

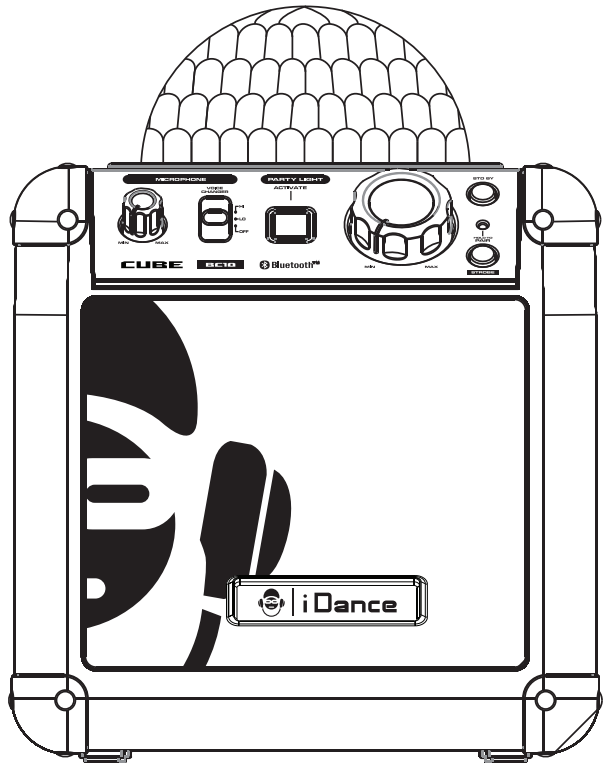


iDance®

CUBE BC10

Bluetooth Speaker System with Built in Light Show

Instruction Manual



English E1-E10

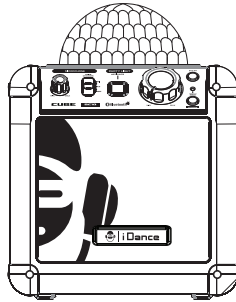
Thank you for purchasing iDance Audio System.

PLEASE READ THIS USER MANUAL COMPLETELY BEFORE OPERATING THIS UNIT AND RETAIN THIS BOOKLET FOR FUTURE REFERENCE.

WHAT'S IN THE BOX

Contents

1. iDance BC10 main unit



2. Power Adaptor (12V DC / 2A)



3. Instruction Manual

4. Microphone x 1



5. Shoulder Strap x 1



WARNINGS

WARNING: TO REDUCE THE RISK OF FIRE OR SHOCK HAZARD, DO NOT EXPOSE THIS PRODUCT TO RAIN OR MOISTURE.



CAUTION

RISK OF ELECTRIC SHOCK
DO NOT OPEN



CAUTION: TO PREVENT THE RISK OF ELECTRIC SHOCK, DO NOT REMOVE COVER OR BACK. NO USER-SERVICEABLE PARTS INSIDE. REFER SERVICING TO QUALIFIED PERSONNEL.

Class II equipment symbol



This symbol indicates that the unit has a double insulation system.



The exclamation mark inside an equilateral triangle is intended to alert user of the presence of important operating and maintenance (servicing) instructions in the literature accompanying the product.



The lightning flash with arrow-head symbol inside an equilateral triangle is intended to alert User of the presence of un-insulated "hazardous voltage" within the product's enclosure, which may be of sufficient magnitude to induce a risk of electric shock to persons.

WARNING

Please do not attempt to open the back cover or power adapter as opening or removing the covers may expose you to dangerous voltage or other hazards, and it will also cause the restricted servicing to be disabled. There are no user servicing components inside.

FCC AND CANADIAN ICES

Warning: Changes or modifications to this unit not expressly approved by the party responsible for compliance could void the user's authority to operate the equipment.


Note: This equipment has been tested and found to comply with the limits for a Class B digital device, pursuant to Part 15 of the FCC Rules. These limits are designed to provide reasonable protection against harmful interference in a residential installation. This equipment generates, uses and can radiate radio frequency energy and, if not installed and used in accordance with the instructions, may cause harmful interference to radio communications. However, there is no guarantee that interference will not occur in a particular installation. If this equipment does cause harmful interference to radio or television reception, which can be determined by turning the equipment off and on, the user is encouraged to try to correct the interference by one or more of the following measures:

- Reorient or relocate the receiving antenna.
- Increase the separation between the equipment and receiver.
- Connect the equipment into an outlet on a circuit different from that to which the receiver is connected.
- Consult the dealer or an experienced radio/TV technician for help.

This equipment complies with FCC RF radiation exposure limits set forth for an uncontrolled environment.

This equipment should be installed and operated with a minimum distance of 20 centimeters between the radiator and your body.

IMPORTANT SAFETY INSTRUCTIONS

1. Read these instructions.
2. Keep these instructions.
3. Heed all warnings.
4. Follow all instructions.
5. Do not use this apparatus near water.
6. Clean only with dry cloth.
7. Do not block any ventilation openings. Install in accordance with the manufacturer's instructions.
8. Do not install near any heat sources such as radiators, heat registers, stoves, or other apparatus (including amplifiers) that produce heat.
9. Do not defeat the safety purpose of the polarized or grounding-type plug. A polarized plug has two blades with one wider than the other. A grounding type plug has two blades and a third grounding prong. The wide blade or the third prong are provided for your safety. If the provided plug does not fit into your outlet, consult an electrician for replacement of the obsolete outlet.
10. Protect the power cord from being walked on or pinched particularly at plugs, convenience receptacles, and the point where they exit from the apparatus.
11. Only use attachments/accessories specified by the manufacturer.
12. Use only with the cart, stand, tripod, bracket, or table specified by the manufacturer, or sold with the apparatus. When a cart is used, use caution when moving the cart/apparatus combination to avoid injury from tip-over. Portable Cart Warning 
13. Unplug this apparatus during lightning storms or when unused for long periods of time.
14. Refer all servicing to qualified service personnel. Servicing is required when the apparatus has been damaged in any way, such as power-supply cord or plug is damaged, liquid has been spilled or objects have fallen into the apparatus, the apparatus has been exposed to rain or moisture, does not operate normally, or has been dropped.
15. The apparatus shall not be exposed to dripping or splashing and no objects filled with liquids, such as vases, shall be placed on the apparatus.
16. The battery shall not be exposed to excessive heat such as sunshine, fire or the like.
17. The MAINS plug is used as the disconnect device, which shall remain readily operable.

FEATURES

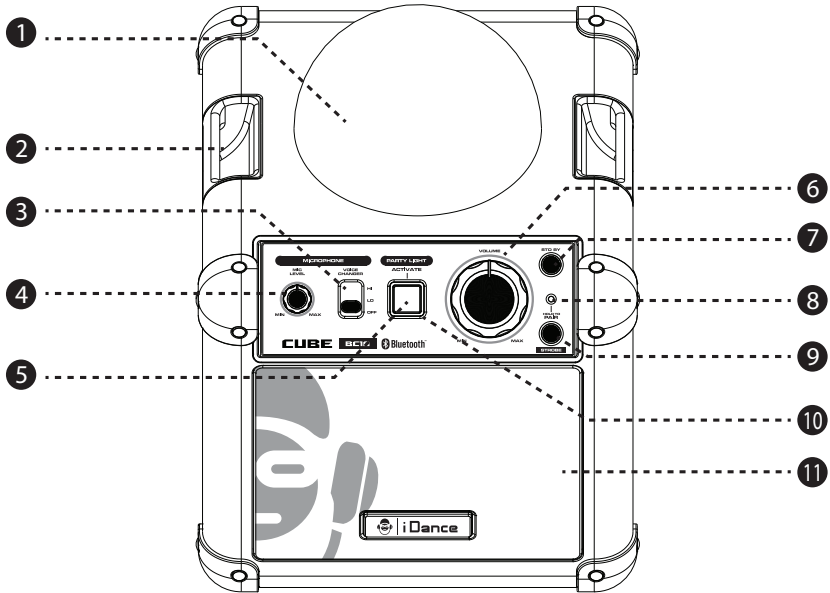
- Supports Bluetooth wireless audio streaming
- Supports A2DP profile(Advanced Audio Distribution Profile)
- Supports automatic device pairing
- Wireless range: 33 feet
- USB charger for smart phone/tablet
- 3.5mm Aux input
- 6.3mm Microphones & Guitar input
- Easy access knob for volume control
- Audio output for external amplifier
- ON/OFF Power Standby Button
- Build-in speaker
- Ultra light weight for perfect mobility
- 15W RMS Power Output

CONTENTS

CONTROL LOCATION	E1-E2
GENERAL OPERATIONS	E3-E5
BLUETOOTH OPERATIONS	E6
AUX-IN OPERATIONS / USING SHOULDER STRAP	E7
CHARGING YOUR PORTABLE DEVICE / ENERGY SAVING	E8
TROUBLESHOOTING	E9
SPECIFICATIONS	E10

CONTROL LOCATION (1.1)

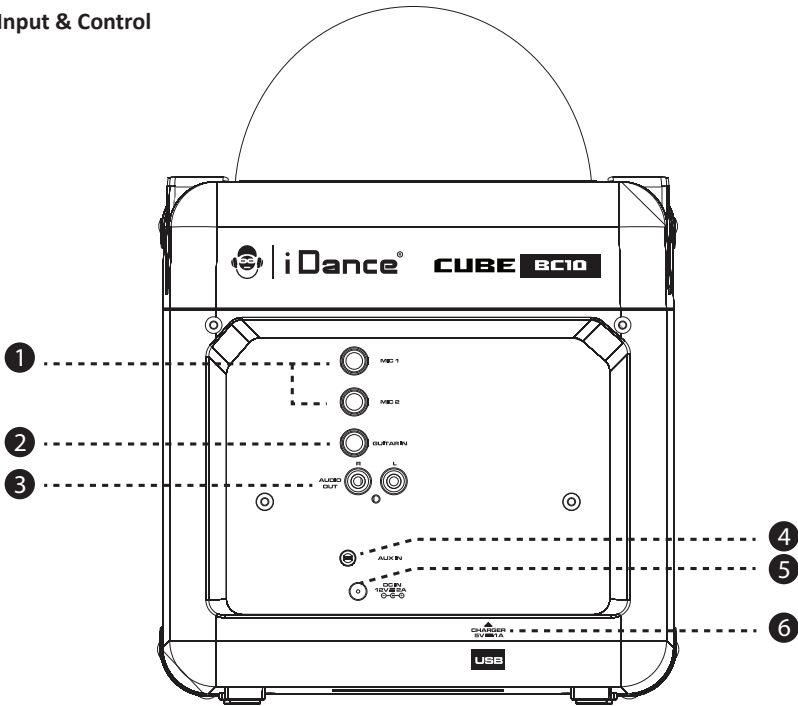
FRONT Panel



- 1. Light Cover Lens**
- 2. BELT Clip**
- 3. Voice Changer Selector**
Select voice changing mode
- 4. MIC Level Control**
Turn to adjust the MIC sound level up or down
- 5. Party Light Activate**
Press to turn on or off the light show
- 6. Volume Control**
Turn to adjust up or down
- 7. STANDBY**
Press to power the unit on or off
- 8. PAIRING Indicator**
- 9. PAIRING**
Press and hold to begin pairing a bluetooth device
- 10. Power Indicator**
- 11. Main Speaker**

CONTROL LOCATION (1.2)

REAR Input & Control



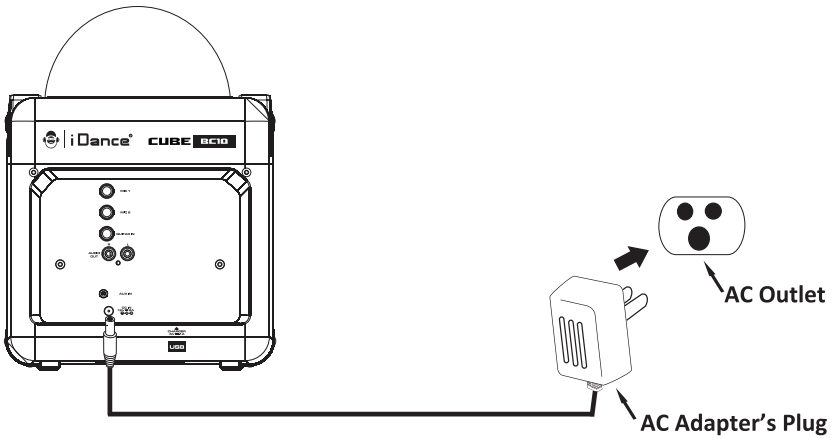
- 1. MIC Input 1, 2**
- 2. GUITAR Input**
- 3. AUDIO Output**
Connect to external amplifier
- 4. AUX Input**
- 5. DC Input**
- 6. USB CHARGER**
Connect to other portable device you wish to charge

GENERAL OPERATIONS

Power Connection

Before using your Bluetooth wireless system, you should connect Power Adaptor to AC outlet.

1. Firmly and securely insert the DC plug of the adaptor to the DC IN jack on the rear of the unit.
2. Plug the adaptor's AC plugs into an AC outlet.
3. Power on the unit by press the STANDBY button on the front of the unit, power indicator will light up.

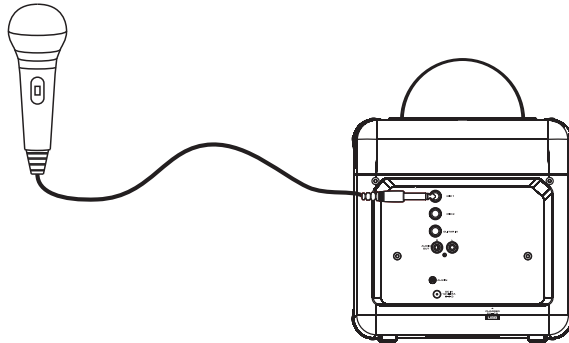


When the unit is not operated by the AC power or unused for long periods of the time, please remove the power adaptor from the wall outlet and unplug from the main unit.

GENERAL OPERATIONS

Mic Connection

1. Plug the microphone into the MIC1 or MIC2 jack on the rear side of your unit. Their output is mixed with playback from BLUETOOTH, **USB PLAYER** or AUX IN.
2. On the microphone, there is an ON/OFF switch. Ensure that you set the switch to ON position during the usage.
3. The volume of microphone can be adjusted by the MIC VOLUME knob on the rear side of the unit together with the speaker volume at the same time. (There is no independent microphone volume control)
4. You can start to sing-along with the music playback.



GENERAL OPERATIONS

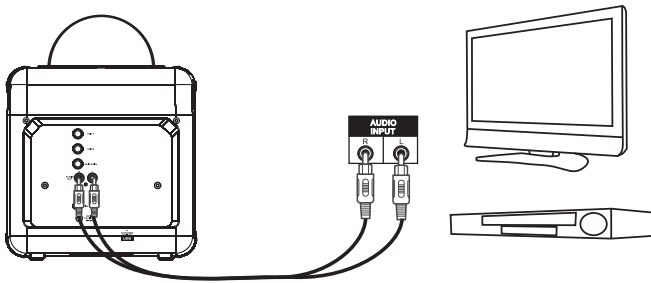
Guitar Connection

Plug the 6.3mm Guitar plug (or other Hi-Z instrument) into the GUITAR IN jack on the rear side of your unit. Their output is mixed with playback from BLUETOOTH, **USB PLAYER** or AUX IN.

AUDIO OUTPUT Connection

Please follow the steps below to connect audio signal from the unit to your home audio system.

1. Locate the RCA cables (not included).
2. Connect audio cable's white and red plugs to the white and red AUDIO OUT jacks of the back panel of your unit.
3. Connect the other ends of the audio cable's white and red plugs to the external unit's audio input white and red jacks.



Voice changer

Slide VOICE CHANGER switch to select HI or LO, you can heard your voice from microphone will be pitched up or down through the speakers of this unit. Slide switch to OFF will turn off voice changer.

Party lighting

Press PARTY LIGHT ACTIVATE button to switch on the party light show. Press again to turn off. If you are change the mode of light show, press the PAIRING button.

BLUETOOTH OPERATIONS

Pairing a Bluetooth Device for the First Time

1. Power on the unit by press the STANDBY button, power indicator will light up and Bluetooth indicator will flash, press and hold the PAIRING button for about 5 seconds. When pairing, remain within 3 feet of the unit.
2. Using the native controls on your Bluetooth device, select the BC10 in your Bluetooth settings to pair. If your device requests a password, enter the default password "0000". Refer to the user's manual for your specific device for instructions on pairing and connecting Bluetooth devices.
3. When successfully paired and connected, a sound "Connected" will issue from the unit and the Bluetooth indicator will remain lit. After initial pairing, the unit will stay paired unless unpaired manually by the user or erased due to a reset of the device. If your device should become unpaired or you find it is unable to connect, repeat the above steps.

Playing Audio Wirelessly

1. After pairing to a Bluetooth device, use the native controls on the connected Bluetooth Device to select a track.
2. Play, pause or skip a selected track using the native controls on the connected Bluetooth Device.
3. Audio played through the connected Bluetooth Device will now be heard through the speakers.
4. Adjust the VOLUME control to obtain the desired volume level.
5. Press STANDBY button again to turn off the unit.

AUX-in OPERATIONS

You can play other music sources (iPod, MP3 or other digital audio players) through the speakers of this unit by connecting the AUX IN JACK to your external player's audio out jack or headphone jack

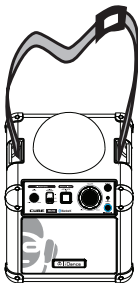
1. Plug one end of a 3.5mm audio input cable (not included) into the AUX IN input on the rear of the unit, and plug the other end of the cable into the audio output on the external music player or other source.
Note: Make sure your external music player is turn ON.
2. Press the STANDBY button to power the unit on and power indicator will light up.
3. Start playing the device you plugged into AUX IN input. Their output is mixed with playback from BLUETOOTH, **USB PLAYER** or MIC IN.
4. Slowly adjust both the volume controls of the unit and the external device until you reach a comfortable listening level.
5. Press STANDBY button again to turn off the unit. Remember to shut down the external player power.

NOTE:

- If you are connected to the Line Out Jack of your external device then you only need to adjust the volume control on the unit. If you're connected to the Headphone Jack of your external device, then you may need to adjust both the volume control of your external device and the BC10 to obtain the most desirable volume setting.
- If you use AUX IN function when playing Bluetooth audio, AUX IN audio will be mixed when the audio cable is plugged in. Unplugging the audio cable will resume Bluetooth audio. We suggest you to stopped playback or disconnected the Bluetooth device when playing music via Line In mode.

USING SHOULDER STRAP

Use SHOULDER STRAP (included) to connect right and left BELT CLIP on top side of unit. You can easy to carrying.



CHARGING YOUR PORTABLE DEVICE

This unit features a USB “CHARGER” port for charging your portable device (iPod, iPhone, Android phone, etc.) when used with the USB charging cord that came with your device.

1. Connecting a power adaptor (see “Power connection”) into the main unit. USB “CHARGER” port can’t control to off by STANDBY button of the unit.
2. Plug one end of the USB cable (not included) into the USB “CHARGER” Port located on the back of the unit. Plug the other end of the cord into the device you wish to charge.
3. Observe the battery charge indicator on your device and the charging will start immediately.
4. Unplug the cable when your device is charged.

CAUTION:

Before charging, please refer to the user manual of the device you wish to charge to make sure the charging current requested does not exceed 1A (1000mA) of charging current. Overloading the charge circuit may damage the unit and void the warranty.

1. The USB “CHARGER” port of this unit supplies a DC 5V output at 1000mA maximum current to charge your portable device battery and it cannot support any other voltage range.
2. Make sure the device you want to charge has a battery charge rating of DC 5V only.
3. The USB “CHARGER” port of this unit is designed for smart phone or portable device battery charging only and it cannot support data transfer or connect to computer.
4. Do not connect the USB port of this unit to other external power charger USB ports, it may damage both units and void the warranty.

NOTE:

1. Some smart phones and portable devices use proprietary USB connections and circuitry, so they may not charge when plugged into the USB port. Please refer to your device user manual before you attempt to charge them.
2. It is normal for the unit to be warm while the USB port is in use and charging your smart phone or portable device.
3. Do not charge your smart phone over 12 hours continuously.

Energy Saving (APS: Auto Power off System)

The unit will automatically switch to Standby mode after 15 minutes following situations described as below:

1. In Bluetooth mode: if there is no connect or Bluetooth Device playback stops.
2. In MIC 1, 2 input: if microphones are switch to OFF.
3. In AUX input: external player playback stops.
Press STANDBY button once again to turn on the unit. APS function is for energy saving purpose

TROUBLESHOOTING

PROBLEM	POSSIBLE CAUSE AND SOLUTION	REMEDY
No Charging	<p>Portable device is not installed properly.</p> <p>Portable device is locked up or frozen.</p> <p>Portable device battery has problem.</p>	<p>Remove your portable device from the charging cord and check for obstruction on the connectors.</p> <p>Please make sure your portable device is working properly before plugging into the unit.</p> <p>Please refer to your portable device manual for details.</p>
No Sound	<p>Power Adaptor disconnected or loose.</p> <p>The AC outlet has not power.</p> <p>Volume set too low.</p>	<p>Check the connection or the Power Adaptor.</p> <p>Try the unit on another outlet.</p> <p>Turn the volume control to increase the sound level.</p>
No sound when playing audio via Bluetooth	<p>Your Bluetooth device has been paired properly.</p> <p>The unit placement out of range.</p> <p>The volume control of your Bluetooth device is set at too low.</p> <p>The volume control of the unit is set at too low.</p>	<p>Pairing your Bluetooth device according to the "Pairing a Bluetooth Device for the First Time" section.</p> <p>Relocate the unit within Bluetooth operating range (30 feet).</p> <p>Increase the volume of your Bluetooth device.</p> <p>Increase the volume of the unit to turn to your wish..</p>
No sound from Mic.	<p>Mic. Level control set at too low.</p> <p>Mic Is off.</p> <p>The Mic is not connected to the Mic jack securely.</p>	<p>Adjust Mic Level control to max, and then re-adjust to a comfortable level.</p> <p>Switch Mic to the ON position.</p> <p>Securely connect the Mic to the Mic jack.</p>
No sound in AUX mode	<p>Volume at minimum.</p> <p>External device not connected properly.</p>	<p>Adjust the volume knob.</p> <p>Clear contacts pins and connect again.</p>

SPECIFICATIONS

Power Requirement: AC/DC Adaptor	AC Input 100-240V ~50/60Hz DC Output DC 12V 2A
Bluetooth:	Bluetooth Specification version 2.1 Support profile A2DP
USB Charging	DC 5V 1A
Audio Power output:	15 W (RMS)
Microphone	600 Ohm Impedance w/6.3mm Dynamic microphone
Speaker:	4 Ohms. 10.2 cm. x1 4.1 cm. x1
Dimensions:	26 cm(H) x 20.2 cm(W) x 20.2 cm(D)
Weight:	1.7 Kg

All features and specifications are subject to change without notice.

Disposal of Old Electrical & Electronic Equipment (Applicable in the European Union and other European countries with separate collection systems).

This symbol on the product or on its packaging indicates that this product shall not be treated as household waste. Instead it shall be handed over to the applicable collection point for the recycling of electrical and electronic equipment. By ensuring this product is disposed of correctly, you will help prevent potential negative consequences for the environment and human health, which could otherwise be caused by inappropriate waste handling of this product. The recycling of materials will help to conserve natural resources. For more detailed information about recycling of this product, please contact your local Civic Office, your household waste disposal service or the shop where you purchased the product.

