

Instruction Manual



Portable Stereo Media Player



Contents

Warnings and Precautions	3
Important Safety and Instructions	5
Warnings	6
Features	7
In the Box	7
Feature Controls	8
Indicator Messages	10
Setup Power	10
Connect Battery Power	11
Connect Headphone or Earphone	12
Using Radio	12
Using CDs	13
Pairing to Bluetooth®	14
Specifications	14
Warranty	15

Warnings and Precautions

Caution:

- TO PREVENT ELECTRIC SHOCK, FULLY INSERT THE PLUG INTO THE OUTLET, ENSURING THE WIDE PRONG IS IN THE CORRECT SLOT.
- Use of any controls or adjustments or performance of procedures other than those herein specified may result in hazardous radiation exposure.
- There is a danger of explosion if batteries are placed incorrectly.

Warning:

- To reduce the risk of fire or electric shock, do not expose this apparatus to rain or moisture.
- Changes or modifications to this unit not expressly approved by the party responsible for compliance could void the user's authority to operate the equipment.
- Do not place the unit on top of any soft, porous, or sensitive surfaces to avoid damaging the surface. Use a protective barrier between the unit and surface to protect the surface.
- Use of this unit near fluorescent lighting may cause interference.
- There is a danger of explosion if you attempt to charge standard alkaline batteries in the unit. Only use rechargeable NiMH batteries.
- Shock hazard - Do Not Open.
- Mains plug is used as disconnect device and it should remain readily operable during intended use. In order to disconnect the apparatus from the main completely, the mains plug should be disconnected from the mains socket outlet completely.
- Do not mix old and new batteries. Do not mix alkaline, standard (carbon-zinc), or rechargeable (ni-cad, ni-mh, etc.) batteries.



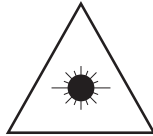
WARNING: TO REDUCE THE RISK OF ELECTRIC SHOCK, DO NOT REMOVE COVER (OR BACK). NO USER-SERVICEABLE PARTS INSIDE. THIS UNIT MUST BE SERVICED BY QUALIFIED SERVICE PERSONNEL.



The lighting flash with arrowhead symbol, within an equilateral triangle, is intended to alert the user to the presence of uninsulated “dangerous voltage” within the product’s enclosure that may be of sufficient magnitude to constitute a risk of electric shock.



The exclamation point within an equilateral triangle is intended to alert the user to the presence of important operating and maintenance (servicing) instructions in the literature accompanying the appliance.



This product utilizes a Class 1 laser to read Compact Discs. The laser Compact Disc Player is equipped with safety interlocks to avoid exposure when the CD door is open and the safety interlocks are defeated. Invisible laser radiation is present when the CD Player’s lid is open and the system’s interlock has failed or been defeated. It is very important that you avoid direct exposure to the laser beam at all times. Please do not attempt to defeat or bypass the safety switches.

Important Safety Instructions

1. Please read, follow and keep these instructions and comply with all recommended cautions.
2. Do not use this unit near water.
3. Clean with a dry cloth only.
4. Do not block ventilation openings.
5. Do not place the unit near any heat sources such as radiators, heat registers, stoves, or other apparatus (including amplifiers) that produce heat.
6. Follow safety precautions and use a polarized or grounded-type plug. A polarized plug has two blades with one prong wider than the other. A grounded-type plug has two prongs and a third grounding prong. The wide blade or the third prongs are provided for your safety. If the provided plug does not fit your outlet, consult an electrician for replacement of the obsolete outlet.
7. Protect the power cord from being walked on or pinched, particularly at plugs, or where they exit the unit.
8. Only use attachments and accessories specified by the manufacturer.
9. Unplug the unit during lightning storms or when unused for long periods of time.
10. Refer all service needs to qualified service personnel. Servicing is required if the unit has been damaged in any way, such as power cord (or plug damage), if liquid has been spilled or objects have fallen into the unit, if exposed to rain or moisture, or if dropped and not working properly.

FCC Warnings

NOTE: This equipment has been tested and found to comply with the limits for a Class B digital device, pursuant to Part 15 of the FCC Rules. These limits are designed to provide reasonable protection against harmful interference in a residential installation. This equipment generates, uses, and can radiate radio frequency energy and, if not installed and used in accordance with the instructions, may cause harmful interference to radio communications. However, there is no guarantee that interference will not occur in a particular installation. If this equipment does cause harmful interference to radio or television reception, which can be determined by turning the equipment off and on, the user is encouraged to try to correct the interference by one or more of the following measures:

- Reorient or relocate the receiving antenna.
- Increase the separation between the equipment and receiver.
- Connect the equipment into an outlet on a circuit different from that to which the receiver is connected.
- Consult the dealer or an experienced radio / TV technician for help.

Additional Warnings

- Changes or modifications to this unit not expressly approved by the party responsible for compliance could void the user's authority to operate the equipment.
- The device has been evaluated to meet general RF exposure requirement. The device can be used in portable exposure condition without restriction.
- The apparatus shall not be exposed to dripping or splashing and that no objects filled with liquids, such as vases, shall be placed on apparatus.
- Battery shall not be exposed to excessive heat such as sunshine, fire or the like.
- Caution marking is located at the rear or back of the apparatus.
- The marking information is located at the rear or back of apparatus.



This symbol indicates that this product incorporates double insulation between hazardous mains voltage and user accessible parts.

Features

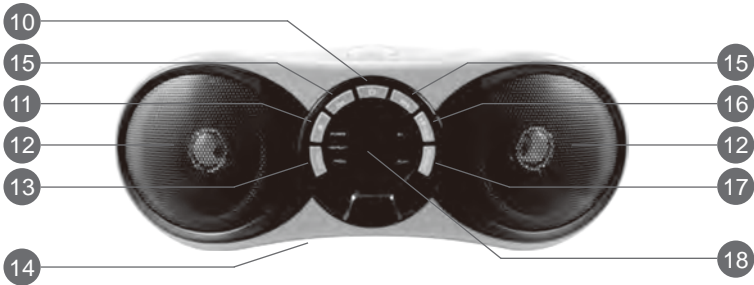
- CD Player: Supports CD-R/RW
- FM Radio
- Bluetooth® 2.1
- LED Display
- Headphones Jack
- Built-in Speakers
- DC Power: Requires DC batteries for DC power (not included)
- AC Power: Requires AC/DC Adapter (included)

In the Box

- AudioMVP™
- Power Supply
- Instruction Manual



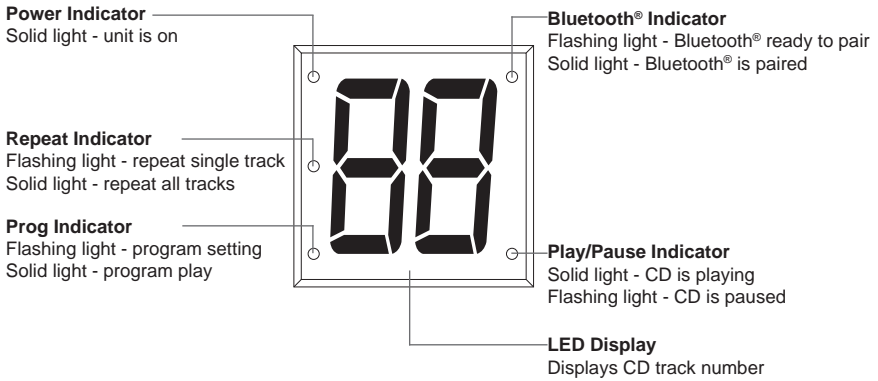
Feature Controls



Feature Controls

1. **Carry Handle:** Pull up the handle to carry unit.
2. **Headphone Jack:** Connect to earbuds or headphones.
3. **Volume Dial:** Rotate to adjust volume level.
4. **CD Door:** Open the door to insert disc.
5. **ROD Antenna:** Extend the antenna for better FM reception.
6. **DC Input Jack:** Connect power adapter for power.
7. **Source Selector:** Switch the selector between FM/CD/BT (Bluetooth®).
8. **Tuning Knob:** Rotate knob to search for radio frequency.
9. **Open CD Door Tab:** Press tab to open CD door.
10. **Power Button:** Press to power On/Off.
11. **Stop Button:** Press to stop playing CD.
12. **Speakers:** Built-in speakers.
13. **Prog (Program):** Press to program tracks in desired order.
14. **Batteries Compartment:** Insert DC batteries for DC power.
15. **Skip/Search:** Press to skip between CD tracks. Press and hold to fast-forward or fast-rewind the current track on CD.
16. **Play/Pause/Pair Button:** Press to play or pause CD. Hold the button to start Bluetooth® pairing.
17. **Repeat:** Press to repeat playback of single track or all tracks on CD.
18. **Display and Indicator:** Show CD track and status.

Indicator Messages



Setup Power

Connect Power Adapter:

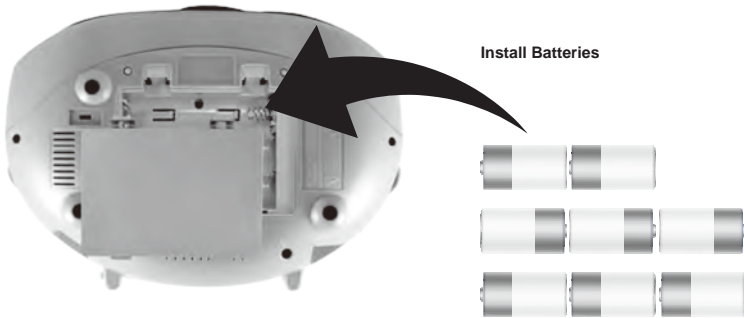
Plug the included AC adapter into the standard AC power outlet to power the **AudioMVP™** (HB100BT2). Connect small end to **DC Input** jack on the unit. After connecting the adapter, press the **Power** button to turn unit on. Press same **Power** button to turn off.



Connecting Batteries:

Remove the battery compartment cover on the bottom of the unit by lifting up the two tabs on the battery cover and lifting away. Insert eight (8) "C" batteries (not included) according to the polarity markings and replace cover. Press the **Power** button to turn unit on.

- For battery operation, unplug the adapter first and remove the DC plug from the DC jack of the unit.
- Batteries should not be exposed to excessive heat such as sunlight or fire.
- Be sure the batteries are installed in the correct polarity.
- Do not mix old and new batteries.
- Only same or equivalent type batteries are recommended.
- If unit is not used for an extended period of time, remove batteries.
- Do not dispose of batteries in fire, as they may explode or leak. Do not try to recharge batteries.



Connecting Headphones or Ear Buds

If you would like to listen to your music privately with a headphone, simply plug your headphone into the **Headphone** jack, located on the left side of the unit. Compatible headphones have a 3.5mm diameter stereo plug and an impedance of 8-32 Ohms. When your headphone is connected, the stereo speakers are automatically disconnected.



*Headphone not included

Using the Radio

Built-in Radio Receiver for FM band.

1. Connect power (follow Setup Power page 10.)
2. Slide **Source** selector to **FM** position.
3. Rotate the **Tuning** knob to search the desired station.
4. Rotate the **Master Volume** dial to select the sound level.

Note: To obtain the best **FM reception**, fully extend the FM antenna.

Using CDs

Loading CDs:

1. Connect power (Follow Setup Power page 10.)
2. Press the **CD Door Open Tab** to open the **CD Door**.
3. Place a **CD** into the **CD** compartment. Close the **CD Door**.
Note: This unit can play CD Disc formats only.
4. Switch **Source** selector to **CD** position, in a few seconds total number of tracks will appear on the display.

Playing CDs:

1. Follow the instructions for Loading a Disc.
2. Press the **Play/Pause** button to begin playing the loaded disc.
The **Play/Pause** indicator will light up.
3. Rotate the **Master Volume** dial to select the sound level.
4. To temporarily stop playing, press the **Play/Pause** button once.
To resume play, press the **Play/Pause** button again.
5. Press **Skip/Search** buttons to skip between tracks.
6. Hold the **Skip/Search** buttons to fast search through the track.
7. Press the **Stop** button to stop playing.

Track Programming (Up to 20 Tracks):

1. Load a CD.
2. Press the **Prog** button, the **Prog** indicator will turn on and a flashing programmable number will show on display.
3. Press the **CD Skip** buttons to select the track.
4. Press the **Prog** button to confirm.
5. Repeat steps 3 and 4 to program to play in a specific order.

Repeat Source:

1. Follow the instructions for Loading CDs and Playing CDs.
2. Press the **Repeat** button, the **Repeat** indicator will turn on and flash.
The unit will play the current track repeatedly.
3. Press the **Repeat** button until the **Repeat** indicator is a solid light,
unit will play the entire disc repeatedly.
4. To cancel the repeat function, press repeatedly the **Repeat** button until the **Repeat** indicator light turns off or press the **Stop** button twice to stop.

Pairing to Bluetooth® Enabled Device

1. Enable Bluetooth® scanning feature on your device.
2. Press the **Power** button to turn **AudioMVP™** on, switch the **Source** selector to BT position - **Bluetooth®** indicator will flash for approximately 15 seconds. If no Bluetooth® device is detected, it will go into sleep mode.
3. Once your device detects **HB100BT2** on the Bluetooth® scan, select it. **Note:** If you cannot connect, press and hold **Pairing** button on **AudioMVP™** to reconnect again.
4. When successfully paired (**Bluetooth®** indicator light will stay solid), you are now ready to play music wirelessly from your Bluetooth® enabled device.
5. Press the **Play** button of your **AudioMVP™** or external Bluetooth® device to start music playback. Press again to pause.
6. Press the **Skip/Search** button on **AudioMVP™** or external Bluetooth® device to switch between music tracks.

Specifications	
AC/DC Power Adapter	AC input 120/60 Hz DC output 9V 0.8A
Battery	DC 12V, LR14, "C" size or UM2 Batteries x 8 pcs
CD Player	Supports 4.75, 3.25 inch CDs
Bluetooth®	Supports v2.1+EDR
FM Frequency	88-108MHz
Power Output	1.2W x2 (RMS)
Loud Speakers Spec	3 inch, 2 watt, 8 Ohm

*Specifications are subject to improvements without notice.

Product Registration Instructions



Visit: www.HamiltonBuhl.com

1. Click on Customer Care
2. Click on Product Registration Icon
3. Please fill out all fields marked with * to register

Warranty:

Warranty begins the date item ships from our warehouse. All products, except for metal carts, have a one year warranty from original date of shipment, unless otherwise noted. Metal carts have a limited lifetime warranty on all housing components; however, carts have a one year warranty on any electrical / mechanical components.

Our Mission:

Since our founding in 1933, HamiltonBuhl continues to evolve as a leader in technology products for education and industry. Our products are embraced by educators, corporate trainers, presenters, government agencies, and hospitals for their daily presentation, from the classroom to the boardroom, HamiltonBuhl has the presentation product for you.



80 Little Falls Road
Fairfield, NJ 07004
1-800-631-0868
www.HamiltonBuhl.com