

50mm

28mm



**PORTABLE STEREO COMPACT DISC PLAYER WITH
AM/FM STEREO RADIO AND BLUETOOTH**

Model: CD-560

Frequency: FM 87.5-108MHz, AM 530-1710KHz

Power Supply:

AC 120V ~ 60Hz 16W

DC =12V (8x1.5V) "C" size, UM-2 Batteries

THIS DEVICE COMPLIES WITH PART 15 OF THE FCC RULES.
OPERATION IS SUBJECT TO THE FOLLOWING TWO CONDITIONS. (1)
THIS DEVICE MAY NOT CAUSE HARMFUL INTERFERENCE, AND (2) THIS
DEVICE MUST ACCEPT ANY INTERFERENCE RECEIVED, INCLUDING
INTERFERENCE THAT MAY CAUSE UNDESIRED OPERATION.

THIS PRODUCT COMPLIES WITH DHHS RULES 21 CFR CHAPTER
1 SUBCHAPTER J AT DATE OF MANUFACTURE.



US

CONFORMS TO
ANSI/UL STD.
60065

Intertek
3183565

FCC ID No:SSMMEF18BT



MADE IN CHINA

50mm

28mm

MET

**PORTABLE STEREO COMPACT DISC PLAYER WITH
AM/FM STEREO RADIO AND BLUETOOTH**

Model: MET-18BT

Frequency: FM 87.5-108MHz, AM 530-1710KHz

Power Supply:

AC 120V ~ 60Hz 16W

DC =12V (8x1.5V) "C" size, UM-2 Batteries

**THIS DEVICE COMPLIES WITH PART 15 OF THE FCC RULES.
OPERATION IS SUBJECT TO THE FOLLOWING TWO CONDITIONS. (1)
THIS DEVICE MAY NOT CAUSE HARMFUL INTERFERENCE, AND (2) THIS
DEVICE MUST ACCEPT ANY INTERFERENCE RECEIVED, INCLUDING
INTERFERENCE THAT MAY CAUSE UNDESIRABLE OPERATION.**

**THIS PRODUCT COMPLIES WITH DHHS RULES 21 CFR CHAPTER
1 SUBCHAPTER J AT DATE OF MANUFACTURE.**



Intertek
3183565

**US CONFORMS TO
ANSI/UL STD.
60065**

FCC ID No:SSMMEF18BT



MADE IN CHINA

50mm

JENSEN
 PORTABLE STEREO COMPACT DISC PLAYER WITH
 AM/FM STEREO RADIO AND BLUETOOTH
 Model: CD-560
 Frequency: FM 87.5-108MHz, AM 530-1710KHz
 Power Supply:
 AC 120V ~ 60Hz 16W
 DC=12V (8x1.5V) "C" size, UM-2 Batteries

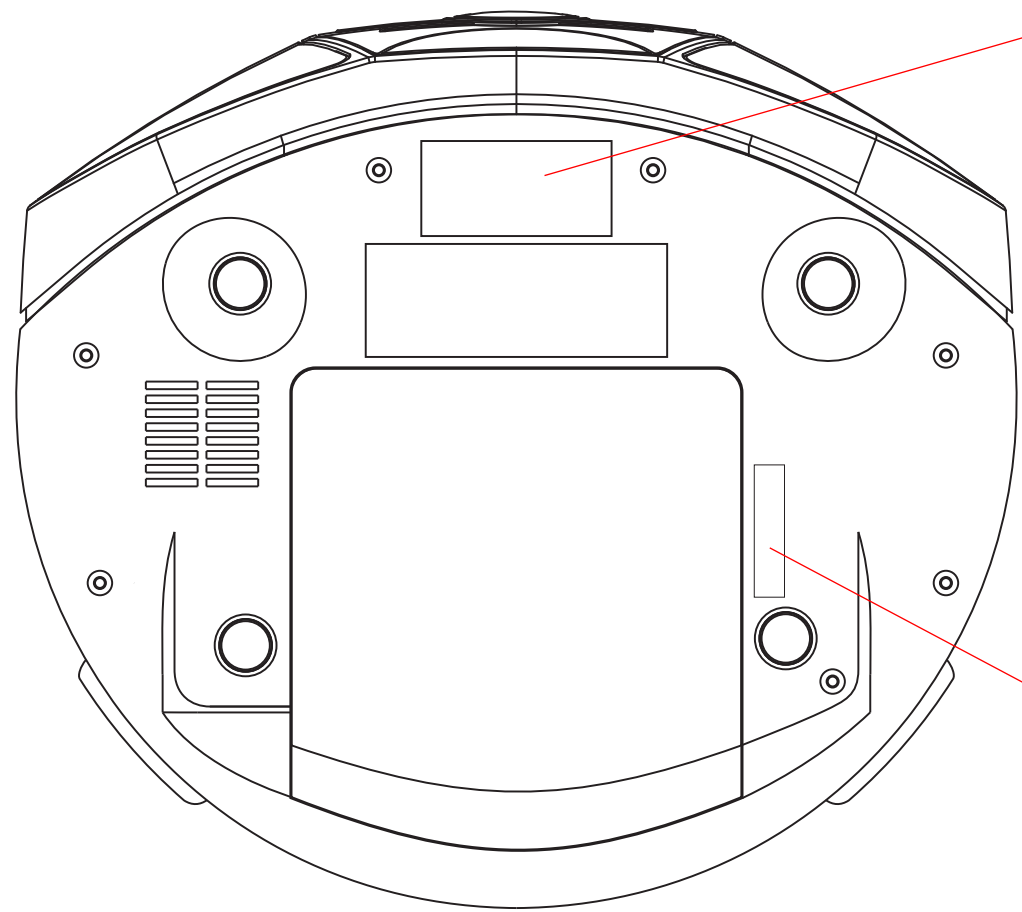
ETL
 LISTED
 Intertek
 3183565
 FCC ID No:SSMMEF18BT

US CONFORMS TO
 ANSI/UL STD.
 60065

THIS DEVICE COMPLIES WITH PART 15 OF THE FCC RULES. OPERATION IS SUBJECT TO THE FOLLOWING TWO CONDITIONS: (1) THIS DEVICE MAY NOT CAUSE HARMFUL INTERFERENCE AND (2) THIS DEVICE MUST ACCEPT ANY INTERFERENCE RECEIVED, INCLUDING INTERFERENCE THAT MAY CAUSE UNDESIRABLE OPERATION.
 THIS PRODUCT COMPLIES WITH DHS RULES 21 CFR CHAPTER 1 SUBCHAPTER J AT DATE OF MANUFACTURE.

MADE IN CHINA

28mm



35mm

8mm

Manufactured: December 2013
 S/N: 20131210001