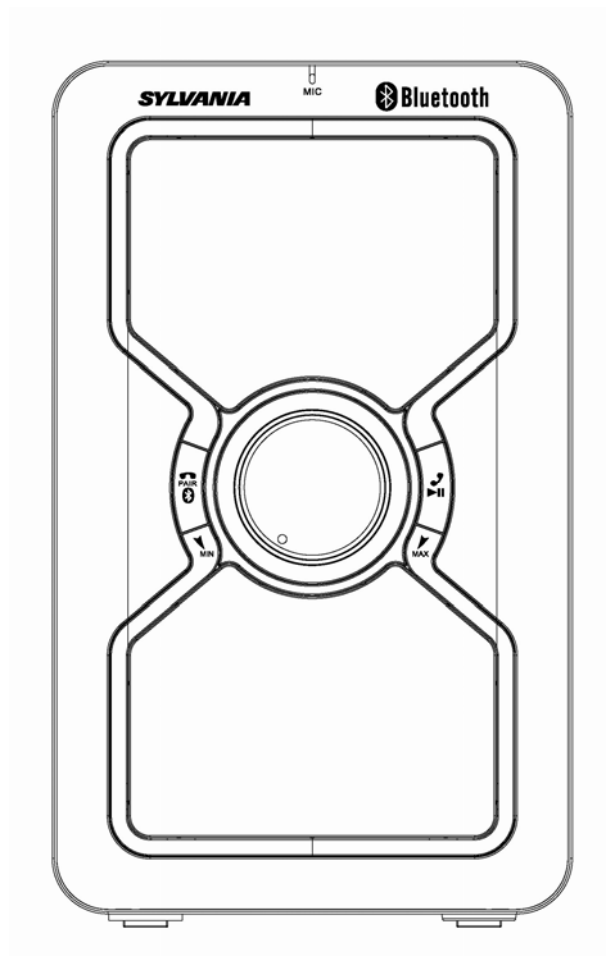


SYLVANIA

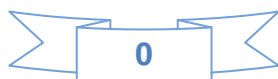
SP015

Bluetooth Speaker with Hands-free



Instruction Manual

Please read before using





CAUTION
RISK OF ELECTRIC SHOCK
DO NOT OPEN



CAUTION: TO REDUCE THE RISK OF ELECTRIC SHOCK, DO NOT REMOVE COVER (OR BACK). NO USER-SERVICEABLE PARTS INSIDE. REFER SERVICING TO QUALIFIED SERVICE PERSONNEL.



DANGEROUS VOLTAGE: The lightning flash with arrowhead symbol within an equilateral triangle is intended to alert the user to the presence of uninsulated dangerous voltage within the product's enclosure that may be of sufficient magnitude to constitute a risk of electric shock to persons.



ATTENTION: The exclamation point within an equilateral triangle is intended to alert the user to the presence of important operating and maintenance (servicing) instructions in the literature accompanying the appliance.



WARNING: Users of this product are cautioned not to make modifications or changes that are not approved by MEM-CE, LLC., doing so may void the compliance of this product and may result in the loss of the user's authority to operate the equipment.

CAUTION: TO PREVENT ELECTRIC SHOCK, MATCH WIDE BLADE OF PLUG TO WIDE SLOT AND FULLY INSERT.

This device complies with part 15 of the FCC Rules. Operation is subject to the following two conditions: (1) This device may not cause harmful interference, and (2) this device must accept any interference received, including interference that may cause undesired operation.

NOTE: This equipment has been tested and found to comply with the limits for a Class B digital device, pursuant to part 15 of the FCC Rules. These limits are designed to provide reasonable protection against harmful interference in a residential installation. This equipment generates, uses and can radiate radio frequency energy and, if not installed and used in accordance with the instructions, may cause harmful interference to radio communications. However, there is no guarantee that interference will not occur in a particular installation. If this equipment does cause harmful interference to radio or television reception, which can be determined by turning the equipment off and on, the user is encouraged to try to correct the interference by one or more of the following measures:

- Reorient or relocate the receiving antenna.
- Increase the separation between the equipment and receiver.
- Connect the equipment into an outlet on a circuit different from that to which the receiver is connected.
- Consult the dealer or an experienced radio/TV technician for help.

The device has been evaluated to meet general RF exposure requirement. The device can be used in portable exposure condition without restriction.

CAUTION: Any changes or modifications not expressly approved by the party responsible for compliance could void the user's authority to operate the equipment.

IMPORTANT SAFETY INSTRUCTIONS

1. Read these Instructions.
2. Keep these Instructions.
3. Heed all Warnings.
4. Follow all Instructions.
5. Do not use this apparatus near water.
6. Clean only with a dry cloth.
7. Do not block any of the ventilation openings. Install in accordance with the manufacturer's instructions.
8. Do not install near any heat sources such as radiators, heat registers, stoves, or other apparatus (including amplifiers) that produce heat.
9. Do not defeat the safety purpose of the polarized or grounding-type plug. A polarized plug has two blades with one wider than the other. A grounding-type plug has two blades and a third grounding prong. The wide blade or the third prong are provided for your safety. When the provided plug does not fit into your outlet, consult an electrician for replacement of the obsolete outlet.
10. Protect the power cord from being walked on or pinched particularly at plugs, convenience receptacles, and the point where they exit from the apparatus.
11. Only use attachments/accessories specified by the manufacturer.
12. Unplug this apparatus during lightning storms or when unused for long periods of time.
13. Refer all servicing to qualified service personnel. Servicing is required when the apparatus has been damaged in any way, such as power-supply cord or plug is damaged, liquid has been spilled or objects have fallen into the apparatus, the apparatus has been exposed to rain or moisture, does not operate normally, or has been dropped.
14. **WARNING:** To reduce the risk of fire or electric shock, do not expose this apparatus to rain or moisture. Do not place objects filled with water, such as a vase, on the apparatus.
15. The AC mains plug is used as the power disconnect device and it should remain readily accessible and operable during intended use. In order to completely disconnect the apparatus from power, the mains plug should be completely removed from the AC outlet socket.

Table of Contents

Your Bluetooth speaker with Hands-free.....	2
Features	
Includes	
Charging instructions	2
Charging the battery for first time	
Recharging the internal battery	
Battery Note and Care	
Orientation	3
Features & Controls	
Bluetooth operation	5
Pairing a Bluetooth Device for the First Time	
Playing Audio Wirelessly	
Using a Hands-free Speakerphone	
Auxiliary operation	6
Specifications	7
Trouble Shooting	8

Your Bluetooth speaker with handfree

Features

- Supports Bluetooth v2.1
- Supports profile A2DP / AVRCP
- Supports automatic device pairing
- Wireless range: 33 feet
- Pairing button
- Play/pause button
- Skip forward/back button
- On/off button
- Volume control
- Bluetooth/AUX indicator
- Charge indicator
- 3.5mm audio input
- Build-in rechargeable battery

Includes

- USB Cable
- User manual

Charging instructions

This unit operates on a built-in Li-ion battery that can be recharged either using the USB port on your computer or from a USB power adaptor (not included) with a rated output of DC 5V/500mA and up.

Note: The micro USB DC IN port located on this unit is only designed for charging the built-in Li-ion battery.

Charging the battery for first time

1.) Charge the built-in Li-ion battery a minimum of 3 hours prior to first use.

Plug the unit into the USB port on your computer or into a USB power adaptor (not included) using the included USB cable.

2.) The **BATTERY CHARGING INDICATOR** will turn "ON" while charging and turn "OFF" when the unit is fully charged. Unplug the USB cable from the power source once the battery is fully charged.

Recharging the internal battery

After prolonged use, the internal battery will become weak and the operation may become intermittent. When the internal battery is low, the **BATTERY CHARGING INDICATOR** will turn ON and FLASH alerting you to recharge the internal battery as soon as possible.

Plug the unit into a USB port on your computer or into a DC 5V/500mA and up USB power adaptor (not included) using the included USB cable. Disconnect the USB cable from the speaker as soon as it is fully charged.

- Note:**
1. Charging time will vary if you are listening to music while charging the internal battery. We recommend you switch off the unit power during the charging process.
 2. To prolong the life of a rechargeable battery, it is recommended to completely discharge it before fully charging it again.
 3. Rechargeable batteries need to be cycled for maximum performance and longer battery life. If you don't use the player that often, be sure to recharge the battery at least once a month in order to keep the internal battery working properly.

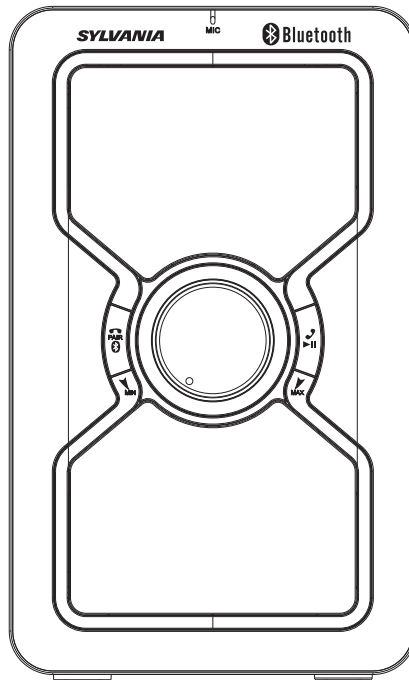
Battery Note and Care

- Do not burn or bury batteries.
- Do not puncture or crush.
- Do not disassemble.
- Do not dispose of batteries in fire, batteries may explode or leak
- Li-ion batteries must be recycled. Do not dispose of in the trash.
- Use only chargers rated for Li-ion cells. Be sure the charger's voltage and current settings are correct for the battery pack being charged.
- Charge batteries on a fireproof surface and away from flammable items or liquids.
- Batteries should NEVER be left unattended while charging. Only adults should charge the batteries.
- Follow the manufacturer's instructions for charging the product and do not charge longer than recommended. Unplug the charger when the battery is charged or not in use.

Orientation

Features & Controls

Microphone



Battery charging indicator

The indicator will turn on while charging and turn off when the unit is fully charged.

When indicator flash light indicated battery low.



In telephone mode, press to end the call or reject an incoming call.

In Bluetooth mode, press and hold to begin pairing to a device.

Volume

Turn to adjust volume up or down.

Bluetooth / AUX indicator

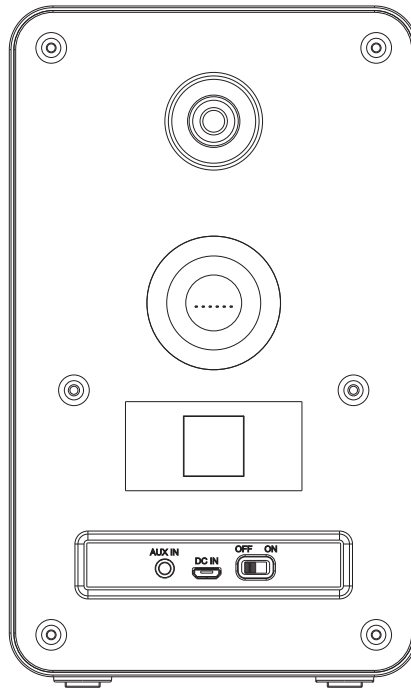
In Bluetooth mode, indicator will flash blue to ask for pairing. When paired with a device, indicator will glow steadily. In AUX mode, indicator will light green..



After successfully pairing the Bluetooth device, tap to play or pause the playback song. When telephone ringing, tap to receiving an incoming call.

Power indicator

AUX Input
Plugged 3.5mm audio cable
from external music player.





POWER
Slide switch the power on or off.



MICRO USB
DC input port.

Bluetooth operation

Pairing a Bluetooth Device for the First Time







1. Power on the unit by slide the **Power** switch, power indicator will turn on.
2. Press and hold the  / **PAIR**  button on the front of the unit, Bluetooth/AUX indicator will flash blue to ask for pairing.
3. Turn on Bluetooth functionality on your device and make it discoverable (see your device's instructions to add or setup a Bluetooth device).
4. Using the native controls on your Bluetooth device, select the **SP015** in your Bluetooth settings to pair. If your device requests a password, enter the default password "0000".
Refer to the user's manual for your specific device for instructions on pairing and connecting Bluetooth devices.
5. When successfully paired and connected, a sound "Ding-dong" will issue from the unit and the **BLUETOOTH/AUX** indicator will remain lit.
After initial pairing, the unit will stay paired unless unpaired manually by the user or erased due to a reset of the device. If your device should become unpaired or you find it is unable to connect, repeat the above steps.

Playing Audio Wirelessly

1. After pairing to a Bluetooth device, use the native controls on the connected Bluetooth Device to select a track.
2. Play, pause a selected track using the unit  /  button control or the native controls on the connected Bluetooth Device.
3. Audio played through the connected Bluetooth Device will now be heard through the speakers.
4. Adjust the **VOLUME** to obtain the desired volume level.
5. Slide **POWER** switch to turn off the unit.

Using a hands-free speakerphone

To use **SP015** as a speakerphone for receiving a phone call from a Bluetooth enabled phone.

1. Following the "Pairing a Bluetooth Device for the First Time" section to set up the Bluetooth connection with your Smartphone.
2. When a call received during music is playing, the music will be replaced by the ringtone. Press the  /  button once to answer the call.
3. Use the **VOLUME** knob to adjust the desired volume level.
4. To ignore an incoming call, simply press the  / **PAIR**  button, the call was ignored.
5. When the call is completed, press  / **PAIR**  button once to end the call. If you were playing music from your cell phone to the **SP015** before answering the call, the music will automatically resume playing when you hang up.

Auxiliary operation

3.5mm audio input cable not included.

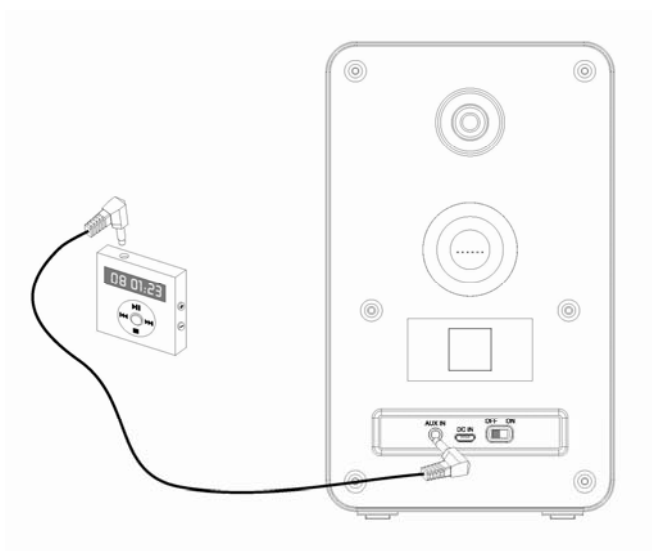
1. Plug one end of a 3.5mm audio input cable into the **AUX IN** input on the rear of the unit, and plug the other end of the cable into the audio output on the external music player or other source.

Note: Make sure your external music player is turn ON.

2. Slide the **POWER** switch to power the unit on. **BLUETOOTH / AUX** indicator will light green.
3. Start playing the device you plugged into the **AUX IN** input.
4. Slowly adjust both the **VOLUME** control of your SP015 and the external device until you reach a comfortable listening level.


Note :

- If you connect the **SP015** to the Line-Out Jack of your external device, you only need to adjust the **VOLUME CONTROL** of the **SP015**. If you connect to the Headphone Jack of your external device, you may need to adjust both the volume controls of your external device and the **SP015** to obtain the desirable listening level.
- Remember to turn off the **SP015** when you have finished listening. Don't forget to switch off the power of your external audio device as well.



Specification

Power Requirement:

DC input : DC 5V  500mA (Micro USB)
Battery: built-in rechargeable lithium battery
Bluetooth: Bluetooth Specification version 2.1
Support profile A2DP / AVRCP
Audio Power output: 2W (RMS)
Speaker: 4 Ohms. 2 inch x2
Dimensions: cm(H) x cm(W) x cm(D)
Weight: ? ? Kg.

Trouble Shooting

PROBLEM	POSSIBLE CAUSE	REMEDY
GENERAL		
No Charging	<p>The USB power adaptor (not included) is not plugged into a wall outlet or the USB cable (included) is not plugged into the mini USB jack on the unit.</p> <p>Wall outlet is not functioning.</p> <p>Computer USB port is not functioning.</p>	<p>Plug the USB power adaptor (not included) into a wall outlet and plug the USB cable (included) into the mini USB jack on the unit..</p> <p>Plug another device into the same outlet to confirm the outlet is working.</p> <p>Make sure your computer power is turned on and try another USB port.</p>
No Sound	<p>The unit battery is exhausted.</p> <p>Volume set too low.</p>	<p>Recharge the unit battery.</p> <p>Press the volume+ button to increase the sound level.</p>
BLUETOOTH		
No sound when playing audio via Bluetooth	<p>Your Bluetooth device has been paired properly.</p> <p>The unit placement out of range.</p> <p>The volume control of your Bluetooth device is set at too low.</p> <p>The volume control of the main unit is set at too low.</p>	<p>Pairing your Bluetooth device according to the “Pairing a Bluetooth Device for the First Time” section.</p> <p>Relocate the unit within Bluetooth operating range (33 feet).</p> <p>Increase the volume of your Bluetooth device.</p> <p>Increase the volume of the main unit to turn to your wish..</p>
AUXILIARY		
No sound in AUX mode	<p>Volume at minimum.</p> <p>External device not connected properly.</p>	<p>Adjust the volume knob.</p> <p>Clear contact pins and connect again.</p>