

memorex™

MODEL NO. MET1297

OUTDOOR BLUETOOTH SPEAKER

INSTRUCTION MANUAL



PLEASE READ BEFORE OPERATING THIS EQUIPMENT

Warnings and Precautions

TO PREVENT FIRE OR SHOCK HAZARDS, DO NOT EXPOSE THIS UNIT TO RAIN OR MOISTURE.



This symbol, located on back or bottom of the unit, is intended to alert the user to the presence of uninsulated “dangerous voltage” within the product’s enclosure that may be of sufficient magnitude to constitute a risk of electric shock to persons.



This symbol, located on back or bottom of the unit, is intended to alert the user to the presence of important operating and maintenance (servicing) instructions in the literature accompanying the appliance.



This product utilizes a Class 1 laser to read Compact Discs. This laser Compact Disc Player is equipped with safety switches to avoid exposure when the CD door is open and the safety interlocks are defeated. Invisible laser radiation is present when the CD Player’s lid is open and the system’s interlock has failed or been defeated. It is very important that you avoid direct exposure to the laser beam at all times. Please do not attempt to defeat or bypass the safety switches.

CAUTION: TO PREVENT ELECTRIC SHOCK, MATCH WIDE BLADE OF PLUG TO WIDE SLOT, FULLY INSERT.

To reduce the risk of electric shock, do not remove cover (or back). There are no user-serviceable parts inside. Please refer any servicing to qualified service personnel.

WARNING: Changes or modifications to this unit not expressly approved by the party responsible for compliance could void the user’s authority to operate the equipment.

- Do not mix old and new batteries.
- Do not mix alkaline, standard (carbon-zinc), or rechargeable (ni-cad, ni-mh, etc) batteries.

NOTE: This equipment has been tested and found to comply with the limits for a Class B digital device, pursuant to Part 15 of the FCC Rules. These limits are designed to provide reasonable protection against harmful interference in a residential installation. This equipment generates, uses, and can radiate radio frequency energy and, if not installed and used in accordance with the instructions, may cause harmful interference to radio communications. However, there is no guarantee that interference will not occur in a particular installation. If this equipment does cause harmful interference to radio or television reception, which can be determined by turning the equipment off and on, the user is encouraged to try to correct the interference by one or more of the following measures:

- Reorient or relocate the receiving antenna.
- Increase the separation between the equipment and receiver.
- Connect the equipment into an outlet on a circuit different from that to which the receiver is connected.
- Consult the dealer or an experienced radio/TV technician for help.
- This device complies with Part 15 of the FCC Rules. Operation is subject to the following two conditions: (1) this device may not cause harmful interference, and (2) this device must accept any interference received, including interference that may cause undesired operation. Changes or modifications not expressly approved by the party responsible for compliance could void the user’s authority to operate the equipment.
- The device has been evaluated to meet general RF exposure requirement. The device can be used in portable exposure condition without restriction.

Important Safety Instructions

- Read Instructions** - All the safety and operating instruction should be read before the product is operated.
- Retain Instructions** - The safety and operating instruction should be retained for future reference.
- Heed Warnings** - All warning on the product and in the operating instructions should be adhered to.
- Follow instructions** - All operating and use instructions should be followed.
- Cleaning** - Unplug this product from the wall outlet before cleaning. Do not use liquid cleaners or aerosol cleaners. Clean only with a dry cloth.
- Attachments** - Do not use attachments not recommended by the product manufacturer as they may cause hazards.
- Water and Moisture** - Do not use this product near water - for example, near a bath tub, wash bowl, kitchen sink, or laundry tub; in a wet basement, or near a swimming pool, and the like. The apparatus shall not be exposed to dripping or splashing and that no objects filled with liquids, such as vases, shall be placed on apparatus.
- Accessories** - Do not place this product on an unstable cart, stand tripod, bracket, or table. The product may fall, causing serious injury to a child or adult, and serious damage to the product. Use only with a cart, stand, tripod, bracket, or table recommended by the manufacturer, or sold with the product. Any mounting of the product should follow the manufacturer's instructions, and should use a mounting accessory recommended by the manufacturer.
- A product and cart combination should be moved with care. Quick stops, excessive force, and uneven surfaces may cause the appliance and cart combination to overturn.

See figure:



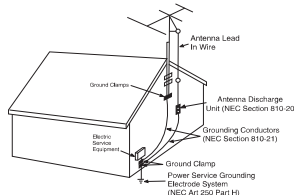
- Ventilation** - Slots and openings in the cabinet are provided for ventilation and to ensure reliable operation of the product and to protect it from overheating, and these openings must not be blocked or covered. The openings should never be blocked by placing the product on a bed, sofa, rug, or other similar surface. This product should not be placed in a built-in installation such as a bookcase or rack unless proper ventilation is provided or the manufacturer's instruction have been adhered to.
- Power Sources** - This product should be operated only from the type of power source indicated on the marking label. If you are not sure of the type of power supply to your home, consult your product dealer or local power company. For products intended to operate from battery power, or other sources, refer to the operating instruction.
- Grounding or Polarization** - This product may be equipped with a polarized alternating-current line plug (a plug having one blade wider than the other). This plug will fit into the power outlet only one way. This is a safety

feature. If you are unable to insert the plug fully into the outlet, try reversing the plug. If the plug should still fail to fit, contact your electrician to replace your obsolete outlet. Do not defeat the safety purpose of the polarized plug.

Alternate Warnings - This product is equipped with a three-wire grounding-type plug, a plug having a third (grounding) pin. This plug will only fit into a grounding-type power outlet. This is a safety feature. If you are unable to insert the plug into the outlet, contact your electrician to replace your obsolete outlet. Do not defeat the safety purpose of the grounding-type plug.

- Power-Cord Protection** - Power supply cords should be routed so that they are not likely to be walked on or pinched by items placed upon or against them, paying particular attention to cords at plugs, convenience receptacles, and point where they exit from the product.
- Protective Attachment Plug** - The product is equipped with an attachment plug having overload protection. This is a safety feature. See Instruction Manual for replacement or resetting of protective device. If replacement of the plug is required, be sure the service technician has used a replacement plug specified by the manufacturer that has the same overload protection as the original plug.
- Outdoor Antenna Grounding** - If an outside antenna is connected to the receiver, be sure the antenna system is grounded so as to provide some protection against voltage surges and built-up static charges. Article 810 of the National Electrical Code, ANSI/NFPA 70, provides information with regard to proper grounding of the mast and supporting structure, grounding of the mast and supporting structure, grounding of the lead-in wire to an antenna-discharge unit, size of grounding conductors, location of antenna-discharge unit, connection to grounding electrodes, and requirements for the grounding electrode.

See figure:

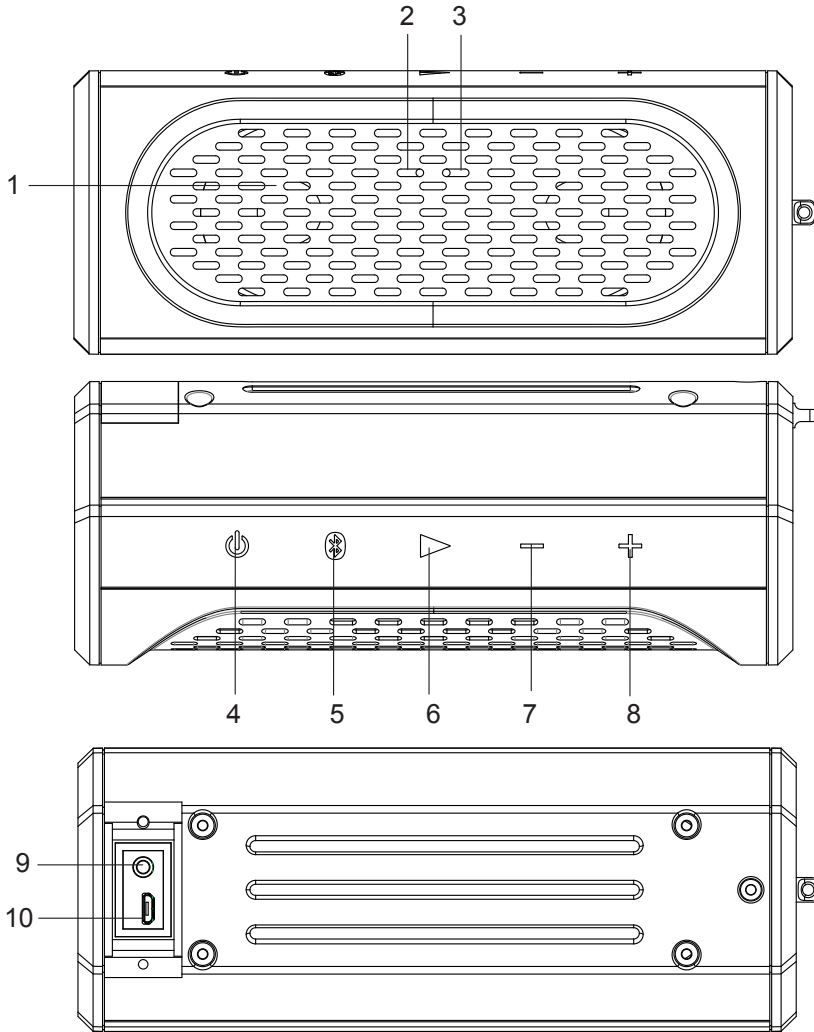


- Lightning** - For added protection for this product during a lightning storm, or when it is left unattended and unused for long periods of time, unplug it from the wall outlet and disconnect the antenna or cable system. This will prevent damage to the product due to lightning and power-line surges.
- Power Lines** - An outside antenna system should not be located in the vicinity of overhead power lines or other electric light or power circuits, or where it can fall into such power lines or circuits. When installing an outside antenna system, extreme care should be taken to keep from touching such power lines or circuits as contact with them might be fatal.
- Overloading** - Do not overload wall outlets, extension cords, or integral convenience

receptacles as this can result in a risk of fire or electric shock.

- Object and Liquid Entry** - Never push objects of any kind into this product through openings as they may touch dangerous voltage points or short-out parts that could result in a fire or electric shock. Never spill liquid of any kind on the product.
- Servicing** - Do not attempt to service this product yourself as opening or removing covers may expose you to dangerous voltage or other hazards. Refer all servicing to qualified service personnel.
- Damage Requiring Service** - Unplug this product from the wall outlet and refer servicing to qualified service personnel under the following conditions:
 - When the power-supply cord or plug is damaged,
 - If liquid has been spilled, or objects have fallen into the product,
 - If the product has been exposed to rain or water,
 - If the product does not operate normally by following the operating instructions. Adjust only those controls that are covered by the operating instructions as an improper adjustment of other controls may result in damage and will often require extensive work by a qualified technician to restore the product to its normal operation.
 - If the product has been dropped or damaged in any way, and
 - If the product exhibits a distinct change in performance - this indicates a need for service.
- Replacement Parts** - When replacement parts are required, be sure the service technician has used replacement parts specified by the manufacturer or have the same characteristics as the original part. Unauthorized substitutions may result in fire, electric shock, or other hazards.
- Safety Check** - Upon completion of any service or repairs to this product, ask the service technician to perform safety checks to determine that the product is in proper operating condition.
- Wall or Ceiling Mounting** - The product should be mounted to a wall or ceiling only as recommended by the manufacturer.
- Heat** - The product should be situated away from heat sources such as radiators, heat registers, stoves, or other products (including amplifiers) that produce heat. Battery shall not be exposed to excessive heat such as sunshine, fire, or the like.
- Main plug** is used as disconnect device and it should remain readily operable during intended use. In order to disconnect the apparatus from the mains completely, the mains plug should be disconnected from the mains socket outlet completely.
- Excessive sound pressure** from earphones and headphones can cause hearing loss.

LOCATION OF CONTROLS



1. Stereo Speaker
2. Charge Indicator
3. Pairing Indicator
4. Power Button
5. Pair Button
6. Play/Pause Button
7. Volume Down Button
8. Volume Up Button
9. AUX IN Jack
10. DC Power Input

PRODUCT FEATURES

The MW546 is a Bluetooth portable stereo speaker with the following features:

- Auxiliary input jack to play music from your iPod or digital audio player
- Wireless playback of music from your cell phone via the Bluetooth connection
- Up to 33 feet (10 meters) operating range
- Digital volume control

PREPARATION FOR USE

ACCESSORIES

Unpack the unit carefully to remove all the accessories from the packing. Verify that the following accessories are present before setting up the unit.

- Main Unit X 1
- USB charging cable X 1
- User Manual X 1

CARABINER CLIP

To use the carabiner clip,

- Press on the clip to open it.
- Use the carabiner clip for hanging the MW546

POWER SOURCE

This unit operates on a built-in Li-ion battery. The internal battery may not fully charged out of the box, even if the Green charging LED lights. We recommend that you charge the MW546 for at least 8 hours before first use.

CHARGING INSTRUCTION

This unit operates on a built-in Li-ion battery that can be recharged either using the USB port on your computer or from an AC adaptor (not included) with a rated output of DC 5V, 500mA.

Note: The micro USB DC IN jack is located on the rear of the unit under rubber dust cover, and is designed for charging the internal Li-ion battery. The unit will still operate while charging, but doing this may reduce the battery life, and increase the charging time.

CHARGING THE BATTERY USING THE micro USB PORT

1. Charge the built-in Li-ion battery a minimum of 8 hours prior to first use.
2. Place the unit standing upright on a table or flat surface and pull the tab on the rubber dust cover to open it.
3. Use the included USB charging cord, and plug the MW546 into a USB port on your computer or into a USB power adaptor (not included).
4. The Red charging LED located inside the speaker grille will light. It will turn off when the battery is fully charged.
5. Unplug the USB cable from the power source once the battery is fully charged. Close the rubber dust cover.

- After prolonged use, the battery voltage may discharge and operation might become intermittent. When this happens, please recharge the internal battery.

LOW BATTERY INDICATION

- When operating the unit on battery power, the Red charging LED will flash indicating that the battery is low, please connect the unit to USB power for charging.
- After prolonged use, the battery voltage will discharge and operation might become intermittent. When this happens, please recharge the internal battery.

- Note:**
- Charging time will vary if you are listening to music while charging the speaker battery. We recommend you turn off the speaker power during the charging process or until the speaker batteries are fully charged.
 - To prolong the life of a rechargeable battery, it is recommended to completely discharge it before fully charging it again.
 - Rechargeable batteries need to be cycled for maximum performance and longer battery life. If you don't use the player that often, be sure to recharge the battery at least once a month in order to keep the internal battery working properly.



Battery Note and Care

- Do not burn or bury batteries.
- Do not puncture or crush.
- Do not disassemble.
- Recycle Li-ion batteries. Do not dispose of in the trash.
- Use only chargers rated for Li-ion cells. Be sure the charger's voltage and current settings are correct for the battery pack being charged.
- Charge batteries on a fireproof surface away from flammable items or liquids.
- Batteries should NEVER be left unattended while charging. Only adults should charge the batteries.
- Follow the manufacturer's instructions for charging the product and do not charge longer than recommended. Unplug the charger when the battery is charged or not in use.

LED INDICATOR LIGHTS

STATUS	INDICATOR
Power On	Flashing or solid blue light
Charging Device	Solid red light
Full Charge	No light
Low Battery	Flashing red light
Pairing Device	Flashing blue light
Device Paired	Solid blue light
Line In	Solid green light

PAIRING A BLUETOOTH DEVICE

1. Power on the unit by pressing the Power button.
2. Press and hold the Pair button to begin pairing. The Pairing indicator will begin flashing quickly. When pairing, remain within 3 feet of the unit.
3. Using the controls on your Bluetooth device, scan for and select “MW546” in your Bluetooth setting to pair. If your device requests a password, enter the default password “0000”

Refer to the user’s manual for your specific device for instructions on pairing and connecting Bluetooth devices.

4. When successfully paired, the Pairing Indicator will turn solid and an audible chime will sound through the speaker.

After initial pairing, the unit will stay paired unless unpaired manually by the user or erased due to a reset of the device. If your device should become unpaired or you find it is unable to connect, repeat the above steps

PLAYING AUDIO WIRELESSLY

1. Use the controls on the connected device to select an audio track.
2. Audio played through the connected Bluetooth device will now be heard through the speaker. Use controls on the unit or your device to play, pause, and change the volume.

AUXILIARY INPUT

This unit provides an auxiliary audio signal input jack for connecting external audio devices like MP3 players, CD players and listen to your external source through the speakers of this system.

1. Open the rubber dust cover.
2. Use an audio cable (not included) with one 3.5 mm stereo plug on each end of the cable. The MW546 will switch to AUX mode automatically, the MODE indicator LED lights green.
3. Plug one end into the Aux-in jack on the main unit and the other end of the cable into the Line-out Jack or Headphone Jack of your external audio device.
4. Turn on the external audio device.
5. The volume level can now be controlled through the main unit. Operate all other functions on the auxiliary device as usual.



TROUBLESHOOTING GUIDE

Symptom	Possible Problem	Solution
No Charging	The USB power adaptor (not included) is not plugged into a wall outlet or the USB cable (included) is not plugged into the micro USB jack on the MW546	Plug the USB power adaptor (not included) into a wall outlet and plug the USB cable (included) into the micro USB jack on the MW546
	Wall outlet is not functioning.	Plug another device into the same outlet to confirm the outlet is working.
	Computer USB port is not functioning.	Make sure your computer power is turned on and try another USB port.
No Sound	Speaker batteries are dead	Recharge the speaker batteries
	Bluetooth speaker is not linked with the cell phone	Go through pairing section process to link the speakers.
	Speaker placement out of range	Relocate the speaker within Bluetooth operating range
	Volume set too low	Press the Volume+ button to turn the sound level up.
Sound is distorted.	Volume level is set too high.	Decrease the volume.
	Sound source is distorted.	<p>If the cell-phone original sound source is of poor quality, distortion and noise are easily noticed with high-power speakers. Try a different audio source such as a music CD.</p> <p>If you are using an external sound source like older generation of iPod, try reducing the output volume on the device itself. Also try turning bass boost OFF or change the EQ setting.</p>
Unit gets warm after extended play at high volume.	This is normal.	Turn the unit off for a period of time or lower volume.