

SYLVANIA

MODEL NO. SP2412-BLACK-PL

BLUETOOTH FM PORTABLE SPEAKER

OWNER'S MANUAL



PLEASE READ BEFORE OPERATING THIS EQUIPMENT

SAFETY INSTRUCTIONS



CAUTION
RISK OF ELECTRIC SHOCK
DO NOT OPEN



CAUTION: TO REDUCE THE RISK OF ELECTRIC SHOCK, DO NOT REMOVE COVER (OR BACK). NO USER-SERVICEABLE PARTS INSIDE. REFER SERVICING TO QUALIFIED SERVICE PERSONNEL.

LASER SAFETY: This unit employs a laser. Only qualified service personnel should attempt to service this device due to possible eye injury.

CAUTION: USE OF CONTROLS, ADJUSTMENTS OR PERFORMANCE PROCEDURE HEREIN MAY RESULT IN HAZARDOUS RADIATION EXPOSURE.



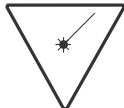
DANGEROUS VOLTAGE:

The lightning flash with arrowhead symbol, within an equilateral triangle is intended to alert the user to the presence of uninsulated dangerous voltage within the product's enclosure that may be of sufficient magnitude to constitute a risk of electric shock to persons.



ATTENTION:

The exclamation point within an equilateral triangle is intended to alert the user to the presence of important operating and maintenance (servicing) instructions in the literature accompanying the appliance.



DANGER:

Invisible and hazardous laser radiation when open and interlock failed or defeated. Avoid direct exposure to beam.

INFORMATION:

This equipment has been tested and found to comply with the limits for a Class B digital device, pursuant to Part 15 of the FCC Rules. These limits are designed to provide reasonable protection against harmful interference in a residential installation. This equipment generates, uses and can radiate radio frequency energy and, if not installed and used in accordance with the instructions, may cause harmful interference to radio communications. However, there is no guarantee that interference will not occur in a particular installation. If this equipment does cause harmful interference to radio or television reception, which can be determined by turning the equipment off and on, the user is encouraged to try to correct the interference by one or more of the following measures:

- * Reorient or relocate the receiving antenna.
- * Increase the separation between the equipment and receiver.
- * Connect the equipment into an outlet on a circuit different from that to which the receiver is connected.
- * Consult the dealer or an experienced radio/TV technician for help.

FCC WARNING:

This equipment may generate or use radio frequency energy. Changes or modifications to this equipment may cause harmful interference unless the modifications are expressly approved in the instruction manual. The user could lose the authority to operate this equipment if an unauthorized change or modification is made.

SURGE PROTECTORS:

It is recommended to use a surge protector for AC connection. Lightning and power surges ARE NOT covered under warranty for this product.

SAFETY INSTRUCTIONS

Before using the unit, be sure to read all operating instructions carefully. Please note that these are general precautions and may not pertain to your unit. For example, this unit may not have the capability to be connected to an outdoor antenna.

1. READ INSTRUCTIONS

All the safety and operating instructions should be read before the product is operated.

2. RETAIN INSTRUCTIONS

The safety and operating instructions should be retained for future reference.

3. HEED WARNINGS

All warnings on the product and in the operating instructions should be adhered to.

4. FOLLOW INSTRUCTIONS

All operating and use instructions should be followed.

5. CLEANING

Unplug this product from the wall outlet before cleaning. Do not use liquid cleaners or aerosol cleaners. Use a dry cloth for cleaning.

6. ATTACHMENTS

Do not use attachments not recommended by the product's manufacturer as they may cause hazards.

7. WATER AND MOISTURE

Do not use this product near water—for example: near a bathtub, washbowl, kitchen sink or laundry tub; in a wet basement; or near a swimming pool.

8. ACCESSORIES

Do not place this product on an unstable cart, stand, tripod, bracket or table. The product may fall, causing serious injury and serious damage to the product. Use only with a cart, stand, tripod, bracket or table recommended by the manufacturer or sold with the product. Any mounting of the product should follow the manufacturer's instructions, and should use a mounting accessory recommended by the manufacturer.

PORTABLE CART WARNING
(symbol provided by RETAC)



8A. An appliance and cart combination should be moved with care. Quick stops, excessive force and uneven surfaces may cause the appliance and cart combination to overturn.

9. VENTILATION

Slots and openings in the cabinet and in the back or bottom are provided for ventilation, to ensure reliable operation of the product and to protect it from overheating. These openings must not be blocked or covered. The openings should never be blocked by placing the product

on a bed, sofa, rug or other similar surface. This product should never be placed near or over a radiator or heat source. This product should not be placed in a built-in installation such as a bookcase or rack unless proper ventilation is provided or the manufacturer's instructions have been adhered to.

10. POWER SOURCES

This product should be operated only from the type of power source indicated on the marking label. If you are not sure of the type of power supply to your home, consult your appliance dealer or local power company. For products intended to operate from battery power, or other sources, refer to the operating instructions.

11. GROUNDING OR POLARIZATION

This product is equipped with a polarized alternating-current line plug (a plug having one blade wider than the other). This plug will fit into the power outlet only one way. This is a safety feature. If you are unable to insert the plug fully into the outlet, try reversing the plug. If the plug should still fail to fit, contact your electrician to replace your obsolete outlet. Do not defeat the safety purpose of the polarized plug.

12. POWER-CORD PROTECTION

Power-supply cords should be routed so that they are not likely to be walked on or pinched by items placed upon or against them, paying particular attention to cords at plugs, convenience receptacles, and the point where they exit from the appliance.

13. LIGHTNING

To protect your product from a lightning storm, or when it is left unattended and unused for long periods of time, unplug it from the wall outlet and disconnect the antenna or cable system. This will prevent damage to the product due to lightning and power-line surges.

14. POWER LINES

An outside antenna system should not be located in the vicinity of overhead power lines or other electric light or power circuits, or where it can fall into such power lines or circuits. When installing an outside antenna system, extreme care should be taken to keep from touching such power lines or circuits as contact with them might be fatal.

15. OVERLOADING

Do not overload wall outlets and extension cords as this can result in a risk of fire or electric shock.

16. OBJECT AND LIQUID ENTRY

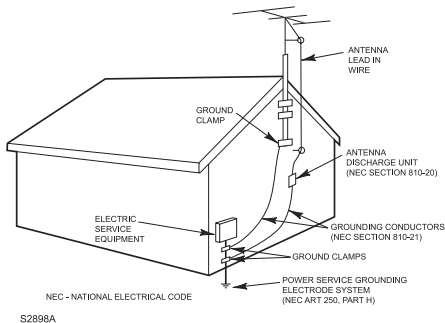
Never push objects of any kind into this product through openings as they may touch dangerous

SAFETY INSTRUCTIONS

voltage points or short out parts that could result in fire or electric shock. Never spill or spray any type of liquid on the product.

17. OUTDOOR ANTENNA GROUNDING

If an outside antenna is connected to the product, be sure the antenna system is grounded so as to provide some protection against voltage surges and built-up static charges. Section 810 of the National Electric Code, ANSI/NFPA 70, provides information with respect to proper grounding of the mast and supporting structure, grounding of the lead-in wire to an antenna discharge product, size of grounding conductors, location of antenna discharge product, connection to grounding electrodes and requirements for grounding electrodes.



EXAMPLE OF ANTENNA GROUNDING AS PER NATIONAL ELECTRICAL CODE

18. SERVICING

Do not attempt to service this product yourself as opening or removing covers may expose you to dangerous voltage or other hazards. Refer all servicing to qualified service personnel.

19. REPLACEMENT PARTS

When replacement parts are required, be sure the service technician uses replacement parts specified by the manufacturer or those that have the same characteristics as the original part. Unauthorized substitutions may result in fire, electric shock or other hazards.

20. SAFETY CHECK

Upon completion of any service or repairs to this product, ask the service technician to perform safety checks to determine that the product is in proper operating condition.

21. WALL OR CEILING MOUNTING

The product should be mounted to a wall or ceiling only as recommended by the manufacturer.

22. DAMAGE REQUIRING SERVICE

Unplug the product from the wall outlet and refer servicing to qualified service personnel under the following conditions:

- When the power-supply cord or plug is damaged.
- If liquid has been spilled or objects have fallen into the product.
- If the product has been exposed to rain or water.
- If the product does not operate normally by following the operating instructions. Adjust only those controls that are covered by the operating instructions, as an adjustment of other controls may result in damage and will often require extensive work by a qualified technician to restore the product to its normal operation.
- If the product has been dropped or the cabinet has been damaged.
- When the product exhibits a distinct change in performance this indicates a need for service.

23. HEAT

The product should be situated away from heat sources such as radiators, heat registers, stoves or other products (including amplifiers) that produce heat.

24. NOTE TO CATV SYSTEM INSTALLER

This reminder is provided to call the CATV system installer's attention to Article 820-40 of the NEC that provides guidelines for proper grounding and, in particular, specifies that the cable ground shall be connected to the grounding system of the building, as close to the point of cable entry as practical.

Table of Contents

Your Bluetooth FM portable speaker	5
Features	
Includes	
Charging instructions	5
Charging the battery for first time	
Recharging the internal battery	
Battery Note and Care	
Orientation	6
Front Features & Controls	
Rear inputs	
Bluetooth operation	7
Pairing a Bluetooth Device for the First Time	
Playing Audio Wirelessly	
Radio operation	8
Listening to the radio	
Setting the radio station presets	
Auxiliary operation	8
Specifications	9
Trouble Shooting	10

Your Bluetooth FM portable speaker

Features

- Supports Bluetooth v2.1
- Supports profile A2DP (Advanced Audio Distribution Profile)
- Supports automatic device pairing
- Wireless range: 33 feet
- Pairing button
- Play/pause button
- Skip forward/back button
- On/off button
- Digital volume control
- 20 FM station memory preset
- 4 digit red LED display
- Charge indicator
- 3.5mm audio input
- Build-in rechargeable battery
- Build-in FM antenna
- Build-in stereo speaker

Includes

- USB Cable
- User manual

Charging instructions

This unit operates on a built-in Li-ion battery that can be recharged either using the USB port on your computer or from a USB power adaptor (not included) with a rated output of DC 5V/500mA and up.

Note: The micro USB CHARGING JACK located on this unit is only designed for charging the built-in Li-ion battery.

CHARGING THE BATTERY FOR FIRST TIME

- 1.) Charge the built-in Li-ion battery a minimum of 2 hours prior to first use.
Plug the unit into the USB port on your computer or into a USB power adaptor (not included) using the included USB cable.
- 2.) The CHARGE INDICATOR will turn "ON" while charging and turn "OFF" when the unit is fully charged. Unplug the USB cable from the power source once the battery is fully charged.

RECHARGING THE INTERNAL BATTERY

After prolonged use, the internal battery will become weak and the operation may become intermittent. When the internal battery charge is low, the CHARGE INDICATOR will turn "ON and FLASH" alerting you to recharge the internal battery as soon as possible.

Plug the unit into a USB port on your computer or into a DC 5V/500mA and up USB power adaptor (not included) using the included USB cable. Disconnect the USB cable from the speaker as soon as it is fully charged.

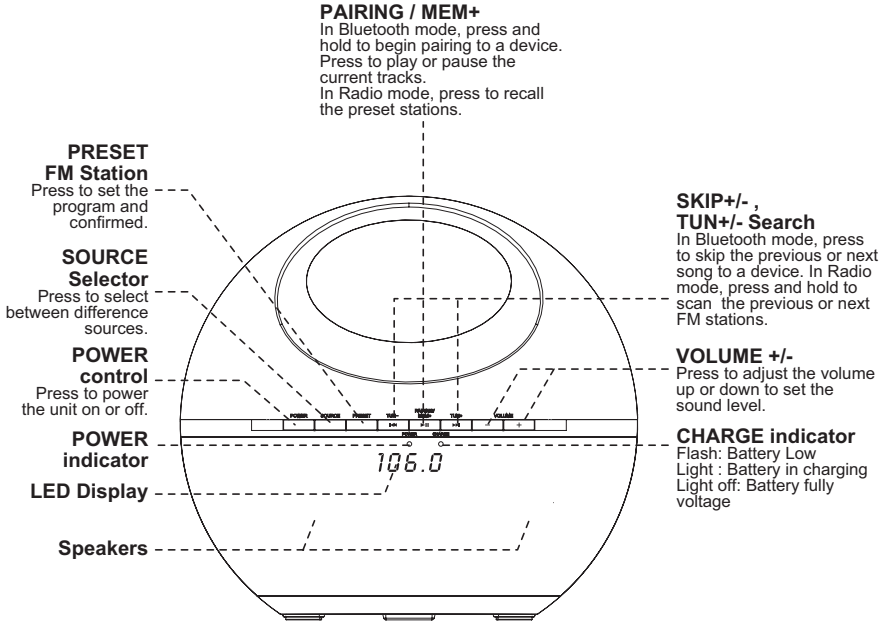
- Note:**
1. Charging time will vary if you are listening to music while charging the internal battery. We recommend you switch off the unit power during the charging process.
 2. To prolong the life of a rechargeable battery, it is recommended to completely discharge it before fully charging it again.
 3. Rechargeable batteries need to be cycled for maximum performance and longer battery life. If you don't use the player that often, be sure to recharge the battery at least once a month in order to keep the internal battery working properly.

Battery Note and Care

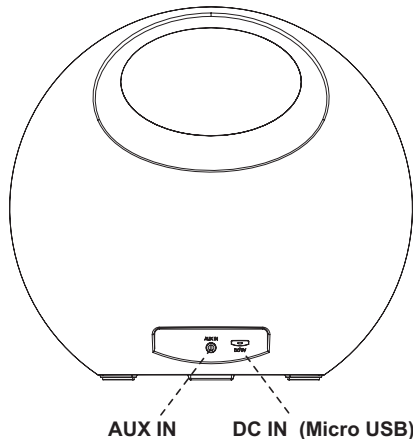
- Do not burn or bury batteries.
- Do not puncture or crush.
- Do not disassemble.
- Do not dispose of batteries in fire, batteries may explode or leak
- Li-ion batteries must be recycled. Do not dispose of in the trash.
- Use only chargers rated for Li-ion cells. Be sure the charger's voltage and current settings are correct for the battery pack being charged.
- Charge batteries on a fireproof surface and away from flammable items or liquids.
- Batteries should NEVER be left unattended while charging. Only adults should charge the batteries.
- Follow the manufacturer's instructions for charging the product and do not charge longer than recommended. Unplug the charger when the battery is charged or not in use.

Orientation

Front Features & Controls



Rear input



Bluetooth operation

Pairing a Bluetooth Device for the First Time

1. Power on the unit by pressing the **Power** button, power indicator will turn on and “**HI**” appear on LED Display 3 seconds.
2. Press the **Source** button on the front of the unit repeatedly until “**bt**” appear on LED display and the sound “Do” will be heard. After press and hold the **Pairing** button.
The “bt” will flash quickly. When pairing, remain within 3 feet of the unit.
3. Using the native controls on your Bluetooth device, select the **SP2412** in your Bluetooth settings to pair. If your device requests a password, enter the default password “0000”.
Refer to the user’s manual for your specific device for instructions on pairing and connecting Bluetooth devices.
4. When successfully paired and connected, a sound “Dingdong” will issue from the unit and the “**bt**” will display remain lit.
After initial pairing, the unit will stay paired unless unpaired manually by the user or erased due to a reset of the device. If your device should become unpaired or you find it is unable to connect, repeat the above steps.

Playing Audio Wirelessly

1. After pairing to a Bluetooth device, use the native controls on the connected Bluetooth Device to select a track.
2. Play, pause or skip a selected track using the native controls on the connected Bluetooth Device or the controls on the unit.
3. Audio played through the connected Bluetooth Device will now be heard through the speakers.
4. Adjust the **VOLUME +/-** to obtain the desired volume level.
5. Press **POWER** button again to turn off the unit.

Radio operation

Listening to the radio

1. Press the **Power** button, power indicator will turn on and “**HI**” appear on LED display 3 seconds.
2. Press the **Source** button on the front of the unit repeatedly until FM frequency will show on LED display.
3. Press and hold the **TUN+** or **TUN-** button to search the next/previous available station.
4. If the reception is poor, try manual tuning to fine-tune the station. Press the **TUN+** button or **TUN-** button briefly to manually tune through the frequency band.
5. Adjust the **VOL + / VOL –** buttons to obtain the desired volume level.
6. Press **POWER** button again to turn off the unit.

Setting the Radio Station Presets

The **SP2412** allows you to store up to 20 stations for easy recall at any time.

1. Press the **Power** button, power indicator will turn on and “**HI**” appear on LED display 3 seconds.
2. Press the **Source** button on the front of the unit repeatedly until FM frequency will show on LED display.
3. Press the **TUN+** button or **TUN-** button to select the desired station.
4. Press and hold the **PRESET** button 2 seconds to enable the program function and the program number “**P01**” will show on the LED display and flashing.
5. Press the **TUN+** button or **TUN-** button to select the desired program number of program.
6. Press the **PRESET** button again to confirm.
7. Repeat above steps #3 thru #6 to preset up to 20 stations.
8. To retrieve one of the preset stations already programmed, press **MEM+** button repeatedly until you reach the desired program number of the station.

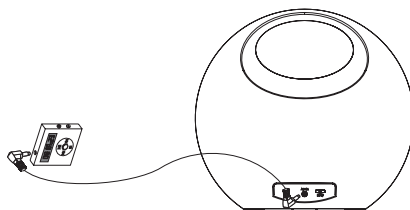
Auxiliary operation

3.5mm audio input cable not included.

1. Plug one end of a 3.5mm audio input cable into the **AUX IN** input on the rear of the unit, and plug the other end of the cable into the audio output on the external music player or other source.

Note: Make sure your external music player is turn ON.

2. Press the **POWER** button to power the unit on, and “**HI**” appear on LED Display 3 seconds.
3. Set the **Source** button on the front of the unit repeatedly until “**AU**” appear on LED display.
4. Adjust the **VOL + / VOL –** buttons to obtain the desired volume level of music playback from the speakers on the unit.
5. Press **POWER** button again to turn off the unit. Remember to shut down the external player power.



Specification

Power Requirement:

DC input : DC 5V  500mA (Micro USB)

Battery: build-in rechargeable lithium battery

Frequency Range: FM 87.5 – 108 MHz

Bluetooth: Bluetooth Specification version 2.1
Support profile A2DP

Audio Power output: 1.5W (RMS) x 2

Speaker: 4 Ohms. 2 1/2 inch. x 2

Dimensions: 22.8 cm(H) x 25.0 cm(W) x 12.8 cm(D)

Weight: 0.65 Kg.

Trouble Shooting

PROBLEM	POSSIBLE CAUSE	REMEDY
GENERAL		
No Charging	<p>The USB power adaptor (not included) is not plugged into a wall outlet or the USB cable (included) is not plugged into the mini USB jack on the unit.</p> <p>Wall outlet is not functioning.</p> <p>Computer USB port is not functioning.</p>	<p>Plug the USB power adaptor (not included) into a wall outlet and plug the USB cable (included) into the mini USB jack on the unit..</p> <p>Plug another device into the same outlet to confirm the outlet is working.</p> <p>Make sure your computer power is turned on and try another USB port.</p>
No Sound	<p>The unit battery is exhausted.</p> <p>Volume set too low.</p>	<p>Recharge the unit battery.</p> <p>Press the volume+ button to increase the sound level.</p>
The unit does not to operation of any button	Under the influence of electrostatic phenomenon, the product may malfunction and require user to reset the unit.	Press and hold the POWER button 5 seconds to reset the unit.
BLUETOOTH		
No sound when playing audio via Bluetooth	<p>Your Bluetooth device has been paired properly.</p> <p>The unit placement out of range.</p> <p>The volume control of your Bluetooth device is set at too low.</p> <p>The volume control of the main unit is set at too low.</p>	<p>Pairing your Bluetooth device according to the "Pairing a Bluetooth Device for the First Time" section.</p> <p>Relocate the unit within Bluetooth operating range (33 feet).</p> <p>Increase the volume of your Bluetooth device.</p> <p>Increase the volume of the main unit to turn to your wish.</p>
RADIO		
Noise or sound distorted on FM broadcast	<p>Station not tuned properly for FM.</p> <p>FM reception is weak.</p>	<p>Retune the FM broadcast station.</p> <p>Relocate the position of the unit.</p>
AUXILIARY		
No sound in AUX mode	<p>Volume at minimum.</p> <p>External device not connected properly.</p>	<p>Adjust the volume knob.</p> <p>Clear contact pins and connect again.</p>

SYLVANIA

LIMITED PRODUCT WARRANTY

This quality product is warranted to be free from manufacturer's defects in material and workman-ship, provided that the unit is used under the normal operating conditions intended by the manufacturer.

Should you have any problem with this product, please and it is highly recommended to visit our website at www.curtisint.com before you take any other steps as we have additional copies of instruction manuals, operating manuals and trouble shooting tips on our website which gives you the answer on most of the questions you could have in operating the unit.

TERMS OF WARRANTY

C.I. Service Dept. warrants this product to be free from defects in materials and workmanship for 90 days on parts and 90 days on labor. If you originally purchased your product more than 90 days ago, a repair fee may apply.

Nothing within this warranty shall imply that C.I. will be responsible or liable for any damage to any items placed in this product, whether due to any defect of the product, or its use, whether proper or improper.

EXCLUSIONS

Save as herein provided, C.I. Service Dept. (Canada) or C.I. Service Dept. (USA), there are no other warranties, conditions, representations or guarantees, express or implied, made or intended by C.I. or its authorized distributors and all other warranties, conditions, representations or guarantees, including any warranties, conditions, representations or guarantees under any Sale of Goods Act or like legislation or statute is hereby expressly excluded. Save as herein provided, C.I. Service Dept. (Canada) or C.I. Service Dept. (USA), shall not be responsible for any damages to persons or property, including the unit itself, howsoever caused or any consequential damages arising from the malfunction of the unit and by the purchase of the unit, the purchaser does hereby agree to indemnify and save harmless C.I. from any claim for damages to persons or property caused by the unit.

TO OBTAIN REPAIRS UNDER THE TERMS OF THIS WARRANTY

1. The original purchaser must present a copy of the original bill of sale and the service warranty card.
2. Any alterations, abuse, misuse, battery corrosion or accidental damage voids the warranty.
3. The warranty does not cover cabinets and accessories.
4. No warranty or insurance contained or set out shall apply when damage or repair is caused by power failure; damage in transit or when moving the unit; improper power supply; use for commercial or industrial purposes; service calls resulting in customer education, etc.
5. The defective product should be mailed to:

Canada
C.I. Service Dept.
315 Attwell Drive
Toronto, ON
M9W 5C1

U.S.A
Curtis International Ltd
c/o Liquidity Services/Liquidation.com
1399 Perry Road
Plainfield, IN
46168

For service assistance and product information, please call: 1-800-968-9853.

If mailing the product, the freight must be prepaid and a money order for \$7.00 should be included to cover the cost of insurance and the return of the product.

6. C.I. reserves the right to repair or replace the parts which have become defective.

.....

Warning

This device complies with Part 15 of the FCC Rules. Operation is subject to the following two conditions: (1) this device may not cause harmful interference, and (2) this device must accept any interference received, including interference that may cause undesired operation. changes or modifications not expressly approved by the party responsible for compliance could void the user's authority to operate the equipment.

NOTE: This equipment has been tested and found to comply with the limits for a Class B digital device, pursuant to Part 15 of the FCC Rules. These limits are designed to provide reasonable protection against harmful interference in a residential installation. This equipment generates, uses and can radiate radio frequency energy and, if not installed and used in accordance with the instructions, may cause harmful interference to radio communications. However, there is no guarantee that interference will not occur in a particular installation. If this equipment does cause harmful interference to radio or television reception, which can be determined by turning the equipment off and on, the user is encouraged to try to correct the interference by one or more of the following measures:

- Reorient or relocate the receiving antenna.
- Increase the separation between the equipment and receiver.
- Connect the equipment into an outlet on a circuit different from that to which the receiver is connected.
- Consult the dealer or an experienced radio/TV technician for help.

RF Exposure Statement

To maintain compliance with FCC's RF Exposure guidelines, This equipment should be installed and operated with minimum distance between 20cm the radiator your body: Use only the supplied antenna.