



singing machine®

creating Joy through music

# TabeoKe

Portable Bluetooth® Karaoke System

## ISM398BT

### INSTRUCTION MANUAL

Please read before using this unit.





**THE SINGING MACHINE®**

is a registered trademark of The Singing Machine Company, Inc.



# Warnings

	<b>CAUTION</b> RISK OF ELECTRIC SHOCK DO NOT OPEN	
<p>CAUTION: TO REDUCE THE RISK OF ELECTRIC SHOCK, DO NOT REMOVE COVER (OR BACK). NO USER-SERVICEABLE PARTS INSIDE. REFER SERVICING TO QUALIFIED SERVICE PERSONNEL.</p> <p>The Caution marking is located on the bottom panel.</p>		



**DANGEROUS VOLTAGE:** The lightning flash with arrowhead symbol within an equilateral triangle is intended to alert the user to the presence of uninsulated dangerous voltage within the product's enclosure that may be of sufficient magnitude to constitute a risk of electric shock to persons.



**ATTENTION:** The exclamation point within an equilateral triangle is intended to alert the user to the presence of important operating and maintenance (servicing) instructions in the literature accompanying this product.

**DRIPPING WARNING:** This product shall not be exposed to dripping or splashing, and no objects filled with liquids, such as vases, shall be placed on the product.

**VENTILATION WARNING:** The normal ventilation of the product shall not be impeded for intended use.

**SAFETY VERIFICATION:** This device is made and tested to meet safety standards of the FCC, requirements and compliance with safety performance of the U.S. Department of Health and Human Services and also with FDA Radiation Performance Standards 21 CFR Subchapter.

**WARNING: TO PREVENT FIRE OR SHOCK HAZARD, DO NOT EXPOSE THIS UNIT TO RAIN OR MOISTURE.**

FCC ID : SSMISM398BT

**FCC WARNING:** Changes or modifications not expressly approved by the party responsible for compliance could void your authority to operate the equipment.

This device complies with part 15 of the FCC Rules. Operation is subject to the following two conditions: (1) This device may not cause harmful interference, and (2) this device must accept any interference received, including interference that may cause undesired operation.

**NOTE:** This equipment has been tested and found to comply with the limits for a Class B digital device, pursuant to part 15 of the FCC Rules. These limits are designed to provide reasonable protection against harmful interference in a residential installation. This equipment generates, uses and can radiate radio frequency energy and, if not installed and used in accordance with the instructions, may cause harmful interference to radio communications. However, there is no guarantee that interference will not occur in a particular installation. If this equipment does cause harmful interference to radio or television reception, which can be determined by turning the equipment off and on, the user is encouraged to try to correct the interference by one or more of the following measures:

- Reorient or relocate the receiving antenna.
- Increase the separation between the equipment and receiver.
- Connect the equipment into an outlet on a circuit different from that to which the receiver is connected.
- Consult the dealer or an experienced radio/TV technician for help.
- The rating information is located at the bottom of the unit.

**INDUSTRY CANADA NOTICE:**

This device complies with Industry Canada license-exempt RSS standard(s). Operation is subject to the following two conditions:

1. This device may not cause interference, and
2. This device must accept any interference, including interference that may cause undesired operation of the device.

CAN ICES-3(B)/NMB-3(B)

# Important Safety Information

1. Read these Instructions.
2. Keep these Instructions.
3. Heed all Warnings.
4. Follow all Instructions.
5. Do not use this apparatus near water.
6. Clean only with a dry cloth.
7. Do not block any of the ventilation openings. Install in accordance with the Manufacturer's instructions.
8. Do not install near any heat sources such as radiators, heat registers, stoves, or other apparatus (including amplifiers) that produce heat.
9. Do not defeat the safety purpose of the polarized or grounding-type plug. A polarized plug has two blades with one wider than the other. A grounding type plug has two blades and a third grounding prong. The wide blade or the third prong are provided for your safety. When the provided plug does not fit into your outlet, consult an electrician for replacement of the obsolete outlet.
10. Protect the power cord from being walked on or pinched particularly at plugs, convenience receptacles, and the point where they exit from the apparatus.
11. Only use attachments/accessories specified by the manufacturer.
12. Use only with a cart, stand, tripod, brace or table specified by the manufacturer sold with the apparatus. When a cart is used, use caution when moving the cart/apparatus combination to avoid injury from tip-over.
13. Unplug this apparatus during lightning storms or when unused for long periods of time.
14. Refer all servicing to qualified service personnel. Servicing is required when the apparatus has been damaged in any way, such as power-supply cord or plug is damaged, liquid has been spilled or objects have fallen into the apparatus, the apparatus has been exposed to rain or moisture, does not operate normally, or has been dropped.
15. **WARNING:** To reduce the risk of fire or electric shock, do not expose this apparatus to rain or moisture. Do not place objects filled with water, such as a vase, on the apparatus.
16. The AC mains plug is used as the power disconnect device and it should remain readily accessible and operable during intended use. In order to completely disconnect the apparatus from power, the mains plug should be completely removed from the AC outlet socket.
17. **CAUTION:** To reduce the risk of fire or explosion, do not expose batteries to excessive heat such as sunshine, fire or other heat sources.

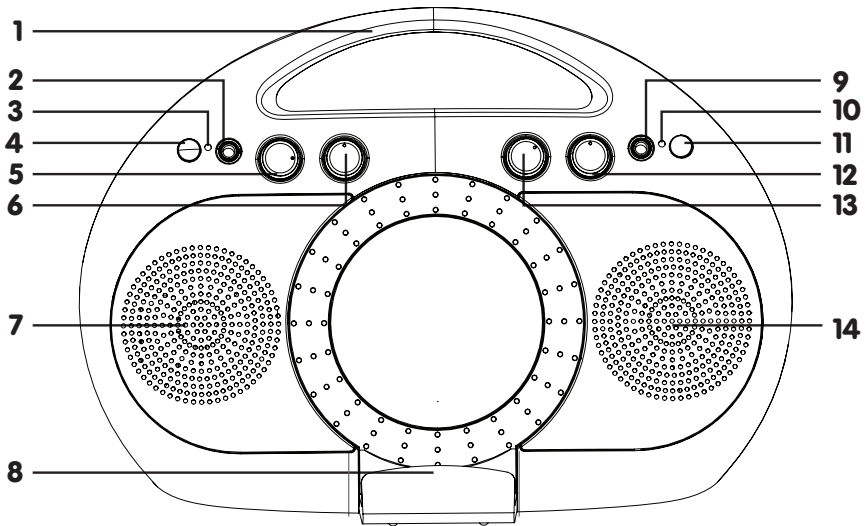
PORTABLE CART WARNING  
(symbol provided by RETAC)





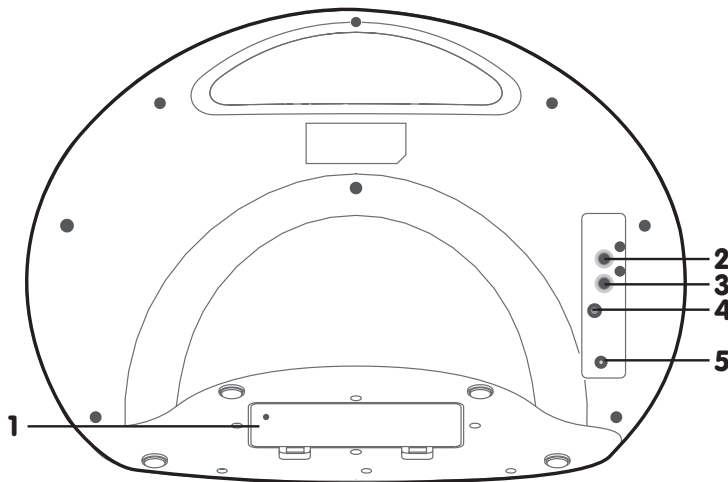
# Location of Controls

## Front



- |                        |                            |                           |
|------------------------|----------------------------|---------------------------|
| 1. Carrying Handle     | 7. Left Speaker            | 12. MASTER VOLUME Control |
| 2. Mic 1 Jack          | 8. Cradle                  | 13. BALANCE Button        |
| 3. Power Indicator     | 9. Mic 2 Jack              | 14. Right Speaker         |
| 4. Power ON/OFF Button | 10. Bluetooth Indicator    |                           |
| 5. ECHO Control        | 11. PLAY/PAUSE/PAIR Button |                           |
| 6. MIC VOLUME Control  |                            |                           |

## Rear



- |   |                         |                |
|---|-------------------------|----------------|
| 1. Battery Compartment (bottom of unit) | 2. AUDIO OUT Left Jack  | 4. AUX IN Jack |
|   | 3. AUDIO OUT Right Jack | 5. DC IN Jack  |



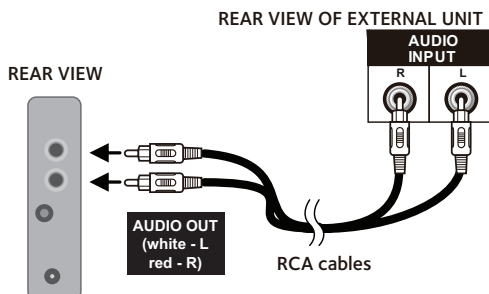
# Connection

## Connecting this Unit to an External Stereo, etc.

To listen to this unit's audio through a stereo or other external unit, connect as follows:

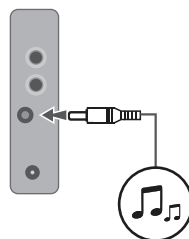
Connect the Audio cables red and white plugs to the red and white AUDIO OUT jacks on the iSM398BT and the other ends to the external unit red and white Audio In jacks.

**Note:** Audio cables are not included.



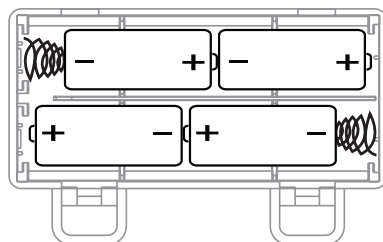
## Connecting a Digital Music Player to this Unit

Your Singing Machine is designed to connect to your favorite digital music device (iPod, MP3 player, etc.). Simply connect your device by using an appropriate audio cable (3.5mm audio cable not included). When connected, the Aux function is automatically selected. See page 7 for more details.



## Inserting Batteries

- 1 Lift battery door to reveal battery compartment.
- 2 Insert four (4) "C" size alkaline batteries (not included) as indicated by the polarity in the battery compartment.
- 3 Replace battery door tightly before operating



### BATTERY PRECAUTIONS:

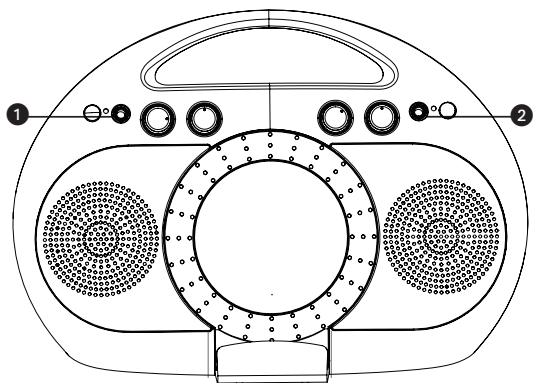
Follow these precautions when using batteries in this device:

1. Warning – Danger of explosion if battery is incorrectly replaced. Replace only with the same or equivalent type.
2. Use only the size and type of batteries specified.
3. Be sure to follow the correct polarity when installing the batteries as indicated in the battery compartment. A reversed battery may cause damage to the device.
4. Do not mix different types of batteries together (e.g. Alkaline, Rechargeable and Carbon-zinc) or old batteries with fresh ones.
5. If the device is not to be used for a long period of time, remove the batteries to prevent damage or injury from possible battery leakage.
6. Do not try to recharge a battery not intended to be recharged; it can overheat and rupture. (Follow battery manufacturer's directions.)
7. Remove batteries promptly if consumed.
8. Clean the battery contacts and also those of the device prior to battery installation.



# Connection

## Connecting the Microphone(s)

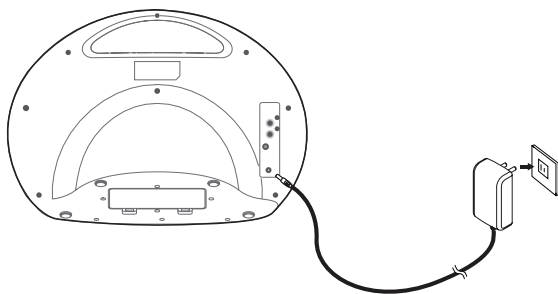


Insert a microphone's plug into the Mic 1 jack **1**. Insert the other microphone's plug into the Mic 2 jack **2** (if desired).

**Note:** Do not drop or tap the mic, as damage to the mic or speakers may occur. Do not spin the microphone around for the same reason.

## Connecting to AC Power

Insert the small end of the AC adapter into the DC IN jack on the rear of the unit. Insert the other end (with the 2 blades) into a conveniently located AC outlet having 110-240V AC, 50/60Hz.



### Notes:

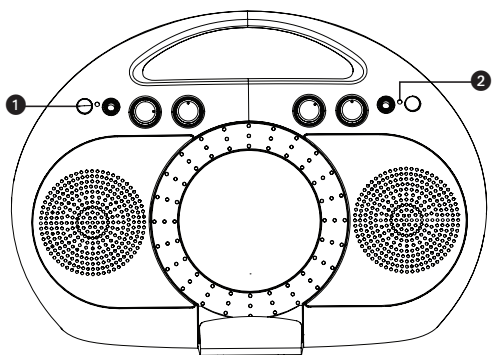
- Only use the supplied AC adapter. Failure to do so may cause a fire or damage the unit.
- The AC adapter included with this unit is for its use only. Do not use it with other equipment.
- Turn off the unit before unplugging the AC adapter from the unit to avoid damaging the unit.
- When the unit is not going to be used for a long time, disconnect the AC adapter from the AC outlet.
- If the unit acts erratically or malfunctions, unplug the unit, wait 20 seconds and plug it back in.
- Never use an AC adapter that is damaged. Route power lead in a safe manner and make sure it is not subjected to trapping or pinching. If the power lead is damaged, refer to a qualified service agent.





# Operation

## Using a Bluetooth Device



TabeoKe is a portable karaoke system that works with any tablet that supports karaoke Apps. Download the Singing Machine Mobile Karaoke App powered by Stingray Karaoke available on iTunes for iOS devices. Try the Karaoke Anywhere for Android, or the Red Karaoke App for Windows Mobile. Use your Bluetooth device to wirelessly stream music and karaoke songs, with lyrics, through any of the mobile apps listed above.

For more information, visit [www.singingmachine.com](http://www.singingmachine.com)

**1** Connect the unit as described previously. Press the Power ON/OFF button **1** to turn the unit on; the Power indicator will light.

**2** The Bluetooth indicator **2** will blink rapidly to indicate it is in the Pairing mode.

**Note:** You can also press and hold the PLAY/PAUSE/PAIR button to initiate the Pairing mode.

**3** Switch on the Bluetooth function of your Bluetooth compatible device within three feet of the iSM398BT. You will see “Singing Machine” appear on your device’s search list.

**Note:** Please always refer to the user manual of your Bluetooth device for detailed instructions.

**4** Select “Singing Machine” to start pairing. Wait for completion of the pairing and the Bluetooth indicator will light solid.

**Notes:**

- If your Bluetooth device prompts you for a passcode during the pairing process, please enter “0000” to connect.
- If pairing fails, repeat steps 2-4.
- If you have paired before, a list of previously searched results will be displayed. Select “Singing Machine” again.
- On some Bluetooth devices (i.e., computers), once pairing is complete, you must select your Bluetooth device as “Use as Audio Device” or similar.

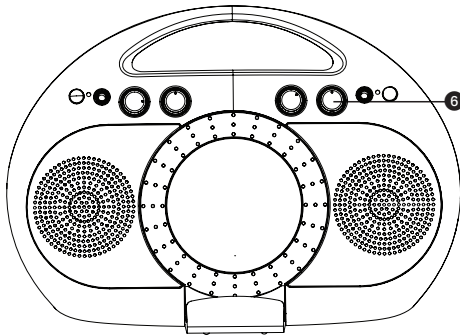
**5** **PLAY/PAUSE:** Press the Play/Pause button on the Bluetooth device or on the iSM398BT to start.





# Operation

## Using a Bluetooth Device

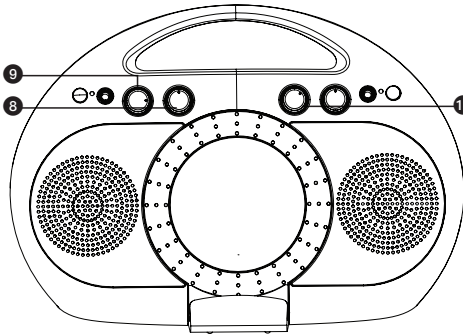


6

Make sure the Bluetooth device has its volume set to mid range, then adjust the volume to a comfortable level using the MASTER VOLUME control **6**.

7

Connect microphone(s) as shown on page 4, and slide the microphone's ON/OFF switch to the ON position. Also, if desired, place your Bluetooth device onto the cradle after it is paired.



8

Adjust the MIC VOLUME control **8** as desired. Increasing this control will increase the volume of the respective microphone.

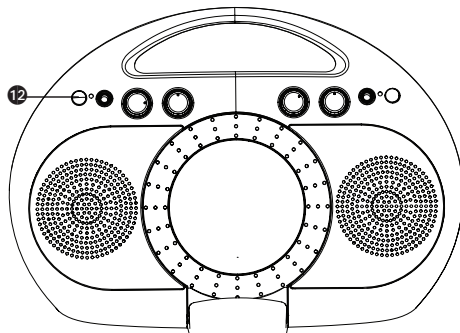
9

**ECHO:** Adjust the Echo control **9** to add an echo effect to your voice.

10

**BALANCE:** Balance allows you to eliminate the lead singer's voice by rotating the knob **10** to the left when playing a multiplex recording, or eliminate the music by rotating the knob to the right. This feature only works with multiplex media.

**Note:** If not listening to a multiplex recording, this knob will control the balance on the left and right speakers.



11

Control the Bluetooth device using its own controls.

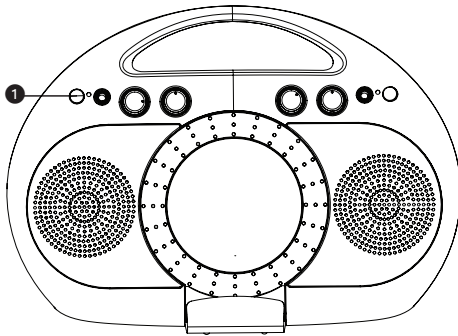
12

Press the Power ON/OFF button **12** to turn the unit off; the Power indicator will turn off.

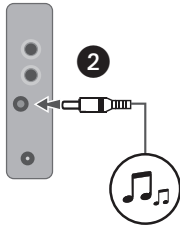


# Operation

## Using the AUX IN Jack

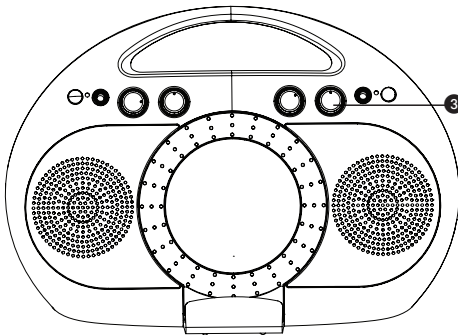


1 Connect the unit as described previously. Press the Power ON/OFF button **1** to turn the unit on; the Power indicator will light.



2 Connect the external unit to the AUX IN jack **2**. When connected, the Aux function is automatically selected.

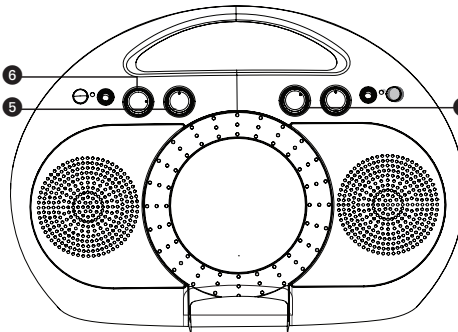
Note: It is highly recommended to set the volume on the auxiliary unit to 1/3 or lower to avoid distortion.



3 Adjust the volume to a comfortable level using the MASTER VOLUME control **3**.

4 Connect microphone(s) as shown on page 4, and slide the ON/OFF switch to the ON position.

5 Adjust the MIC VOLUME control **5** as desired. Increasing this control will increase the volume of the respective microphone.



6 Adjust the Echo and Balance effects **6** as shown on page 6.

7 Press the Power ON/OFF button **1** to turn the unit off; the Power indicator will turn off.





# Troubleshooting Guide

Should this unit exhibit a problem, check the following before seeking service:

## No Power.

- Power is not on; press the Power ON/OFF button to turn the unit on.
- Make sure the unit is connected to AC power.
- Batteries are dead or not inserted properly. Insert batteries as shown on page 3.

## No Sound – General.

- Master Volume is set to minimum; raise volume.
- Cable connected to AUX IN jack. When a cable is connected, the Aux In function is selected. Unplug to select Bluetooth.

## No Sound from the Microphone.

- Make sure microphone is firmly connected to the MIC1 or MIC2 jack.
- Make sure microphone is turned on; see page 6.
- Make sure the MIC VOLUME control is not on the lowest setting.
- MASTER VOLUME is set to minimum; raise volume.

## The Bluetooth device cannot be paired or connected with the unit.

- Turn the power off; wait five seconds then turn power back on for automatic re-connection with the paired device.
- You have not activated the Bluetooth function of your device; see page 5 or refer to the Bluetooth device's user manual.
- The unit is not in pairing mode; see page 5 to pair.

## The Music playback is not available on the unit after successfully connecting the Bluetooth.

- Ensure your Bluetooth device can support the A2DP Bluetooth profile.





# Specifications

## AUDIO

Output Power (Maximum) ..... 2W + 2W (RMS)  
 Output Impedance ..... 4 Ohms

## BLUETOOTH

Bluetooth Version ..... V2.1 + EDR  
 Working Distance ..... Up to 10 meters measured in open space

## GENERAL

Power (AC) ..... AC 110-240 V, 50/60 Hz  
 Power (DC) ..... DC 6V (4 x "C" cell)  
 DC Adapter ..... DC5V, 1.0A Center Positive Adapter  
 Dimensions ..... 14.8 x 6.2 x 9.1 inches / 37.6 x 15.7 x 23.1 cm  
 Weight ..... 2.51 lbs / 1.14 kg  
 Microphone ..... -73 dB 600 Ohms impedance with 6.3 mm Dynamic Microphone

Specifications are subject to change without notice.





## LIMITED WARRANTY AND SERVICE

THE SINGING MACHINE COMPANY, INC. warrants this product to be free from defects in material and workmanship for a period of ninety (90) days from date of sale to the original consumer purchaser. Product will be repaired or replaced with a new or reconditioned product at no additional charge if it is proven to be defective within the ninety (90) day period when said product is returned at customer expense within the warranty period. THIS WARRANTY DOES NOT COVER ANY EXPENSES INCURRED IN THE REMOVAL AND REINSTALLATION OF THIS PRODUCT.

This warranty does not apply to any product damaged by accident, misuse, abuse, improper line voltage, fire, water, lightning or other acts of God, or any parts or services furnished by anyone else. The warranty does not cover cartons, carrying cases, batteries, broken or damaged cabinets, or any items used in connection with the product or consequential damage due to defect in the product. This warranty does not cover products sold AS IS or Re-manufactured units or units sold outside the SMC distribution channel.

ALL IMPLIED WARRANTIES ARE LIMITED TO THE DURATION OF THIS WARRANTY. THIS IS THE COMPLETE WARRANTY AND NO OTHER EXPRESSED WARRANTY IS VALID. SOME STATES DO NOT ALLOW LIMITATIONS ON HOW LONG AN IMPLIED WARRANTY LASTS OR AN EXCLUSION OR LIMITATIONS OF INCIDENTAL OR CONSEQUENTIAL DAMAGES, SO THE ABOVE LIMITATIONS OR EXCLUSIONS MAY NOT APPLY TO YOU.

This warranty gives you specific legal rights and you may also have other rights, which may vary from state to state.

**IF THE UNIT IS OUTSIDE THE WARRANTY PERIOD**, please call us first at (866) 670-6888 or email us at [customerservice@singingmachine.com](mailto:customerservice@singingmachine.com).

### SERVICE CENTER:

THE SINGING MACHINE COMPANY  
4060 E. Jurupa Street, Unit B  
Ontario, CA 91761  
USA

Visit our website

**[www.singingmachine.com](http://www.singingmachine.com)**





Visit our website:

**[www.singingmachine.com](http://www.singingmachine.com)**

THE SINGING MACHINE is a registered trademark of The Singing Machine Company, Inc.  
4060 E JURUPA STREET, UNIT B, ONTARIO, CA 91761-1413, USA

Copyright © 2016 The Singing Machine Company, Inc. All Rights Reserved.

PRINTED IN CHINA  
**398-1602-ENG01**

