

Modern Electronics Factory Ltd.

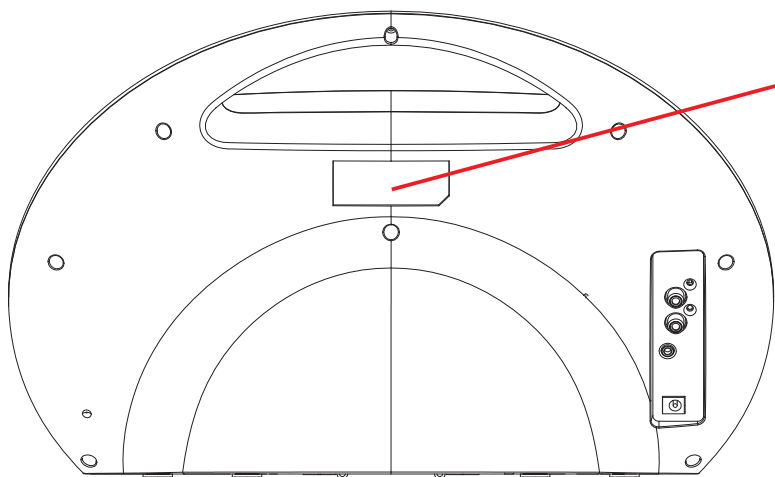
Rev: 2.0 Date: 9Mar.2016

iSM398BT LABEL LIST AND LOCATION

Rating Label artwork and location

56mm

22mm



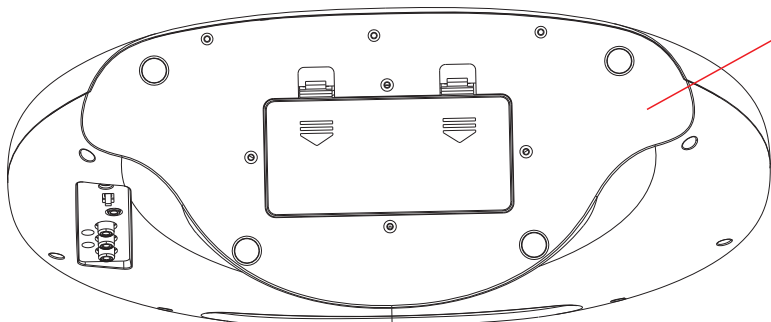
FCC statement + Label location

60mm

14mm

This device complies with Part 15 of the FCC rules, operation is subject to the following two conditions:
 (1) this device may not cause harmful interference, and
 (2) this device must accept any interference received, including interference that may cause undesired operation.
 FCC ID: SSMISM398BT

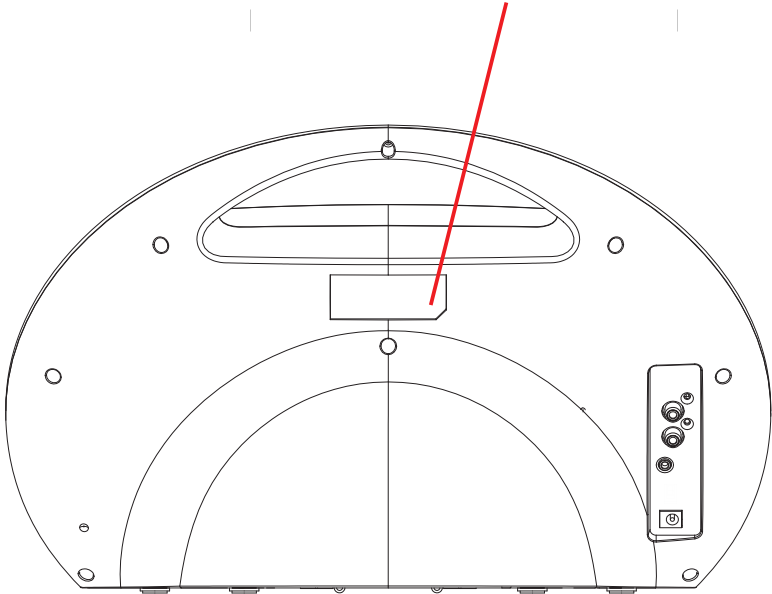
+ FCC ID number



iSM398 Label List

Date: 4 Mar. 2016

Rating Label



FCC statement + FCC ID number

This device complies with Part 15 of the FCC rules, operation is subject to the following two conditions:
(1) this device may not cause harmful interference, and
(2) this device must accept any interference received, including interference that may cause undesired operation.

FCC ID: SSMISM398BT

