

# **MET1389 User Manual**

## **Bluetooth Blaster with FM radio**



# Safety Instructions & Warnings

---

## Important Safety Instructions

- Read these Instructions.
- Keep these Instructions.
- Heed all Warnings.
- Follow all instructions.
- Do not use this apparatus near water.
- Clean only with a dry cloth.
- Do not block any ventilation openings. Install in accordance with the manufacturer's instructions.
- Do not install near any heat sources such as radiators, heat registers, stoves, or other apparatus (including amplifiers) that produce heat.
- Do not defeat the safety purpose of the polarized or grounding - type plug. A polarized plug has two blades with one wider than the other. A grounding type plug has two blades and a third grounding prong. The wide blade or the third prong are provided for your safety. When the provided plug does not fit into your outlet, consult an electrician for replacement of the obsolete outlet.
- Protect the power cord from being walked on or pinched particularly at plugs, convenience receptacles, and the point where they exit from the apparatus.
- Only use attachments/accessories specified by the manufacturer.
- Unplug this apparatus during lightning storms or when unused for long periods of time.
- Refer all servicing to qualified service personnel. Servicing is required when the apparatus has been damaged in any way, such as power-supply cord or plug is damaged, liquid has been spilled or objects have fallen into the apparatus, the apparatus has been exposed to rain or moisture, does not operate normally, or has been dropped.
- Use only with a cart, stand, tripod, bracket, or table specified by the manufacturer, or sold with the apparatus. When a cart is used, use caution when moving the cart/apparatus combination to avoid injury from tip-over.



## FCC Warnings

Warning: Changes or modifications to this unit not expressly approved by the party responsible for compliance could void the user's authority to operate the equipment.

NOTE: This equipment has been tested and found to comply with the limits for a Class B digital device, pursuant to Part 15 of the FCC Rules. These limits are designed to provide reasonable protection against harmful interference in a residential installation. This equipment generates, uses, and can radiate radio frequency energy and, if not installed and used in accordance with the instructions, may cause harmful interference to radio communications. However, there is no guarantee that interference will not occur in a particular installation. If this equipment does cause harmful interference to radio or television reception, which can be determined by turning the equipment off and on, the user is encouraged to try to correct the interference by one or more of the following measures:

- Reorient or relocate the receiving antenna.
- Increase the separation between the equipment and receiver.
- Connect the equipment into an outlet on a circuit different from that to which the receiver is connected.
- Consult the dealer or an experienced radio/TV technician for help.

This equipment complies with FCC radiation exposure limits set forth for an uncontrolled environment. This equipment should be installed and operated with minimum distance 20cm between the radiator and your body. This transmitter must not be co-located or operating in conjunction with any other antenna or transmitter.

---

## Battery Warnings

- **WARNING:** Do not ingest the battery, Chemical Burn Hazard.
- If the remote control supplied with this product contains a coin/button cell battery and the coin/button cell battery is swallowed, it can cause severe internal burns in just 2 hours and can lead to death.
- Keep new and used batteries away from children. If the battery compartment does not close securely, stop using the product and keep it away from children.
- If you think batteries might have been swallowed or placed inside and part of the body, seek immediate medical attention.
- **CAUTION:** Danger of explosion if battery is incorrectly replaced. Replace only with the same or equivalent type.
- **WARNING:** There is a danger of explosion if you attempt to charge standard Alkaline batteries in the unit. Only use rechargeable NiMH batteries.
- Battery shall not be exposed to excessive heat such as sunshine, fire or the like.
- Do not mix old and new batteries.
- Completely replace all old batteries with new ones.
- Do not mix alkaline, standard (carbon-zinc), or rechargeable (ni-cad, ni-mh, etc) batteries.
- Batteries should be recycled or disposed of as per state and local guidelines.

## Additional Warnings and Precautions

- **CAUTION: TO PREVENT ELECTRIC SHOCK, MATCH WIDE BLADE OF PLUG TO WIDE SLOT, FULLY INSERT.**
- Mains plug is used as disconnect device and it should remain readily operable during intended use. In order to disconnect the apparatus from the mains completely, the mains plug should be disconnected from the mains socket outlet completely.
- **CAUTION:** Use of controls or adjustments or performance of procedures other than those specified may result in hazardous radiation exposure.
- **WARNING:** Changes or modifications to this unit not expressly approved by the party responsible for compliance could void the user's authority to operate the equipment.
- **WARNING:** Use of this unit near fluorescent lighting may cause interference regarding use of the remote. If the unit is displaying erratic behavior move away from any fluorescent lighting, as it may be the cause.
- **WARNING:** Shock hazard - Do Not Open.
- Caution and marking information is located at the rear or bottom of the apparatus.
- **WARNING:** To reduce the risk of fire or electric shock, do not expose this apparatus to rain, moisture, dripping, or splashing.
- Objects filled with liquids, such as vases, shall not be placed on the apparatus.
- **WARNING:** This product may contain chemicals known to the State of California to cause birth defects, or other reproductive harm (California Prop 65). Wash hands after handling.
- This product meets and complies with all Federal regulations.



**WARNING:** To reduce the risk of electric shock, do not remove cover (or back). No user-serviceable parts inside. Refer servicing to qualified service personnel.



The exclamation point within an equilateral triangle is intended to alert the user to the presence of important operating and maintenance (servicing) instructions in the literature accompanying the appliance.



The lightning flash with arrowhead symbol, within an equilateral triangle, is intended to alert the user to the presence of un-insulated "dangerous voltage" within the product's enclosure that may be of sufficient magnitude to constitute a risk of electric shock to persons.



**WARNING:** This product can expose you to chemicals including lead, which is known to the State of California to cause cancer. For more information go to: [www.P65Warnings.ca.gov](http://www.P65Warnings.ca.gov)

# Table of Contents

---

<b>Setup</b> .....	<b>5</b>
Features	
Includes	
Power	
<b>Overview</b> .....	<b>6</b>
Speaker Front	
Speaker Top	
Controls	
<b>Connecting to Other Devices</b> .....	<b>10</b>
Pairing to a Bluetooth Device and Playing Audio Wirelessly	
Using the Aux In	
RCA Audio Output	
Connecting a USB Drive	

# Setup

## Features

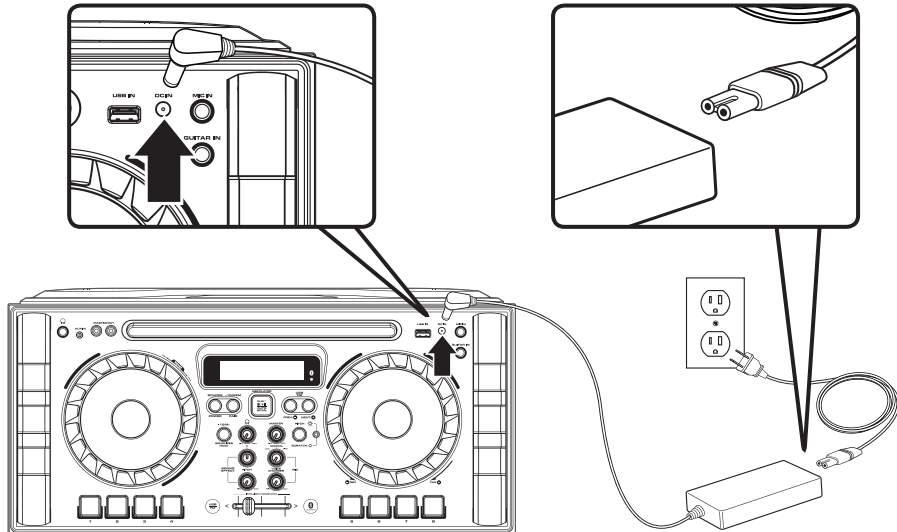
- Bluetooth Wireless - range 60 ft.
- Built-in dual speakers and subwoofer
- EQ presets
- USB input - up to 32GB, supports MP3
- Microphone input (1/4")
- Guitar input (1/4")
- Headphone Jack (1/4")
- Aux In (3.5mm audio input)
- Built-in FM receiver with up to 14 memory presets
- RCA stereo output
- 2x DJ jog wheels with DJ effects
- 8x DJ sound effects and jingles
- Music reactive LED lights
- LCD display
- Built-in smartphone/tablet stand

## Includes

- AC/DC power adapter

## Power

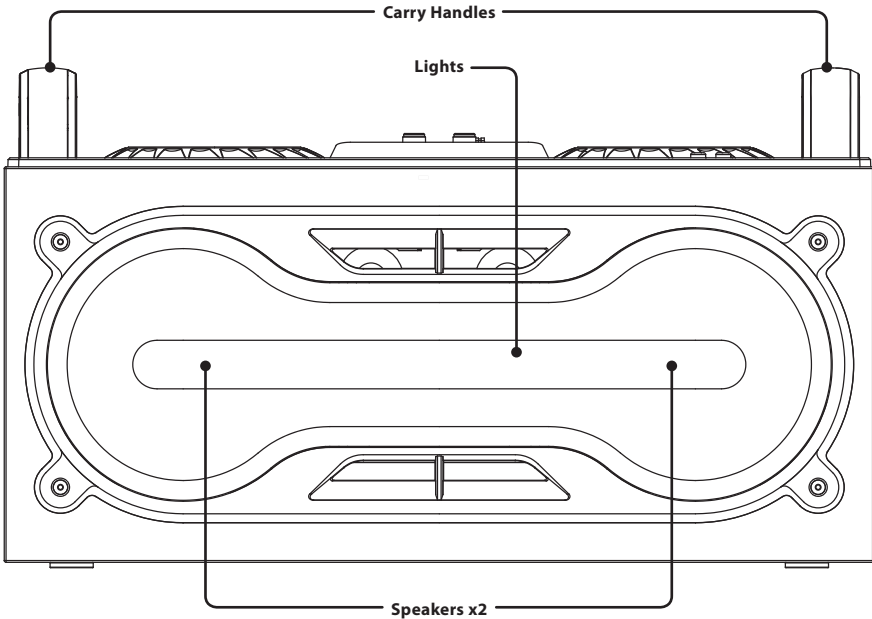
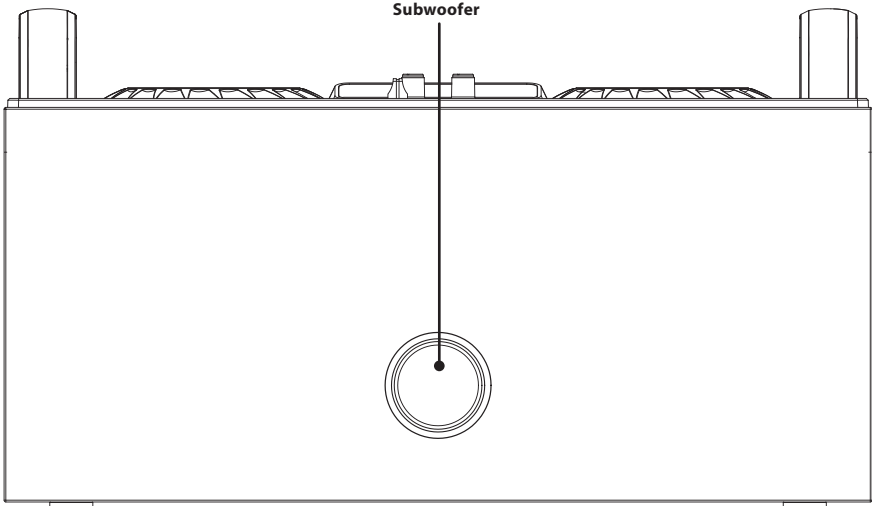
Plug the AC/DC power adapter (included) into a standard wall outlet with the included power cord and the DC power input on the top of the unit.



# Overview

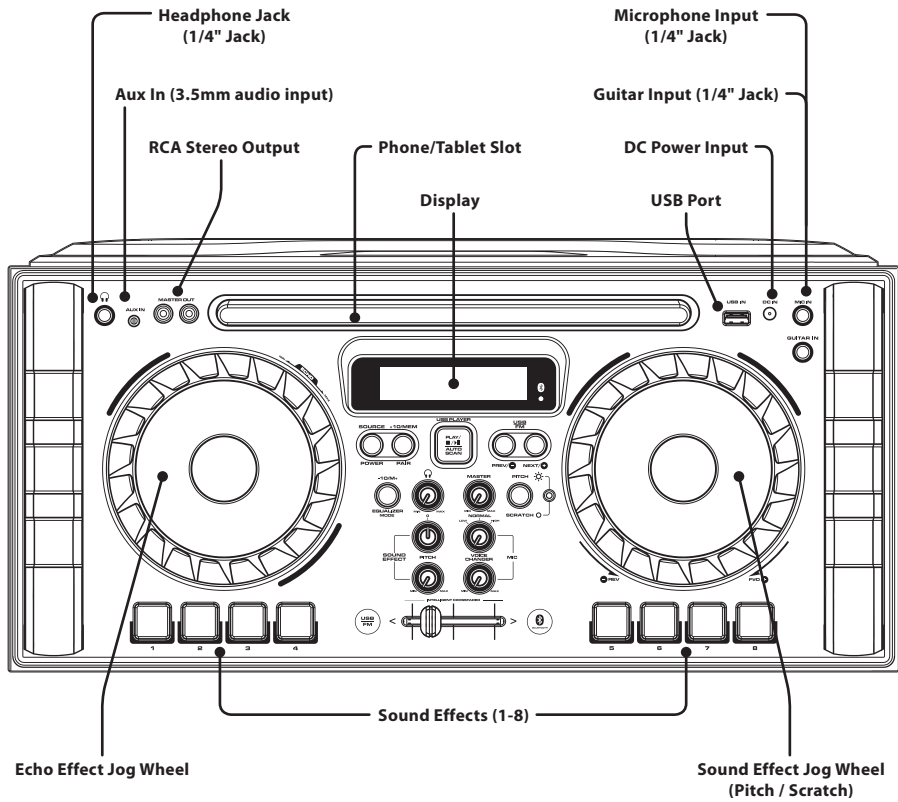
---

## Speaker Front & Rear



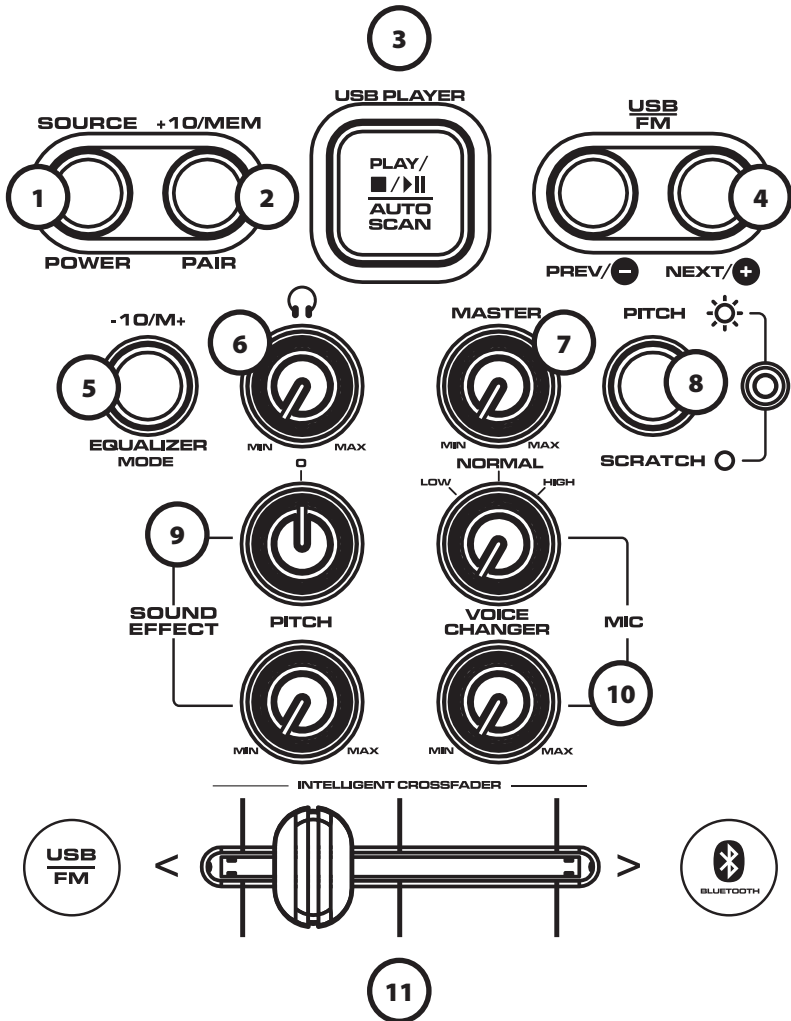
---

## Speaker Top



# Overview

## Controls





---

**1. Power / Source**

Press to power ON.  
Press to switch between FM and USB modes.  
Press and hold to power OFF.

**2. +10 / Mem / Pair**

Press to skip 10 tracks ahead (USB MODE).  
Press to set radio station to a chosen Memory Preset (FM MODE).  
Press and hold to pair to a Bluetooth device.

**3. Stop / Play / Pause / Auto Scan**

Press and hold to stop.  
Press to play, or pause audio (USB MODE).  
Press and hold to automatically scan FM radio frequencies and program radio presets (FM MODE).

**4. Prev - / Next +**

Press to tune FM radio (FM MODE).  
Press and hold to quickly scan for radio stations (FM MODE).  
Press to skip audio tracks (USB MODE).

**5. -10 / M+ / EQ**

Press to skip 10 tracks ahead (USB MODE).  
Press to choose Memory Preset 1-14 (FM MODE).  
Press and hold to choose equalizer setting: Rock, Classic, Jazz, Pop, or none.

**6. Headphone Volume**

Turn to adjust volume of connected headphones.

**7. Master Volume**

Turn to adjust volume of the speaker system.

**8. Pitch / Scratch**

Press to select function mode for the Right Effect Wheel. Light ON indicates Pitch selected.

**9. Sound Effects 1-8 Adjustment**

Turn to adjust Pitch and Volume for Sound Effects.

**10. Microphone Effect Adjustment**

Turn to adjust Pitch and Volume for the Mic input.

**11. Crossfade Slider**


Slide to adjust the fade between the USB/FM and Bluetooth sources. Adjust fully to one or the other to only hear that source.

# Connecting to Other Devices

## Pairing to a Bluetooth Device and Playing Audio Wirelessly

After initial pairing to a Bluetooth device, the unit will stay paired unless unpaired manually by the user, or erased due to a reset of the device. If your device should become unpaired or you find it is unable to connect, repeat these steps.

Audio played through Bluetooth will play in both FM and USB Modes.

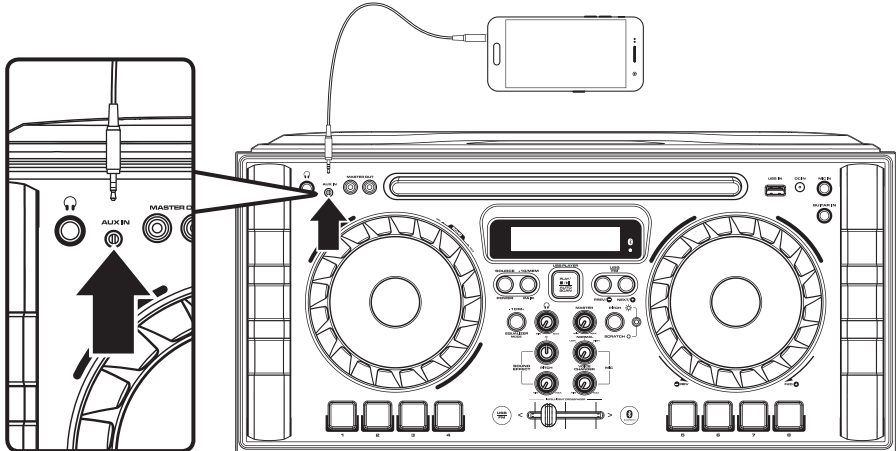
1. When the unit powers on, the system is automatically ready to pair to a device, indicated by a slowly flashing blue light under the  symbol.
2. Press and hold the **Pair** button until the pairing indicator begins flashing quickly. *When pairing, remain within 3 feet of the unit.*
3. From your smartphone or other Bluetooth device, access Bluetooth Settings and search for nearby devices. Select **IJDJ787** when it is discovered.
4. When successfully paired, a chime will sound and the pairing indicator will change to a solid blue. Audio played from the connected device should now be heard through the speaker. Use the controls on the connected Bluetooth device to select and begin playing audio.

## Using the Aux In

Audio played through the Aux In will play in both FM and USB Modes.

3.5 mm audio input cable not included.

1. Using a 3.5 mm audio input cable, connect the **Aux In** on the unit and the audio output/headphone jack on a smartphone, tablet, or other audio source.
2. The unit will detect the connection automatically. Audio played through the connected device will now be heard through the speaker.

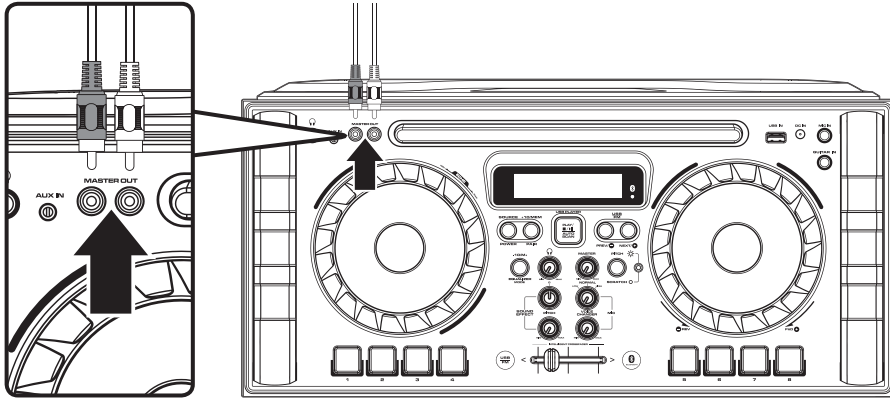


---

## RCA Audio Output

Requires RCA audio cables (red/white, not included).

1. Connect RCA stereo audio cables to the **Master Output** on the unit and the **RCA audio inputs** on an external audio system or device.
2. Adjust the external stereo system to accept input from the speaker.
3. Audio played through the speaker will now be heard through the connected stereo system.



## Connecting a USB Drive

1. Load a USB thumb drive into the USB Port on the speaker.
2. Press the **Source** button to switch to **USB Mode**.
3. Use the controls on the speaker play content from the connected USB thumb drive.

