



| iDance®

# ***BB10K*** Instruction Manual

**PARTY  
BALL**



**Thank you for purchasing iDance Audio System**

---

PLEASE READ THIS USER MANUAL COMPLETELY BEFORE OPERATION THIS UNIT AND RETAIN THIS BOOKLET FOR FUTURE REFERENCE.

# WHAT'S IN THE BOX

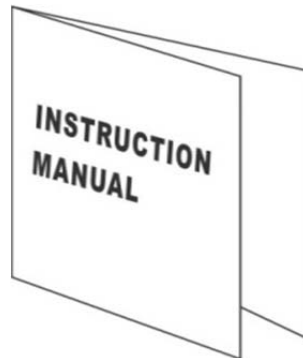
---

## Contents

1. iDance **BB10K**



2. Instruction Manual



## OVERVIEW

---

The iDance **BB10K** is a Wireless all-in-one DJ Party box System with an integrated mixer, which accepts microphone, guitar, line-in audio, and stereo Bluetooth wireless audio up to 10 meters. Only few simple steps to pair your device!!

The **BB10K** is perfect for DJ, house / pool / yard party, or for karaoke applications. Take your sound with you on the go!!

Thank you, and congratulations on your choice of iDance's **BB10K** !

# WARNING

WARNING: TO REDUCE THE RISK OF FIRE OR SHOCK, DO NOT EXPOSE THIS PRODUCT TO RAIN OR MOISTURE



The exclamation mark inside an equilateral triangle is intended to alert user of the presence of the important operating and maintenance (servicing) instructions in the literature accompanying the product.

|   |   |  |
|---|---|--|
|   | <b>CAUTION</b><br><b>RISK OF ELECTRIC SHOCK</b><br><b>DO NOT OPEN</b> |  |
| CAUTION: TO REDUCE THE RISK OF FIRE OR SHOCK, DO NOT REMOVE COVER OR BACK. NO USER-SERVICEABLE PARTS INSIDE. REFER SERVICING TO QUALIFIED PERSONNEL |   |  |

Class II equipment symbol

This symbol indicates that the unit has a double system.



The lightning flash with arrowhead symbol inside an equilateral triangle is intended to alert User of the presence of un-insulated "hazardous voltage" within the product's enclosure, which may be of sufficient magnitude to induce a risk of electric shock to persons

- **NOTES** : Please do not attempt to open the back cover or power adapter as opening or removing the covers may expose you to dangerous voltage or other hazards, and it will also cause the restricted servicing to be disabled: There are no user servicing components inside.
- **NOTES** : This digital apparatus does not exceed the Class B limits for radio noise emissions from digital apparatus as set out in the Radio Interference Regulations of Industry Canada. These limits are designed to provide reasonable protection against harmful interference in a residential installation.

## FCC Caution.

This device complies with part 15 of the FCC Rules. Operation is subject to the following two conditions: (1) This device may not cause harmful interference, and (2) this device must accept any interference received, including interference that may cause undesired operation. Any Changes or modifications not expressly approved by the party responsible for compliance could void the user's authority to operate the equipment.


**NOTES** : This equipment has been tested and found to comply with the limits for a Class B digital device, pursuant to part 15 of the FCC Rules. These limits are designed to provide reasonable protection against harmful interference in a residential installation. This equipment generates uses and can radiate radio frequency energy and, if not installed and used in accordance with the instructions, may cause harmful interference to radio communications. However, there is no guarantee that interference will not occur in a particular installation. If this equipment does cause harmful interference to radio or television reception, which can be determined by turning the equipment off and on, the user is encouraged to try to correct the interference by one or more of the following measures:

- Reorient or relocate the receiving antenna.
- Increase the separation between the equipment and receiver.
- Connect the equipment into an outlet on a circuit different from that to which the receiver is connected.
- Consult the dealer or an experienced radio/TV technician for help.

The device has been evaluated to meet general RF exposure requirement. The device can be used in portable exposure condition without restriction.

# IMPORTANT SAFETY INSTRUCTIONS

---

1. Read these instructions.
2. Keep these instructions. Heed all warnings.
3. Follow all instructions.
4. Do not use this apparatus near water.
5. Clean only with dry cloth.
6. Do not block any ventilation openings.
7. Install in accordance with the manufacturer's instructions.
8. Do not install near any heat sources such as radiators, heat registers, stoves, or other apparatus (including amplifiers) that produce heat.
9. Do not defeat the safety of the polarized or the polarized or grounding-type plug. A polarized plug has two blades with one wider than the other. A grounding type plug has two blades and a third grounding prong. The wide blade or the third prong are provided for your safety. If the provided plug does not fit into your outlet, consult an electrician for replacement of the obsolete outlet.
10. Protect the power cord from being walked on or pinched particularly at plugs, convenience receptacles, and the point where they exit from the apparatus.
11. Only use attachments/accessories specified by the manufacturer.
12. Use only with the cart, stand, tripod, bracket, or table specified by the manufacture, or sold with the apparatus. When a cart is used, use caution when moving the cart/apparatus combination to avoid injury from tip-over. Portable Cart Warning 
13. Unplug this apparatus during lightning storms or when unused for long periods of time.
14. Refer all servicing to qualified service personnel. Servicing is required when the apparatus has been damaged in any way such as power-supply cord or plug is damaged, liquid has been spilled or objects have fallen into the apparatus, the apparatus has been exposed to rain or moisture does not operate normally, or has been dropped.
15. The apparatus shall not be exposed to dripping or splashing and no objects filled with liquids, such as vases, shall be placed on the apparatus.
16. The battery shall not be exposed to excessive heat such as sunshine, fire or the like.
17. The MAINS plugs used as the disconnect device, which shall remain readily operable.

# FEATURES

---

- Bluetooth wireless stereo audio streaming
- Support A2DP Profiles for most smart phones / laptops
- Aux In input (3.5 mm Stereo Mini Jack)
- Mic In input (6.3mm Jack)
- Disco ball with Disco light effect
- Micro USB jack for battery charging
- Built-in battery for unit power

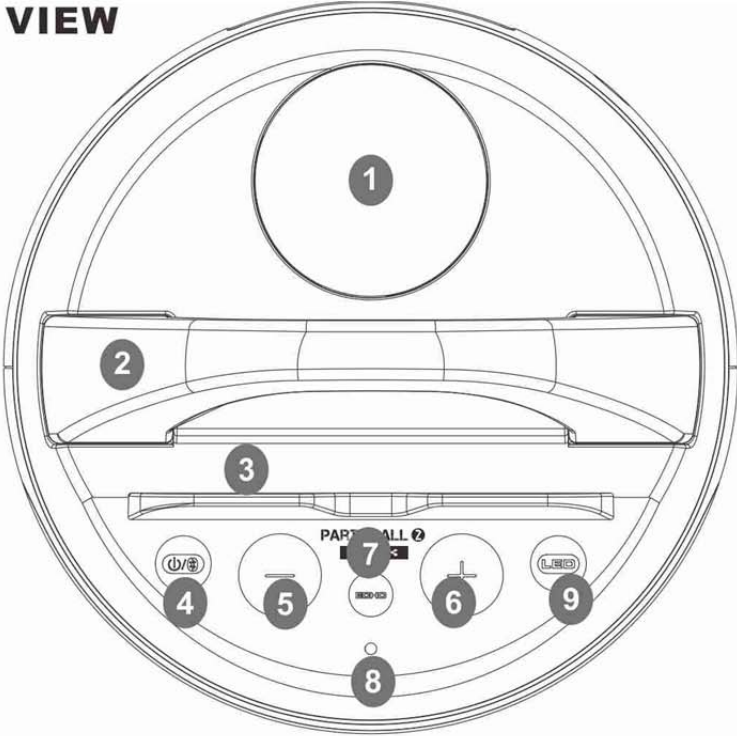
# CONTENTS

---

|                                     |   |
|-------------------------------------|---|
| WHAT'S IN THE BOX .....             | 1 |
| OVERVIEW .....                      | 1 |
| WARNING .....                       | 2 |
| IMPORTANT SAFETY INSTRUCTIONS ..... | 3 |
| FEATURES .....                      | 4 |
| CONTENTS .....                      | 4 |
| CONTROL LOCATION .....              | 5 |
| CONTROL LOCATION .....              | 6 |
| GENERAL OPERATIONS .....            | 7 |
| TROUBLESHOOTING .....               | 8 |
| SPECIFICATIONS .....                | 8 |

# CONTROL LOCATION

## TOP VIEW



## REAR VIEW



# CONTROL LOCATION

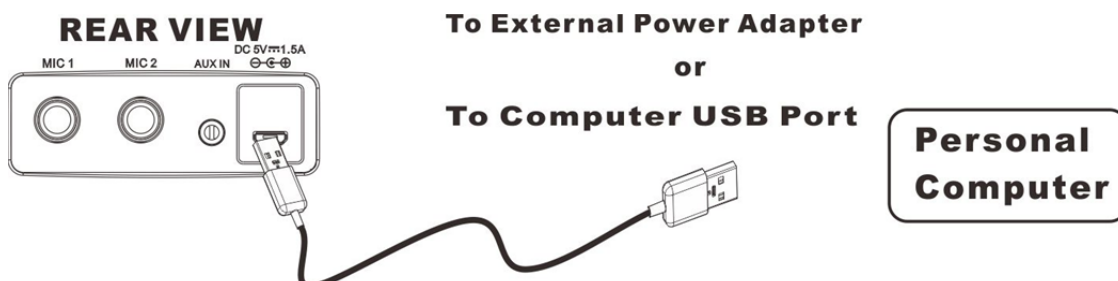
---

- 1. DISCO BALL**  
Show the different color LED light show.
- 2. HANDLE**  
For move the unit to other location.
- 3. DEVICE CRADLE**  
Place your tablet or smartphone there.
- 4. STD BY Button**  
Press the button to turn on or off main power.
- 5. VOLUME - Buttons**  
Press to decrease the master volume sound level.
- 6. VOLUME + Buttons**  
Press to increase the master volume sound level.
- 7. ECHO Button**  
Press to turn on / off the echo sound effect.
- 8. LED Indicator**  
Bluetooth Mode: The indicator will light when bluetooth pairing successful. The indicator will be flash when bluetooth start pairing now.  
Battery Charging Mode: When DC In jack connect power, the indicator will be light red. If charging successful, the indicator will be light OFF.
- 9. LED Button**  
Press the button to turn on / off disco light show.
- 10. MIC INPUT (1/4" Jack)**  
6.3mm jack for connecting microphone.
- 11. AUX In (Line Input / Audio Input) 3.5MM Input Jack**  
Connect a music device (MP3 player etc.) to this socket with a 3.5mm mini jack audio cable to play through **BB10K** and the **LED** indicator flashing slowly.
- 12. MICRO USB JACK**  
Connect the USB cable to charging the built-in battery.

# GENERAL OPERATIONS

## Connect to external adapter or computer USB port

Connect micro USB plug of USB cable to main unit micro USB jack and plug the other to computer USB output port or external adapter output port.



### ➤ Charging Battery

1. Charging the built-in battery by connect power of 10-12 hours prior to first use.
2. When the built-in battery charging now, the charging indicator light red.
3. If the charging indicator is now at rest that the built-in battery fully charging.
4. When unit power low, please recharging the battery again.

### ➤ Battery Safety Notes:

1. To prolong the life of a rechargeable battery, it is recommended to completely discharge it before fully charging it again.
2. Do not dispose of built-in battery in fire, battery may be explode or leak.
3. Do not open the built-in battery may be explode.

## Connecting Bluetooth to your Smartphone I Tablet

1. Press the **STAND BY** button to turn on unit first. If necessary, hold the button to start connecting ( Blue indicator flash fast).
2. On your smartphone / Tablet, turn on Bluetooth and enable device scanning.
3. When **BB10K** shows on the Bluetooth scan, select it to connect it to your device.
4. When both devices are successfully connected (indicator light red), you are ready to play music wirelessly from your device.
5. Press the **PLAY** button of external Bluetooth device to start music playback.
6. Press the **NEXT / PREV (BLUETOOTH)** of external Bluetooth device to switch between music tracks.
7. Hold the **STAND BY** button to reconnect other Bluetooth device.





# TROUBLESHOOTING

If you have followed the instructions and are having difficulty operating the unit, locate the PROBLEM in the left column below. Check the corresponding POSSIBLE CAUSE AND SOLUTION column to locate and fix the problem.

| PROBLEM                                  | POSSIBLE CAUSE AND SOLUTION   |
|--|---|
| Bluetooth cannot connect to <b>BB10K</b> | <ul style="list-style-type: none"> <li>■ Make sure no other device from your friend or family is connected to <b>BB10K</b>. When <b>BB10K</b> Bluetooth is connected, press BLUETOOTH button would stay ON. So make sure <b>BB10K</b> indicating Bluetooth is ready to connect. Also make sure your smartphone / tablet is located close to <b>BB10K</b> less than 2 meters when pairing.</li> <li>■ Hold the BLUETOOTH button to reconnect again.</li> </ul>   |
| Intermittent Bluetooth music streaming   | <ul style="list-style-type: none"> <li>■ The wireless Bluetooth distance of <b>BB10K</b> is about 7-10 meter in open area. Below conditions could block you Bluetooth signal and please ensure you would get rid of those:               <ul style="list-style-type: none"> <li>■ Metal protection on case for your phone/tablet</li> <li>■ Metal or wall is blocking in between your phone / tablet and <b>BB10K</b></li> <li>■ Another Bluetooth device is working close to <b>BB10K</b></li> </ul> </li> </ul> |
| No sound on selected source              | <ul style="list-style-type: none"> <li>■ Ensure that the <b>BB10K</b> is powered ON</li> <li>■ Check the ext. device volume.</li> <li>■ Check the volume level on paired Bluetooth device</li> <li>■ Battery power low / connection USB cable and charging power again.</li> </ul>  |

# SPECIFICATIONS

|                           |  |
|---------------------------|--|
| DC IN Power               | <b>DC 5V , 800mA ( for battery charging)</b> |
| Built-In Battery          | <b>3.7V , 1000 mAh</b>                       |
| SOUND SOURCE INPUT        | <b>Bluetooth, Mic in, Aux in,</b>            |
| Total Harmonic Distortion | Below 10% at Standard Output                 |
| Signal to Noise Ratio     | Over 41dB                                    |
| Master Power Output       | <b>1.8W</b> RMS                              |

Specifications are typical, individual units might vary. They are subject to continuous improvement without notice and without incurring any obligation.