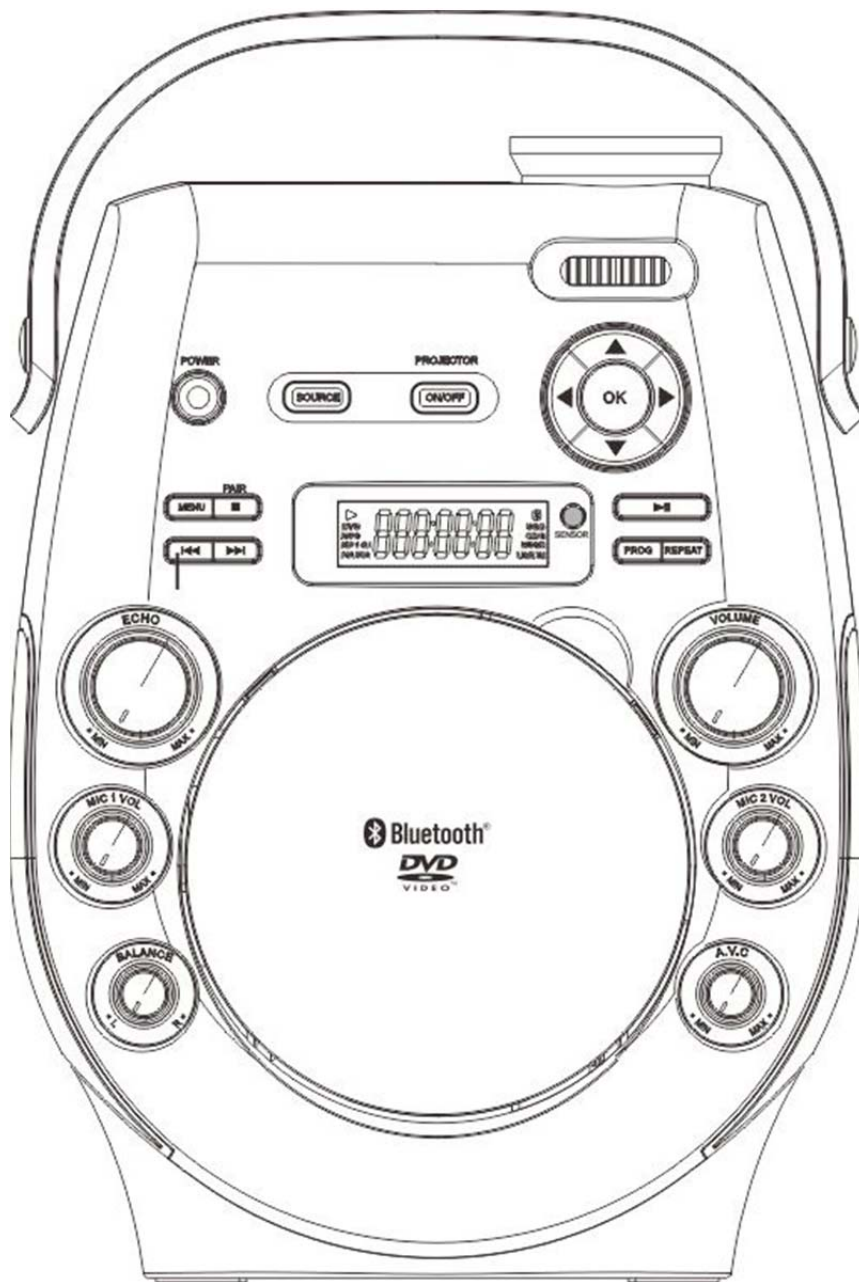


Party Projector

Karaoke Movie Music System

IJP557B



User's Guide

SAFETY INSTRUCTIONS & WARNINGS



This product utilizes a class 1 laser to read compact Discs. This laser compact Disc Player is equipped with safety switches to avoid exposure when the CD door is open and the safety interlocks are defeated. invisible laser radiation is present when the Player's lid is open and the system's interlock has failed or been defeated. it is very important that you avoid direct exposure to the laser beam at all times. Please do not attempt to defeat or bypass the safety switches.

FCC Warnings

Warning: Changes or modifications to this unit not expressly approved by the party responsible for compliance could void the user's authority to operate the equipment.

Note: This equipment has been tested and found to comply with the limits for a class b digital device, pursuant to Part 15 of the Fcc Rules and Canada standard. These limits are designed to provide reasonable protection against harmful interference in a residential installation. This equipment generates, uses, and can radiate radio frequency energy and, if not installed and used in accordance with the instructions, may cause harmful interference to radio communications. however, there is no guarantee that interference will not occur in a particular installation. if this equipment does cause harmful interference to radio or television reception, which can be determined by turning the equipment off and on, the user is encouraged to try to correct the interference by one or more of the following measures:

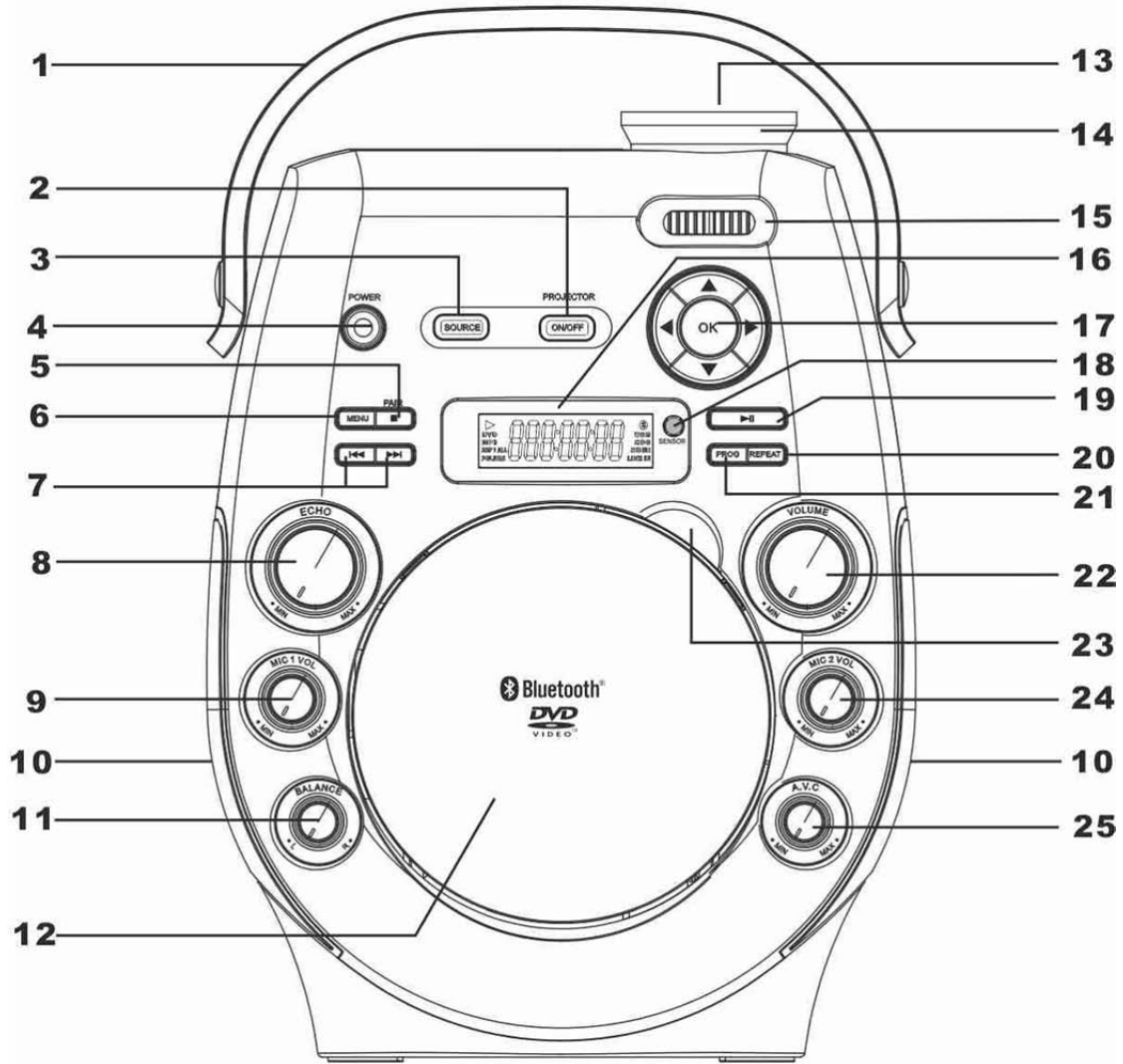
- Reorient or relocate the receiving antenna.
- Increase the separation between the equipment and receiver.
- Connect the equipment into an outlet on a circuit different from that to which the receiver is connected.
- Consult the dealer or an experienced radio/TV technician for help.

The distance between user and products should be no less than 20cm

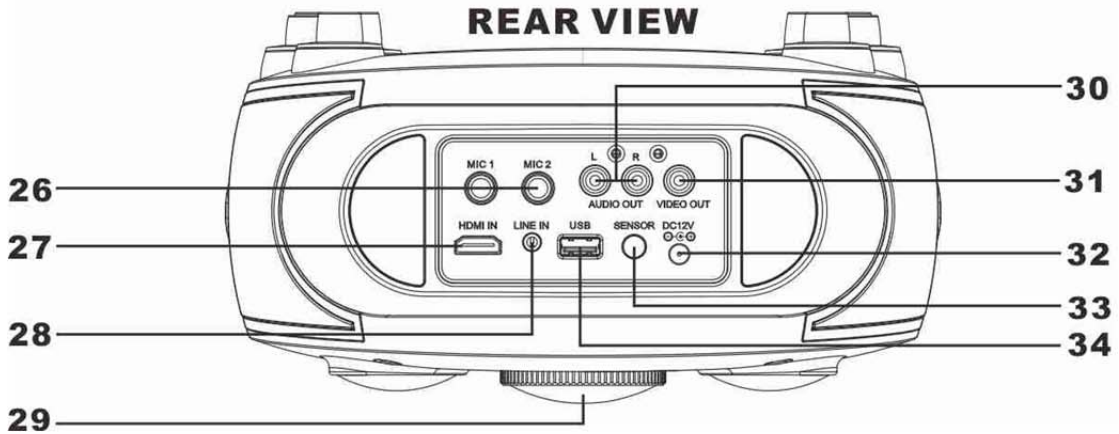
FCC ID: SSM3931367

MAIN UNIT LOCATION CONTROLS 1.1

TOP VIEW



REAR VIEW

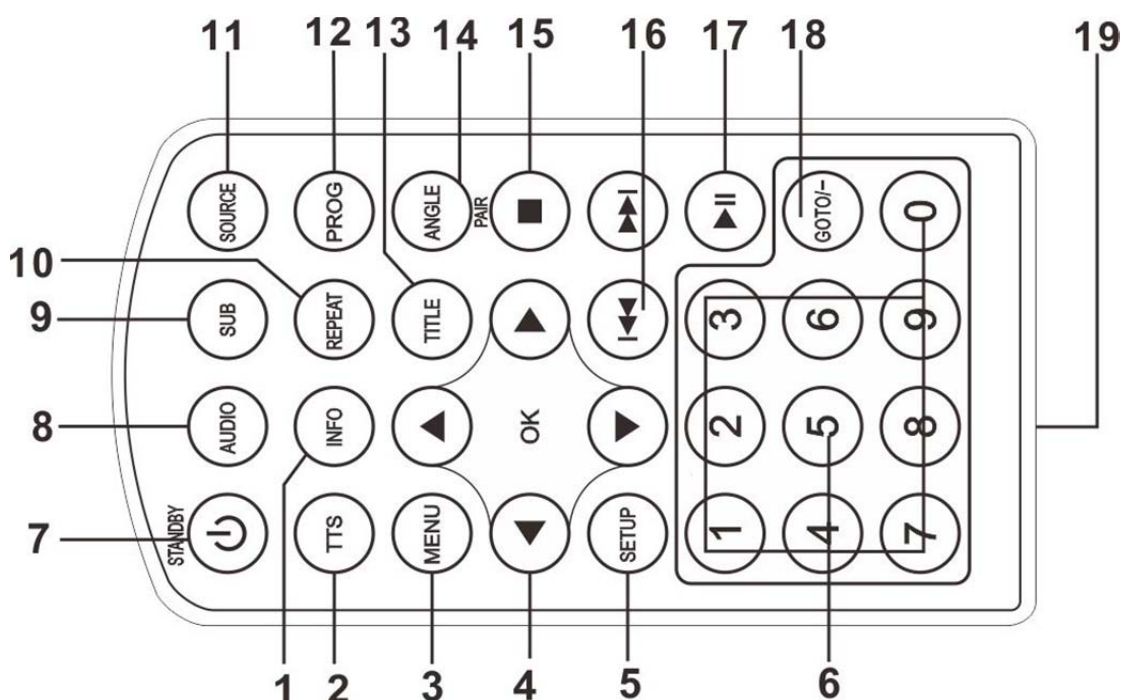


MAIN UNIT LOCATION CONTROLS 1.2

1. **CARRY HANDLE:** Use to remove the unit to other place.
2. **PROJECTOR ON/OFF Button:** Press to turn on / off projector.
3. **SOURCE Button:** Press to select DVD / USB / LINE IN / Bluetooth.
4. **⏻ POWER Button:** Press to turn on or off the unit.
5. **PAIR / ■ STOP Button:** Press to stop a disc playing Hold to reconnect Bluetooth pairing connection, when unit on Bluetooth mode.
6. **MENU Button:**
7. **⏮ / ⏭ SKIP/ SEARCH Button :**
8. **ECHO Dial:** Rotate to adjust echo sound effect.
9. **MIC 1 VOL Dial:** Rotate to adjust the volume from the microphone.
10. **BALANCE Button:**
11. **SPEAKER:** Built-in speaker for bigger sound output.
12. **CD DOOR:** Open the door to install or remove disc.
13. **PROJECTOR LENS COVER:** Remove the cover before use projector.
14. **PROJECTOR FOCUS Adjust:** Rotate to adjust focus of projector screen.
15. **PROJECTOR TRAPEZOIDAL Adjust:** Rotate to correct the rectangle rescreen.
16. **LCD Display:** Show disc playing information
17. **NETVIDATOR Buttons:** Four direction select keys and OK key.
18. **SENSOR Front Side:** Use remote pointer to sensor to control unit.
19. **PLAY / PAUSE Button:** Press to play or pause a loader disc.
20. **PROG Button:** Press to program the loader disc to play tracks in specified order..
21. **REPEAT Button:** Press repeatedly to set the current track or entire disc to repeat playing.
22. **MASTER VOLUME Dial:** Rotate to adjust the main volume sound level.
23. **CD Door Open Area:** Use the location area to open the CD door.
24. **MIC 2 VOL Dial:** Rotate to adjust the volume from the microphone.
25. **AVC Dial:** Rotate to adjust the automatic voice control.
26. **MIC 2 Inputs:** Rotate to adjust the volume from the microphone.
27. **HDMI Input:** Connect to TV HDMI output.
28. **AUX IN (LINE in / Audio in) :** Connect to external device audio output.
29. **PROJECTOR TILT FOOT :** To adjust to correct projector screen.
30. **AUDIO OUT RCA Jack:** Connect to TV / ext. device audio input.
31. **VIDEO OUT RCA Jack:** Connect to TV video input.
32. **DC INPUT Jack:** Connect power adapter for AC power.
33. **SENSOR Rear Side:** Use remote pointer to sensor to control unit.

34. **USB Input:** Connect to USB device.


REMOTE LOCATION CONTROLS 1.1

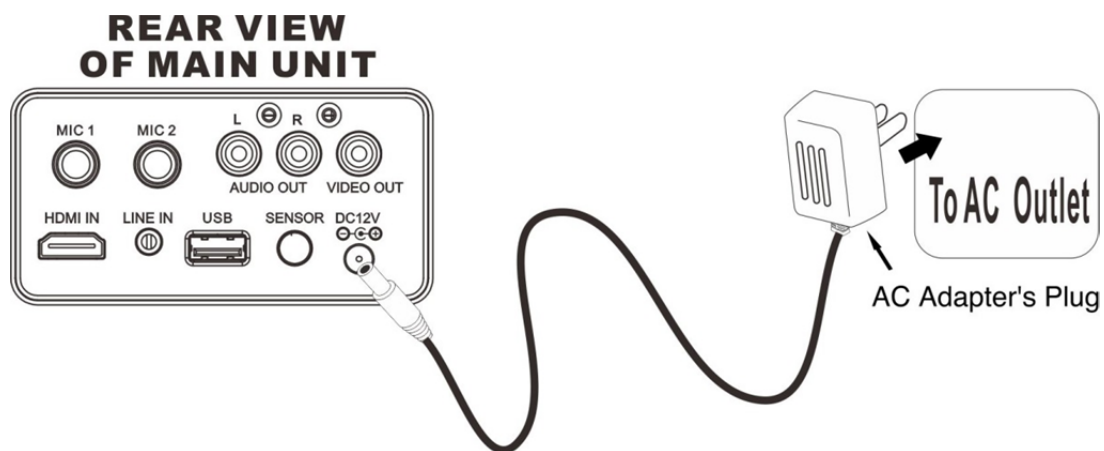


1. **INFO** : Show disc information on screen
2. **TTS**
3. **MENU**: Press to enter DVD menu
4. **NETVIGATOR**: Four direction select keys and OK key.
5. **SETU** : Press to enter DVD setup menu
6. **0-9 NUMBER**: Press to DVD select number
7. **⏻ STANDBY**: Press to turn on or off the unit.
8. **AUDIO**: Press to access various function.
9. **SUB**: Select DVD subtitle on multi-language
10. **SOURCE**: Press to select DVD / USB / LINE IN / Bluetooth
11. **REPEAT**: Allow you to repeat a title, chapter, track or disc.
12. **PROG**: Press to program the loader disc to play tracks in specified order..
13. **TITLE**: Press to switch the disc/DVD's subtitle language.
14. **ANGLE**: Press to select camera angle.
15. **■ STOP**: Press stop a disc playing.
16. **⏮ / ⏭ SKIP/SRACH**: Press to search/skip backwards or forwards.
17. **▶|| PLAY/PAUSE**: Press to play or pause a loader disc.
18. **GOTO/-** : Use to jump to other track / chapter.
19. **BATTERY COMPARTMENT**: Installed battery for remote power.

SETUP POWER

Connect Power Adapter

Plug the included AC adapter into the standard AC power outlet to power the unit. Connect small end to **DC INPUT** jack of your unit. After adapter connection, Press  POWER button (unit or remote) to turn on unit. slide the SOURCE selector of your unit to DVD /USB /LINE IN / Bluetooth mode.

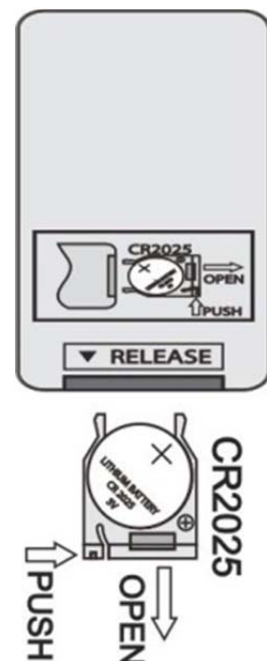


Notes For Remote Control

To activate the mote control, remove the little tag sticking out of the battery compartment by pulling on it. Once the tag is removed the remote will be ready for use.

Replacing the Battery of remote control

- Batteries shall not be exposed to excessive heat such as sunshine, fire
- Be sure that the batteries are installed polarity correctly.
- Only same or equivalent type batteries as recommend are to be used.
- Do not dispose of batteries in fire, battery may explode or leak. Do not try to recharge a battery.



PLACE PROJECTOR

Select the location with the projector placed near the floor in front of the screen. Remove the lens cover of unit and turn on power. Make sure the projector light on (press the **PROJECTOR ON/OFF** button).This is the most common way to position the projector for quick setup and portability.

Use below setting to correct the viewing image.

TILT FOOT

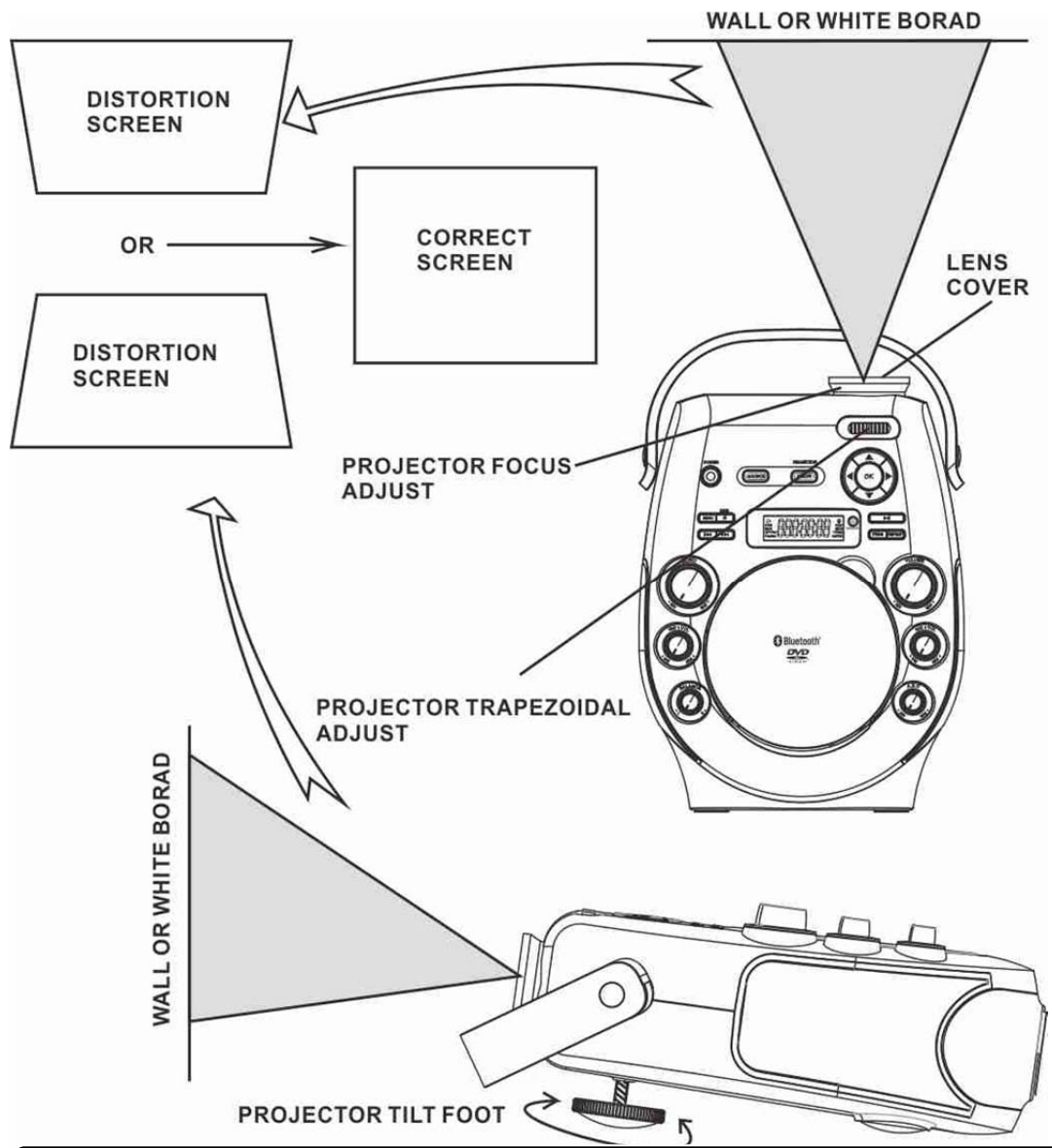
The tilt foot height can be adjusted by its turn to adjust the height of the projected image

PROJECTOR TRAPEZOIDAL ADJUST

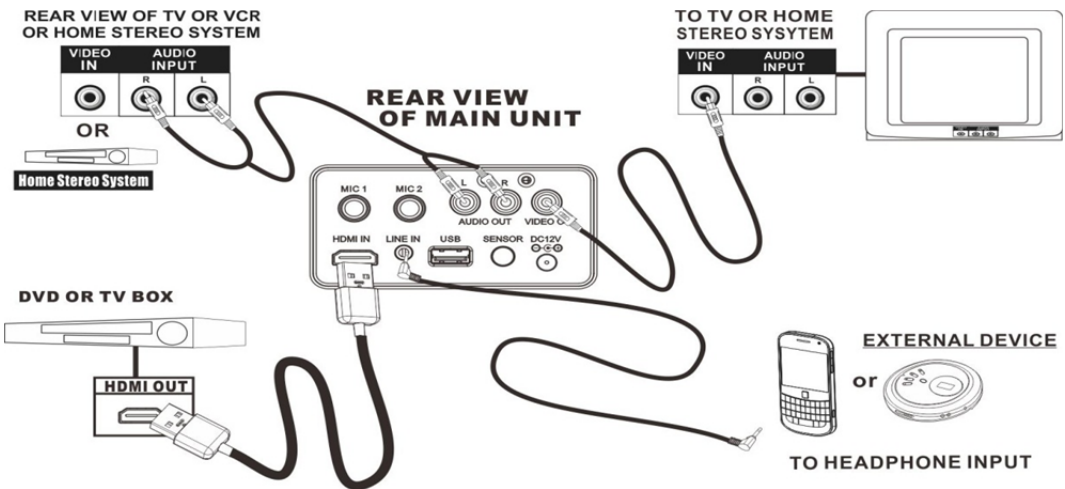
If the projector image is distorted, slide it to adjust projected image

PROJECTOR FOCUS ADJUST

If the projector image not cleared, rotate it to adjust projected image



CONNECTING TO A TELEVISION / DVD / EXT. DEVICE



Composite Video output

1. Require an RCA video cable. Plug the included RCA audio/video cable

- into the **VIDEO OUT** and a composite video input on a television.
2. Adjust the television to the correct input setting.
 3. When playing a CDG / DVD discs,
 4. Press the **PROJECTOR ON/OFF** button to turn off projector and the unit will output written lyrics / video / image to the connected television

RCA Audio Output

1. **Require an RCA audio cable.** Plug the included RCA audio/video cable into the **AUDIO OUT** and a RCA audio input on a television or stereo system.
2. Adjust the television or stereo system to the correct input setting.
3. When playing the disc, the unit will output audio to the connected television or stereo system. Use the external device to control the output sound level.

HDMI Input

1. **Require an HDMI cable.** Plug the HDMI cable into the HDMI input and connect end to a HDMI output of external device.
2. Turn on both units and set collect source
3. After connection, the external device will sound from your unit speaker and the external device video will on show on projector.

AUX IN (LINE In / AUDIO In)

1. To connect a MP3 Player or other Audio Device you will need a 3.5mm Auxiliary Cable.
2. Connect a 3.5 mm Auxiliary Cable to the **LINE IN** jack on front of unit and to the Audio Output or Phones on the audio device you wish to play.
3. Rotate the **SOURCE** selector of unit to **LINE IN** mode. Turn on both units.
4. After connection, the external device will sound from your unit speaker.

INSTALL CD+G, CDS , VCD , DVD , USB

Loading a Disc

1. Connect power (follow **SETUP POWER** page) .
2. Pull the **CD DOOR OPEN AREA** to open the **CD DOOR**.
3. Place a **DVD / VCD / CD's / CDG** into the **CD** compartment.
4. Close the **CD DOOR**.
5. Press the **SOURCE** button to DVD position. The disc playback start.

Loading a USB Memory Stick

1. Connect power (follow **SETUP POWER** page) .
2. Pull the **CD DOOR OPEN AREA** to open the **CD DOOR**.
3. Place a **DVD / VCD / CD's / CDG** into the **CD** compartment.
4. Close the **CD DOOR**.

5. Press the **SOURCE** button to USB position. The USB playback start.

USING PLAY/ PAUSE CD+G, CDS , DVD , USB

1. Follow the instructions for Loading a Disc or Loading a USB Memory Stick
2. After install disc or USB, the unit will be start play automatically.
3. If unit not start play, press the ►|| **PLAY/ PAUSE** button to begin playing the loaded disc or USB. Rotate the **MASTER VOLUME** dial to select the sound level.
4. To temporarily stop playing, press the ►|| **PLAY/PAUSE** button once to pause mode. To resume play, press the ►|| **PLAY /PAUSE** button again.

FAST SKIP / SEARCH TRACK OF CD+G, CDS , DVD , USB

NETVIGATOR buttons or **GOTO** button to fast skip/ search

1. Press ◀◀ / ▶▶ **SKIP / SEARCH** buttons to skip between next or previous tracks or chapter
2. Press **NETVIGATOR** buttons to search special tracks or chapter. Press the **OK** of **NETVIGATOR** button to start play of selected tracks or chapter.
3. Press **NUMERIC** buttons to key in special track or chapter number. After selection, unit will start play of selected tracks or chapter.
4. Press **GOTO** button once and press **NUMERIC** buttons to special track or chapter number. After selection, unit will jump to selected tracks or chapter to start play.

REPEAT AND PROGRAM OF CD+G, CDS , DVD , USB

Repeat Function

Press the **REPEAT** button, the indicator light on projector screen or TV screen.

1. When disc / USB playback, press the **REPEAT** button once to play the current track or chapter repeatedly. **REP:** [REP 1] light on screen.
2. When disc / USB playback, press the **REPEAT** button twice to play the dir (album) repeatedly. **REP:** [REP DIR] light on screen.
3. When disc / USB playback, press the **REPEAT** button three time to play the entire disc repeatedly. **REP:** [REP ALL] light on screen.
4. To cancel the repeat function: press the **REPEAT** button repeatedly until the **REP “ off ”** light .or press the ■ **STOP** button twice to stop.

Programming a Disc

1. When disc / USB playing, press the **PROG** button and the program menu light on projector screen or TV screen.
2. Press **NETVIGATOR** buttons to search special tracks and press **OK** button of **NETVIGATOR** buttons to confirm
3. Repeat above step to more program location.
4. Press **NETVIGATOR** buttons to move cursor to recycle box and press **OK** button of **NETVIGATOR** buttons to erase all program setting.
5. Press the **▶|| PLAY** button to start the program playing.
6. Press the **■ STOP** button twice to cancel a program.

DVD special function

Main Menu on DVD Disc

Press **MENU** button to go back disc menu.

When disc title menu appears on the screen,. Press the navigator to select different play option.

AUDIO Type on DVD Disc

Press **AUDIO** button of remote to select different desired audio format if it is available on disc you are playing.

- To select the audio multi-channel (right / left / mix or stereo / mono).
- To select the audio multi-language (English , French , Spanish).
- To select the different audio sound effect (5.1 channel / 2.1 channel).

SUB-Subtitle on DVD Disc

Press the **SUB** button of remote repeated:

To select different desired subtitle language or off (disappear on screen) if it is available on disc you are playing.

TITLE on DVD Disc

Press the **TITLE** button once when disc playing
The disc will go back the first tilt and start playing.

TTS on DVD Disc

Press the **TITLE** button of remote to turn on / off function.
When TTS function turn on: Press any key, the unit will reply to you some voice command.

INFO on DVD Disc

Press the **INFO** button on the remote when disc playing:
Show the disc playback information (for example. Title or chapter number, elapsed playing time, audio/subtitle language)' a number of operations can be done without interrupting disc playback.

ANGLE Function on DVD Disc

Press the **ANGLE** button of remote repeated
To select different desired angle if it is available on disc you are playing.

Use 0-9 of Remote

Press the **0-9** button of remote when unit playing.
Select to special track or chapter number. After selection, unit will jump to selected tracks or chapter to start play.

USING BLUETOOTH

Connecting Bluetooth to your Smartphone | Tablet

1. Press the **POWER** button to turn on unit.
2. On your smartphone / Tablet, turn on Bluetooth and enable device scanning.
3. When **xx-672** shows on the Bluetooth scan, select it to connect it to your device.
4. When both devices are successfully connected, you are ready to play music wirelessly from your device.
5. Press the **PLAY** button of the unit external Bluetooth device to start music playback.
6. Press the **◀◀/▶▶** of the unit next / previous of external Bluetooth device to switch between music tracks.
7. Press the **/**
8. Hold the **BLUETOOTH** button to reconnect other Bluetooth device.

USING AVC / ECHO / BALANCE

AVC

The **AVC** (Automatic Voice Control) dial of unit adjusts the volume of the unit to compensate for varying levels of volume from the connected microphone. Turn the dial to adjust the degree to which the Automatic Voice Control compensates for variations in volume.

ECHO

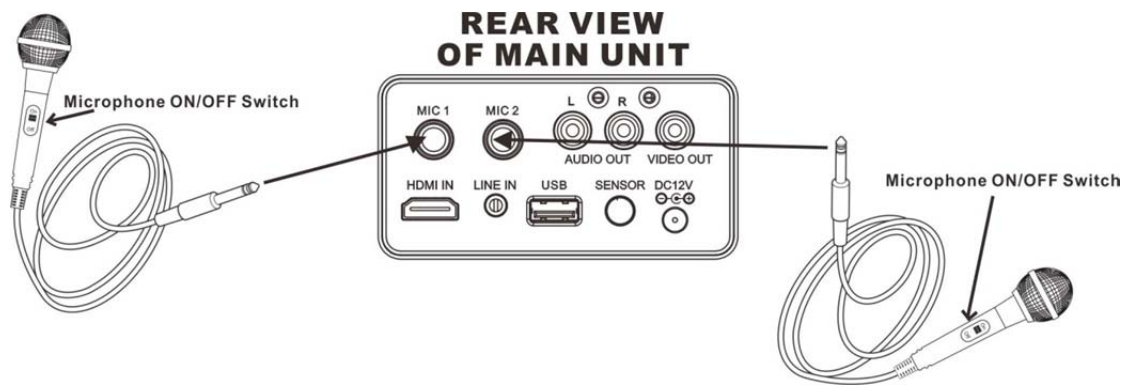
Adjust the **ECHO** dial of unit to enhance your voice for a concert hall effect.

BALANCE



INSTALL AND USING MICROPHONE

Requires a microphone (included) .

1. Plug the microphone (see below figure) into the **MIC 1 INPUT** or **MIC 2 INPUT**.
2. Slide the **ON /OFF** switch of MICROPHONE,
3. Use the **MIC VOLUME** dial of unit to adjust the volume of audio sound from the microphone.
4. Pull out the mic holder for microphone fixing on your unit (see below figure).
5. Push in the mic holder if not use it.



SPECIFICATION

AC Power Adapter Connect DC Jack	Use included adapter AC Input : 120-240V , 50 / 60 Hz , DC Output : 9V , 1500 mA
DC Input	DC 12V , 2500 mA
USB	Support 32GB USB memory stick 1.0 / 2.0 ver
CD Player	Support CDs and CDG disc 1.75 / 3.25 inch <div style="display: flex; justify-content: space-around; align-items: center;">   </div>
Bluetooth	Support music share from mobile
Master Power Output	2W x 2 RMS
Loud Speakers Spec	3 Inch, 3 Watt , 8 Ohm x 2 pcs

Specifications are typical, individual units might vary. They are subject to continuous improvement without notice and without incurring any obligation.