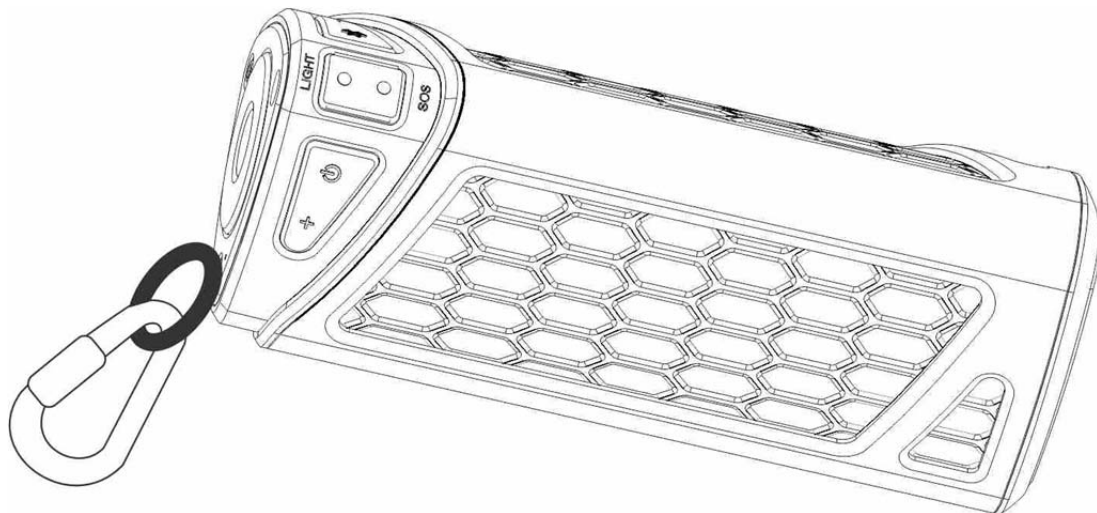




## Portable Outdoor Bluetooth Speaker with Flashlight



**USER MANUAL**

**SFA900**



**PLEASE READ THIS USER MANUAL COMPLETELY BEFORE OPERATING  
THIS UNIT AND RETAIN THIS BOOKLET FOR FUTURE REFERENCE.**

## COMPLIANCE WITH FCC REGULATIONS

This device complies with Part 15 of the FCC Rules. Operation is subject to the following two conditions:

- 1) this device may not cause harmful interference, and
- 2) this device must accept any interference received, including interference that may cause undesired operation.

**NOTE :** This equipment has been tested and found to comply with the limits for a Class B digital device, pursuant to Part 15 of the FCC Rules. These limits are designed to provide reasonable protection against harmful interference in a residential installation. This equipment generates, uses and can radiate radio frequency energy and, if not installed and used in accordance with the instructions, may cause harmful interference to radio communications. However, there is no guarantee that interference will not occur in a particular installation. If this equipment does cause harmful interference to radio or television reception, which can be determined by turning the equipment off and on, the user is encouraged to try to correct the interference by one or more of the following measures:

- Reorient or relocate the receiving antenna.
- Increase the separation between the equipment and receiver.
- Connect the equipment into an outlet on a circuit different from that to which the receiver is connected.
- Consult the dealer or an experienced radio/TV technician for help.

**CAUTION: Changes or modifications not expressly approved by the party responsible for compliance could void the user's authority to operate the equipment.**

### **IMPORTANT NOTE:**

FCC Radiation Exposure Statement:

This equipment complies with FCC radiation exposure limits set forth for an uncontrolled environment.

## PRODUCT FEATURES

The SFA900 is a Bluetooth portable stereo speaker with the following features:

- Wireless playback of music from your Bluetooth enabled device via the Bluetooth connection.
- With NFC (Near Field Communication) function.
- Hands-free Bluetooth Speakerphone.
- Up to 33 feet (10 meters) operating range.
- Auxiliary input jack to play music from your iPod or digital audio player.
- Digital volume control.

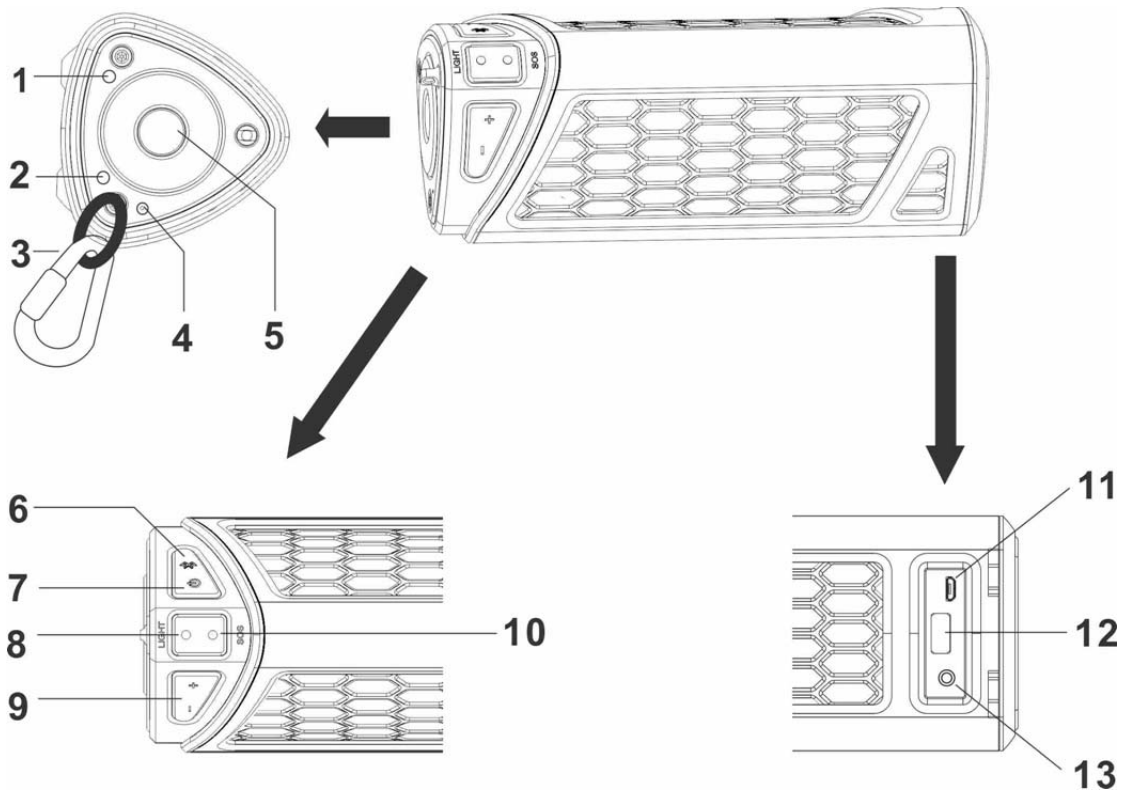
## GETTING STARTED

### ACCESSORIES INCLUDED

Carefully remove the unit and all the accessories from the gift box. Please verify that you have all the following accessories before recycling the gift box.

- User manual
- USB cable

## LOCATION OF CONTROLS



1. PAIRING INDICATOR
2. POWER INDICATOR
3. CARIBINER CLIP
4. MICROPHONE
5. TORCH
6. PAIRING / PHONE
7. POWER BUTTON
8. LIGHT BUTTON
9. VOL – BUTTON or VOL + BUTTON (VOLUME DOWN)
10. SOS BUTTON
11. CHARGING JACK (MICRO USB)
12. USB JACK (DC OUT 5V,1A)
13. AUX IN (LINE IN) BUTTON

## CHARGING INSTRUCTIONS

The SFA900 operates on a built-in Li-ion battery that can be recharged using either the USB port on your computer or from a USB power adaptor (not included) with a rated output of DC 5V/500-1000mA

**Note:** The micro USB CHARGING JACK located on this unit is only designed for charging the built-in Li-ion battery.

### CHARGING THE BATTERY FOR FIRST TIME

- 1) Charge the built-in Li-ion battery a minimum of 12 hours prior to first use. Plug the unit into the USB port on your computer or into a USB power adaptor (not included) using the included USB cable.
- 2) The POWER INDICATOR (#2) will turn "ON" RED color while charging and turn "ON" GREEN color when the unit is fully charged. Unplug the USB cable from the power source once the battery is fully charged.

### RECHARGING THE INTERNAL BATTERY

After prolonged use, the internal battery will become weak and the operation may become intermittent. When the internal battery charge is low, the POWER INDICATOR (#2) will turn "ON" RED color and FLASH" alerting you to recharge the internal battery as soon as possible.

Plug the SFA900 into a USB port on your computer or into a USB power adaptor, DC 5V/500mA and up, (not included) using the included USB cable. Disconnect the USB cable from the speaker as soon as it is fully charged.

- Note:**
1. Charging time will vary if you are listening to music while charging the internal battery at the same time. We recommend you switch off the SFA900 power during the charging process.
  2. To prolong the life of a rechargeable battery, it is recommended to completely discharge it before fully charging it again.
  3. Rechargeable batteries need to be cycled for maximum performance and longer battery life. If you don't use the player that often, be sure to recharge the battery at least once a month in order to keep the internal battery working properly.

### Battery Note and Care

- Do not burn or bury batteries.
- Do not puncture or crush.
- Do not disassemble.
- Do not dispose of batteries in fire, batteries may explode or leak
- Li-ion batteries must be recycled. Do not dispose of in the trash.
- Use only chargers rated for Li-ion cells. Be sure the charger's voltage and current settings are correct for the battery pack being charged.
- Charge batteries on a fireproof surface and away from flammable items or liquids.
- Batteries should NEVER be left unattended while charging. Only adults should charge the batteries.
- Follow the manufacturer's instructions for charging the product and do not charge longer than recommended. Unplug the charger when the battery is charged or not in use.

**NOTE:** The speaker is not magnetically shielded and may cause color distortion on the screen of some TVs or video monitors. To avoid this, you may need to move the unit further away from the TV or monitor if an unnatural color shifts or image distortion occurs.

## PAIRING WITH YOUR BLUETOOTH DEVICE

### ABOUT PAIRING

Pairing is the term used when two Bluetooth devices are connected wirelessly for the first time. This allows the devices to see each other and sets up a one to one communication channel between both devices.

To begin pairing with a Bluetooth device

1. Press and hold the POWER BUTTON (#7) to ON to turn on the unit. The BLUETOOTH INDICATOR (#1) will light blue and flash and the melody "TRI-TONE" is heard. The unit is now ready to pair (link) with your Bluetooth device.  
**Notes:** Make sure an audio cable is not connected to LINE IN JACK (#8)]
2. Turn on Bluetooth function of your device and enable the search or scan function to find SFA900. (see your device's instructions to add or setup a Bluetooth device).
3. Select "SFA900" from the device list when it appears on your device screen. If required, enter the pass code "0000" to pair (link) SFA900 with your device.
4. If you are pairing (linking) your computer to the speaker using Bluetooth, you may need to set the SFA900 as your computer's default sound device.
5. Once paired with a device, the BLUETOOTH INDICATOR (#1) will light steadily and you will hear the sound "DOM" to confirm that pairing is completed.
6. If you want SFA900 change to pair with another Bluetooth Enable Device. Press and hold the PAIRING button (#6) for about 4~5 seconds. The BLUETOOTH INDICATOR (#1) will flash, the melody "CALYPSO" will be heard to confirm the unit will go into Pairing/Discoverable mode again. Repeat steps 2 and 3.

### To connect a previously paired Bluetooth device

The SFA900 can store one previously paired device for quick pairing during the power on cycle. When the unit is powered on and the previously paired device is found within the operating range, the unit will pair and connect with the device automatically.

#### NOTE:

- Due to different operating systems found in Bluetooth devices, the time to complete the pairing process might be different from unit to unit. If the pairing is not successful the first time, please try restarting the pairing process again by pressing and holding the /PAIRING button (#3) until the BLUETOOTH INDICATOR (#1) flashes.
- The pairing time might be longer the first time pairing or when pairing a new Bluetooth device.
- Make sure you have the latest firmware for your Bluetooth mobile devices.
- Make sure your device is working properly. Check your device's manual for details on Bluetooth pairing and linking.
- Refer to manual of your cell phones, tablet PC, computer or other Bluetooth enabled device for Bluetooth operation since it may vary from model to model.

## PLAYING FROM A BLUETOOTH DEVICE

You can play music from your Bluetooth device wirelessly to SFA900 after successfully pairing.

1. Selecting your favorite song, press the PLAY button on your Bluetooth device or the PAIRING button (#6) on SFA900 to play or pause the Bluetooth device playback.
2. Slowly adjust both the VOL +/- buttons (#9) of your SFA900 and your Bluetooth device until you reach a comfortable listening level.

### Notes:

1. Your Bluetooth enabled device will not play the music through the speaker, even if connected (linked), if the device does not support the A2DP Bluetooth profile.
2. Remember to turn off the SFA900 when you have finished listening, press and hold the POWER button (#7) to the off unit power.
3. Don't forget to switch off the power of your external audio device as well

## USING SFA900 AS A HEAD-FRESS SPEAKERPHONE

To use your Bluetooth speaker as a speakerphone for receiving a phone call from a Bluetooth enabled phone.

1. Follow the "PAIRING WITH YOUR BLUETOOTH DEVICE" section to set up the Bluetooth connection with your smartphone.
2. When a call is received while music is playing, the music will be replaced by a ringtone. Press the PHONE button (#6) once to answer the call.
3. Use the VOL +/- buttons (#9) to adjust the desired volume level.
4. To ignore an incoming call, simply press and hold the PHONE button (#6) for about 3 to 4 seconds, a beep sound will be heard and the call was ignored.
5. When the call is completed, press the PHONE button (#6) once to end the call. If you were playing music from the SFA900 before answering the call, the music will automatically resume playing when you hang up.
6. Tap the PHONE button (#6) twice to re-dial the last number you dialed.

## CONNECTING WITH A SMARTPHONE BY ONE TOUCH (NFC)

### ABOUT NFC

**NFC** (Near Field Communication) is a technology enabling short-range wireless communication between various devices, such as mobile phones and IC tags. Thanks to the NFC function, data communication can be achieved easily just by touching the relevant symbol or designated location on NFC compatible devices.

Make sure your Smartphone and the NFC function is turned on.

Hold the back of your smartphone against the “CONNECT” area on the SFA900 until hear a confirmation tone is heard to confirm the pairing is completed.

Some smartphones may ask you to confirm the pairing if they were not paired before.

**NOTE:** If you have multiple NFC compatible devices, just touch the smartphone to a different device to switch the connection to that device. For example, when your smartphone is connected with NFC compatible headphones, just touch the smartphone to the system to change the Bluetooth connection to the system (one touch connection switching).

## AUX IN / LINE IN OPERATION

You can play other music sources (iPod, MP3 or other digital audio players) through the speakers of this unit by connecting the LINE IN JACK (#13) to your external player's audio out jack or headphone jack.

Plug one end of an audio cable (not included) into the LINE IN JACK (#13) and the other end of the cable to the headphone jack of your digital audio player.

Press and hold the POWER button (#7) to turn on the unit. The BLUETOOTH INDICATOR (#1) will light Green steadily.

Start playing the device you plugged into the LINE IN JACK (#13).

Slowly adjust both the volume controls of your SFA900 and the external device until you reach a comfortable listening level.

Turn off your iPod, MP3 player etc. when finish listening.

Press and hold the POWER button (#7) to turn SFA900 off and unplug the AUX IN Jack.

### NOTE:

- Play/Pause control only works in Bluetooth mode and not in Line In mode.
- If you are connected to the Line Out Jack of your external device then you only need to adjust the volume control on the SFA900. If you're connected to the Headphone Jack of your external device, then you may need to adjust both the volume control of your external device and the SFA900 to obtain the most desirable volume setting.
- If you use Line In function when playing Bluetooth audio, Bluetooth audio will be temporarily disconnected when the audio cable is plugged in. Unplugging the audio cable will resume Bluetooth audio. We suggest you turn off the Bluetooth function of your Smartphone to save battery power when playing music via Line In mode.

## TROUBLESHOOTING GUIDE

Symptom	Possible Problem	Solution
No Charging	The USB power adaptor (not included) is not plugged into a wall outlet or the USB cable (included) is not plugged into the mini USB jack on the SFA900	Plug the USB power adaptor (not included) into a wall outlet and plug the USB cable (included) into the mini USB jack on the SFA900
	Wall outlet is not functioning.	Plug another device into the same outlet to confirm the outlet is working.
	Computer USB port is not functioning.	Make sure your computer power is turned on and try another USB port.
No Sound	The SFA900 battery is exhausted.	Recharge the SFA900 battery.
	The SFA900 is not linked with the Bluetooth enabled device.	Go through "Pairing with your Bluetooth device" process to link the speaker.
	The SFA900 placement out of range.	Relocate the SFA900 within Bluetooth operating range (30 feet).
	Volume set too low.	Press the Volume + button to increase the sound level.
Sound is distorted.	Volume level is set too high.	Decrease the volume of the speaker.
	Sound source is distorted.	If the source sound file is of poor quality, distortion and noise are easily noticed with high-power speakers. Try a different audio source such as a music CD.  If you are using an external sound source like older generation of iPod, try reducing the output volume on the device itself. Also try turning bass boost OFF or change the EQ setting.
Unit gets warm after extended play at high volume.	This is normal.	Turn the speaker off for a period of time or lower the volume.

## SPECIFICATION

### Power requirement:

DC input	DC 5V 500-1000mA (micro USB)
Battery	built-in rechargeable Lithium-ion battery
Bluetooth	Bluetooth Specification version 3.0 Support profile A2DP / HFP

Audio power output    3W (rms)

Dimensions                80mm (H) x 200mm(W) x 82.5mm(D)  
Weight                      645g