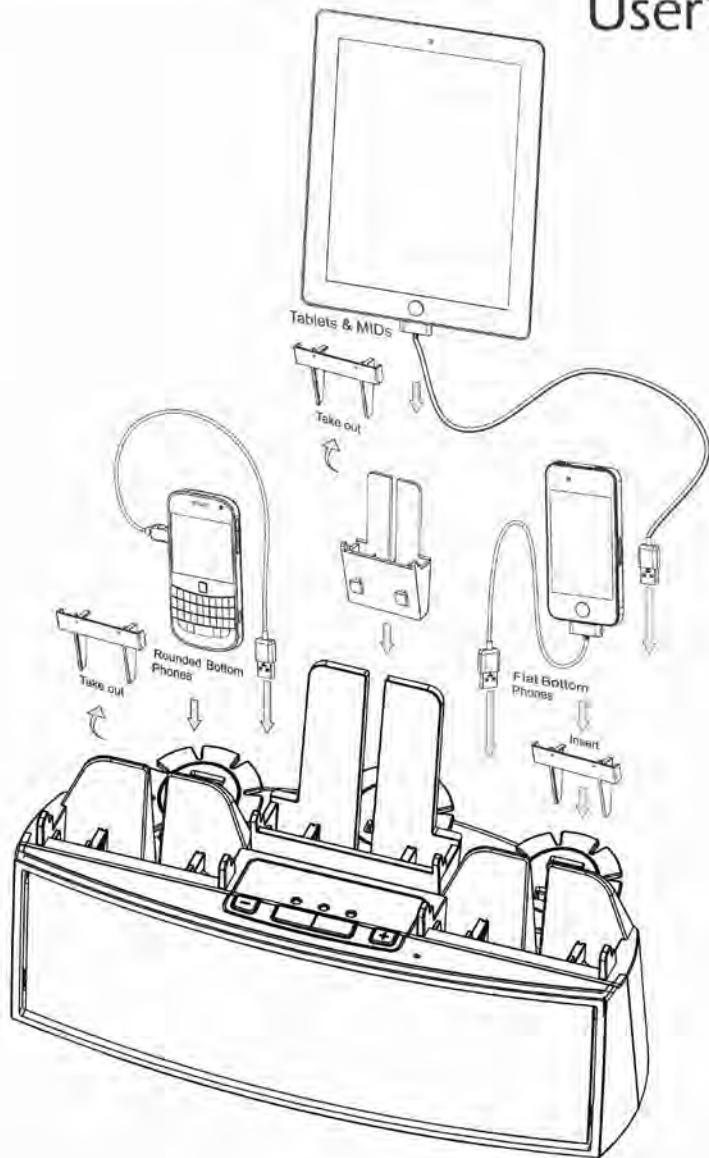


MULTI-CHARGING STATION

User's Guide

MODEL:

CR25



- ▶ Bluetooth for Music Share
- ▶ Charge and Hold 3 Devices in Cradles at the same time
- ▶ Aux-In for External Device
- ▶ Cable Organize

Warnings and Precautions

WARNING: To reduce the risk of fire or electric shock, do not expose this apparatus to rain or moisture.

CAUTION: Use of controls or adjustments or performance of procedures other than those specified may result in hazardous radiation exposure.

***Caution Marking and rating plate was located at bottom enclosure of the apparatus**



This symbol is intended to alert you to the presence of uninsulated dangerous voltage within the product's enclosure that might be of sufficient magnitude to constitute a risk of electric shock. Do not open the product's case.



This symbol is intended to inform you that important operating and maintenance instructions are included in the literature accompanying this product.

Main plug is used as disconnect device and it should remain readily operable during intended use. In order to disconnect the apparatus from the mains completely, the mains plug should be disconnected from the mains socket outlet completely. (for apparatus with power cordset as disconnect devices)

Battery shall not be exposed to excessive heat such as sunshine, fire or the like. (for once batteries could be used to operate apparatus and/or with battery operated remote control)

Location of label on the apparatus if that label was affixed under a lid or on the bottom of the apparatus with a mass not exceeding 7kg.

MOISTURE AND CONDENSATION

If unit is exposed to moisture and extreme cold temperatures, then moved to a warm environment, condensation may form on internal components. Under these circumstances, powering the unit on may cause damage to the unit or cause harm to the user. Allow the unit to stand in a warm environment for 1 to 3 hours and allow the unit to air dry safely.

WHEN IN USE

Do not use this unit in extremely hot, cold, dusty, or humid conditions. Do not restrict the air flow of the unit by placing it on carpet or covering.

FCC Information

This device complies with part 15 of FCC Rules.

Operation is subject to the following two conditions:

- (1). This device may not cause harmful interference.
- (2). This device must accept any interference received, including interference that may cause undesirable operation.



SAFETY

When connecting or disconnecting the AC cord, grip the plug and not the cord itself. Pulling the cord may damage it and create a hazard. When you are not going to use the unit for a long period of time, disconnect the AC cord.

Warnings and Precautions

1. Read these instructions. All safety and operating instructions should be read before the product is operated.

2. Keep these instructions. The safety and operating instructions should be retained for future reference.

3. Heed all warnings. All warnings on the product and in the operating instructions should be adhered to.

4. Follow all instructions. All operating and use instructions should be followed.

5. Water and Moisture. Do not use this product near water. For example, near a bath tub, wash bowl, kitchen sink or laundry tub in a wet basement, or near a swimming pool or similar conditions. The apparatus shall not be exposed to dripping or splashing and that no objects filled with liquids, such as vases, shall be placed on or near this product.

6. Cleaning. Clean only with a dry cloth. Unplug this product from the wall outlet before cleaning. Do not use liquid cleaners or aerosol cleaners.

7. Ventilation. Slots and openings in the cabinet are provided for ventilation and to ensure reliable operation of the product and to protect it from overheating. These openings must not be blocked or covered. The openings should never be blocked by placing the product on a bed, sofa, rug, or other similar surface. This product should not be placed in a built-in installation such as a bookcase or rack unless proper ventilation is provided.

8. Heat. Do not install near any heat sources such as radiators, heat registers, stoves, or other devices that produce heat, including amplifiers.

9. Grounding or Polarization. (If applicable) Do not disable or circumvent the polarized or grounding type plug. A polarized plug has two blades with one wider than the other. A grounding type plug has two blades and a third grounding prong. The wide blade or the third prong is provided for your safety. If the provided plug does not fit into your outlet, consult an electrician for replacement of this outlet.

10. Power Cord Protection. Protect the power cord from being walked on, pinched, cut or damaged in any way. If any damage occurs, consult with a trained technician for repairs.

11. Accessories. Only use accessories specified and approved by the manufacturer. Do not place this product on an unstable cart, stand, tripod, bracket, or table not previously approved by the manufacturer. The product may fall causing serious injury to a child, adult or to the product itself. Any mounting of the product should be done within the manufacturer's guidelines.

12. Transporting. If a preapproved device is used to transport this product caution and care must be observed and practiced to avoid damages. Make sure the device and product together are stable before moving.



S3125A

PORTABLE
CART
WARNING

13. Lightning. Unplug this product and disconnect the antenna or cable system during lightning storms or when unused for long periods of time. This will help prevent damage to the product due to lightning and power line surges.

14. Servicing. Do not attempt to service this product yourself. Opening or removing covers may expose you to dangerous voltage or other hazards. Refer all servicing to a qualified service technician.

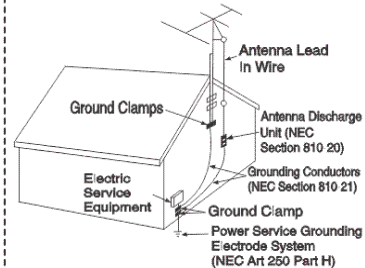
15. Power Sources. Only connect to the type of household power supply as indicated in the operating instructions and rating label. If you are not sure of the type of power supplied to your home, consult with local power company. For products intended to operate from battery power, or other sources, refer to the manufacturer's operating instructions.

16. Overloading. Do not overload wall outlets or extension cords. This can result in a risk of fire or electric shock.

17. Foreign Material. Protect this product from intrusion of any foreign substances like dirt, water, moisture and insects. Do not force any foreign materials or chemicals into this product. This could result in a risk of fire or electric shock.

18. Replacement Parts and Safety Check. When replacement parts are required, be sure the service technician has used replacement parts specified and approved by the manufacturer. Ask the service technician to perform safety checks to ensure proper operation to avoid possible fire, electric shock, or other hazards.

19. Outdoor Antenna Grounding. If an outside antenna or cable system is connected to the product, be sure the antenna or cable system is grounded so as to provide some protection against voltage surges and built-up static charges. If there's any doubt to the proper grounding of these systems, contact a qualified electrician to inspect your location.



20. Wall or Ceiling Mounting. The product should be mounted to a wall or ceiling only as recommended by the manufacturer.

21. Disconnect Device. Make sure all disconnect devices are in proper working condition and readily available in the event of an emergency or if power off is needed quickly.

22. Protective Attachment Plug. (If applicable) This product may be equipped with an attachment plug having overload protection. This is a safety feature. See Instruction Manual for replacement or resetting of this protective device. If replacement of the plug is required, be sure the qualified service technician has used a replacement plug specified by the manufacturer that has the same overload protection as the original plug.

23. Power Lines. An outside antenna system should not be located in the vicinity of overhead power lines or other electric light or power circuits, or where it can fall into such power lines or circuits. When installing an outside antenna system, extreme care should be taken to keep from touching such power lines or circuits as contact with them may be fatal. Always consult with your local power company before installing an outside antenna.

Warnings and Precautions

Warning: Changes or modifications to this unit not expressly approved by the party responsible for compliance could void the user's authority to operate the equipment.

NOTE: This equipment has been tested and found to comply with the limits for a Class B digital device, pursuant to Part 15 of the FCC Rules. These limits are designed to provide reasonable protection against harmful interference in a residential installation. This equipment generates, uses and can radiate radio frequency energy and, if not installed and used in accordance with the instructions, may cause harmful interference to radio communications.


However, there is no guarantee that interference will not occur in a particular installation. If this equipment does cause harmful interference to radio or television reception, which can be determined by turning the equipment off and on, the user is encouraged to try to correct the interference by one or more of the following measures:

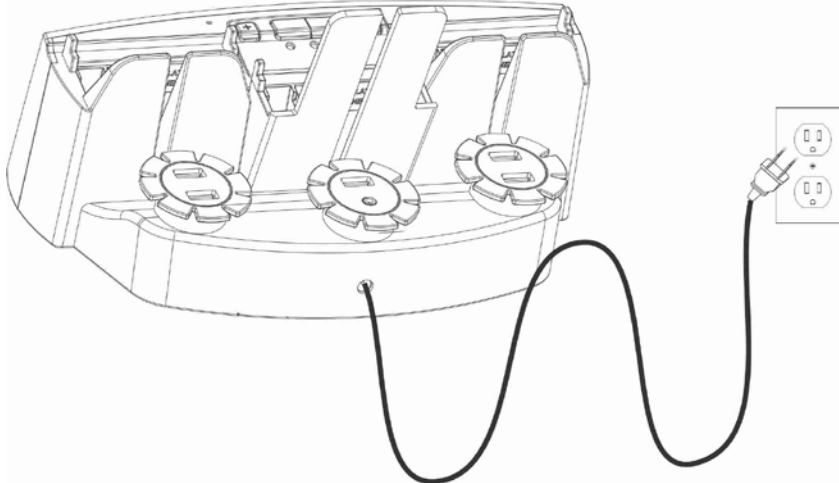
- Reorient or relocate the receiving antenna.
- Increase the separation between the equipment and receiver.
- Connect the equipment into an outlet on a circuit different from that to which the receiver is connected.
- Consult the dealer or an experienced radio/TV technician for help.

This device complies with Part 15 of the FCC Rules. Operation is subject to the following two conditions: (1) this device may not cause harmful interference, and (2) this device must accept any interference received, including interference that may cause undesired operation.

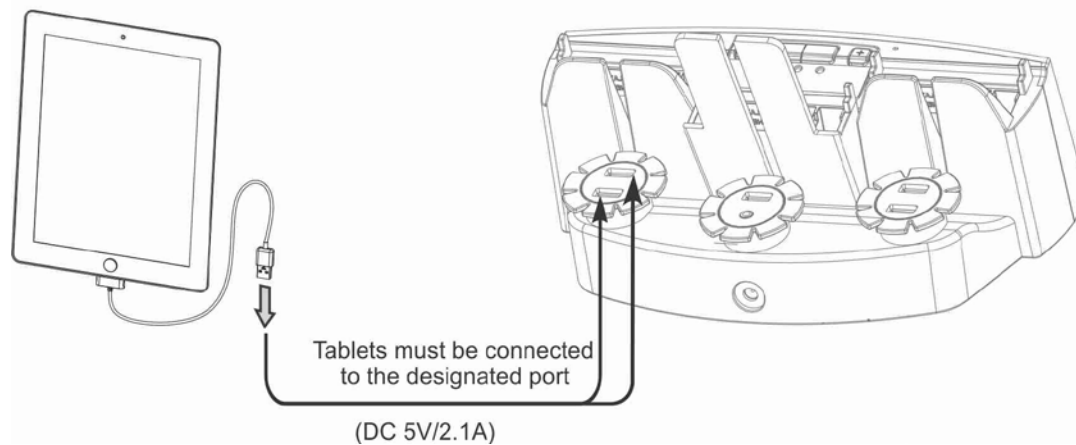
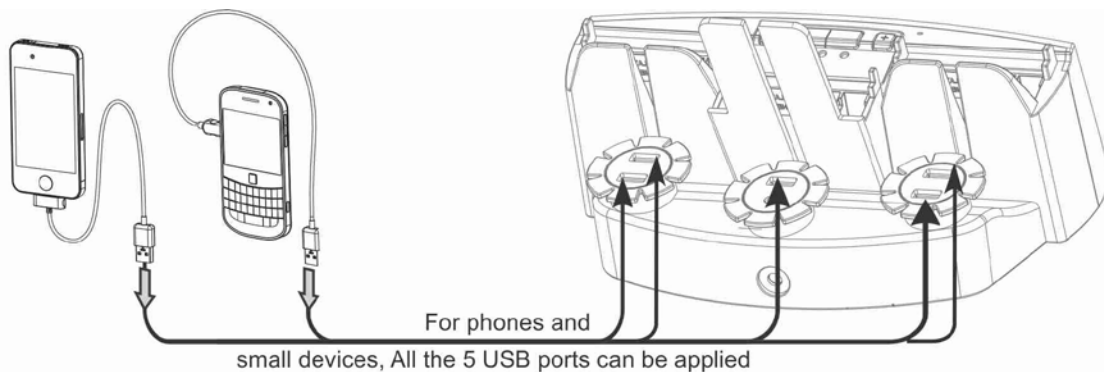
Quick Start On Charging Your Device

Connecting unit to power outlet

Plug the included AC power cord into an AC power outlet to power the unit. Press the  button to power on / off.



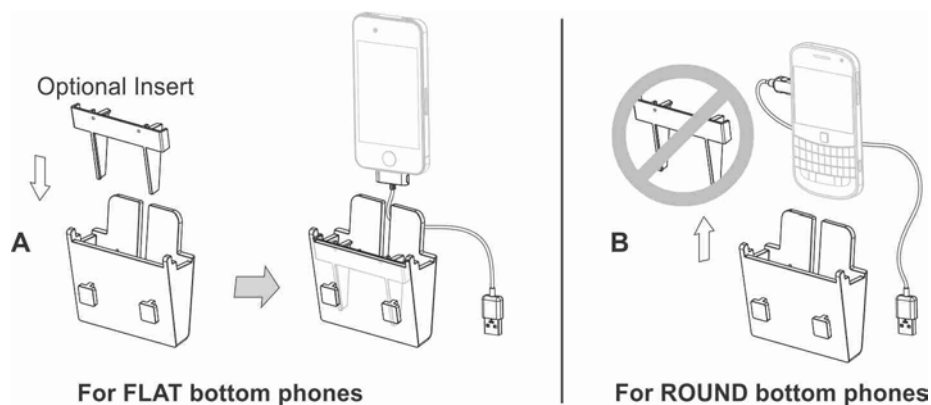
Connect your device to proper USB charging port



Quick Start Fixing Your Device

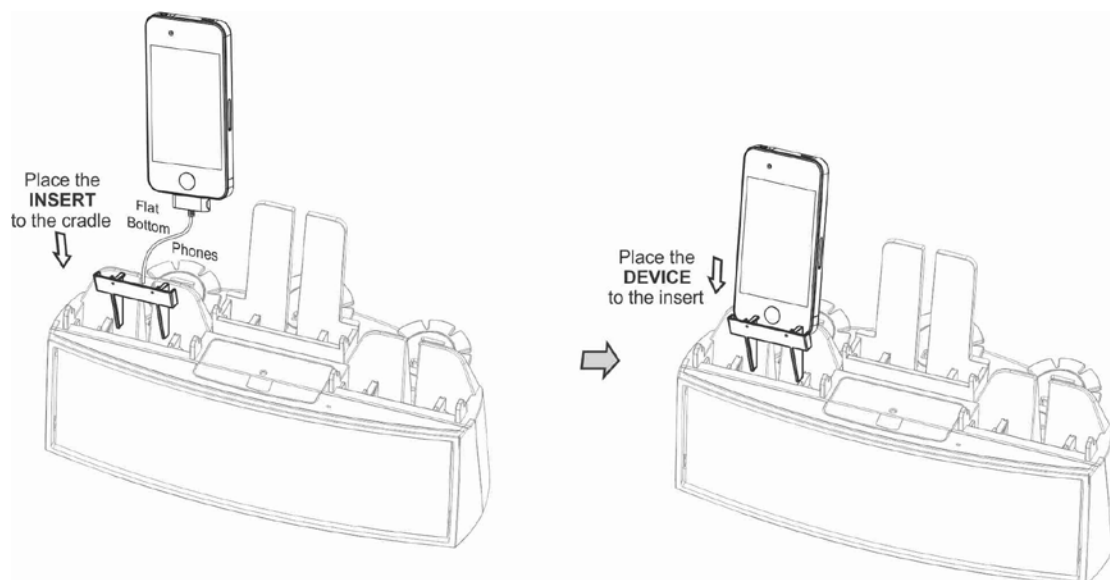
Using the option insert / cradle

Your phone's shape will determine if an insert is needed. Take the insert and place it to the cradle when use flat bottom phones. Round bottom phones do not need the insert.



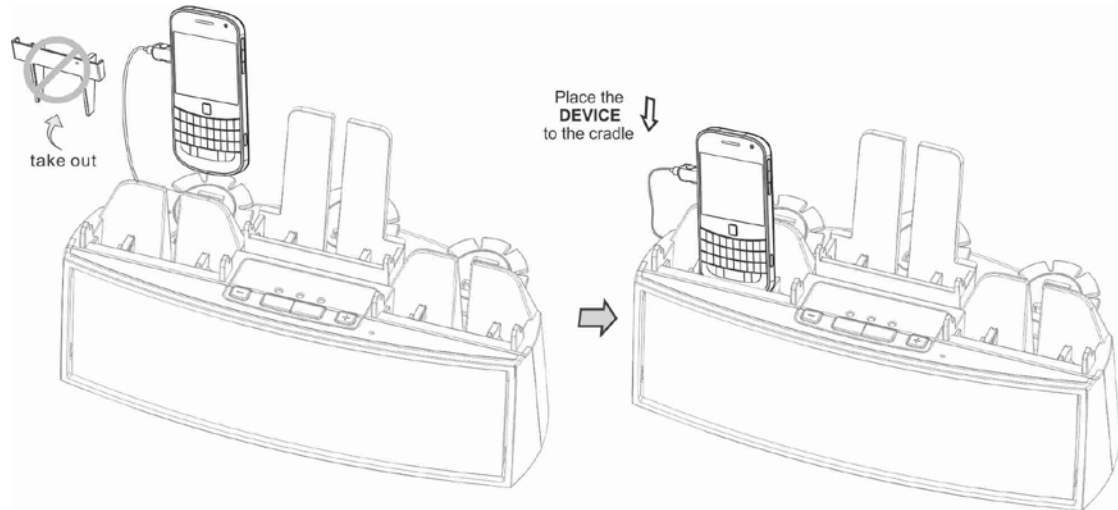
Wrap excess cable around cable organizer leaving enough cable to allow phone to be inserted into cradle.

For FLAT bottom phones

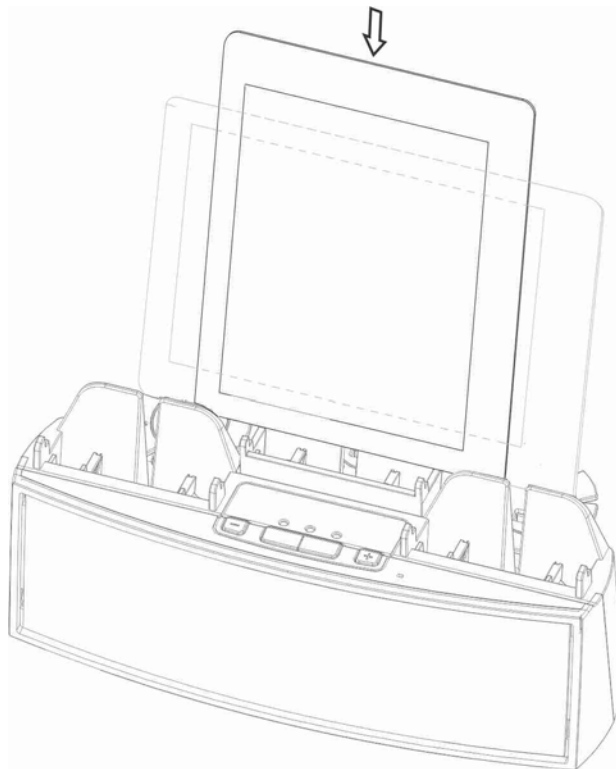


Quick Start Fixing Your Device

For ROUND bottom phones, take out the insert.

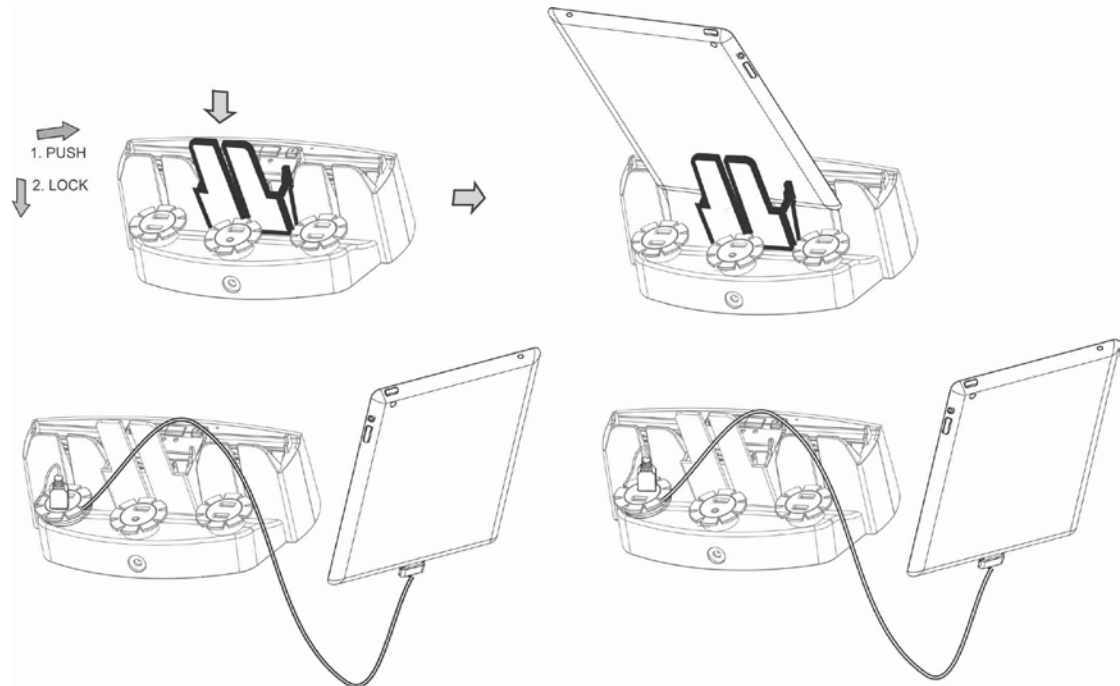


For TABLETS & MIDs
Put on the TABLETS & MIDs to the fixed Cradle
(two ways of placing: vertical or horizontal):

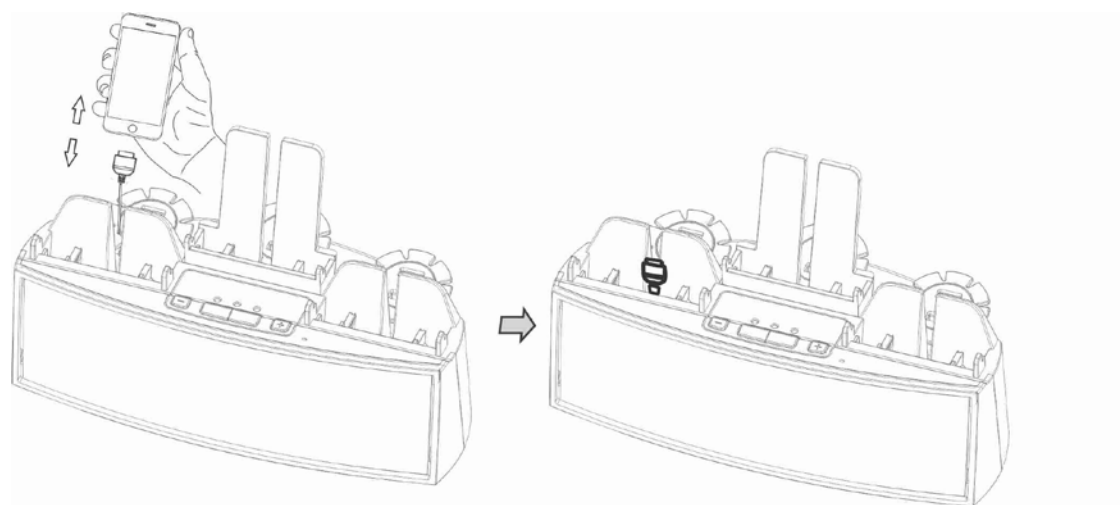


Quick Start Fixing Your Device

Put on the TABLETS & MIDs to the removable Cradle:

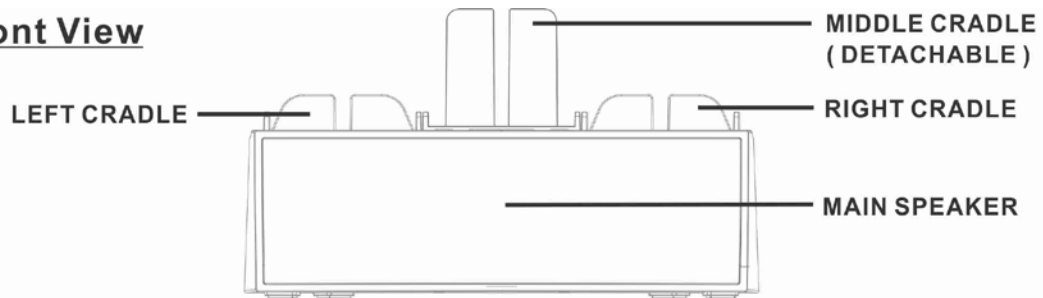


Disconnect and leave the USB cord for easy re-connection

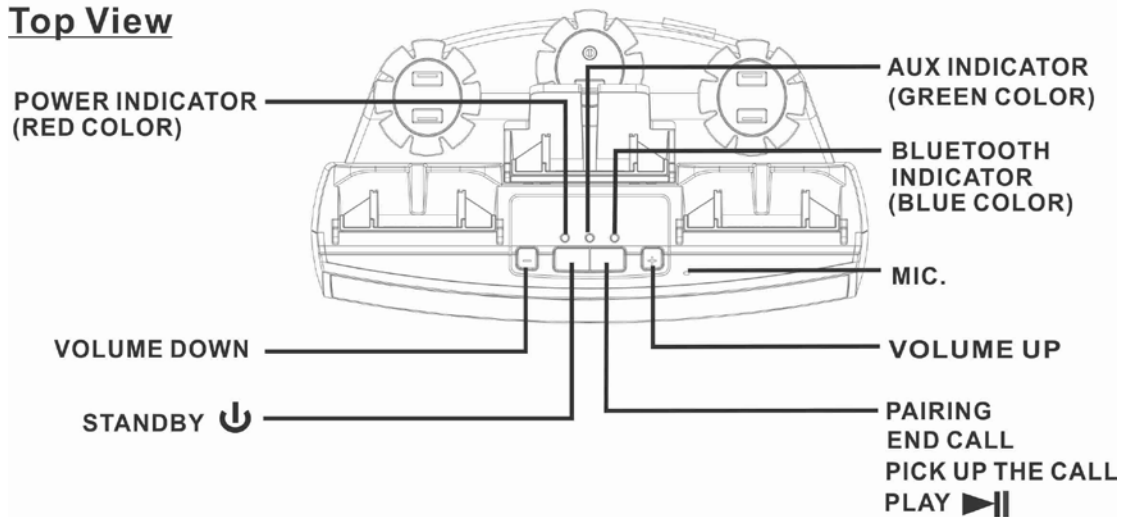


Location of Function

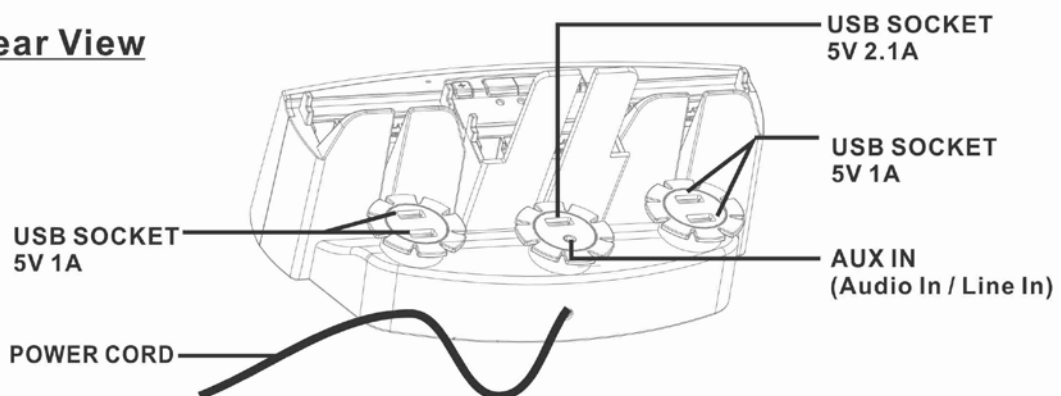
Front View



Top View



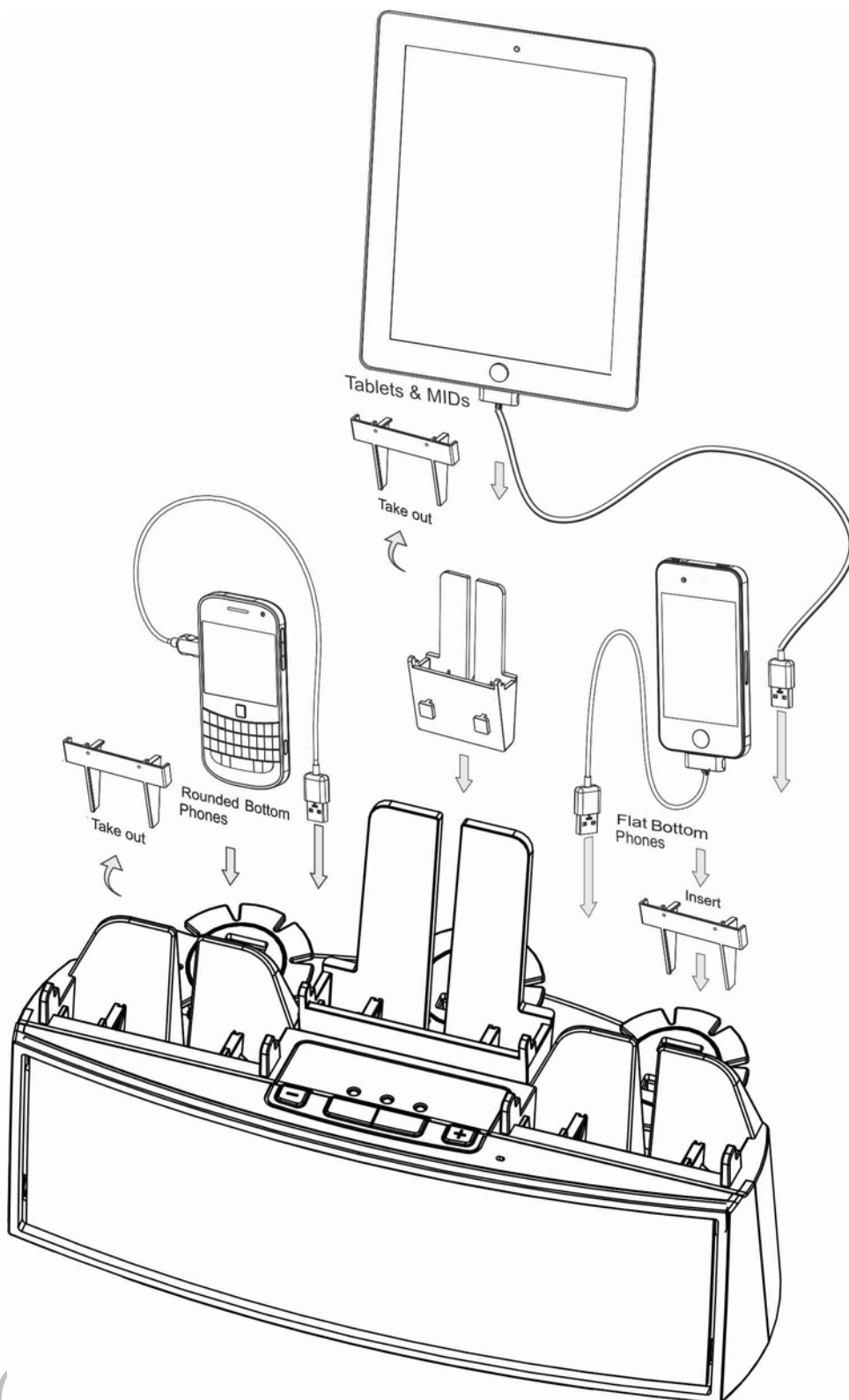
Rear View



Operations

Charging your iPhone/ iPad or other personal devices:

- This unit provides USB ports charge function and up to 3 devices;
- This unit provides 3 cradles for your personal devices while charging;



Operations

1. Each cradle has an insert with it, for holds the flat bottom phones.

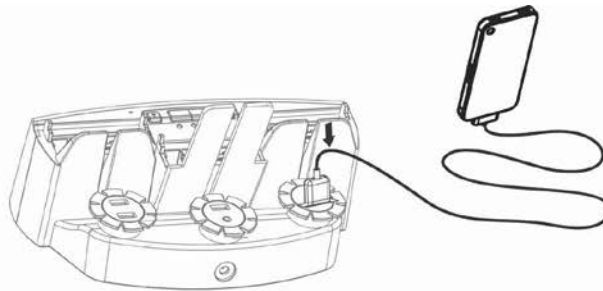
Without the insert, it holds the rounded bottom phones.

This design is to make sure the cradle holds your phones perfectly.

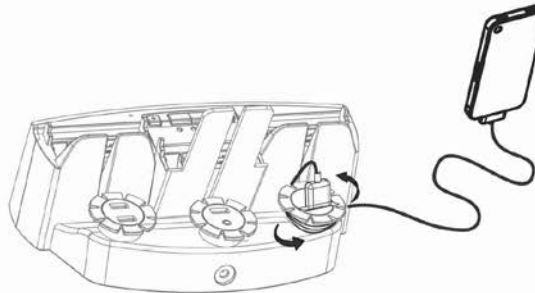
The center of the USB port provides maximum 5V voltage and 2.1A current. If your devices require more than this, will lead to NO charge.

2. Wrap your charging cord to the cable organizer in order not too messy at the back:

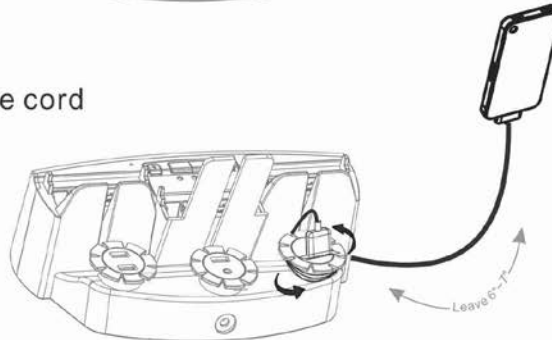
a. Push the cord into a slot



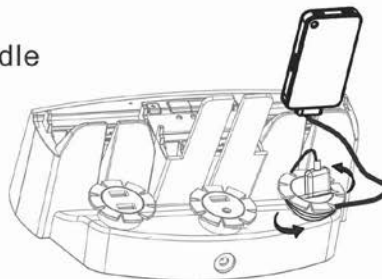
b. Wrap your cord



c. Leave a certain length of the cord



d. Put on your device to you cradle

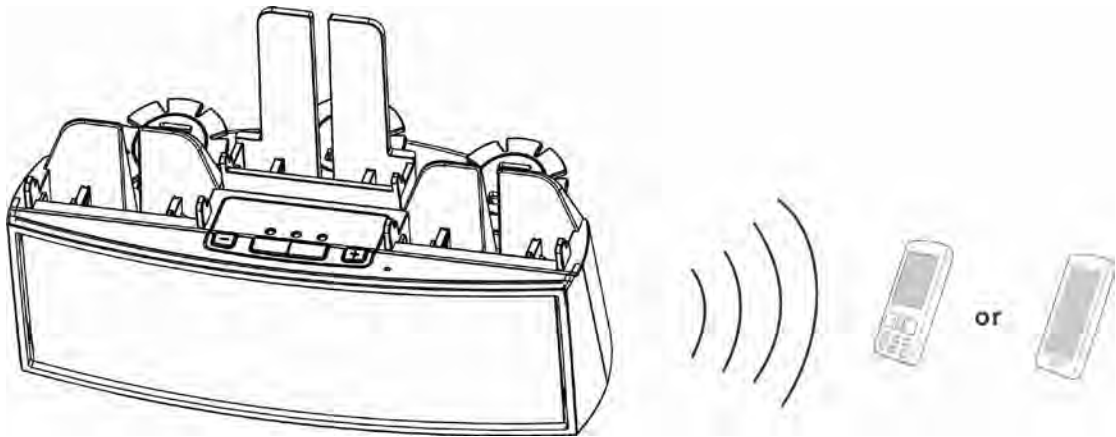


Operations

Using Bluetooth

Pairing with Your Mobile Phone

Your unit connected to mobile phones using a procedure by following a few simple steps, a mobile phone can be paired with the **CR33** in a matter of seconds.



Setup Your DAB+ Bluetooth Speaker on BLUETOOTH mode

1. Power on unit by press the **⏻** button
2. The **BLUETOOTH** indicator flash.
3. Finish this simply setting and go to next step below.

Set your phone to 'discover' the your unit

1. First make sure that Bluetooth is activated on your mobile phone.
2. Then set your phone to discover your unit.
3. This usually involves going to a 'setup,' 'connect' or 'Bluetooth' menu on your phone and selecting the option to 'discover' or 'add' a Bluetooth device.

Using your phone to connect the unit.-

1. Your phone will find the unit under name "**CR33**".
2. Your phone then asks if you want to pair with the unit.
3. Accept by pressing 'yes' or 'ok' on the phone.
4. Your phone will confirm when pairing is complete.
5. When successful pairing, the **BLUETOOTH** indicator will light.

Warning! In case of unsuccessful pairing, the **BLUETOOTH** indicator would flash continue. You must follow the previous step "**Using Bluetooth**" to setting again or hold the **STANDBY** button to again.

Operations


Playing Audio Via Bluetooth

1. When successful pairing, Press the ►|| button to play or pause audio files from your Bluetooth device.
2. If press the ►|| button cannot play and no music listening. You must go to your mobile phone “**Music Centre or Media Player**” to manual search music. Press the **PLAY** icon of your phone to start playing.
3. Use the **VOLUME** buttons to adjust volume.


After all setting, the music of mobile phone will sound through your unit.

Warning! Music will automatically be paused when you have an incoming call. When call is ended it will start playing again.

Make a Call Via Bluetooth



After Bluetooth connect both your phone & unit that you make a call from your mobile phone and the call will automatically transfer to your unit moment, you can speak to **MIC** area of unit. Does allow this feature, press the  button to answer the call to the unit.

Answer a Call / End a call Via Bluetooth

After Bluetooth connect both your phone & unit. You can answer a call or end call work with unit by press the  button.

Using the AUX In (Line-in / audio In) Jack

You can play your portable audio device with a standard 3.5mm headphone jack through the unit via the AUX In Jack

1. Plug one end of a standard audio patch cord into the headphone or line-out jack on your device and the other end of the patch cord into the unit's AUX-in Jack located on the back of the unit.
2. Press the  button to turn on unit.
3. Turn on and play your personal device;
4. Press and release the **VOLUME +** or **-** to adjust the system volume. You may need to adjust the volume on your external device as well.
5. To turn off the music, press  **STANDBY** button.

