

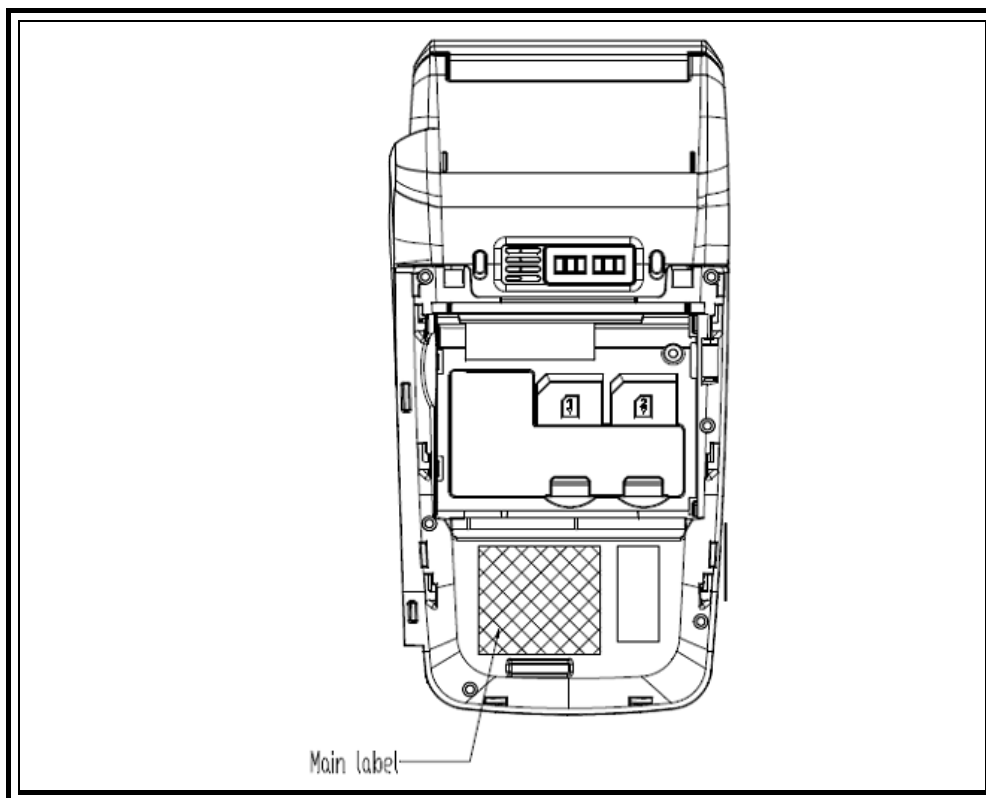
**FCC ID SAMPLE LABEL & LOCATION**



**LABELLING REQUIREMENTS**

**PER \$2.925**

The Label shown shall be permanently affixed at a conspicuous location on the device and be readily visible to the user at the time of purchase



**The label is attached to this device by an adhesive. The adhesive is permanent type with strong strength. Additionally, the label is readily to the purchaser at the time of purchase.**