



[www.bluebirdsoft.com](http://www.bluebirdsoft.com)

## Touch Mobile Payment Terminal

# MT3XX



### User's Manual

- Please read the following warnings before using the product.
- Shapes and colors of the images shown in this manual may differ from the actual products.
- Contents of the manuals may differ based on the software version of products or conditions of the wireless provider.

- This user manual is protected by copyright.
- This user manual has been created by the Bluebird Soft. We have done our best not to create typos, editing errors, and leaving out any information. Please understand if there are any inconveniences.
- This product's program is legally protected. Illegal copying, transmitting, or erasing of the program is prohibited.
- This product's partial functions might have problems from the environment, user program, and other machines.
- The radio equipment can't be used for life saving services because there is possibility to have radio interference and failure.

## REGISTERED TRADEMARK



Pidion is an emerging global brand, striving to lead the market in performance and mobility. Their products represent reliability, innovation, and innovative technology. Pidion is a registered trademark from the global brand of Bluebird Soft Inc. and is copyright protected.

## User's guidance

Device type	User's guidance
<b>Class B Device (Household Information and Communication Device)</b>	This device has qualified the electromagnetic wave suitable registration and can be used as a household device at a residential area as well as any other areas.
<b>Type registration</b>	This wireless device may cause propagation interference, and so, it cannot be used for life-saving services.

※ Please read warnings and cautions before use.

## FCC (Federal Communications Commission)

This device complies with Part 15 of the FCC's Rules. Operation is subject to the following two Conditions:

1. This device may not cause harmful interference, and
2. This device must accept antenna interference received, including interference that may cause undesirable operation.

This device complies with part 15 of the FCC Rules. Operation is subject to the condition that this device does not cause harmful interference.

The antenna must be installed such that 0 cm is maintained between the antenna and users, and the transmitter module may not be co-located with any other transmitter or antenna.

End users cannot modify this transmitter device. Any Unauthorized modification could void the user's authority to operate this device.

## CE

Hereby, Bluebird Soft Inc. declares that this MT3XX is in compliance with the essential requirements and other relevant provisions of directive 1999/5/EC.

Use only power supplies listed in the user manual.

### Adaptor Info

- Manufacturer : PHIHONG (Switching Power Supply)
- Model : PSAC30U-090
- Input : 100-240~0.8A, 50~60Hz
- Output : 9V 3.0A

This equipment has been tested and found to comply with the limits for a Class B digital device, pursuant to Part 15 of the FCC Rules. These limits are designed to provide reasonable protection against harmful interference in a residential installation. This equipment generates uses and can radiate radio frequency energy and, if not installed and used in accordance with the instructions, may cause harmful interference to radio communications. However, there is no guarantee that interference will not occur in a particular installation. If this equipment does cause harmful interference to radio or television reception, which can be determined by turning the equipment off and on, the user is encouraged to try to correct the interference by one or more of the following measures:

- Reorient or relocate the receiving antenna.
- Increase the separation between the equipment and receiver.
- Connect the equipment into an outlet on a circuit different from that to which the receiver is connected.
- Consult the dealer or an experienced radio/TV technical for help.
- Reorient or relocate the receiving antenna.
- Increase the separation between the equipment and receiver.
- Connect the equipment into an outlet on a circuit different from that to which the receiver is connected.
- Consult the dealer or an experienced radio/TV technical for help.

# Contents

---

<b>Notice Before Using Device</b> .....	5
<b>Precautions Before Using Battery</b> .....	6
<b>About the product</b>	
1. Checking components .....	7
2. Checking names of parts .....	8
3. Features .....	10
<b>Changing the printing paper</b>	
1. Opening the Printer Cover .....	10
2. Closing Paper Roll Cover .....	11
3. Direction for Receipt Cut .....	11
<b>Paying with card</b>	
1. Paying with MSR .....	12
2. Paying with IC Card .....	12
3. Contactless .....	12
<b>Learning Basics</b>	
1. Insert / Remove the battery .....	13
1-1. Insert the battery .....	13
1-2. Remove the battery .....	13
2. Insert / Remove the USIM card .....	14
2-1. Insert the USIM card .....	14
2-2. Remove the USIM card .....	15
3. Insert / Remove the microSD card .....	15
2-1. Insert the microSD card .....	15
2-2. Remove microSD card .....	16
4. To Connect the Terminal Power .....	17
5. Charging with Cradle .....	18
<b>Device Specifications</b> .....	19
<b>Q &amp; A</b> .....	21
<b>Service Center</b> .....	23
<b>Warranty Certificate</b> .....	25

## Notice Before Using Device

---



This information is for your own safety. Please observe the following precautions.

- This device is qualified for the standard of the safety of human body against electromagnetic wave. For your own safety, please use certified devices provided by headquarter.  
If not the case, we cannot guarantee your safety.
- Do not press power button on the device if the device is wet or do not touch adapter or power cord with wet hands. There is risk of electric shock.
- Do not remodel, take apart, or repair the device. Please refer to your customer service center.  
If not the case, you will not be able to get your free repair service.
- Please follow instructions when using the battery.
- Do not use your device at an explosive danger zone.
- In case your device is wet, do not put your device in heaters, microwaves, or etc to dry- there is a risk of explosion or it can be the cause of malfunction.  
(Please note there is a label in the device that changes color when it gets wet. In this case you will not be able to get your free repair service.)
- Do not use your device when boarding a plane or inside of hospitals.
- Please backup the data and information from your device.  
During the repair or upgrade, there is a slight possibility of your data being erased.  
(Ring tones, text/voice message, characters will be reset.)
- Please refrain from using your device while driving. If you are in an unavoidable situation, stop your vehicle or use your hand free kit.
- Do not use in places of high temperature and high humidity. The following can be the causes of malfunction: getting wet from the rain, spilling drinks, and taking it in with you at the sauna (high temp.)  
In these cases, you cannot receive your free repair service.
- Do not place credit cards, phone cards, bankbook, and tickets next to the device.  
The magnetic forces of the device can damage the information of listed item.
- Please avoid impacts or vibrations. When the device is not in use, unplug the power cord and place it at a safe place where it won't drop.
- Do not place your device at a dusty place. Keep your power cord away from any heating devices. Unplug the power cord when cleaning. If there are any dusts or residue clean the power cords pins thoroughly.
- When a battery is not in use for a long time, please charge and store it at room temperature. Even for fully charged battery, the lifetime can be decreased because of its own properties of voltage decrease.
- Do not paint your device. It can damage your screen or your device's exterior.  
Also, the paint can peel off and it triggers allergies. If there is allergic reaction, please find medical advice.

## Precautions Before Using Battery

---



These are safety precautions in order to prevent a dangerous accident.  
Please use the battery correctly and carefully observe the instructions.

- If the battery is taken apart by impact, applied heat, submersion, or hole-drilling, there is a risk of a dangerous explosion. Please keep away from children and animals.
- Leaving the battery in the vehicles under direct sunlight or any enclosed space with hot temperature can deform or break down the battery.
- Please do not make any improper contact on battery contact pin with necklaces, coins or any electric conductors. Do not give any impact by sharp object. There is a risk of explosion.
- Please use only the designated battery for the device.  
If the original battery is not used, the life of the device may decrease and there is a risk of explosion. (In this case you cannot receive the free repair service)
- When charging the battery, you must use the supplied standard power adapter.  
If the original adapter is not used, the battery life may decrease and may explode. (In this case you cannot receive the free repair service)

## About the product

---

### 1. Checking components

The images in this User's Manual may not reflect the color and shape of the actual product.

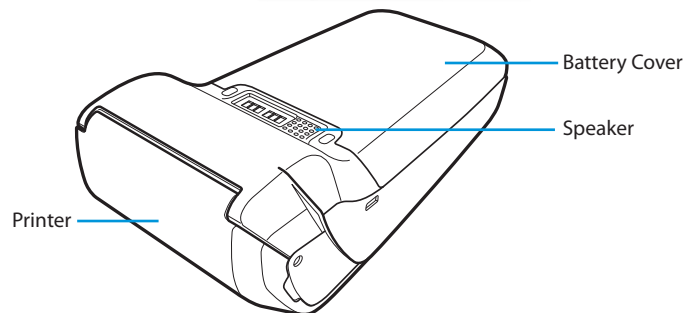
Please contact the Customer Care Center if you wish to purchase any additional or optional products.



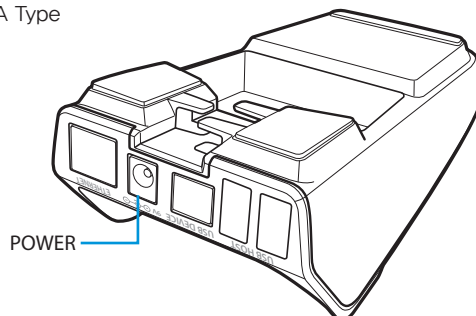
## About the product

### 2. Checking names of parts

#### 2-1. Main Body



#### 2-2. Cradle A Type



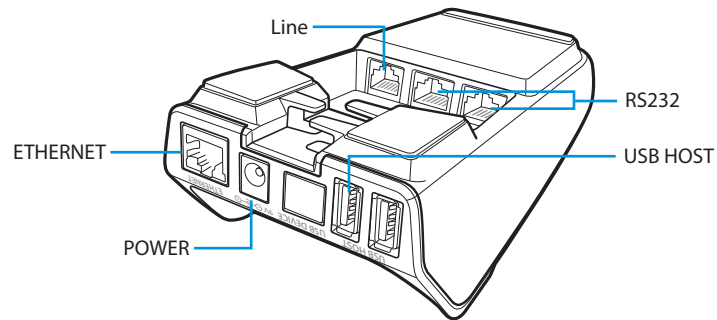
1SC-MT-A : DC Only



## About the product

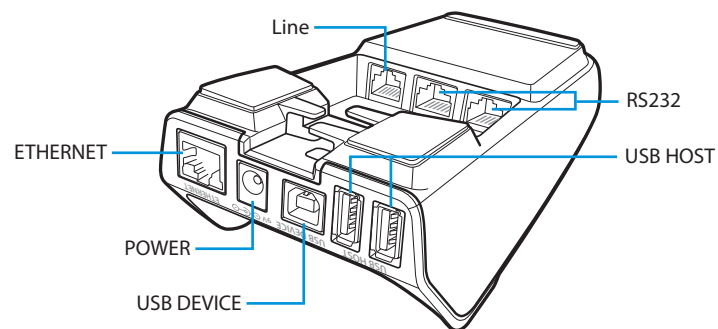
---

### 2-3. Cradle B Type



1SC-MT-B : DC, PSTN, Ethernet, USB Host 2Slot, RS232 2Slot

### 2-4. Cradle C Type



1SC-MT-C : DC, PSTN, Ethernet, USB Host 2Slot, RS232 2Slot  
Bluetooth, USB Client

## About the product

---

### 3. Features

The front panel includes the following features:



- Terminal display, Backlight LCD screen.
- Built-in MSR is located at the right side of the device. There is the icon shows you the proper way to swipe the card. It will be swiped down. The magnetic stripe of the card needs to be facing to the device while swiping.
- An internal thermal printer.
- Built-in IC card reader is located at the bottom of the terminal. There is the icon shows you the proper way to insert IC card.
- Button
  - Perform the functions that correspond to each image.
  - Wake-up-button turning on the terminal (Turn On) and terminal (Sleep Wake Up).

## Changing the printing paper

---

### 1. Opening the Printer Cover

Unlatch the paper roll cover located on the top of the terminal. Lift the cover up to open.



Remove any partial roll of paper in the printer tray by lifting up.

## Changing the printing paper

---

### 2. Closing Paper Roll Cover

Please be careful not to insert printer paper in the opposite direction.



Tear the paper off against the top case in the printer.

### 3. Direction for Receipt Cut

Pull the Receipt Toward the LCD.



The printer cover can open if the Receipt is pulled backward.

## Paying with card

---

### 1. Paying with MSR



The card can be swiped in both directions.  
Please swipe the card.

### 2. Paying with IC Card



Insert IC card. IC chip needs to go in first.  
Please make sure that insert the card all the way in.

### 3. Contactless



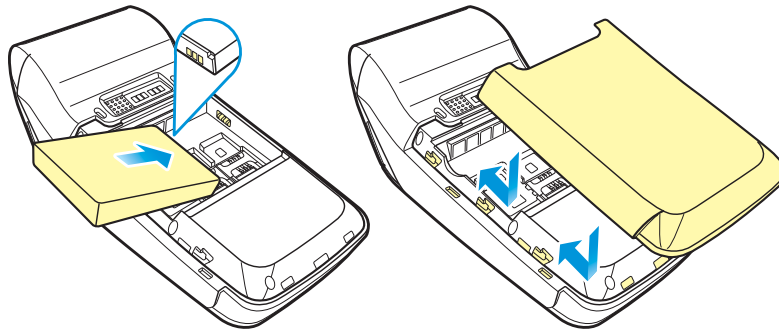
Touch a card to the front LCD when you pay PICC.

## Learning Basics

---

### 1. Insert / Remove the battery

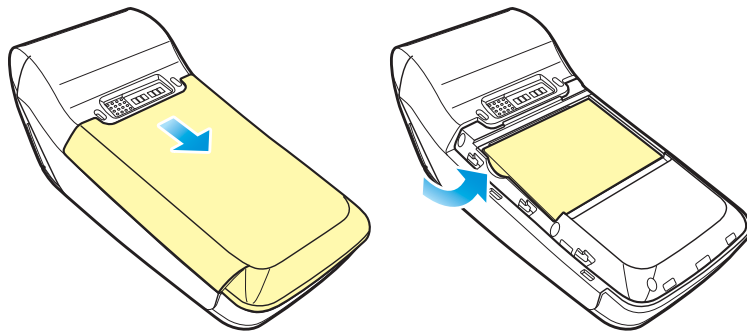
#### 1-1. Insert the battery



① Push your battery in the direction of the arrow.

② Put on the battery cover in the direction on the arrows.

#### 1-2. Remove the battery



① Slide down the battery cover to open it.

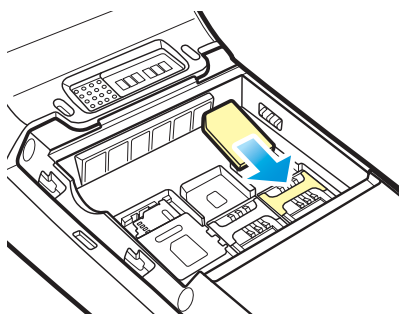
② Lift the battery in the direction of the arrow.

## Learning Basics

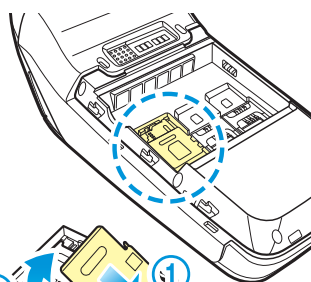
---

### 2. Insert / Remove the USIM card

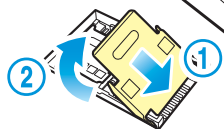
#### 2-1. Insert the USIM card



Slide in the USIM card in the arrow direction.  
The device supports 2 USIM slots.

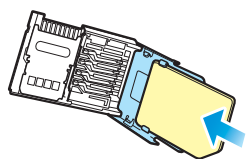


① Push the USIM card holder to 'OPEN' direction then lift up.



②

①

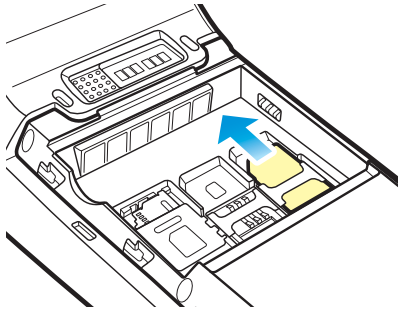


② Place the USIM card on the holder then push down the holder.

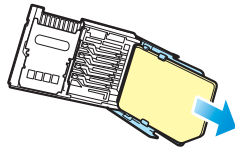
## Learning Basics

---

### 2-2. Remove the USIM card



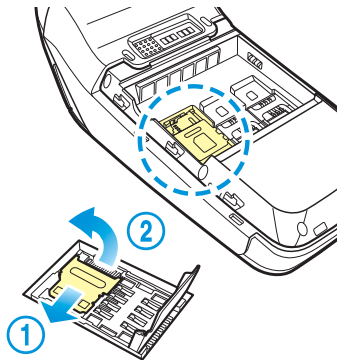
Push the top of the USIM card to slide it out in the arrow direction.



Push the top of the USIM card and slide it out from the holder.

### 3. Insert / Remove the microSD card

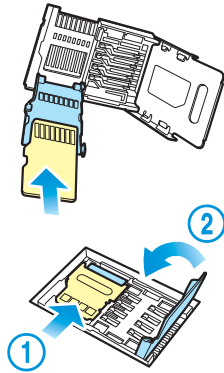
#### 3-1. Insert the microSD card



① Open the storage card holder by lifting up the flap.

## Learning Basics

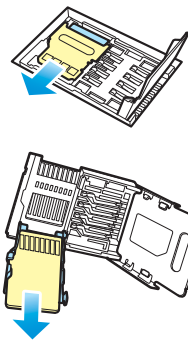
---



② Insert the microSD card into the storage card holder with its gold contacts facing out.

③ Lock the storage card holder by pushing it down into place.

### 3-2. Remove microSD card



① With the USIM card and storage card compartment opened, lift the storage card holder flap to open it.

② Remove the microSD card.



## Learning Basics

---

### 4. To Connect the Terminal Power



As you see in the picture, connect the adapter with the power cable to charge the power.



- When The battery of the device is low, it may warn you with a ring and a message.
- The charging time can vary depending on the environment. A new battery is only partially charged. Please charge fully before using.

## Learning Basics

---

### 5. Charging with Cradle



As you see in the picture, connect the adapter with the power cable to Cradle.



- When The battery of the device is low, it may warn you with a ring and a message.
- The charging time can vary depending on the environment.  
A new battery is only partially charged. Please charge fully before using.

## Device Specifications

Performance Characteristics	
Processor	ARM9 32-bit Exclusive Security Processor
OS	Windows CE 6.0
Memory	256MB (128MB of Flash, 128MB of SDRAM) standard, can exceed up to 640 MB
Interface	One USB Host & Device port
Communication Options	
WWAN Radio	Optional, GPRS/EDGE/UMTS/HSPA
WLAN Radio	Optional, IEEE 802.11 b/g/n
WPAN Radio	Optional, Bluetooth V2.1 + EDR
Payment Options	
Magstripe	Bi-directional, Triple track (Tracks 1, 2, 3)
Smart Card	EMV Level 1 and 2 type approved; ISO 7816, 1.8V, 3V, 5V; synchronous and asynchronous cards
Contactless	Optional MasterCard PayPass Visa payWave NFC(Near Field Communication),All Types Supported(MIFARE/ CALYPSO/FELICA/ETC.)
Security Characteristics	
Security	Stonewall Security™ Patented PCI PTS 3.X
Physical Characteristics	
Dimension & Weight	25mm paper roll option : 78 x 45.4 x 150 / 350g 40mm paper roll option : 78 x 57 x 161.4 / 375g
Display	2.8-inch 26K Color, 320 x 240 pixels resolution; Optional Capacitive Touch with Corning® Gorilla® Glass & Tactile feedback
Keypad	3x5 numeric backlit keypad, 9 Backlit operational keypad
Battery & Voltage	Li-ion 1,500mAh Terminal/Cradle 9v 3A Car charger 9v 2.5A
Expansion Slot	Optional, MicroSD
SIM/SAM Slot	Optional, 3 SAMs or 1 SIM / 2 SAMs
Printer	40 lines/second, 24 or 32 columns standard roll paper 58mm (2.25 in.) x 25 or 40mm
Audio	Buzzer, Optional Speaker



Please ask your sales representative for the specs not listed above.

## Device Specifications

---

User Environment Characteristics	
Durability	TankSmith™ Technology 4ft./1.2m drop to steel & Waterproof Keypad
Operating Temp	0°C to 50°C / 32°F to 122°F operating temperature
Storage Temp	-20°C to 60°C / -4°F to 140°F
Humidity	5% to 95% relative humidity, non-condensing
Cradle	
Charger	Charger
Ethernet Dial-up Modem	Charger + Dial-up Modem + Ethernet 10/100 Base T + 2 USB Host + 2 RS232
Bluetooth Ethernet Dial-up Modem	Charger + Dial-up Modem + Ethernet 10/100 Base T + 2 USB Host + 2 RS232 + USB Device + Bluetooth



Please ask your sales representative for the specs not listed above.

---

## Q & A

---

**Q** Water went into my device. What do I do?

**A** First, remove the battery from the device and completely dry them in a dry place.  
After drying for a good period of time, try to turn it on. If it still does not turn on, the main-board or other parts needs to be replaced.  
Please contact to your service center.

**Q** The MT3XX won't turn on.

**A** The program may be damaged. Please try resetting your device.  
If it still doesn't work, Please contact the service center.

**Q** The MT3XX won't charge.

**A** A Make sure the power cable and your device have been properly connected.  
Try to clean the charging terminals. If they still do not work, your battery life might be finished or it may be a broken battery.  
(The battery warranty lasts for 6 months)

**Q** How do I get the repair service?

**A** You can send the device via a delivery service to headquarter.  
When sending the package, make sure you pay for the shipping fee in advance.  
When the repair is finished, headquarter will cover the shipping cost.

**Q** My battery drains very quickly.

**A** The battery can be drained quickly when the Wi-Fi or Bluetooth is turned on.  
If it drains quickly regardless of using the options above, please purchase another battery.



- If you have done the above and the device still does not work, please contact to the service center.
  - After the 1 year warranty the repair service will be charged.
-

## Q & A

---

### **Q** Printer Would Not Print.

- A** Check the battery status as well as the power connection. Without sufficient battery life to carry out a complete printing operation, the printer will not print. Make sure the printer has not run out of paper, and the roll has been properly installed. Open the printer cover and install a new roll of printer paper. Make sure the roll is feeding from the bottom. Verify that the Paper Roller and Printer Cover are properly installed.

### **Q** Printer Paper Jam.

- A** Remove the jammed paper from the paper roll and clear the feeding mechanism. Install a printer paper roll according to the Install the Paper Roll. If the problem continues, it is most likely because of the low paper quality. Install a new roll of paper in a better condition.

### **Q** Transactions Process Fails.

#### **A1** Check the Magnetic Stripe Reader.

Conduct a test transaction with one or more different magnetic stripe cards to ensure the problem is not the card itself. Make sure to swipe the cards properly. With the MT760 Magnetic Stripe Reader, the black magnetic stripe on the card should face down and inward, and toward the keypad. The card must be inserted from the top.

#### **A2** Check the IC-Card Reader.

Conduct a test transaction with one or more smart cards to ensure the problem is not the card itself. Make sure to insert the cards properly, and do not remove the card in a premature manner. Make sure the SAM cards are properly installed in the IC Card Slot (that is secured according to Install/Replace SAM Cards).



- If you have done the above and the device still does not work, please contact to the service center.
  - After the 1 year warranty the repair service will be charged.
-

## Service Center

---

### Before Requesting After-Sales Service

Before asking for after-sales service, please back up the data from the terminal. We do not back up data from the products received in the Customer Care Center. Therefore, we assume no responsibility for loss/deletion of data.

### Bluebird Soft Customer Service

- FAX : +82-2-548-0870
- E-Mail : mookseven@bluebird.co.kr
- Address : Customers service center, SSang-young IT twintower B 703,  
Sangdaewon-dong 442-5, Joongwon-gu, Sunghnam-si, Keonggi-do,  
Korea

### Operating hours

- Mon.-Fri. : 9:30 A.M. ~ 6:30 P.M. (GMT Time: +9 Hours)  
The center is closed on Saturdays, Sundays and holidays.

### Registering for After-Sales Service

- We receive the products for after-sales service through mail, delivery service and hand carry only in principle.
- If you bought the product from any party other than the authorized dealer, you need to register the product before asking for after-sales service.
- Please enclose an evidence of purchasing or the receipt to the product for after-sales service.
- Please enclose the name, telephone number, address and symptom for prompt service.
- You can ask for after-sales service through the dealer or the Customer Care Center in the head office.
- Do not intentionally damage the label on the product.
- Damaged label may result in a disadvantage to the customer.
- When you return the product to Bluebird Soft for service, please put the product in a protective box.
- Warranty will not be provided for any damage occurring during delivery. We recommend you to use the box and protective cover supplied with the product.
- Make sure to deliver the product in a safe way. Bluebird Soft assumes no responsibility for loss of the product during delivery.

## Service Center

---

### Charged Service

1. If it is not a default, it will be charged when requesting for after-sales service.
  - Service request due to inappropriate use of the customer
  - Loss of a PIN number
  - Use of programs that might effect the program (over-clock, forceful changes in the input of the system, personal developments)
2. Default due to a mistake on the part of the customer
  - Default due to inappropriate or careless use of the product (dropping, submersion under water, shock, damage, unreasonable operations, etc).
  - Default due to a repair or unauthorized technician.
  - Default caused intentionally or by carelessness of the customer.
  - Default due to the use of fraudulent parts or components.
3. Other cases
  - Default due to nature (fire, damage due to sea wind, flood damage, etc.).
  - Expendable parts have exhausted there life (batteries, antenna, or other component parts).
4. Regulations of treatment after charged service
  - If the same default occurs on the part that had been repaired within a 2 months(60 days) period, it will be provided with free of charge repair service.

---

There will be no returning of goods or repayment upon the following situation



- Removal of the sealing of the product if it had been sealed.
  - If the product has been damaged due to careless use by the customer or due to a natural disaster (floods, rain, fire, etc.).
  - Loss of product or other components (CD, diskette, manual, connecting cables, etc).
  - Damage to the product after 10 days of purchase, the product will either be exchanged or provided with after-sales service (note, returning of goods or repayment is not allowed).
-



## Warranty Certificate

---

### Thank you for purchasing a product from Bluebird Soft Inc.

- If a circumstance arises where you lose a receipt or the certificate of guarantee, then the term of guarantee will be calculated 3 months (certified by the number of the manufacture, a certificate of inspection) after the date of manufacture.
- In case of accessories (such as batteries), only those that match the sales list managed by the service center will be eligible for customer service.
- A repair or an exchange of batteries that does not match the sales list of the service center due to the carelessness of the customer will be fully charged.

Name of Product	Touch Mobile Payment Terminal
Name of Model	MT3XX
Date of Purchase	
Manufacture Number	
Place of Purchase	
Term of Guarantee	1 year from purchase

### Warranty

1. Bluebird Soft Inc. (hereinafter referred to as Bluebird) provides the warranty service for its products in compliance with the regulations on compensation for damage of customer.
2. Upon receiving a notification on a defect of its product within the range of warranty during the warranty period, Bluebird will repair or replace the defective product according to its warranty policy.
3. If the defective product within the range of warranty is not repairable or replaceable, Bluebird shall refund the purchasing price within a designated period from the date of receiving a notice of defect.
4. Bluebird assumes no responsibility for repairing, replacement or refund until it receives the defective product from the customer. The replacement shall be equivalent to a new product in the aspect of performance.
5. Warranty of Bluebird is valid in the countries where the Bluebird products are distributed by Bluebird. (Contract for additional warranty service like field service)
6. Bluebird products may contain the recycled products, components or materials equivalent to new products in the aspect of performance.
7. This warranty is applied to software products only when the programming commands are not executed. Bluebird does not guarantee interruption-free or error-free performance.



# Bluebird

## Customers Service Center

### Hours

Mon. ~ Fri. : 9:30 A.M. ~ 6:30 P.M.  
(GMT Time: +9 Hours)

We are not open on Saturday,  
Sundays and National Holidays.

### Address

Customers service center, SSang-young  
IT twintower B 703, Sangdaewon-dong  
442-5, Joongwon-gu, Sungnam-si,  
Keonggi-do, Korea

**Bluebird constantly strives to bring  
utmost satisfaction to all our customers.**