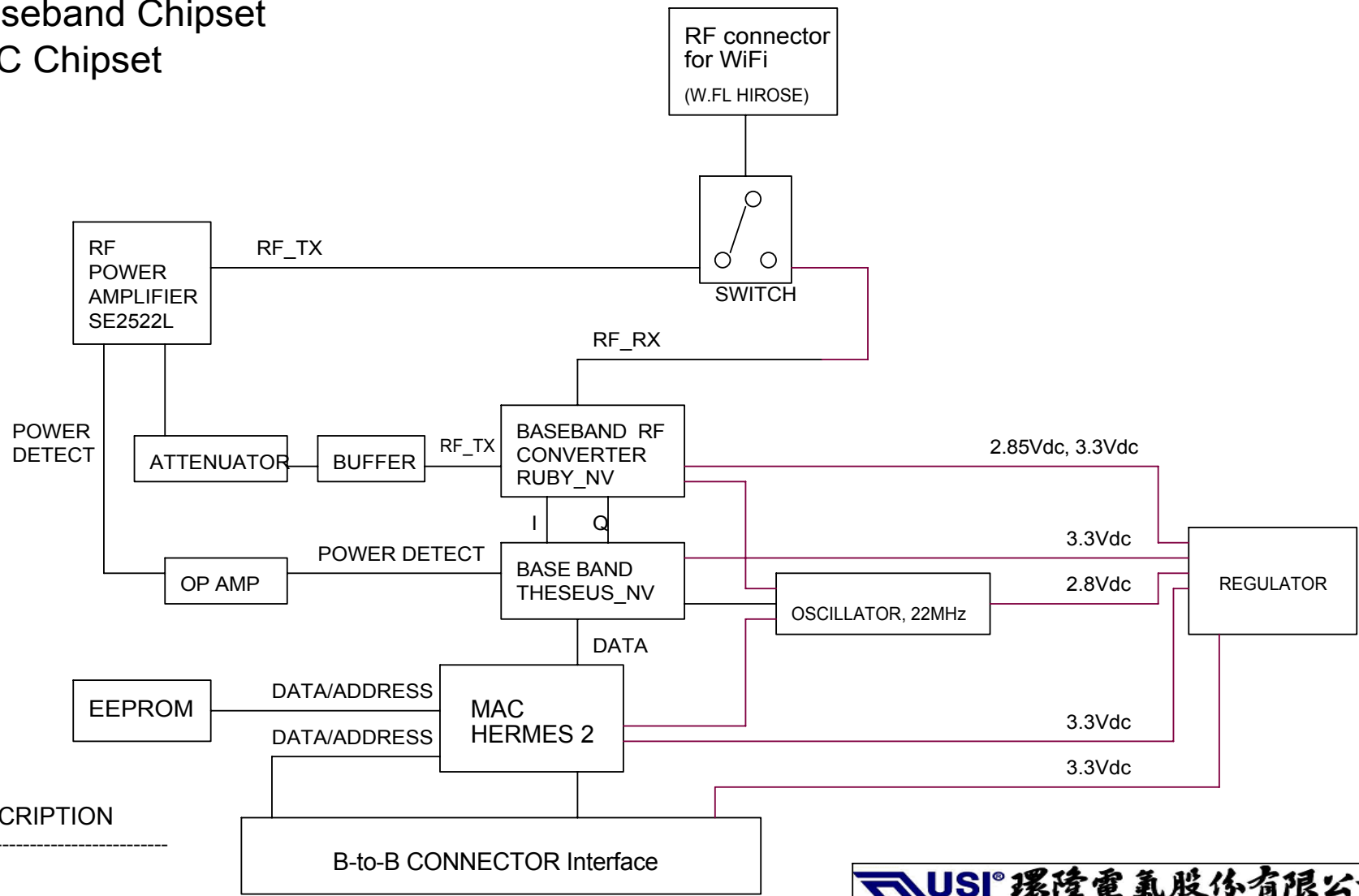


SiP Wireless LAN 802.11b - Only Module

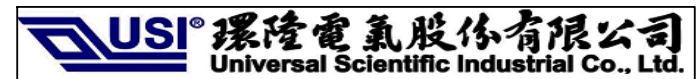
Designed with AGERE RUBY2 RF Chipset
& THESEUS2 Baseband Chipset
& HERMES2 MAC Chipset



PAGE FUNCTIONAL DESCRIPTION

- 0 Blockdiagram
- 1 Host Interface & Power Supply
- 2 Hermes II
- 3 Theseus II
- 4 Base Band RF Converter
- 5 RF Power Amplifier & RF input/output

1



Design Engineer : Lucy Chung, Chia-Hong Chan

Title H2SIP - Block diagram		
Size A4	Document Number ST01-11-030056	Rev 30
Date: February 23, 2004	Sheet 1	of 9