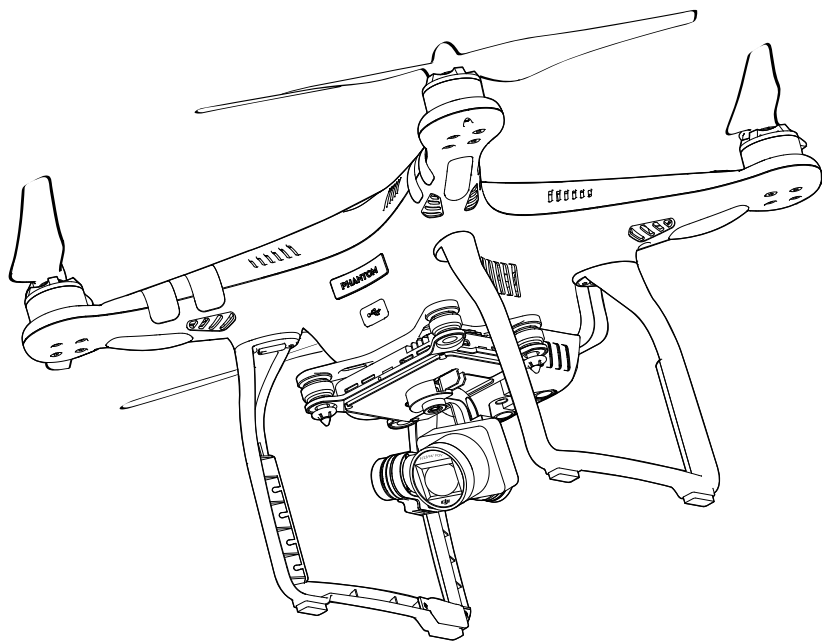


# PHANTOM 3 Advanced

User Manual V1.0

2015.03



# Using this manual

## Legends



Warning



Important



Hints and Tips



Reference

## Read Before the First Flight

Read the follow documents before using the Phantom 3 Advanced for the first time.

1. *Disclaimer*
2. *Phantom 3 Advanced Quick Start Guide*
3. *Phantom 3 Advanced User Manual*
4. *In the Box*
5. *Safety Guidelines*
6. *Intelligent Flight Battery Safety Guidelines*

It is recommended to watch all the tutorial videos on DJI official website and read the Disclaimer before your first flight. Prepare for your first flight by using the Phantom 3 Advanced Quick Start Guide. Refer to the user manual for more detailed information.

## Video Tutorials

Please watch the tutorial video below to learn how to use Phantom 3 Advanced safely:

<http://www.dji.com/product/phantom-3-advanced/video>



## Download the DJI Pilot app

Download and install the DJI Pilot app before use. Scan the QR code below to download.

For Android version of the DJI Pilot app is compatible with Android 4.1.2 or later.

For iOS version of the DJI Pilot app is compatible with iOS 8.0 or later.



# Contents

## Using this manual

Legends	2
Before Flight	2
Watch the video tutorials	2
Download the DJI Pilot app	2

## Product Profile

Introduction	6
Feature Highlights	6
Assemble the Aircraft	7
Aircraft Diagram	8
Remote Controller Diagram	9

## Aircraft

Flight Controller	12
Flight Mode	12
Flight Status Indicator	12
Return to Home (RTH)	13
Smart RTH	13
Low Battery RTH	14
Failsafe RTH	15
Dynamic Home Point	15
Vision Positioning System	16
Flight Recorder	17
Attaching and Detaching the Propellers	17
DJI Intelligent Flight Battery	18

## Remote Control

Remote Controller Profile	24
Remote Controller Operations	24
Remote Controller Status LED	29
Linking the Remote Controller	29
Remote Controller Compliance Version	30

## **Camera and Gimbal**

Camera Profile	32
Gimbal	33

## **DJI Pilot App**

Camera	36
Map	40
Academy	40
User Center	40

## **Flight**

Flight Environment Requirements	42
Flight Limits and Flight Restriction Area	42
Preflight Checklist	46
Calibrating the Compass	46
Auto Take-off and Auto Landing	47
Flight Test	48
Starting/Stopping the Motors	48

## **Troubleshooting (FAQ)**

## **Appendix**

Specifications	53
Intelligent Orientation Control (IOC)	56
FCC Compliance	57

# Product Profile

---

This chapter introduces the Phantom 3 Advanced and lists the components on the aircraft and remote controllers.

# Product Profile

## Introduction

The Phantom 3 Advanced is a brand new quadcopter capable of capturing HD video and transmitting an HD video signal out of the box. The built-in camera has an integrated gimbal to maximize stability and weight efficiency while minimizing space. Even when no GPS signal is available, Vision Positioning system provides hovering precision.

## Feature Highlights

**Camera and Gimbal:** The Phantom 3 Advanced camera records video at up to 1080P and it is capable of capturing 12 megapixel stills.

**HD Video Downlink:** Low latency, HD downlink powered by an enhanced version of the DJI Lightbridge system.

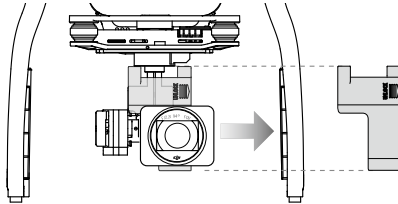
**DJI Intelligent Flight Battery:** 4480 mAh DJI Intelligent Flight Battery employs new battery cells and a battery management system.

**Flight Controller:** The next generation flight controller system provides a more reliable flight experience. A new flight recorder stores the flight data from each flight, and Vision Positioning enhances hovering precision when flying indoors and no GPS is available.

## Assemble the Aircraft

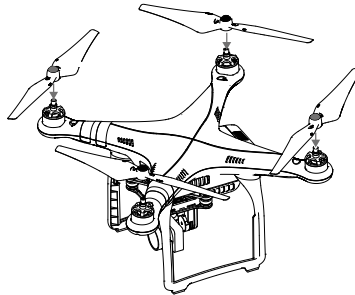
### Removing Gimbal Clamp

Remove the gimbal clamp in the direction as shown below:



### Attaching Propellers

Attach the propellers with the black nut onto motors with the black axis and spin counter-clockwise to secure. Attach propellers with grey nut onto motors without a grey axis and spin clockwise to secure.

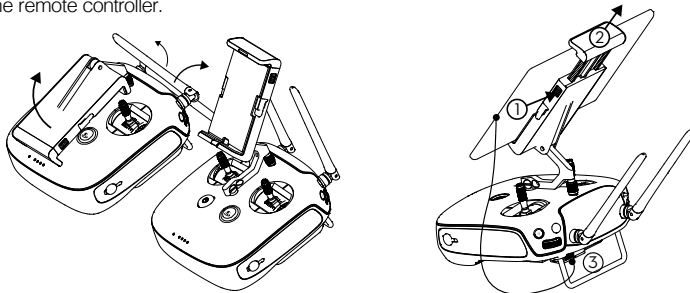


 Place all propellers onto the correct motor and tighten by hand to secure its position.

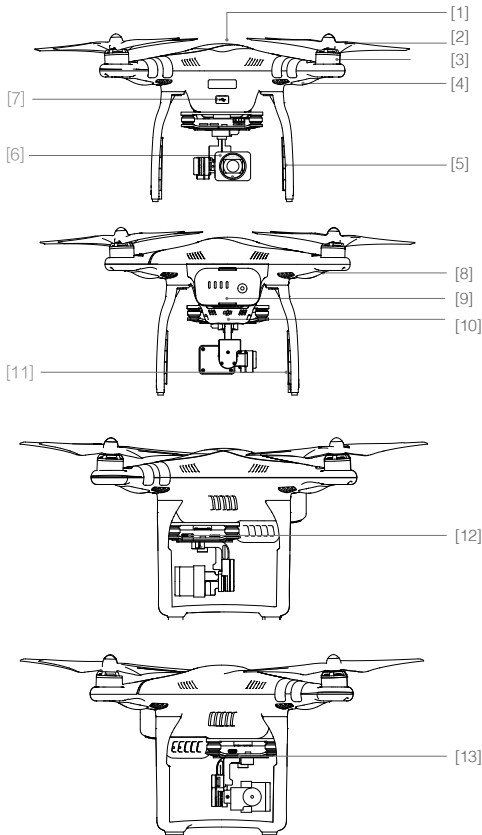
### Preparing Remote Controller

Tilt the Mobile Device Holder to the desired position then adjust the antennas.

1. Press the button on the side of the Mobile Device Holder to release the clamp, adjust the clamp to fit the size of the mobile device.
2. Connect the mobile device to the remote controller with a USB cable.
3. Plug one end of the cable into the mobile device, and the other end into the USB port on the back of the remote controller.

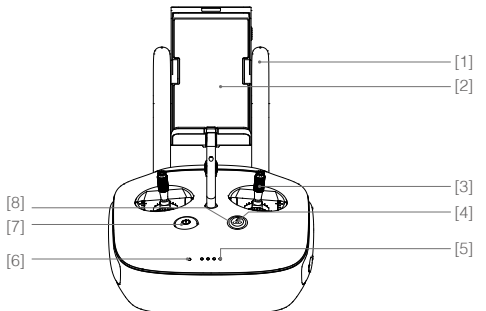


## Aircraft Diagram



- [1] GPS
- [2] Propeller
- [3] Motor
- [4] Front LED
- [5] Landing gear
- [6] Gimbal and Camera
- [7] Aircraft Micro-USB Port
- [8] Aircraft Status Indicator
- [9] Intelligent Flight Battery
- [10] Vision Positioning Sensors
- [11] Antennas
- [12] Camera Micro-SD Card Slot
- [13] Camera Micro-USB Port

## Remote Controller Diagram



- [1] Antennas  
Relays aircraft control and video signal.
- [2] Mobile Device Holder  
Mounting place for your mobile device.
- [3] Control Stick  
Controls aircraft orientation.
- [4] Return Home (RTH) Button  
Press and hold the button to initiate Return to Home (RTH).



**[5] Battery Level LEDs**

Displays the battery level of the remote controller.

**[6] Status LED**

Displays the remote controller's system status.

**[7] Power Button**

Used to power on or power off the remote controller.

**[8] RTH LED**

Circular LED around the RTH button displays RTH status.

**[9] Camera Settings Dial**

Turn the dial to adjust camera settings. Only functions when the remote controller is connected to a mobile device running the DJI Pilot app.

**[10] Playback Button**

Playback the captured images or videos.

**[11] Shutter Button**

Press to take a photo. If in burst mode, the set number of photos will be taken with one press.

**[12] Flight Mode Switch**

Switch between P, A and F mode.

**[13] Video Recording Button**

Press to start recording video. Press again to stop recording.

**[14] Gimbal Dial**

Use this dial to control the tilt of the gimbal.

**[17] Back Right Button**

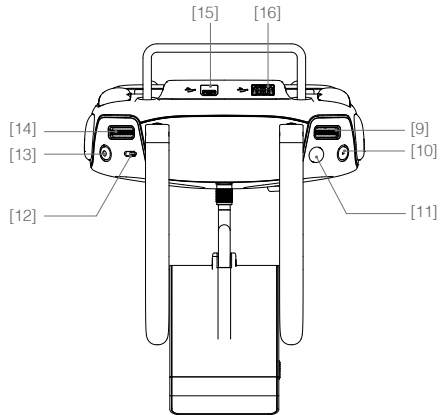
Customizable button in DJI Pilot app.

**[18] Back Left Button**

Customizable button in DJI Pilot app.

**[19] Power Port**

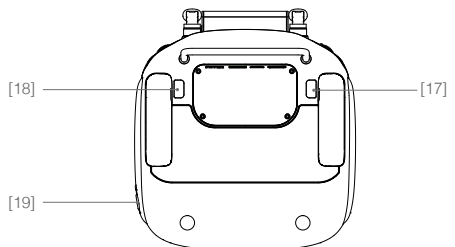
Connect to a power source to charge the battery of the remote controller.

**[15] Micro-USB Port**

Connect to a SD card reader to upgrade the firmware.

**[16] USB Port**

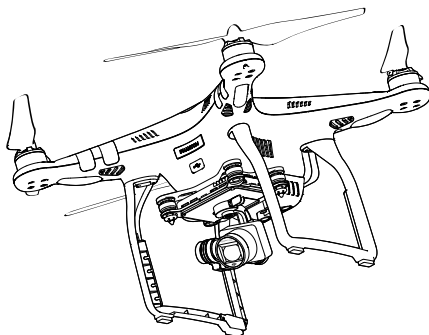
Connect to mobile device or to a USB thumb drive for firmware upgrade.



# Aircraft

---

This chapter introduces the features of the flight controller, Vision Positioning System and the Intelligent Flight Battery.



# Aircraft

## Flight Controller

The Phantom 3 Advanced's flight controller is based on DJI flight controller with several enhancements such as new flight mode. Three safe modes are available: Failsafe, Return Home and Dynamic Home Point. These features ensure the safe return of your aircraft if the control signal is lost. The flight controller can store crucial flight data to the on-board storage device for each flight.

## Flight Mode

Three flight modes are available. The details of each flight mode are found in the section below:

**P mode (Positioning)** : P mode works best when GPS signal is strong. There are three different states of P mode, which will be automatically selected by the Phantom 3 Advanced depending on signal strength of GPS and Vision Positioning sensors :

**P-GPS**: GPS and Vision Positioning both are available, and the aircraft is using GPS for positioning.

**P-OPTI**: Vision Positioning is available but the GPS signal is not. Aircraft is using only Vision Positioning for hovering

**P-ATTI**: Neither GPS or Vision Positioning available, aircraft is using only its barometer for positioning, so only altitude is controlled.

**A mode (Attitude)**: GPS and Vision Positioning System is not used for stabilization. The aircraft only uses its barometer to stabilize. The aircraft can automatically return home if remote control signal is lost if the Home Point is recorded successfully.

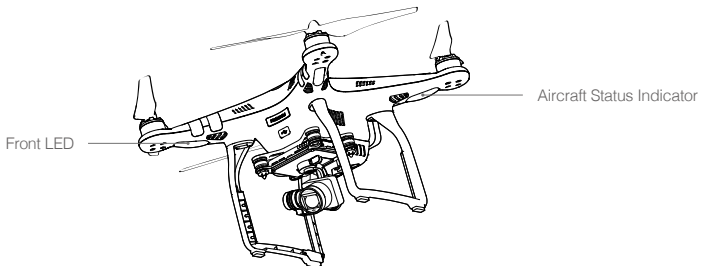
**F mode (Function)**: Intelligent Orientation Control (IOC) is activated in this mode. For more information about IOC, refer to the IOC section in the Appendix.



Use the Flight Controller mode switch to change the flight mode of the aircraft, refer to the "Flight Mode Switch" on P24 for more information.

## Flight Status Indicator




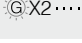
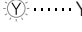
The Phantom 3 Advanced comes with the Front LED and Aircraft Status Indicator. The positions of these LEDs are shown in the figure below:



The Front shows the orientation of the aircraft. The Front LED displays solid red. Aircraft Status Indicator shows the system status of the flight controller. Refer to the table below for more information about the Aircraft Status Indicator:

## Aircraft Status Indicator Description

## Normal




 ..... Red, Green and Yellow Flash Alternately	Power on and self-check
 ..... Green and Yellow Flash Alternately	Aircraft warming up
 ..... Green Flashes Slowly	Safe to Fly (P mode with GPS and Vision Positioning)
 X2 ..... Green Flashes Twice	Safe to Fly (P mode with Vision Positioning but without GPS)
 ..... Yellow Flashes Slowly	Safe to Fly (A mode but No GPS and Vision Positioning)

## Warning

 ..... Fast Yellow Flashing	Remote Controller Signal Lost
 ..... Slow Red Flashing	Low Battery Warning
 ..... Fast Red Flashing	Critical Low Battery Warning
 ..... Red Flashing Alternately	IMU Error
 — Solid Red	Critical Error
 ..... Red and Yellow Flash Alternately	Compass Calibration Required

## Return to Home (RTH)

The Return to Home (RTH) brings the aircraft back to the last recorded Home Point. There are three cases that will trigger RTH procedure; they are Smart RTH, Low Battery RTH and Failsafe RTH. The remaining part of this section will describe these three cases in details.

	GPS	Description
Home Point		The Home Point is the location at which your aircraft takes off when the GPS signal is strong. You can view the GPS signal strength through the GPS icon (  ). Aircraft status indicator will blink rapidly when home point is recorded.

## Smart RTH

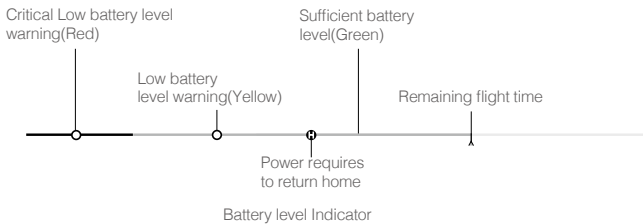
Use the RTH button on the remote controller (refer to “RTH button” on P28 for more information) or tap the RTH button in the DJI Pilot app when GPS is available to start Smart RTH. The aircraft returns to the latest recorded Home Point, you may control the aircraft’s orientation to avoid collision during the Smart RTH. Press and hold the Smart RTH button once to start the process, press the Smart RTH button again to exit Smart RTH and regain the control.

## Low Battery RTH

The low battery level failsafe is triggered when the DJI Intelligent Flight Battery is depleted to a point that may affect the safe return of the aircraft. Users are advised to return or land the aircraft immediately when these warnings are prompted. DJI Pilot app will advise user to return the aircraft to the Home Point when low battery warning is triggered. Aircraft will automatically return to the Home Point if no action is taken after 10 seconds countdown. User can cancel the RTH by pressing once on the RTH button. The thresholds for these warnings are automatically determined based on the current aircraft altitude and its distance from the Home Point.

Aircraft will land automatically if the current battery level can only support the aircraft to land from the current altitude. User can use the remote controller to control the aircraft's orientation during the landing process.

The Battery Level Indicator is displayed in the DJI Pilot app, and is described below



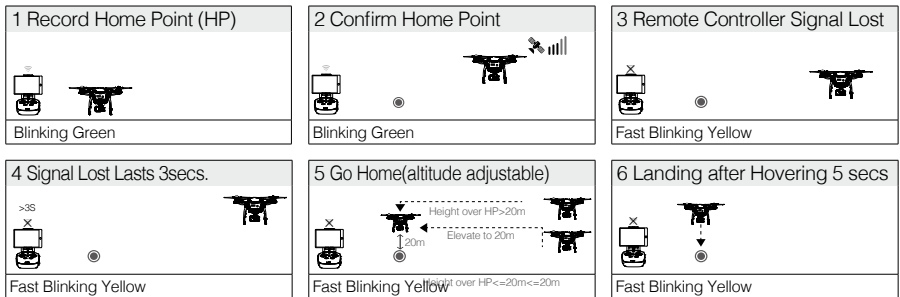
Battery Level Warning	Remark	Aircraft Status Indicator	DJI Pilot app	Flight Instructions
Low battery level warning	The battery power is low. Please land the aircraft.	Aircraft status indicator blinks RED slowly.	Tap "Go-home" to have the aircraft return to the Home point and land automatically, or "Cancel" to resume normal flight. If no action is taken, the aircraft will automatically go home and land after 10 seconds. Remote controller will sound an alarm.	Fly the aircraft back and land it as soon as possible, then stop the motors and replace the battery.
Critical Low battery level warning	The aircraft must land immediately.	Aircraft status indicator blinks RED quickly.	The DJI Pilot app screen will flash red and aircraft starts to descend. Remote controller will sound an alarm.	The aircraft will begin to descend and land automatically.
Estimated remaining flight time	Estimated remaining flight based on current battery level.	N/A	N/A	N/A

- When the critical battery level warning activates and the aircraft is descending to land automatically, you may push the throttle upward to hover the aircraft and navigate it to a more appropriate location for landing.
- Color zones and markers on the battery level indicator reflect estimated remaining flight time and are adjusted automatically, according to the aircraft's current status.

## Failsafe RTH

Failsafe RTH is activated automatically if remote controller signal (including video relay signal) is lost for more than 3 seconds provided that Home Point has been successfully recorded and compass is working normally. Return home process may be interrupted and the operator can regain control over the aircraft if a remote controller signal is resumed.

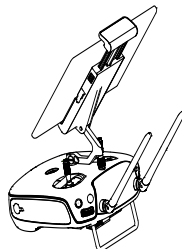
### Failsafe Illustration



- ⚠ Aircraft cannot avoid obstruction during the Failsafe RTH, therefore it is important to set an suitable Failsafe altitude before each flight. Launch the DJI Pilot app and enter "Camera" view and select "MODE" to set the Failsafe altitude. Aircraft will stop ascending and return to the Home Point immediately if throttle stick is moved during the Failsafe RTH procedure

## Dynamic Home Point

Dynamic home point is useful in situations when you are in motion and require a Home Point that is different from the takeoff point. You may only use the Dynamic Home Point feature on the GPS-enabled mobile device.



- ⚠ Ensure the space above the GPS module is not obstructed when using Dynamic Home Point.