




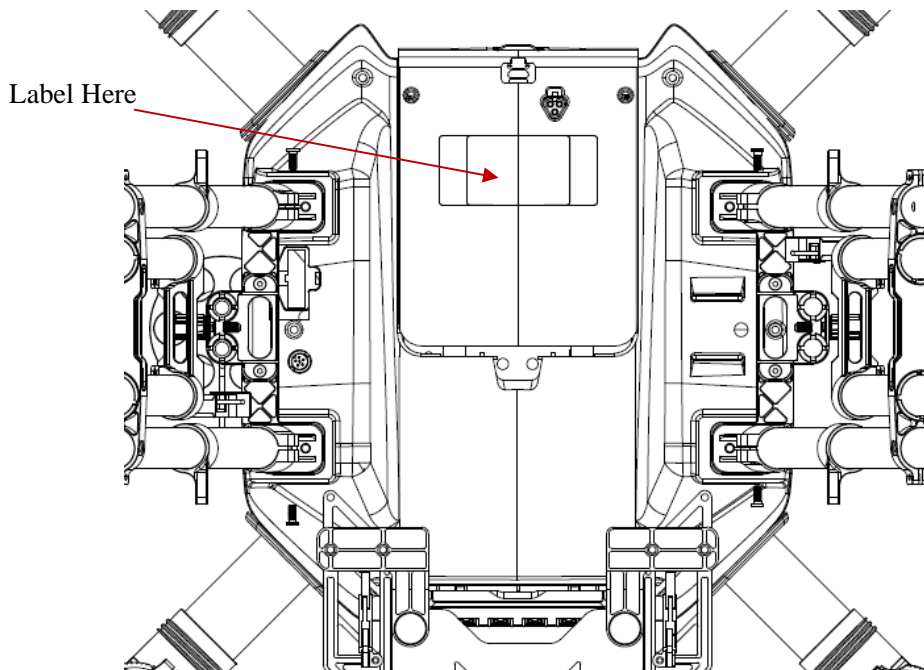


EXHIBIT A - FCC ID LABELING AND LOCATION

FCC ID Label

	WIND-4	Model : WIN 4
Diagonal Wheelbase: 1050mm	WARNING: Hazardous moving parts keep fingers and other body parts away	
Weight (with one battery): 11.0kg		
Max Takeoff Weight: 24.5kg		
Input: 43.2-52.2V		
FCC ID:SS3-WIN81803		 018-170319
SZ DJI TECHNOLOGY CO., LTD MADE IN CHINA		RoHS 
Address:14th floor,West Wing,Skyworth Semiconductor Design Building No.18 Gaoxin South 4th Ave,Nanshan,Shenzhen,Guangdong,China		

Proposed FCC ID Label Location



The label shown shall be permanently affixed at a conspicuous location on the device and be readily visible to the user at the time purchase (Labeling requirements per 2.925).