

SZ DJI TECHNOLOGY CO., LTD

Product Name: AGRAS T60, AGRAS T25P **Model(s):** 3WWDZ-50A, 3WWDZ-20C

FCC ID: SS3-T60A2404 IC:
11805A-T60A2404 JRL: 007-
AN0088

There are 2 Radar (Forward Phased Array Radar and Rear Phased Array Radar) installed in the AGRAS T60 and AGRAS T25P, both of them has been verified via:

Forward Phased Array Radar:

FCC ID: SS3-RD241608RF2

IC:1805A-RD241608RF2

Rear Phased Array Radar:

FCC ID:SS3-RD241608RB2

IC: 11805A-RD241608RB2

Model difference

3WWDZ-50A, 3WWDZ-20C have the same technical construction including circuit diagram, PCB Layout, components and component layout, all electrical construction and mechanical. The difference lies only the model name, battery capacity and motor. For details, please refer to external photo and internal photo

However, the difference do not affect the radio/wireless function.

1. Describe the non-RF boards, and circuitry differences.

No differences.

2. Describe the RF boards and circuitry differences.

No differences.

3. Describe the exterior casing and color differences.

Battery, structural dimensions of the drone, motor size

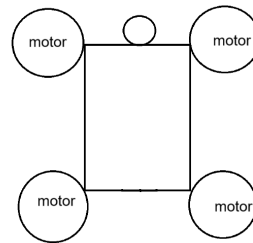
Batter information:

AGRAS T25P 3WWDZ-20C	AGRAS T60 3WWDZ-50A
Nominal voltage: 52.22V Rated Capacity: 15500mAh Rated Energy: 809.4 Wh Max Charge Voltage:59.92V	Nominal voltage: 52.22V Rated Capacity: 40000mAh Rated Energy: 2088.8 Wh Max Charge Voltage:59.92V

structural dimensions of the drone please refer to page 2

motor size:

AGRAS T25P 3WWDZ-20C	AGRAS T60 3WWDZ-50A
15.5 cm x 14.5 cm	16.5 cm x 19.5 cm



4. If no differences, provide the reason(s) for obtaining multiple PMN(s)/HVIN(s)/FVIN(s). **N/A**

5. If family contains multiple versions for marketing purposes, detail the marketing detail differences such as names of distribution chains, packaging information, labeling information, etc.

Difference HVINs will show on the label.

6. If submitting multiple versions for future intro on market, provide future market launch plans and why not postponing certification of product versions not ready for market.

Not Applicable.

7. If chosen PMN or HVIN are already on the market in other countries but the devices are not identical to what is provided in the Canadian application, provide justification.

Not Applicable.

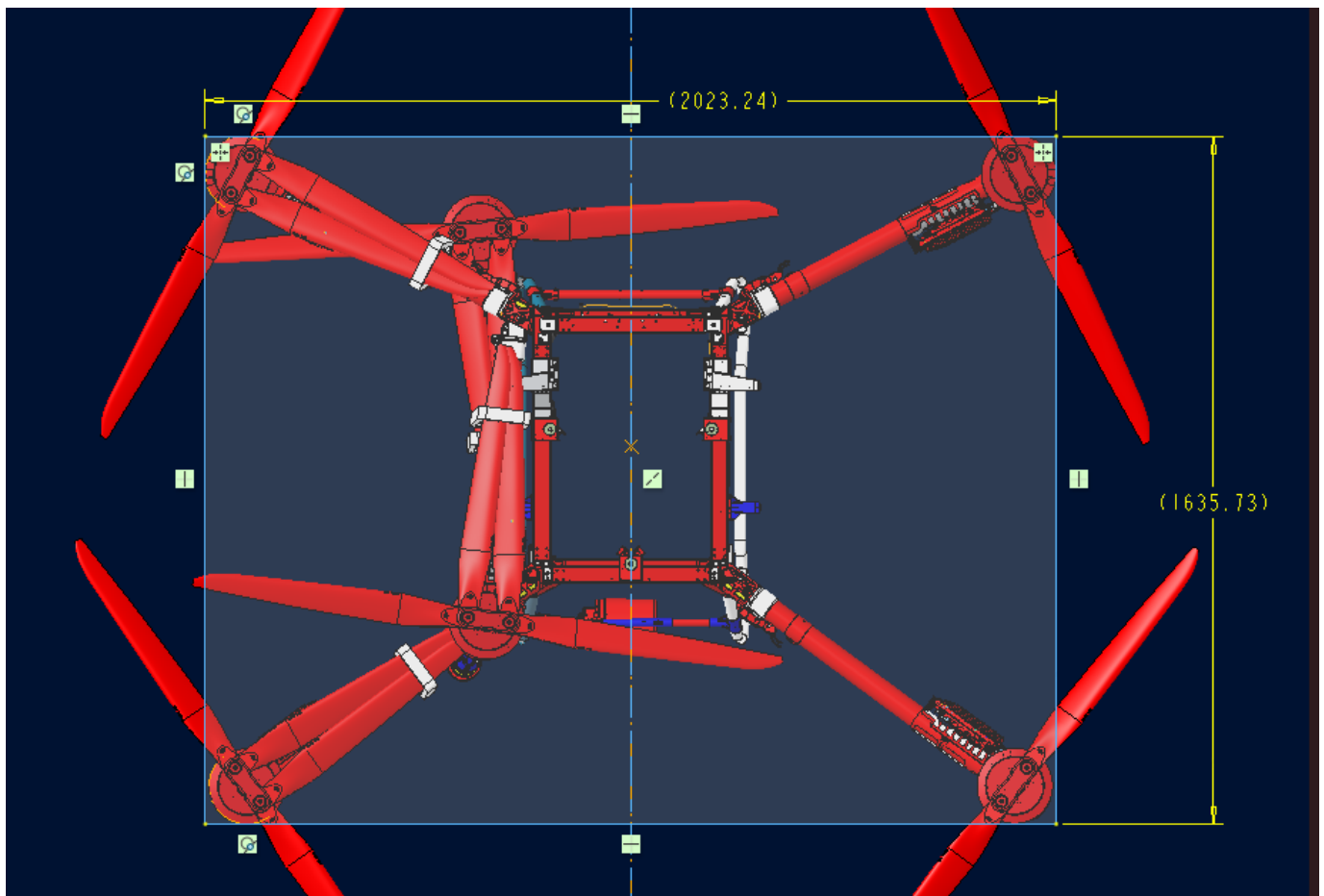
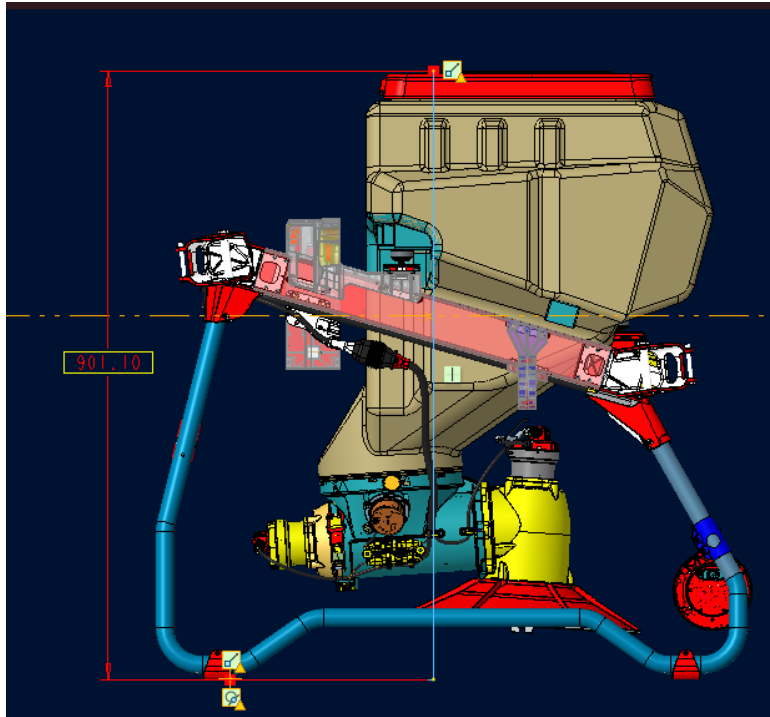
8. Provide internal & external photos for each product version.

please refer to internal & external photos for each product version.

9. Provide manual and product labels for each product version.

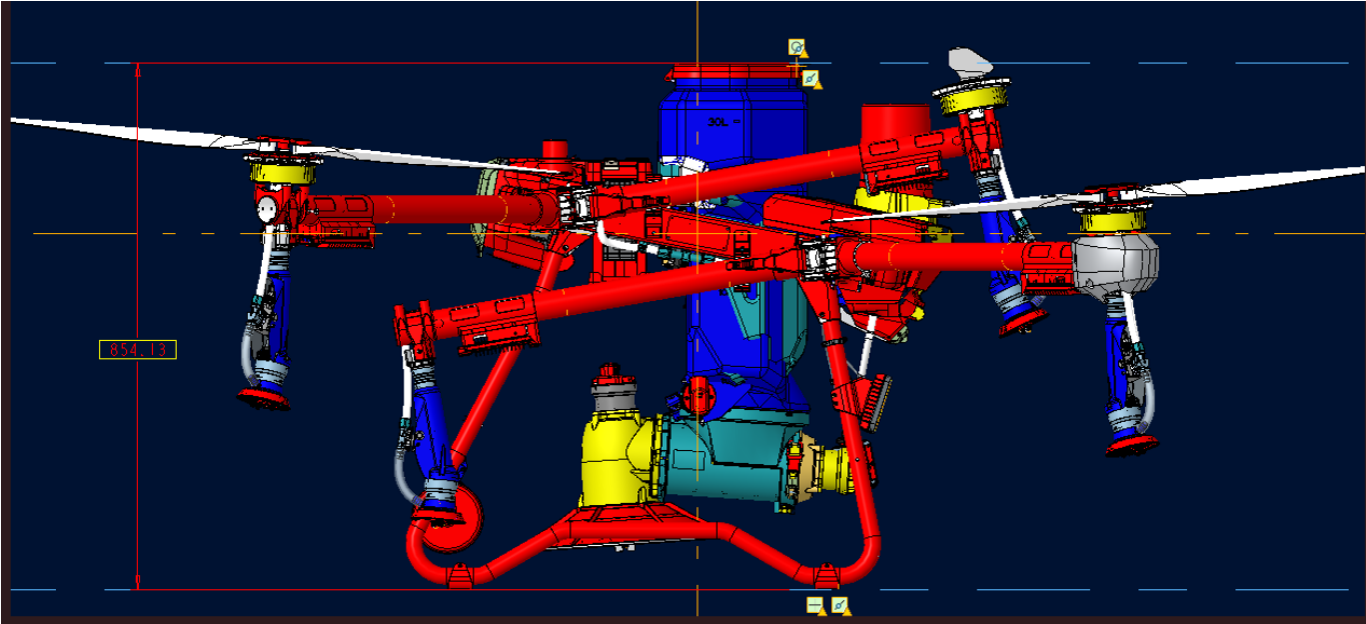
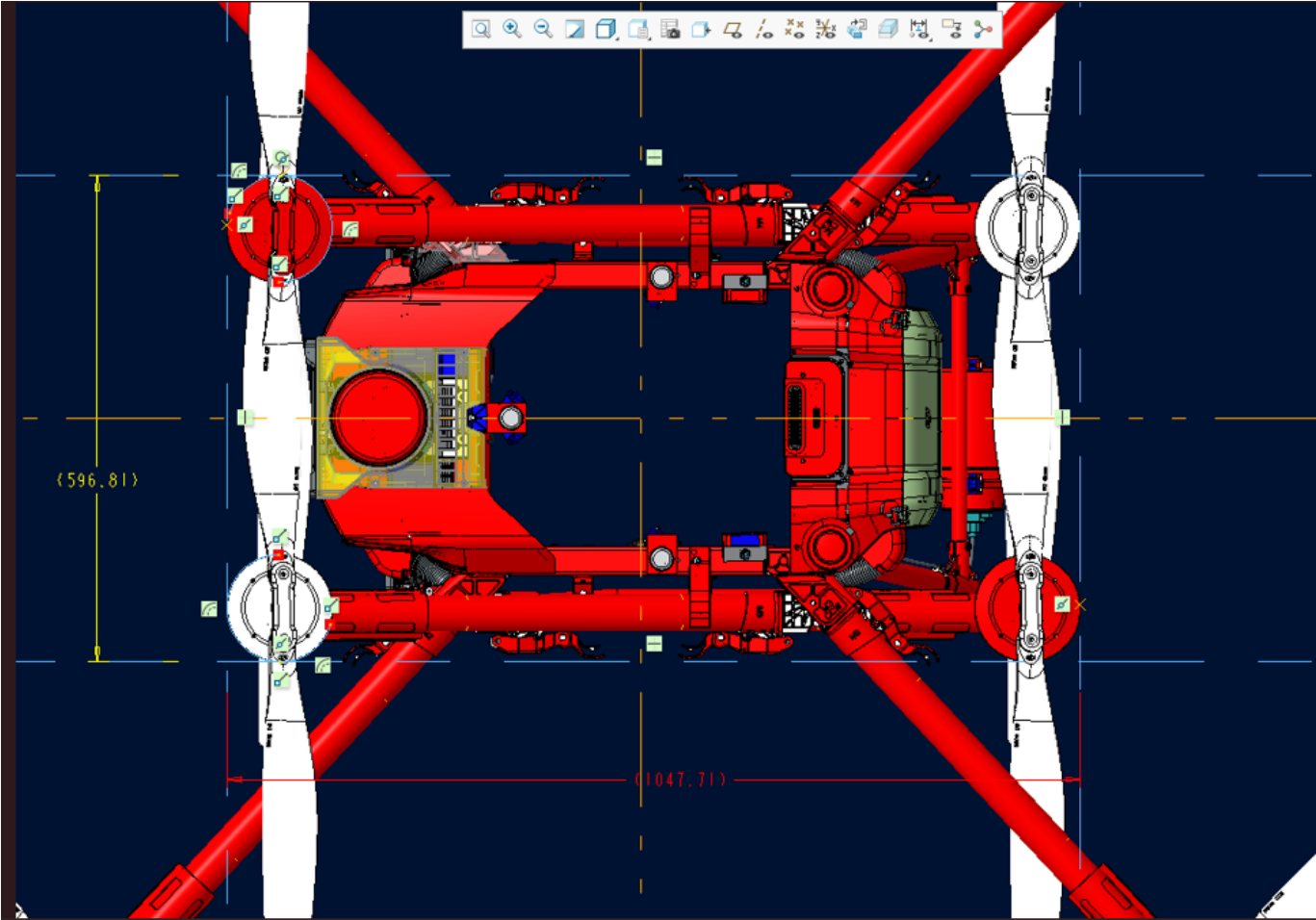
please refer to manual and product labels for each product version.

product name: AGRAS T60
model name:3WWDZ-50A



product name:AGRAS T25P

model name: 3WWDZ-20C



Yours sincerely,

A handwritten signature in black ink that reads "Gary Zeng". The signature is written in a cursive, slightly slanted style.

Name: Gary Zeng

Date: 2024/7/12

Title and Company name: SZ DJI TECHNOLOGY CO., LTD