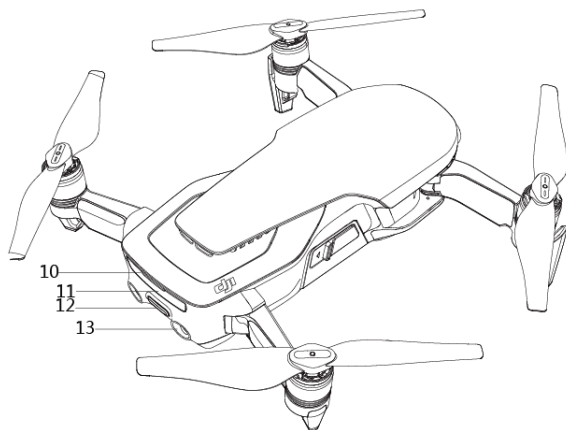
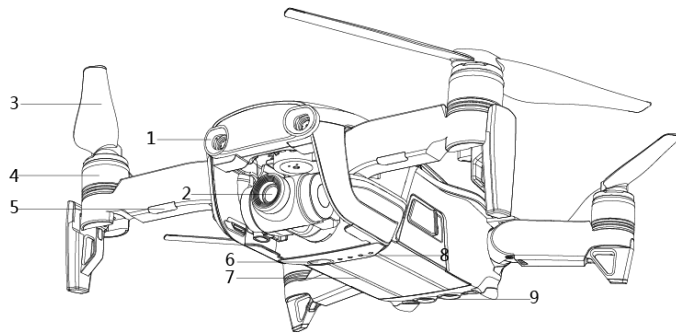


# WM230 Quick Start Guide

V1.0 2017.11

## Aircraft

The WM230 featuring a fully stabilized camera, Intelligent Flight Modes and Obstacle Avoidance inside an upgraded revolutionary folding design. It captures 4K videos and 12 megapixel photos, and is capable of both ActiveTrack™ and TapFly™ making complex shots effortless. WM230 boasts a maximum flight speed of 42.5 mph (68.4 kph) and a maximum flight time of 22 minutes.



1. Forward Vision System
2. Gimbal and Camera
3. Propellers
4. Motors
5. Front LEDs

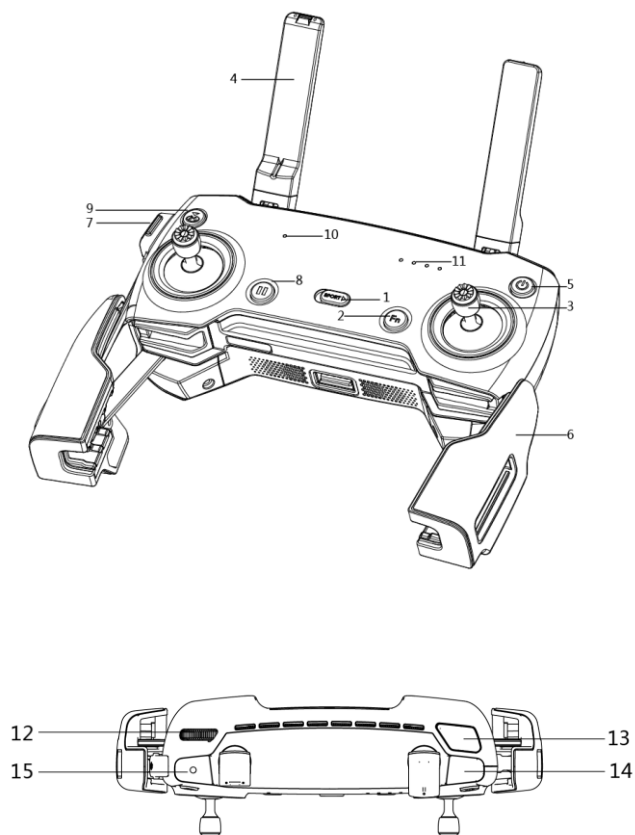
6. USB Type-C Port
7. Downward Vision System
8. Backward Vision System
9. Antennas
10. Camera Micro SD Card Slot
11. Aircraft Status Indicator
12. Intelligent Flight Battery
13. Power Button
14. Battery Level LEDs

\*\* Maximum flight time was tested in 0 wind at a consistent 15.5 mph (25 kph). This value should be taken for reference only.

\*\* The Forward and Backward Vision Systems are affected by surrounding conditions. Read the Disclaimer and Safety Guidelines and watch the tutorial in the DJI GO™ 4 app or on the Official DJI website to learn more.

## Remote Controller

The Remote Controller offers a maximum transmission range of 2.49 mi (4 km). Video from the aircraft to the DJI GO 4 app on your mobile device at up to 1080p at close range, and 720p at longer ranges. The WM230 can also be flown by phone only.



1. Flight Mode Switch
2. Function Button
3. Control Sticks
4. Antennas

5. Power Button
6. Mobile Device Clamp
7. Charging Port (USB Type-C)
8. Flight Pause Button
9. RTH Button
10. Status LED
11. Battery Level LEDs
12. Gimbal Dial
13. Customizable Button
14. Record Button
15. Shutter Button

The remote controller is able to reach its maximum transmission distance (FCC) in a wide open area with no Electro-Magnetic Interference, and at an altitude of about 400 feet (120 meters).

## Specifications

- Aircraft (Model: U11X)

Weight	430 g
Max Speed	42.5 mph (68.4 kph) in Sport Mode without wind
Max Flight Time	22 minutes (0 wind at a consistent 15.5 mph (25 kph))
Operating Temperature	32° to 104° F (0° to 40° C)
Satellite Positioning Systems	GPS+GLONASS
Operating Frequency	2.4-2.4835 GHz; 5.725-5.850 GHz*
Transmitter Power (EIRP)	2.4G: 28 dBm (FCC), 18 dBm (CE), 18 dBm (SRRC) 5.8G: 32 dBm (FCC), 13 dBm (CE), 30 dBm (SRRC)

- Gimbal

Controllable Range	Pitch: -90° to +0° (Default settings), -90° to +22° (Customized)
--------------------	--

- Camera

Sensor	CMOS
Max Image Size	4000×3000
Still Photography Modes	Single shot, Burst shooting
Video Recording Modes	3840×2160
Video Storage Bitrate	100 Mbps
Video	MP4
Supported SD Cards	microSD

- Remote Controller (Model: S01A)

Dimensions	144x78x62 mm
Operating Frequency	2.4-2.4835 GHz; 5.725-5.850 GHz*
Max Transmission Distance	2.4G FCC: 2.5 mi (4 km); CE/SRRC: 0.6 mi (1 km) 5G FCC: 2.5 mi (4 km); CE: 0.4 mi (0.6 km); SRRC: 0.6 mi (1 km) Unobstructed and free of interference.
Operating Temperature	32° to 104° F (0° to 40° C)
Battery	2970 mAh

Transmitter Power (avg. EIRP)	2.4G: 26 dBm (FCC), 18.87 dBm (CE), 18 dBm (SRRC) 5.8G: 30 dBm (FCC), 13.52 dBm (CE), 26 dBm (SRRC)
Operating Voltage	1000 mA @ 3.7 V
Supported Mobile Device Size	Thickness supported: 6.5 - 8.5 mm, Max length: 160 mm
Supported USB port types	Lightning, Micro USB (Type-B), USB Type-C™
● Charger	
Voltage	13.2 V
Rated Power	50 W
● Intelligent Flight Battery	
Capacity	2375 mAh
Voltage	11.55 V, Max 13.2 V
Battery Type	LiCoO2
Energy	27.43 Wh
Net Weight	Approx. 0.3 lbs (140 g)
Charging Temperature Range	41° to 104° F (5° to 40° C)
Max Charging Power	60 W

\*To comply with local regulations, the operation frequency of 5.8GHz is not available in some countries.

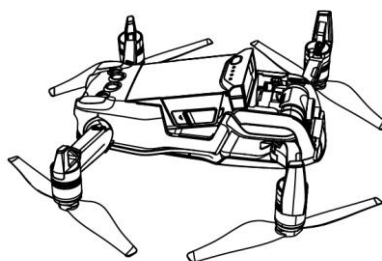
## Download the DJI GO 4 App and Watch the Tutorial Videos

Search for 'DJI GO 4' on the App Store or Google Play, or scan the QR code to download the app on your mobile device. Watch the tutorial videos at [www.dji.com](http://www.dji.com) or in the DJI GO 4 App.



## Charge the Batteries

Remove Intelligent Flight Battery



## Charge the batteries

1. Connect the charger to power outlet
2. Connect the charger to Intelligent Flight Battery
3. Connect the Remote controller to the charger

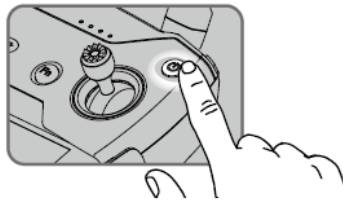
## Check the Battery Levels

Low ● Battery Level → High



Press once to check the battery level. Press once, then again and hold to turn on/off.

### Checking Battery Level

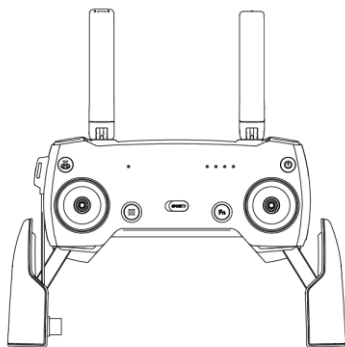


Low ● → High

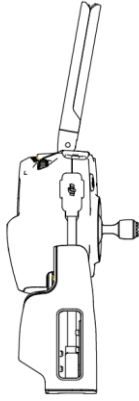


Press the Power button once to check the current battery level. Press once, then again and hold to turn on/off the remote controller.

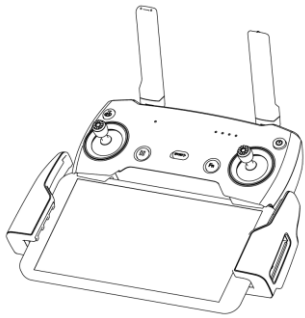
## Prepare the Remote Controller



Unfold the antennas and the mobile device clamp



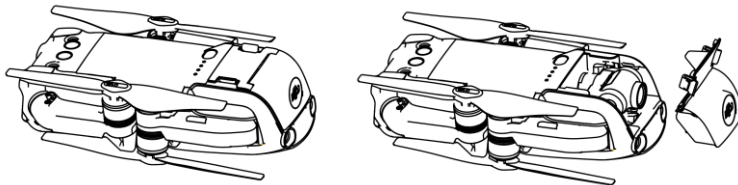
Place one end of the RC cable to the end of the slot



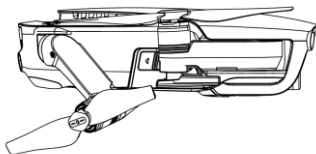
Attach mobile device

## Prepare the Aircraft

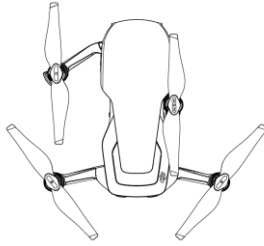
1. Remove the gimbal clamp from the camera



2. Unfold the rear arms



3. Unfold the front arms



4. Unfold the landing gear

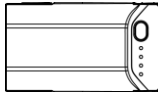


## Prepare for Takeoff

1. Power on the remote controller



2. Power on the aircraft



3. Launch the DJI GO 4 App



Use your DJI account to activate the aircraft. Activation requires an internet connection.

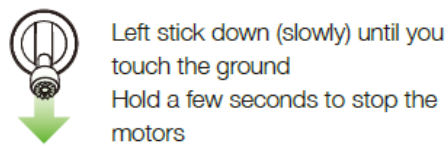
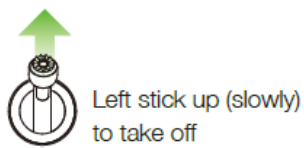
# Flight

- **Takeoff/Landing**

Before taking off, make sure the Aircraft Status Bar in the DJI GO 4 app displays 'Ready to Go'

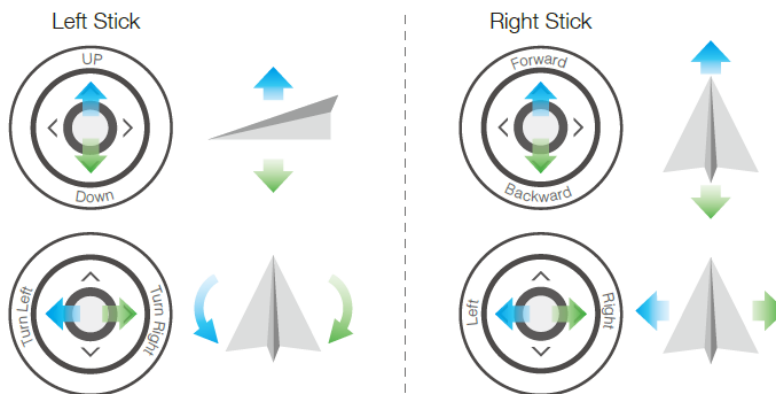
**Ready to Go (GPS)**

Combination stick command to start/stop the motors



- **Remote Controller Operation**

The default flight control is known as Mode 2. The left stick controls the aircraft's altitude and heading, while the right stick controls its forward, backward, left and right movements. The gimbal dial controls the camera's tilt.





- **Controlling flight with Virtual Joysticks on your mobile device via Wi-Fi**

1. Toggle the Control Mode Switch to turn on Wi-Fi
2. Power on the aircraft
3. Launch the DJI GO 4 app and tap the icon on the top right of your screen, then scan the Wi-Fi QR Code on the front arm to start connection
4. Tap Auto Takeoff
5. Fly the aircraft with touch control

- **In the DJI GO 4 App**



Auto Takeoff



Auto Landing



Return-to-Home (RTH)



ActiveTrack



TapFly



Normal

## Fly Safe



Fly in Open Areas

+



Strong GPS Signal

+



Maintain Line of Sight

+



Fly Below 400 feet (120 m)



Avoid flying over or near obstacles, crowds, high voltage power lines, trees or bodies of water.

DO NOT fly near strong electromagnetic sources such as power lines and base stations as it may affect the onboard compass.



DO NOT use the aircraft in adverse weather conditions such as rain, snow, fog and wind speeds exceeding 10 m/s or 22 mph.



Stay away from the rotating propellers and motors.



No Fly Zone

Learn more at:  
<http://fysafe.dji.com/no-fly>



It's important to understand basic flight guidelines, for the safety of both you and those around you. Don't forget to read the *Disclaimer and Safety Guidelines*.

# Compliance Information

## FCC Compliance Notice

This device complies with Part 15 of the FCC Rules. Operation is subject to the following two conditions: (1) This device may not cause harmful interference, and (2) This device must accept any interference received, including interference that may cause undesired operation.

Any changes or modifications not expressly approved by the party responsible for compliance could void the user's authority to operate the equipment.

This equipment has been tested and found to comply with the limits for a Class B digital device, pursuant to part 15 of the FCC Rules. These limits are designed to provide reasonable protection against harmful interference in a residential installation. This equipment generates, uses and can radiate radio frequency energy and, if not installed and used in accordance with the instructions, may cause harmful interference to radio communications. However, there is no guarantee that interference will not occur in a particular installation. If this equipment does cause harmful interference to radio or television reception, which can be determined by turning the equipment off and on, the user is encouraged to try to correct the interference by one or more of the following measures:

- Reorient or relocate the receiving antenna.
- Increase the separation between the equipment and receiver.
- Connect the equipment into an outlet on a circuit different from that to which the receiver is connected.
- Consult the dealer or an experienced radio/TV technician for help.

## RF Exposure Information

The Aircraft and Remote controller complies with FCC radiation exposure limits set forth for an uncontrolled environment. In order to avoid the possibility of exceeding the FCC radio frequency exposure limits, human body proximity to the Aircraft antenna shall not be less than 20cm during normal operation.

## RSS Warning

This device complies with ISED licence-exempt RSS standard (s). Operation is subject to the following two conditions: (1) this device may not cause interference, and (2) this device must accept any interference, including interference that may cause undesired operation of the device. Le présent appareil est conforme aux CNR d'Industrie Canada applicables aux appareils radio exempts de licence.

L'exploitation est autorisée aux deux conditions suivantes:

- (1) l'appareil ne doit pas produire de brouillage, et
- (2) l'utilisateur de l'appareil doit accepter tout brouillage radioélectrique subi, même si le brouillage est susceptible d'en compromettre le fonctionnement.

Radiation Exposure Statement:

The Aircraft and Remote Controller complies with RF radiation exposure limits set forth for an uncontrolled environment. This transmitter must not be co-located or operating in conjunction with any other antenna or transmitter.

The Aircraft should be installed and operated with minimum distance 20cm between the radiator& your body.

Any Changes or modifications not expressly approved by the party responsible for compliance could void the user's authority to operate the equipment.

For Remote controller, SAR tests are conducted using standard operating positions accepted by the FCC/ISED with the device transmitting at its highest certified power level in all tested frequency bands, although the SAR is determined at the highest certified power level, the actual SAR level of the device while operating can be well below the maximum value.

Before a new model device is available for sale to the public, it must be tested and certified to the FCC that it does not exceed the exposure limit established by the FCC/ISED, Tests for each device are performed in positions and locations (e.g. at the ear and worn on the body) as required by the FCC/ISED.

For body worn operation, this model device has been tested and meets the FCC/ISED RF exposure guidelines when used with an accessory designated for this product or when used with an accessory that Contains no metal and that positions the handset a minimum of 10 mm from the body.

Non-compliance with the above restrictions may result in violation of RF exposure guidelines.

#### **KCC Warning Message**

“해당무선설비는 운용 중 전파혼신 가능성이 있으므로 인명안전과 관련된 서비스는 할 수 없습니다.”

“해당 무선설비는 운용 중 전파혼신 가능성이 있음”

#### **NCC Warning Message**

低功率電波輻射性電機管理辦法

第十二條 經型式認證合格之低功率射頻電機，非經許可，公司、商號或使用者均不得擅自變更頻率、加大功率或變更原設計之特性及功能。

第十四條 低功率射頻電機之使用不得影響飛航安全及干擾合法通信；經發現有干擾現象時，應改善至無干擾時方得繼續使用。前項合法通信，指依電信法規定作業之無線電通信。低功率射頻電機須忍受合法通信或工業、科學及醫療用電波輻射性電機設備之干擾。

**EU Compliance Statement:** SZ DJI TECHNOLOGY CO., LTD. hereby declares that this device is in compliance with the essential requirements and other relevant provisions of the Directive 2014/53/EU.

A copy of the EU Declaration of Conformity is available online at [www.dji.com/euro-compliance](http://www.dji.com/euro-compliance)

EU contact address: DJI GmbH, Industriestrasse. 12, 97618, Niederlauer, Germany

**Declaración de cumplimiento UE:** SZ DJI TECHNOLOGY CO., LTD. por la presente declara que este dispositivo cumple los requisitos básicos y el resto de provisiones relevantes de la Directiva 2014/53/EU.

Hay disponible online una copia de la Declaración de conformidad UE en [www.dji.com/euro-compliance](http://www.dji.com/euro-compliance)

Dirección de contacto de la UE: DJI GmbH, Industriestrasse. 12, 97618, Niederlauer, Germany

**EU-verklaring van overeenstemming:** SZ DJI TECHNOLOGY CO., LTD. verklaart hierbij dat dit apparaat voldoet aan de essentiële vereisten en andere relevante bepalingen van Richtlijn 2014/53/EU.

De EU-verklaring van overeenstemming is online beschikbaar op [www.dji.com/euro-compliance](http://www.dji.com/euro-compliance)

Contactadres EU: DJI GmbH, Industriestrasse. 12, 97618, Niederlauer, Germany

**Declaração de conformidade da UE:** A SZ DJI TECHNOLOGY CO., LTD. declara, através deste documento, que este dispositivo está em conformidade com os requisitos essenciais e outras disposições relevantes da Diretiva 2014/53/EU.

Existe uma cópia da Declaração de conformidade da UE disponível online em [www.dji.com/euro-compliance](http://www.dji.com/euro-compliance)

Endereço de contacto na UE: DJI GmbH, Industriestrasse. 12, 97618, Niederlauer, Germany

**Dichiarazione di conformità UE:** SZ DJI TECHNOLOGY CO., LTD. dichiara che il presente dispositivo è conforme ai requisiti essenziali e alle altre disposizioni rilevanti della direttiva 2014/53/EU.

Una copia della dichiarazione di conformità UE è disponibile online all'indirizzo Web [www.dji.com/euro-compliance](http://www.dji.com/euro-compliance)

Indirizzo di contatto UE: DJI GmbH, Industriestrasse. 12, 97618, Niederlauer, Germany

**Déclaration de conformité UE :** Par la présente, SZ DJI TECHNOLOGY CO., LTD déclare que cet appareil est conforme aux principales exigences et autres clauses pertinentes de la directive européenne 2014/53/EU.



Une copie de la déclaration de conformité UE est disponible sur le site [www.dji.com/euro-compliance](http://www.dji.com/euro-compliance)

Adresse de contact pour l'UE : DJI GmbH, Industriestrasse. 12, 97618, Niederlauer, Germany

**EU-Compliance:** Hiermit erklärt SZ DJI TECHNOLOGY CO., LTD., dass dieses Gerät den wesentlichen Anforderungen und anderen einschlägigen Bestimmungen der EU-Richtlinie 2014/53/EU entspricht.

Eine Kopie der EU-Konformitätserklärung finden Sie online auf [www.dji.com/euro-compliance](http://www.dji.com/euro-compliance).

Kontaktadresse innerhalb der EU: DJI GmbH, Industriestrasse. 12, 97618, Niederlauer, Germany

**CAUTION: RISK OF EXPLOSION IF BATTERY IS REPLACED BY AN INCORRECT TYPE. DISPOSE OF USED BATTERIES ACCORDING TO THE INSTRUCTIONS**

Environmentally friendly disposal



Old electrical appliances must not be disposed of together with the residual waste, but have to be disposed of separately. The disposal at the communal collecting point via private persons is for free. The owner of old appliances is responsible to bring the appliances to these collecting points or to similar collection points. With this little personal effort, you contribute to recycle valuable raw materials and the treatment of toxic substances.

#### Thailand Warning message

เครื่องโทรคมนาคมและอุปกรณ์นี้ มีความสอดคล้องตามข้อกำหนดของ กทช.

**Mexico Warning message**

“La operación de este equipo está sujeta a las siguientes dos condiciones: (1) es posible que este equipo o dispositivo no cause interferencia perjudicial y (2) este equipo o dispositivo debe aceptar cualquier interferencia, incluyendo la que pueda causar su operación no deseada.”

**Brazil Warning message**

Este equipamento opera em caráter secundário, isto é, não tem direito a proteção contra interferência prejudicial, mesmo de estações do mesmo tipo, e não pode causar interferência a sistemas operando em caráter primário