

DJI Relay Antenna Datasheet



目录

1 Basic Specifications	3
2 Gain & Efficiency	4
3 radiation pattern	4
4 Structure drawing.....	5
5 manufacturer	5

Revision history

Version	Change notes	Modifier	Date
V1.0		Alaan.he	



1 Basic Specifications

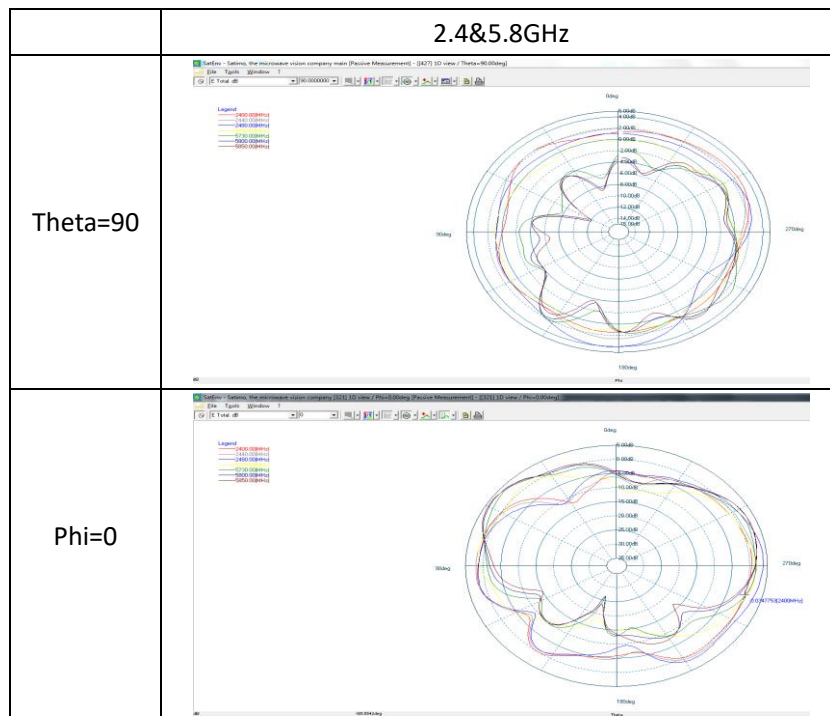
No.	Specification	Descriptions	Notes	
1	Antenna Name	SRD Antenna		
2	Brand	DJI		
3	Operation Frequency	2.4~2.485GHz; 5.725~5.875GHz		
4	Connector Type	sma		
5	Impedance	50ohm		
6	Gain	3.5dBi@2.4~2.483GHz 4.5dBi@5.725~5.875GHz		
7	Efficiency	$\geq 65\%$		
8	VSWR	≤ 2		
9	Polarization type	Linear		
10	3dB Beamwidth	Omnidirectional horizon		
11	Weight			
12	Type	Dipole Antenna		

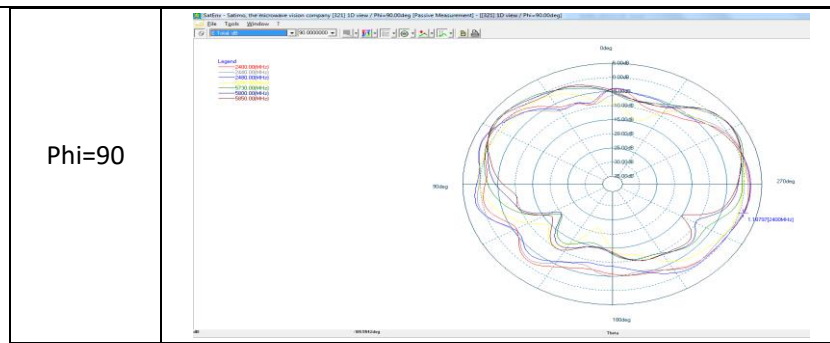


2 Gain & Efficiency

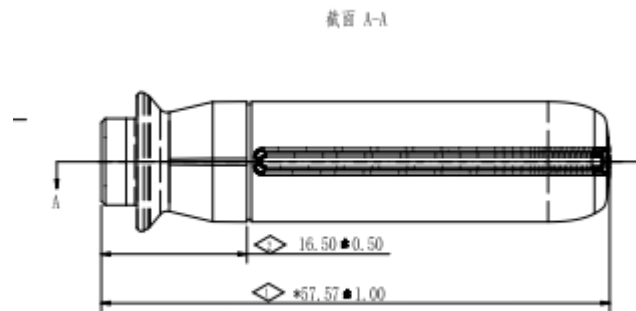
Frequency	Efficiency (%)	E Total. dB (dB)
2400MHz	33%	2.7349
2440MHz	40%	3.50101
2480MHz	39%	3.45536
2500MHz	39%	3.25102
2550MHz	34%	2.33345
2600MHz	22%	-0.04410
5700MHz	43%	4.52577
5750MHz	54%	4.51972
5800MHz	59%	4.25223
5850MHz	59%	4.50839

3 radiation pattern





4 Structure drawing



5 manufacturer

Shenzhen Zhongtian Xuntong Technology Co., Ltd.

Address: No. 34, Shilong Road, Baoan District, Shenzhen City, Guangdong Province

Note: This antenna is used by DJI only, manufacturer will not sale to other client and will keep it confidential, so it will not be published on the manufacturer's website