

SZ DJI TECHNOLOGY CO., LTD

Federal Communications Commission

7435 Oakland Mills Road

Columbia MD 21046

Attn: OET Dept.

Ref: FCC Class II Permissive Change for FCC ID: SS3-RC2311911

(Original Grant date: 04/09/2020)

Applicant: SZ DJI TECHNOLOGY CO., LTD

Dear Examiner,

This is to request a Class II permissive change for FCC ID: SS3-RC2311911

Product Description: C5

originally granted on 04/09/2020

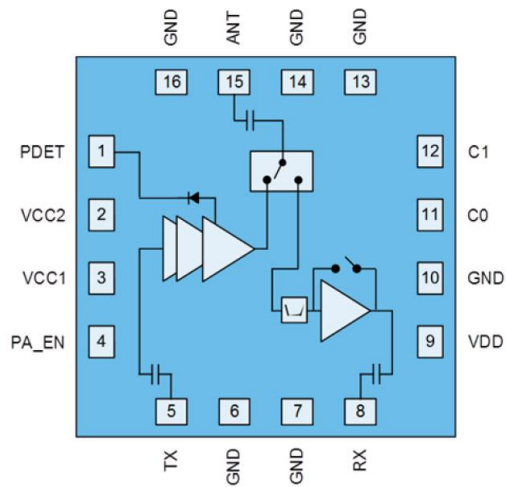
FEM material has changed, with the following changes in the surrounding circuit components and no other changes.

Change Type	Original	New
FEM chip replaced(U136)	QPF4206	KCT8247HE-1 (See Note)
FEM chip replaced(U137)	QPF4550	KCT8576N (See Note)
Replaced C54910	NC201YAGEO (10 pF)	LQP03TG1N0B02 (1.0 nH)
Replaced C542	201YAGEO (0.5 pF)	10pF_NC201YAGEO (10 pF)
Added: C547; C54911; C54912.	/	GRM0335C1H1R0BA01D (1.0pF)
FVIN	/	N1C_01.00.00.00

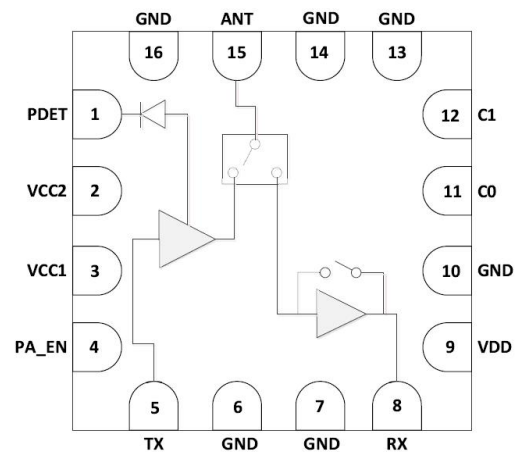
Note: 1) The new chip component is pin-for-pin compatible; 2) The new chip has the same basic function as the old chip; 3) No change in radio parameters has occurred; 4) The same conditions apply when a small area (approximately the same area as the chip) of the PCB is replaced with an equivalent chip.

SZ DJI TECHNOLOGY CO., LTD

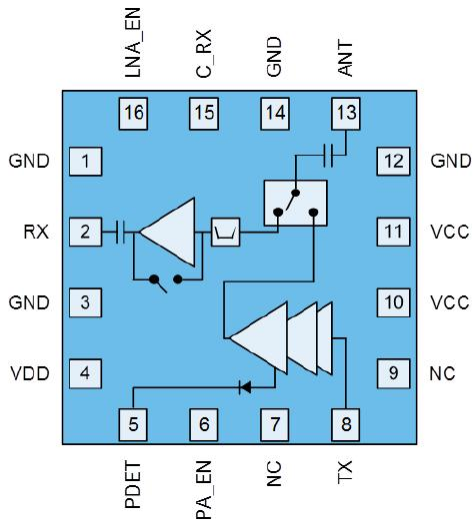
QPF4206 Chip pins:



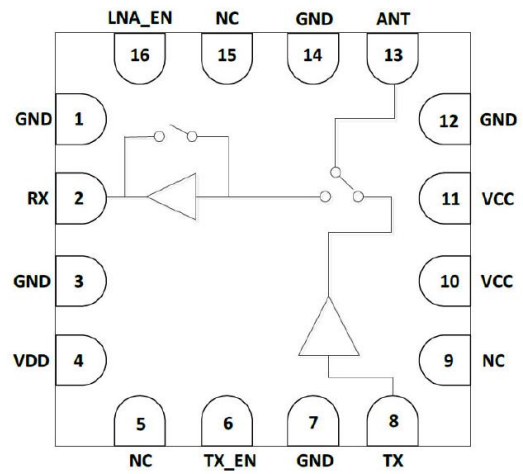
KCT8247HE-1 Chip pins:



QPF4550 Chip pins:



KCT8576N Chip pins:



SZ DJI TECHNOLOGY CO., LTD

Also, please note the following with respect to this application:

- The RC231 already applied for FCC and the certification number is SS3-RC2311911. We only performed the Conducted Output Power, Power Spectral Density, Radiated Band edge and Spurious Emission spot check in the report. For more information, please refer to the original report SZEM191202106602.
- SAR evaluation has been conducted.

If you have any questions regarding this application, please feel free to contact me.

Best Regards,

A handwritten signature in black ink that reads "Gary Zeng". The signature is written in a cursive, slightly slanted style.

(Signature*)

Company Name: SZ DJI TECHNOLOGY CO., LTD

Contact Name: Gary Zeng

Address: Lobby of T2, DJI Sky City, No 53 Xianyuan Road, Xili Community, Xili Street, Nanshan District, Shenzhen, China

Date: 4/28/2024