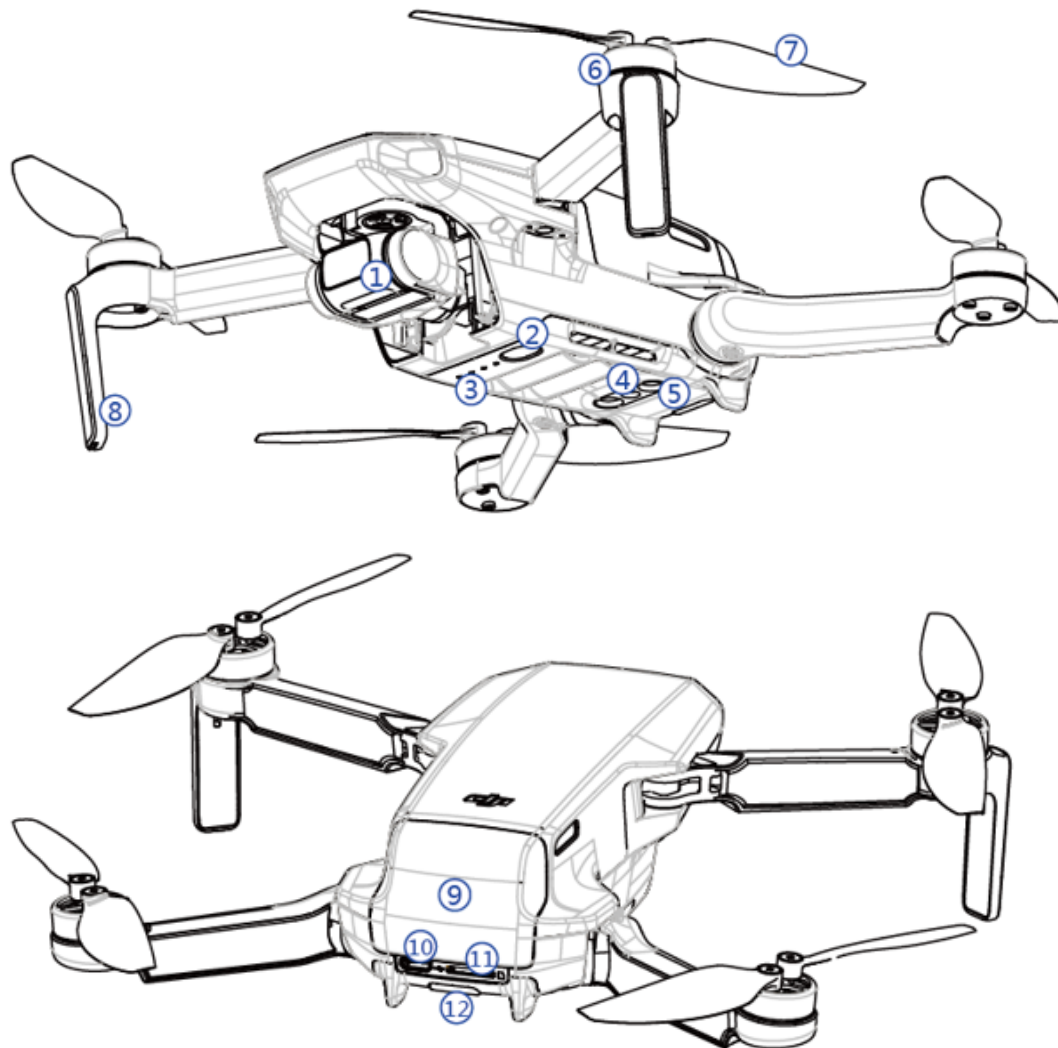


Camera Drone Quick Start Guide

V1.0 2020.07

Aircraft

DJIMini 2 features Obstacle Sensing and Infrared Sensing System*, and a fully stabilized 3-axis gimbal with a 1/2.3" CMOS sensor camera that shoots 4K video and 12-megapixel photos.

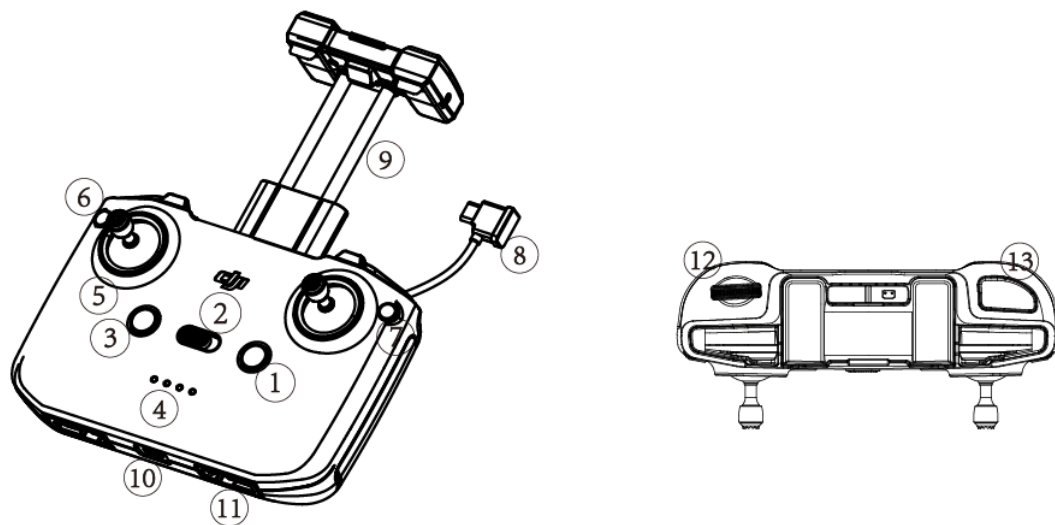


1. Gimbal and Camera
2. Power Button
3. Battery Level LEDs
4. Downward Vision System
5. Infrared Sensing System
6. Motors
7. Propellers

8. Antennas
9. Battery Cover
10. Charging/Upgrading Port (USB-C)
11. microSD Card Slot
12. Aircraft Status Indicator

Remote Controller

Built into the remote controller is DJI's long-range transmission technology OCUSYNC™ 2.0, offering a maximum transmission range of 5 mi (8 km) and displaying video from the aircraft to DJI Fly on your mobile device at up to 1080p.



1. Power Button
2. Flight Mode Switch
3. Flight Pause/RTH Button
4. Battery Level LEDs
5. Control Sticks
6. Customizable Button
7. Photo/Video Toggle
8. Remote Controller Cable
9. Mobile Device Holder
10. USB-C Port
11. Control Sticks Storage Slot
12. Gimbal Dial
13. Shoot/Record Button

Download the DJI Fly App and Watching Tutorial Videos

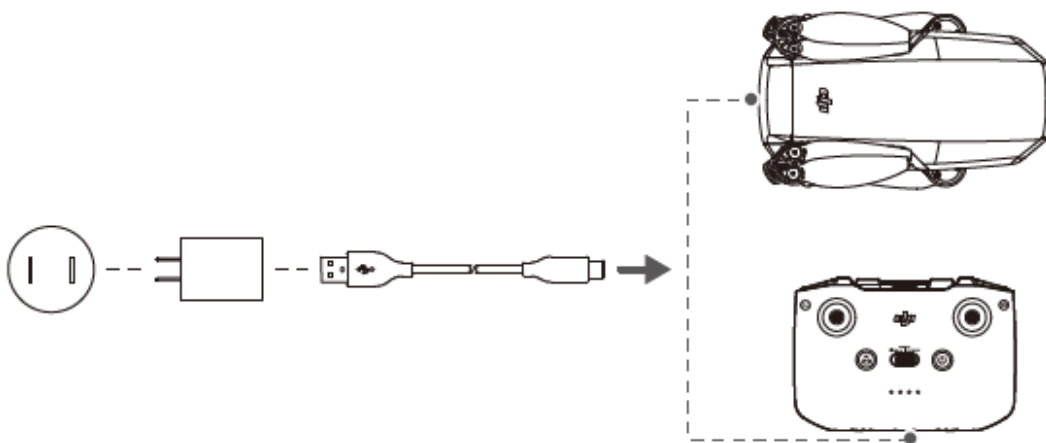
Search “DJI Fly” in the App Store or Google Play or scan the QR code below to download the app on your mobile device.



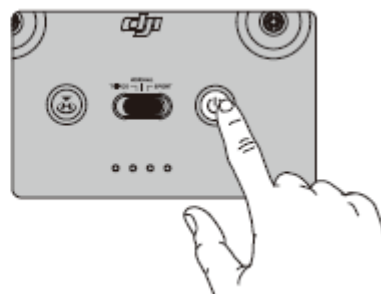
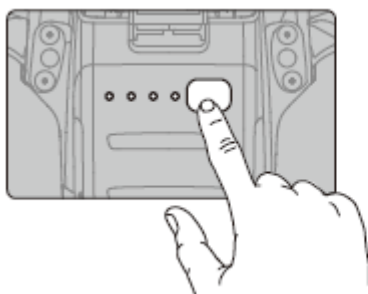
DJI Fly App



Charging the Batteries



Checking the Battery Levels and Powering On/Off



Low ← Battery Level → High

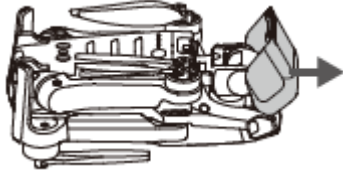


Press once to check the battery level.

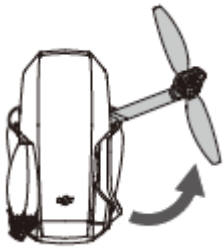
Press, then press and hold to turn on/off.

Preparing the Aircraft

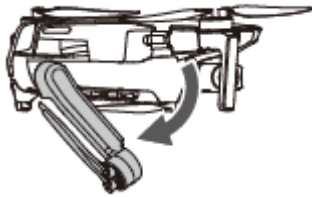
1. Remove the gimbal cover from the camera.



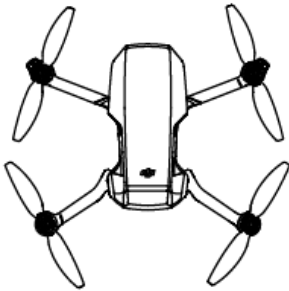
2. Unfold the front arms and the propellers.



3. Unfold the rear arms and the propellers.



4. Unfolded



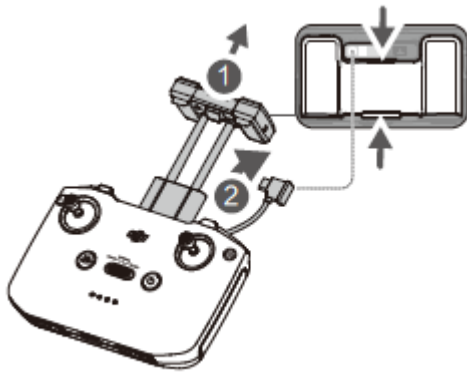
Unfold the front arms and the propellers before the rear ones. All arms and propellers must be unfolded before takeoff.

Preparing the Remote Controller

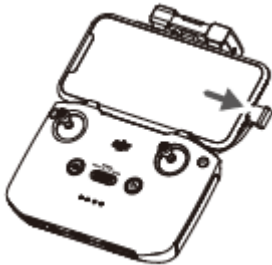
1. Attach the control sticks.



2. Pull out the mobile device holder, and then unplug the end with mobile phone mark of the RC cable.



3. Place the mobile device onto the mobile device holder, and plug the RC cable into the mobile device.



	<ul style="list-style-type: none"> • Ensure the control sticks are firmly mounted. • The remote controller cable with the Lightning connector is mounted by default. Use the appropriate cable for your mobile device to connect to the remote controller.
--	--

Preparing for Takeoff

1. Power on the remote controller



2. Power on the aircraft



3. Launch DJI Fly App



Flight

- Auto Takeoff / Landing



Auto Takeoff



Auto Landing

- Manual Takeoff / Landing

Combination stick command to start/stop the motors



OR

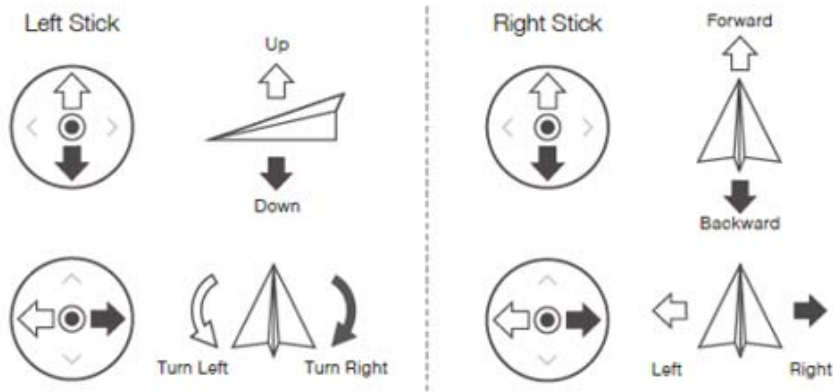


Left stick up (slowly) to take off



Left stick down (slowly) until you touch the ground
Hold a few seconds to stop the motors

- Remote Controller Operation



Specifications

- **Aircraft (Model:MT2PD)**

Weight	241 g
Max Flight Time	30 minutes (0 wind while flying at a consistent 15.5 mph (25 kph))
Operating Temperature	32° to 104°F (0° to 40°C)

- **Camera**

Sensor	1/2.3" CMOS; Effective pixels: 12M
Lens	FOV: 83° 35mm format equivalent: 24 mm Aperture: f/2.8 Focus: 1 m to ∞
ISO Range	100-3200
Electronic Shutter Speed	4-1/8000 s

- **Remote Controller**

Operating Voltage	1200mA @ 3.7V (Android) 700mA @ 3.7V (iOS)
-------------------	---

- **Intelligent Flight Battery**

Capacity	2250 mAh
Battery Type	LiPo 2S
Charging Temperature	41° to 113°F (5° to 45°C)
Max Charging Power	29 W

FCC Compliance Notice(For plane)

This device complies with Part 15 of the FCC Rules. Operation is subject to the following two conditions: (1) This device may not cause harmful interference, and (2) This device must accept any interference received, including interference that may cause undesired operation.

Any changes or modifications not expressly approved by the party responsible for compliance could void the user's authority to operate the equipment.

This equipment has been tested and found to comply with the limits for a Class B digital device, pursuant to part 15 of the FCC Rules. These limits are designed to provide reasonable protection against harmful interference in a residential installation. This equipment generates, uses and can radiate radio frequency energy and, if not installed and used in accordance with the instructions, may cause harmful interference to radio communications. However, there is no guarantee that interference will not occur in a particular installation. If this equipment does cause harmful interference to radio or television reception, which can be determined by turning the equipment off and on, the user is encouraged to try to correct the interference by one or more of the following measures:

- Reorient or relocate the receiving antenna.
- Increase the separation between the equipment and receiver.
- Connect the equipment into an outlet on a circuit different from that to which the receiver is connected.
- Consult the dealer or an experienced radio/TV technician for help.

RF Exposure Information

This equipment complies with FCC radiation exposure limits set forth for an uncontrolled environment. End user must follow the specific operating instructions for satisfying RF exposure compliance.

This transmitter must not be co-located or operating in conjunction with any other antenna or transmitter.

This equipment should be installed and operated with minimum distance 20cm between the radiator& your body.

ISED Compliance Notice

This device contains licence-exempt transmitter(s)/receiver(s) that comply with Innovation, Science and Economic Development Canada's licence-exempt RSS(s). Operation is subject to the following two conditions: (1)This device may not cause interference.(2)This device must accept any interference, including interference that may cause undesired operation of the device.

L'émetteur/récepteur exempt de licence contenu dans le présent appareil est conforme aux CNR d'Innovation, Sciences et Développement économique Canada applicables aux appareils radio exempts de licence. L'exploitation est autorisée aux deux conditions suivantes : (1) L'appareil ne doit pas produire de brouillage; (2) L'appareil doit accepter tout brouillage radioélectrique subi, même si le brouillage est susceptible d'en compromettre le fonctionnement.

This equipment complies with ISED radiation exposure limits set forth for an uncontrolled environment. End user must follow the specific operating instructions for satisfying RF exposure compliance.

This transmitter must not be co-located or operating in conjunction with any other antenna or transmitter.

This equipment should be installed and operated with minimum distance 20cm between the radiator& your body.

Cet équipement est conforme aux limites d'exposition aux rayonnements ISED établies pour un environnement non contrôlé. L'utilisateur final doit suivre les instructions spécifiques pour satisfaire les normes. Cet émetteur ne doit pas être co-implanté ou fonctionner en conjonction avec toute autre antenne ou transmetteur.

Cet équipement doit être installé et utilisé à une distance minimale de 20 cm entre le radiateur et votre corps.