

MATRICE 300 RTK

DISCLAIMER AND SAFETY GUIDELINES

免责声明和安全操作指引

免責聲明與安全指導方針

免責事項および安全に関するガイドライン

고지 사항 및 안전 가이드

HAFTUNGSAUSSCHLUSS UND SICHERHEITSVORSCHRIFTEN

RENUNCIA DE RESPONSABILIDAD Y DIRECTRICES DE SEGURIDAD

CLAUSE D'EXCLUSION DE RESPONSABILITÉ ET CONSIGNES DE SÉCURITÉ

LIMITAZIONI DI RESPONSABILITÀ E DIRETTIVE SULLA SICUREZZA

DISCLAIMER EN VEILIGHEIDSRICHTLIJNEN

ISENÇÃO DE RESPONSABILIDADE E DIRETRIZES DE SEGURANÇA

DECLARAÇÃO DE EXONERAÇÃO DE RESPONSABILIDADE E DIRETRIZES DE SEGURANÇA

ОТКАЗ ОТ ОТВЕТСТВЕННОСТИ И РУКОВОДСТВО ПО ТЕХНИКЕ БЕЗОПАСНОСТИ

v1.0 2020.02



EN Contents

NOTICE	4
Glossary	4
Pre-flight Checklist	4
Disclaimer and Warning	4
Before You Begin	5
Individual Parts	5
Product Care	7
Flight Condition Requirements	7
Flight Modes, Functions and Warnings	7
Compliance with Regulations & GEO Zones	9

CHS 目錄

安全概要	10
調試表	11
飛行前檢查列表	12
免責聲明與警告	12
使用前須知	12
部件使用須知	12
產品保養	14
飛行條件要求	14
飛行模式和警告	15
法律規範與飛行限制	16

CHT 目錄

安全總覽	17
調試表	18
飛行前檢查表	19
免責聲明與警告	19
使用前須知	19
零組件使用須知	19
產品保養	21
飛行條件要求	21
飛行模式和警告	22
法律規範與飛行限制	23

JP 目次

安全についての概要	24
注記	26
用語集	26
フライト前チェックリスト	26
免責事項および警告	26
使用を開始する前に	27
各部部品	27
本製品の取り扱い	29
フライトの必須条件	29
フライトモード、機能および注意事項	29
規制および GEO 区域の遵守	31

KR 목차

안전 지침 요약	32
알림	34
용어집	34
비행 전 체크리스트	34
고지 사항 및 경고	34
시작하기 전에	35
개별 부품	35
제품 관리	37
비행 조건 요구사항	37
비행 모드, 작동 및 경고	37
규정 및 GEO 구역 준수	39

DE Inhalt

Sicherheitsvorschriften auf einen Blick	40
HINWEIS	42
Glossar	42
Checkliste für die Flugvorbereitung	42
Haftungsausschluss und Warnhinweis	42
Bevor Sie anfangen	43
Einzelteile	43
Pflege des Produkts	45
Anforderungen an die Flugbedingungen	45
Flugmodi, Funktionen und Warnhinweise	45
Beachtung von Vorschriften und GEO-Zonen	47

ES Contenido

Seguridad de un vistazo	48
AVISO	50
Glosario	50
Lista de comprobación previa al vuelo	50
Renuncia de responsabilidad y advertencia	50
Antes de comenzar	51

Piezas individuales	51
Cuidado del producto	53
Requisitos de condiciones de vuelo	53
Modos de vuelo, funciones y advertencias	53
Cumplimiento de normativas y zonas GEO	55

FR Sommaire

Sécurité – Aperçu	56
REMARQUE	58
Glossaire	58
Liste des vérifications avant le vol	58
Clause d'exclusion de responsabilité et mise en garde	58
Avant de commencer	59
Pièces individuelles	59
Entretien du produit	61
Exigences relatives aux conditions de vol	61
Modos de vol, fonctions et avertissements	61
Conformité aux réglementations et aux zones GEO	63

IT Sommario

Sicurezza in sintesi	64
AVVISO	66
Glossario	66
Elenco dei controlli preliminari	66
Limitazioni di responsabilità e avvertenze	66
Prima di cominciare	67
Componenti	67
Cura del prodotto	69
Requisiti delle condizioni di volo	69
Modalità di volo, funzioni e avvertenze	69
Conformità alle normative e zone GEO	71

NL Inhoud

Veiligheid in één oogopslag	72
OPMERKING	74
Verklarende woordenlijst	74
Checklist ter voorbereiding van de vlucht	74
Disclaimer en waarschuwing	74
Voordat u begint	75
Azondere/rijke onderdelen	75
Productonderhoud	77
Vereisten voor vluchtomstandigheden	77
Vliegstanden, functies en waarschuwingen	77
Naleving van regelgeving en voorschriften ten aanzien van	79

PT Conteúdo

Resumo de segurança	80
ATENÇÃO	82
Glossário	82
Lista de verificação antes do voo	82
Declaração de exoneração de responsabilidade e aviso	82
Antes de começar	83
Peças individuais	83
Cuidados com o produto	85
Requisitos da condição de voo	85
Modos de voo, funções e avisos	85
Conformidade com regulamentos e Zonas GEO	87

PT-BR Conteúdo

Noções de segurança	88
AVISO	90
Glossário	90
Lista de verificação pré-voo	90
Isenção de Responsabilidade e Advertência	90
Antes de começar	91
Peças individuais	91
Cuidados com o produto	93
Requisitos de condições de voo	93
Conformidade com regulamentos e zonas GEO	95

RU Содержание

Краткий обзор правил техники безопасности	96
ПРИМЕЧАНИЕ	98
Обозначения	98
Предполетная проверка	98
Отказ от ответственности и предупреждение	98
Перед началом эксплуатации	99
Отдельные компоненты	99
Уход за устройством	101
Требования к условиям полета	102
Режимы полета, функции и предупреждения	102
Соответствие нормативно-правовым актам и зонам GEO	104

Compliance Information	105
------------------------	-----

Safety at a Glance

1. Environmental Considerations

- Always fly at locations that are clear of building and other obstacles.
- DO NOT fly above or near large crowds.
- Avoid flying at altitudes above 400 feet (120 m)*.
- Fly in moderate weather conditions with temperatures between -20° to 50°C (-4° to 122°F).
- Please take additional caution when flying indoors as the aircraft stabilization features may experience some interference.
- DO NOT fly when the wind speed exceeds 12 m/s or 27 mph. Land the aircraft as soon as possible when the DJI Pilot app prompts you to do so.

2. Pre-flight Checklist

- Ensure the remote controller and aircraft batteries are fully charged.
- Ensure the propellers are in good condition and securely tightened before each flight.
- Ensure there is nothing obstructing the motors. Check that the motors are clean and free of stains.
- Check that the camera lens is clean and free of stains.
- Complete the pre-flight checklist displayed in DJI Pilot app. Calibrate the compass and the IMU when the DJI Pilot app or the status indicator prompts you to do so.
- Ensure the GPS satellite number is not less than 6 in the DJI Pilot app.
- Altering or modifying the aircraft's parts may impact its stability. Strictly follow DJI's official instruction to attach compatible external equipment and please ensure that the overall weight of the aircraft does not exceed 9 kg after attachment. Be sure that the external equipment is mounted in the right position as provided in the official instruction to avoid the displacement of the aircraft's center of gravity.
- Ensure the vision system, infrared sensors, FPV cameras and auxiliary lights lens are clean and free of stains or fingerprints, and they are not obstructed by any parts (e.g. load attached).
- Ensure the frame arms are fully unfolded, the frame arms and the landing gears are locked firmly.
- Ensure the rubber plug are inserted firmly when the ports on aircraft and remote controller are not used.
- Make sure that all the cooling fans of the aircraft are free of foreign objects, and there is no obstruction on the air intake and the air vent. Also make sure that the fans work without any abnormal noise.

3. IP44 Protection Rating

Under stable laboratory conditions, the M300 RTK achieves an IP44 protection rating by IEC60529 standards when equipped with TB60 Intelligent Flight Batteries. However, this protection rating is not permanent and may reduce over time after long-term use.

- DO NOT fly when the amount of rainfall exceeds 100 mm / 24 h.
- DO NOT fold the frame arms in the rain.
- Make sure the battery ports, battery compartment ports, battery surfaces, and battery compartment surfaces are dry before inserting the batteries.
- Make sure the battery ports and battery surfaces are free from any liquid before charging the batteries.
- Before packing the aircraft into the carrying case, ensure that it is free from any liquid by wiping it carefully.
- Product warranty does not cover water damage.



The DJI™ MATRICE™ 300 RTK (M300 RTK) aircraft is NOT a toy and is not suitable for children under the age of 18. Note that 'Safety at a Glance' only provides a quick overview of the safety tips. Make sure you read and understand the remaining sections of this document.

The aircraft does not achieve IP44 protection rating in the following circumstances:

- Folded frame arms.
- You use batteries other than the M300 RTK's TB60 Intelligent Flight Batteries.
- The cover for the ports are not attached correctly.
- The weatherproofing top shell plug is not firmly attached to the top shell.
- The aircraft is broken due to various reasons, such as broken aircraft shell, failure of the waterproof adhesive, etc.

4. Operation

- DO NOT fly the aircraft from a moving vehicle.
- To avoid affecting the motor service life, do not take off or land the aircraft on sandy or dusty areas.
- Stay away from the rotating propellers and motors.
- Maintain visual line of sight of your aircraft at all times.
- To stop the motors mid-flight, pull both remote controller sticks to the bottom inner corner or bottom outside corner.
- Stopping the motors mid-flight will cause the aircraft to crash. The motor can only be stopped mid-flight when the flight controller detects critical error.
- While the aircraft is equipped with advanced technology, the pilot's sound discretion is required during the flight. Safety and flight assistance features such as obstacle avoidance, precise landing, and landing protection, are designed to assist your operation, not to replace it. Environmental conditions including lighting and obstacle's texture may impact the performance of the Vision System.
- DO NOT answer incoming calls, text messages or use any other features of your mobile devices that may distract you from operating your aircraft during flight. DO NOT fly under the influence of alcohol or drugs.
- DO NOT fly closely above reflective surfaces such as water or snow, as these terrains may affect the performance of the Vision System.
- In the instance of a Low Battery Warning, land the aircraft immediately at a safe location.
- During the Failsafe Return to Home procedure, the aircraft will not be able to avoid the obstacles if the light condition is not good. You can quit the Return to Home procedure and operate the aircraft when the remote controller signal is obtained again. Ensure to set an appropriate Failsafe altitude before each flight.
- After landing, first stop the motor, then turn off the Intelligent Flight Battery, and then turn off the remote controller.
- While with advanced technology, the DJI Pilot app's sound discretion is required during the flight. Safety and flight assistance features such as obstacle avoidance, precise landing, and landing protection, are designed to assist your operation, not to replace it. Environmental conditions including lighting and obstacle's texture may impact the performance of the Vision System. Please set the Return to Home Altitude higher than surrounding obstacles in the DJI Pilot app.
- Landing protection (detects if the ground is suitable for landing at an altitude of 2 meters above the ground) is used to optimize the operation experience. Always be alert when in control of the aircraft as the vision system may be disabled in certain situations (e.g. dim lighting or unclear obstacle surface patterns), and ground surface detection may fail.

* The flying altitude restriction varies in different jurisdictions. DO NOT fly above the maximum altitudes set forth in your local laws and regulations.

5. Maintenance and Upkeep

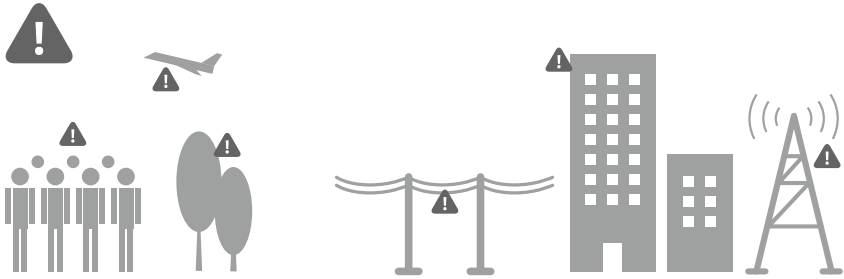
- DO NOT use aged, chipped or broken propellers.
- It is recommended to store the aircraft and the batteries in a cool and dry place with temperatures between 22° and 30° C (71° and 86° F), and avoid exposure to direct sunlight.
- Refer to the Intelligent Flight Battery Safety Guidelines for more information about safe use of the battery.

aviation authorities for a complete lists and regulations of GEO Zones.

- The flight altitude restriction varies in different jurisdictions. DO NOT fly above the maximum altitudes set forth in your local laws and regulations.
- Avoid flying in areas where rescue teams are actively using the airspace.

6. Observe Local Laws and Regulations

- DO NOT fly in the GEO Zones. You can find relevant information of these areas at <http://fllysafe.dji.com/>. Please check with local

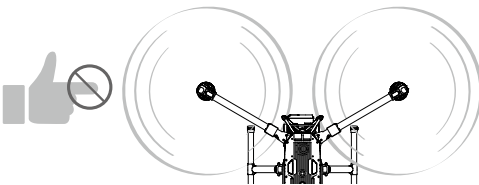


Avoid flying over or near crowds, trees or airports.

Strong electromagnetic sources such as power lines, base stations, and tall buildings may affect the onboard compass. Always stay alert about surroundings in flight.



DO NOT use the aircraft in adverse weather conditions such as rain, snow, fog and wind speeds exceeding 12 m/s or 27 mph.



Stay away from the rotating propellers and motors.



Learn more at:
<https://fllysafe.dji.com>

NOTICE

All instructions and other collateral documents are subject to change at the sole discretion of SZ DJI TECHNOLOGY CO., LTD ("DJI"). For up-to-date product information, visit <http://www.dji.com> and check on the product page.

Glossary

The following terms are used throughout this document literature to indicate various levels of potential harm when operating this product:

NOTICE Procedures, which if not properly followed, create a possibility of physical property damage AND a little or no possibility of injury.

CAUTION Procedures, which if not properly followed, create the probability of physical property damage AND a possibility of serious injury.

WARNING Procedures, which if not properly followed, create the probability of property damage, collateral damage, and serious injury OR create a high probability of serious injury.



WARNING

Read the ENTIRE user manual to become familiar with the features of this product before operation. Failure to operate the product as instructed by the user manual may result in damage to the product or personal property and cause serious injury.

This is a sophisticated product. It must be operated with caution and common sense and requires some basic mechanical ability. Failure to operate this product in a safe and responsible manner could result in injury or damage to the product or other property. This product is not intended for use by children. DO NOT use incompatible components or alter this product in any way unless otherwise allowed by relevant documents provided by SZ DJI TECHNOLOGY CO., LTD. These Safety Guidelines contain instructions for safety, operation and maintenance. It is important to read and follow all of the instructions and warnings in the user manual, prior to assembly, setup or use, in order to operate the product safely and avoid damage or serious injury.

AGE RECOMMENDATION: NOT FOR CHILDREN UNDER THE AGE OF 18. THIS IS NOT A TOY.

Pre-flight Checklist

1. Ensure that you are using only genuine parts and that all parts are in mint condition.
2. Ensure the remote controller, Intelligent Flight Battery, and mobile device are fully charged.
3. Ensure that there is no foreign object stuck to the camera lens, the microSD card has been inserted into the gimbal camera, and the gimbal can rotate freely before powering it on.
4. Ensure the propellers and mounting screws are securely mounted onto the motors, and the motors can start and function normally.
5. Follow the on-screen instructions to calibrate the compass.
6. Ensure the DJI Pilot app and aircraft's firmware have been upgraded to the latest version.
7. Ensure that your flight area is outside the GEO Zones and flight conditions are suitable for flying the aircraft.
8. Be sure that you are NOT flying under the influence of alcohol, drugs or any substance that may impair your cognitive abilities.
9. Be familiar with the selected flight mode and understand all safety functions and warnings.
10. Be sure to observe all local regulations, obtain appropriate authorizations, and understand the risks. REMEMBER: It is solely your responsibility to comply with all applicable regulations.
11. Please MAINTAIN VISUAL LINE OF SIGHT (WITH YOUR EYES) OF YOUR AIRCRAFT AT ALL TIMES. Please DO NOT only rely on first person view camera to control your aircraft.
12. Ensure the DJI Pilot app is properly launched to assist your operation of the aircraft. Without the flight data recorded by the DJI Pilot app, in certain situations (including the loss of your aircraft) DJI may not be able to provide aftersales support to you or assume liability.

13. When flying with a payload, always test the hovering performance of the aircraft. Make sure the total take-off weight does not exceed the normal specification. Take off the aircraft without any strong mechanical vibration of the aircraft, electromagnetic interference, or obstruction of the vision system or infrared sensors.
14. Ensure the vision system, infrared sensors, FPV cameras and auxiliary lights lens are clean and free of stains or fingerprints, and they are not obstructed by any parts (e.g. load attached).
15. Ensure the frame arms are fully unfolded, the frame arms and the landing gears are locked firmly.
16. Ensure the rubber plug are inserted firmly when the ports on aircraft and remote controller are not used.
17. Make sure that all the cooling fans of the aircraft are free of foreign objects, and there is no obstruction on the air intake and the air vent. Also make sure that the fans work without abnormal noise.

Disclaimer and Warning

This product is NOT a toy and is not suitable for children under the age of 18. Adults should keep the aircraft out of the reach of children and exercise caution when operating this aircraft in the presence of children.

While the product adopts advanced technology, inappropriate use of the product could result in personal injury or property damages. Please read the materials associated with the product before your first use of the product. These documents are included in the product package and are also available online on the DJI product page at <http://www.dji.com>.

The information in this document affects your safety and your legal rights and responsibilities. Read this entire document carefully to ensure proper configuration before use. Failure to read and follow the instructions and warnings in this document may result in product loss, serious injury to you, or damage to your aircraft.

By using this product, you hereby signify that you have read this disclaimer carefully and that you understand and agree to abide by the terms and conditions herein. EXCEPT AS EXPRESSLY PROVIDED IN DJI AFTER-SALES SERVICE POLICIES AVAILABLE AT ([HTTP://WWW.DJI.COM/SERVICE/POLICY](http://www.dji.com/service/policy)), THE PRODUCT AND ALL MATERIALS, AND CONTENT AVAILABLE THROUGH THE PRODUCT ARE PROVIDED "AS IS" AND ON AN "AS AVAILABLE" BASIS, WITHOUT WARRANTY OR CONDITION OF ANY KIND, EITHER EXPRESS OR IMPLIED. DJI DISCLAIMS ALL WARRANTIES OF ANY KIND, EXCEPT AS EXPRESSLY PROVIDED IN DJI AFTER-SALES SERVICE POLICIES, WHETHER EXPRESS OR IMPLIED, RELATING TO THE PRODUCT, PRODUCT ACCESSORIES, AND ALL MATERIALS, INCLUDING: (A) ANY IMPLIED WARRANTY OF MERCHANTABILITY, FITNESS FOR A PARTICULAR PURPOSE, TITLE, QUIET ENJOYMENT, OR NONINFRINGEMENT; AND (B) ANY WARRANTY ARISING OUT OF COURSE OF DEALING, USAGE, OR TRADE. DJI DOES NOT WARRANT, EXCEPT AS EXPRESSLY PROVIDED IN DJI LIMITED WARRANTY, THAT THE PRODUCT, PRODUCT ACCESSORIES, OR ANY PORTION OF THE PRODUCT, OR ANY MATERIALS, WILL BE UNINTERRUPTED, SECURE, OR FREE OF ERRORS, VIRUSES, OR OTHER HARMFUL COMPONENTS, AND DO NOT WARRANT THAT ANY OF THOSE ISSUES WILL BE CORRECTED.

NO ADVICE OR INFORMATION, WHETHER ORAL OR WRITTEN, OBTAINED BY YOU FROM THE PRODUCT, PRODUCT ACCESSORIES, OR ANY MATERIALS WILL CREATE ANY WARRANTY REGARDING DJI OR THE PRODUCT THAT IS NOT EXPRESSLY STATED IN THESE TERMS. YOU ASSUME ALL RISK FOR ANY DAMAGE THAT MAY RESULT FROM YOUR USE OF OR ACCESS TO THE PRODUCT, PRODUCT ACCESSORIES, AND ANY MATERIALS. YOU UNDERSTAND AND AGREE THAT YOU USE THE PRODUCT AT YOUR OWN DISCRETION AND RISK, AND THAT YOU ARE SOLELY RESPONSIBLE FOR ANY PERSONAL INJURY, DEATH, DAMAGE TO YOUR PROPERTY (INCLUDING YOUR COMPUTER SYSTEM OR MOBILE DEVICE OR DJI HARDWARE USED IN CONNECTION WITH THE PRODUCT) OR THIRD PARTY PROPERTY, OR THE LOSS OF DATA THAT RESULTS FROM YOUR USE OF OR INABILITY TO USE THE PRODUCT.

SOME JURISDICTIONS MAY PROHIBIT A DISCLAIMER OF WARRANTIES AND YOU MAY HAVE OTHER RIGHTS THAT VARY FROM JURISDICTION TO JURISDICTION.

DJI accepts no liability for damage, injury or any legal responsibility incurred directly or indirectly from the use of this product. The user shall observe safe and lawful practices including, but not limited to, those set forth in these Safety Guidelines.

Data Storage and Usage

When you use our mobile app or our products or other software, data regarding the use and operation of the product, such as flight telemetry data (e.g., speed, altitude, battery life, and information about the gimbal and camera) and operations records, may be provided to DJI. The internal storage device incorporated into the product stores various types of data, including flight telemetry data. You may also provide flight telemetry data and other data to us when you manually transmit that information from the internal storage device to us.

Please refer to DJI Privacy Policy (available at <http://www.dji.com/policy>) for more information.

Before You Begin

This product is an aircraft that offers easy flight when in good working order as set forth below. Visit <http://www.dji.com> for the most current instructions and warnings and <http://knowbeforeyoufly.org/> for more information about flight safety and compliance.

The following documents have been produced to help you safely operate and make full use of your aircraft:

In the Box
Disclaimer and Safety Guidelines
Intelligent Flight Battery Safety Guidelines
Quick Start Guide
User Manual

Check all of the included parts listed in the In the Box document and read the Disclaimer and Safety Guidelines before flight. Then prepare for your first flight by using the Quick Start Guide and watching all of the tutorial videos on DJI's official website (<http://www.dji.com>). If you have questions, refer to the User Manual in the app or on DJI's official website for more comprehensive information. Make sure you fully understand the functionality of each individual part, the flight condition requirements, the key contingency warning functions/systems, and all government regulations before each flight. If you have any questions or problems during the assembly, maintenance or use of this product, please contact DJI or a DJI authorized dealer.

Individual Parts

Regarding Genuine and Functional Parts

⚠ WARNING

To avoid component malfunction, serious injury, and property damage, observe the following rules:

1. Use only genuine DJI parts or parts certified by DJI. Unauthorized parts or parts from non-DJI certified manufacturers may cause system malfunctions and compromise safety.
2. Ensure there are no foreign objects (such as water, oil, soil, sand, etc.) inside of the aircraft or its components.
3. Ensure the aircraft and its components – including but not limited to the remote controller, camera, gimbal, compass, propulsion system, and battery – are all in good working order, damage free, and functioning well. Refer to the remaining sections in this document for more details on how to ensure the functionality of these components.
4. DO NOT modify or alter the aircraft, its components, and parts. Unauthorized modification may cause malfunctions and affect the aircraft's functionality and safety.
5. Make sure that all the cooling fans of the aircraft are free of foreign objects, and there is no obstruction on the air intake and the air vent.
6. All the accessories that would be used together with M300 RTK, including but not limited to gimbals, CSM Radar, should only be used with the aircraft. Users take full responsibility for the damages caused by the accessories that have been used with other non-official products.
7. DO NOT use non-DJI cable to connect the aircraft ports, which may cause system malfunctions and compromise safety.

Video Transmission System

NOTICE

1. Only enable "Custom" mode under the guidance of professionals. Otherwise, the video transmission signal may lag or even get lost due to interference.

Remote Controller

NOTICE

1. Fully charge the Smart Controller before each flight.
2. If the Smart Controller is turned on and the Touch Screen is off for five minutes, an alert sound will be triggered. Ten seconds after the alert sound, the Smart Controller will automatically power off. Move the sticks or perform some other action to cancel the alert.
3. Ensure the antennas are unfolded and adjusted to the proper position to achieve the optimal transmission quality.
4. Contact DJI support to repair or replace the antennas if they are damaged. Damaged antennas will greatly decrease performance.
5. Link the Smart Controller and the aircraft again if you change the aircraft.
6. Ensure to power off the aircraft before the Smart Controller.
7. Fully charge the Smart Controller every three months.
8. Immediately charge the Smart Controller when its power level decreases to 10% to prevent the Smart Controller from damage due to over discharge for an extended period. Discharge the Smart Controller to a power level between 40% and 60% if stored for an extended period.
9. DO NOT cover the air vent on the Smart Controller. Otherwise, the Smart Controller may become too hot, which could affect its performance.
10. DO NOT disassemble the Smart Controller without the assistance of a DJI authorized dealer. Always contact DJI or a DJI authorized dealer to replace the Smart Controller's components.
11. DO NOT block the built-in GPS. In cases where the DJI Smart Controller Enterprise Screen Mounting Bracket (hereinafter referred as "Mounting Bracket") is installed, remove it and try again if GPS signal is poor.
12. To avoid wear and tear of the Stick Covers, DO NOT disassemble the sticks on a frequent basis.

Compass

CAUTION

To avoid possible serious injury and property damage, observe the following rules:

1. Land immediately when obvious drifting occurs in flight.
2. DO NOT fly in an environment with strong electromagnetic interference or space with lots of obstruction.
3. If the DJI Pilot app prompts for compass calibration before takeoff, please take off after calibration in an environment without electromagnetic interference.

NOTICE

Only calibrate the compass when the DJI Pilot app or the status indicator prompt you to do so. Observe the following rules when calibrating your compass:

1. DO NOT calibrate your compass where there is magnetic interference, such as interference by magnetite, parking structures, or steel reinforcements underground.
2. DO NOT carry ferromagnetic materials with you during calibration such as cellular phones.
3. The DJI Pilot app will prompt you to resolve the compass issue if the compass is affected by strong interference after calibration is complete. Follow the prompted instructions to resolve the compass issue.

Propulsion Systems

⚠ WARNING

To avoid serious injury to yourself or others, which may be caused by the rotating propellers and motors, observe the following rules:

Propellers

1. DO NOT use aged, chipped, or broken propellers.
2. Always power off the aircraft before touching the propellers.
3. Be aware of the sharp edges of the propellers when mounting or removing the propellers. Wear gloves or take other protective measures when touching the propellers.
4. Whenever necessary, use tools (e.g., wrench, screwdriver, pliers,

etc.) to remove or install the propellers.

- Ensure the propellers and mounting screws are securely mounted to prevent them from falling off the motors.
- DO NOT turn on the motors when propellers are mounted and there are other people or animals in the immediate vicinity.
- Using third-party propellers may compromise the aerodynamics of the aircraft. For a better and safer flight experience, we recommend you to use original DJI propellers only.
- Wipe the propellers to make them dry before each flight where the surrounding temperature is around 0°C (32°F) to avoid the propellers from having frosted.

Motors

- Ensure the motors are securely mounted and rotating smoothly.
- Ensure proper installation and that the motor functions normally before each flight. If the the ventilation holes on the motors are blocked, clear them before flight. If the cover is aging, damaged or deformed, please contact DJI or a DJI authorized dealer.
- DO NOT attempt to modify the structure of the motors.
- DO NOT touch or let your hands or body come in contact with the motors after flight as they may be hot.

Electronic Speed Controllers

- If required before each flight, follow the app prompts to fix the abnormalities of the electronic speed controllers.
- Please land the aircraft if the DJI Pilot app prompts that there is something wrong with the electronic speed controllers (e.g. over temperature, low voltage or overload).

CAUTION

To avoid possible serious injury and property damage, observe the following rules:

- DO NOT block any of the ventilation holes on the motors.
- DO NOT block any of the ventilation holes on the frame arm of the aircraft.

NOTICE

Motors

- To avoid affecting the motor service life, do not take off or land the aircraft on sandy or dusty areas.
- Keep the motors free of dust and ensure the motor vents are not blocked.
- If a motor is stuck and unable to rotate freely, execute the CSC (Combination Stick Command) to stop the motors immediately.

Electronic Speed Controllers

Ensure the electronic speed controllers sound a normal tune when powered on.

DJI Pilot App

NOTICE

- Be sure to fully charge your tablet or mobile device (if used) before launching the app. CRYSTALSKY™ is recommended for a better experience.
- If you are using a phone as your mobile display device, be sure to continue flying safely when the phone receives an incoming call. DO NOT accept phone calls during flight.
- Mobile cellular data is required when using the DJI Pilot app. Please contact your wireless carrier for data charges.
- Read all prompted safety tips, warning messages, and disclaimers carefully. Be familiar with the related regulations in your area. You are solely responsible for being aware of all relevant regulations and flying in a way that is compliant.
 - Read and understand the warning messages before resetting your Home Point.
 - Read and understand the warning messages and disclaimer before setting the altitude beyond the regulatory limit.
 - Read and understand the warning messages and disclaimer before switching between the flights modes.
- Land your aircraft immediately at a safe location if there is an alert shown on the app.
- Examine and check all warning messages on the checklist

displayed in the app prior to each flight.

- Use DJI ASSISTANT™ 2 to practice your flight skills if you have never operated the aircraft or if you DO NOT have sufficient experience to be comfortable operating the aircraft.
- Cache the map data of the area where you intend to fly the aircraft by connecting to the Internet before each flight.
- The app is designed to assist your operation. Please use your sound discretion and DO NOT rely on the app to control your aircraft.
- Your use of the app is subject to the DJI Pilot app Terms of Use and DJI Privacy Policy. Please read them carefully in the app.

Firmware

WARNING

To avoid serious injury to children and animals, observe the following rule:

- Keep children and animals at a safe distance during any firmware upgrade, system calibration, and parameter setting procedures.

NOTICE

- For safety, always update the firmware to the latest version when an upgrade notification is shown in the DJI Pilot app.
- Firmware upgrade notifications will inform about new firmware upgrades. You are required to read and understand the information shown.
- Be sure to update the remote controller's firmware to the latest version after you update the aircraft's firmware.
- The remote controller may become unlinked from the aircraft after updating.
- Be sure to check all connections and remove the propellers from the motors before performing the firmware update.

SDK

NOTICE

- Before using the DJI SDK, you should agree to the DJI SDK Terms of Use and the DJI Privacy Policy. These Terms of Use and Privacy Policy limit some of DJI's legal responsibilities, please read them carefully at <https://developer.dji.com/policies/>.

Camera (Optional)

WARNING

To avoid possible serious injury and property damage, observe the following rule:

- DO NOT block any ventilation holes on the camera as the heat generated may hurt you and damage the device.

NOTICE

- Before use, check camera settings to make sure they are adjusted to fit your needs.
- Test the camera by shooting a few test images and check that it is operating correctly before shooting important pictures or videos.
- DO NOT remove the microSD card from the gimbal camera when it is powered on. Please use officially recommended microSD cards.
- Be sure to power off the Intelligent Flight Battery correctly, otherwise your camera parameters will NOT be saved and any recorded videos may be damaged.
- Regardless of the reason, DJI will not be responsible for any failure of an image or video to be recorded or having been recorded in a way that is not machine readable.

Gimbal (Optional)

NOTICE

- Precision elements in the gimbal may be damaged in a collision or impact, which may cause the gimbal to function abnormally.
- DO NOT apply external force to the gimbal after the gimbal is powered on.
- DO NOT add any payloads to the gimbal, as this may cause the gimbal to function abnormally or even lead to motor damage.
- The gimbal and gimbal connector are very delicate. Handle with

care and DO NOT touch the gimbal connector, as any damage will cause it to function abnormally.

5. Hold the gimbal firmly when detaching or reattaching it, so it does not drop.
6. DO NOT attach or remove the gimbal with the aircraft powering on.
7. When using multiple-gimbal system, ensure to strictly follow the instructions on the user manual, mounting compatible gimbal cameras correctly.

Product Care

Storage and Transportation

WARNING

To avoid serious injury to children and animals, observe the following rule:

1. Small parts, such as cables and straps, are dangerous if swallowed. Keep all parts out of reach of children and animals.

NOTICE

1. Fully charge and discharge the battery regularly to maintain battery health. Refer to the Intelligent Flight Battery Safety Guidelines for more information about safe use of the battery.
2. DO NOT allow the camera to come into contact with, or become immersed in, water or other liquids. If it gets wet, wipe dry with a soft, absorbent cloth. Turning on an aircraft that has fallen into water may cause permanent component damage. DO NOT use substances containing alcohol, benzene, thinners or other flammable substances to clean or maintain the camera. DO NOT store the camera in humid or dusty areas.
3. Detach the gimbal from the aircraft when storing for a long period of time or transporting over long distances.
4. DO NOT connect this product to any USB interface that is older than version 2.0. DO NOT connect this product to any "power USB" or similar devices.
5. Frame arms and propellers must be folded to the original place during transportation, or the antennas may be damaged. Place the aircraft on the ground gently to avoid damage to the IMU and other parts.

Maintenance and Upkeep

NOTICE

1. Please contact DJI recommended service centers for product inspection or repair after any crash or violent impact. Operating damaged aircraft is very dangerous and may cause bodily injury or property damage.
2. Fully charge and discharge the battery regularly to maintain battery health. Refer to the Intelligent Flight Battery Safety Guidelines for more information about safe use of the battery.
3. It is recommended to schedule a maintenance service regularly for flight safety and reliability. Refer to the Intelligent Flight Battery Safety Guidelines for details.
4. Regularly check the Battery Level Indicators to see the current battery level and overall battery life. The battery is rated for 200 cycles. It is not recommended to continue use afterward. Refer to the Intelligent Flight Battery Safety Guidelines for more information about the safe use and maintenance of the battery.

Flight Condition Requirements

Weather Conditions and Surrounding Environment

WARNING

The aircraft is designed to operate in good to moderate weather conditions. To avoid collision, serious injury and property damage, observe the following rules:

1. DO NOT use the aircraft in severe weather conditions. These include heavy wind speeds exceeding 12 m/s, snow, heavy rain, smog, hail, lightning, tornadoes or hurricanes.
2. Keep the aircraft at least 30 feet (10 meters) away from obstacles, people, animals, buildings, public infrastructure, trees, and bodies of water when in flight. Stay even further away from the above objects as your altitude increases.

3. Be EXTRA cautious when operating the aircraft indoors. Some features of the aircraft, especially the stabilization feature, may be impacted.
4. Be sure to enable the Vision System when flying indoors. Note that the Vision System may NOT work properly when it is flying over water, over surfaces without a clear pattern, or in a dim environment.

NOTICE

1. Aircraft and battery performance is subject to environmental factors such as air density and temperature.
 - a. DO NOT operate the aircraft when the temperature is outside the range of -20° to 50° C (-4° to 122° F).
2. DO NOT use the aircraft near accidents, fire, explosions, floods, tsunamis, avalanches, landslides, earthquakes, dust, or sandstorms.

Interference with Communications

NOTICE

1. Check if any part of the aircraft has been hit or crashed. Contact DJI support or the authorized dealers when needed.
2. Fly in open areas. Tall buildings or steel structures may affect the accuracy of the on-board compass and block the GPS signal.
3. Avoid interference between the remote controller and other wireless equipment. Make sure to turn off the Wi-Fi on your mobile device.
4. Be extremely alert when fly near areas with magnetic or radio interference. These include but are NOT limited to: high voltage lines, large scale power transmission stations or mobile base stations and broadcasting towers. Failing to do so may compromise the transmission quality of this product or cause remote controller and video transmission errors which may affect flight orientation and location accuracy. The aircraft may behave abnormally or go out of control in areas with too much interference.

Operating the Aircraft Responsibly

WARNING

To avoid serious injury and property damage, observe the following rules:

1. Make sure you are NOT drunk, or under the influence of drugs, anesthesia, or suffering from dizziness, fatigue, nausea or any other conditions, whether physical or mental, that could impair your ability to operate the aircraft safely.
2. Upon landing, power off the aircraft first, then switch off the remote controller.
3. DO NOT drop, launch, fire or otherwise project any dangerous payloads on or at any buildings, persons or animals, or which could cause personal injury or property damage.
4. DO NOT use the aircraft that has been crashed or accidently hit, or the aircraft that is not in good condition.

NOTICE

1. Make sure you have been sufficiently trained and are fully aware of any contingency plans before accidents happen.
2. Make sure you have a flight plan and never fly the aircraft recklessly.
3. Respect the privacy of others when using the camera. Make sure you comply with local privacy laws, regulations, and moral standards.
4. DO NOT use this product for any reason other than general personal use. DO NOT use it for any illegal or inappropriate purpose (such as spying, military operations, or unauthorized investigations).
5. DO NOT use this product to defame, abuse, harass, stalk, threaten or otherwise violate the legal rights (such as the right of privacy and publicity) of others.
6. DO NOT trespass into private property of others.

Flight Modes, Functions and Warnings

Flight Modes

WARNING

DO NOT switch from P-mode to either S-mode or T-mode unless you are sufficiently familiar with the aircraft's behavior under each flight mode. You must turn on the "Multiple Flight Modes" setting in the app before

you can switch from P-mode to other modes.

The aircraft will automatically enter Attitude mode when both of the following conditions are met: (1) the vision system is unavailable and (2) either there is weak GPS signal or the compass experiences interference.

In Attitude mode, the Vision System and some advanced features are disabled. Therefore, the aircraft cannot position or auto-brake in this mode and is easily affected by its surroundings, which may result in horizontal shifting. Use the remote controller to position the aircraft.

Maneuvering the aircraft in Attitude mode can be difficult. Before shifting the aircraft into Attitude mode, make sure you are comfortable flying in this mode. DO NOT fly the aircraft too far away as you might lose control and cause a potential hazard.

Avoid flying in areas where GPS signal is weak, or in narrow and confined spaces. The aircraft will otherwise be forced to enter Attitude mode, leading to potential flight hazards, please land it in a safe place as soon as possible.

NOTICE

P-mode is preferred for most flight scenarios. When flying in other modes, take EXTRA precautions because some features will NOT be available. When flying in Attitude mode, take EXTRA precautions because some features are NOT available in Attitude mode. When flying indoors, the aircraft cannot perform precision hovering when flying above the surfaces that do not have a clear pattern. Refer to the "Vision System and Infrared Sensing System" section for complete indoor flying criteria.

1. P-mode (Positioning): P-mode works best when the GPS signal is strong. The aircraft utilizes the GPS and Vision System to automatically stabilize itself.
2. S-mode (Sports): S-mode is identical to P-mode in terms of flight controller settings, except that the handling gain values of the aircraft are adjusted in order to enhance the maneuverability of the aircraft. The maximum flight speed of the aircraft is increased in this mode.
3. T-mode (Tripod): T-mode is based on P-mode but with a limited flight speed, which makes the aircraft movement more easily controlled.

Return to Home

NOTICE

1. The Return to Home function may be affected by the weather, the environment, or any nearby magnetic fields.
2. Make sure to operate the aircraft within the transmission range of the remote controller.
3. Press the RTH (Return to Home) Button on the remote controller to initiate the Return to Home process instead of turning off the remote controller. And the aircraft will fly to the latest recorded home point.
4. During flight, if the aircraft is flying over extremely dark (< 15 lux) or bright (> 10,000 lux) surfaces, it will not be able to avoid obstacles. DO NOT rely on the vision system and always be alert when in control of the aircraft. Control the aircraft by yourself if necessary or press the RTH Button to stop the aircraft from returning to home.
5. Tall buildings may adversely affect the Failsafe function. Therefore, it is important to set an appropriate Failsafe altitude before each flight. Please adjust the aircraft altitude while returning home.
6. The Return to Home feature will NOT work if the GPS signal is insufficient (GPS signal less than three bars) or if GPS is not active.
7. In the event of loss of the remote controller's signal and the GPS signal is weak, if the aircraft cannot detect the Home Point, the aircraft will hover for 8 seconds and then auto-land if it is in "P" mode.
8. If the battery life so allows, the aircraft may first return to the last position where it had connection with the remote controller during the Failsafe RTH. As a result, you may observe the aircraft first flying away from you, then returning to the home point.

Low Battery

NOTICE

1. When the Critical Battery Level Warning activates and the aircraft is descending automatically, you may push the throttle up to maintain the aircraft's altitude and navigate it to a more appropriate location

for landing.

2. When battery warnings are triggered, promptly bring the aircraft back to the Home Point or land to avoid losing power during flight and causing damage to the aircraft, property, animals, and people.

D-RTK 2

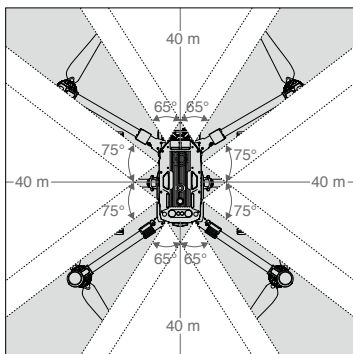
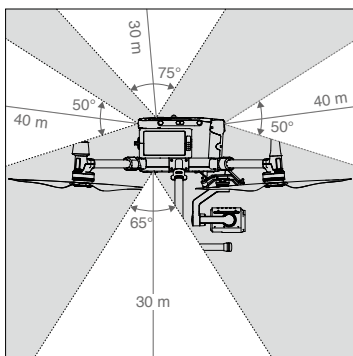
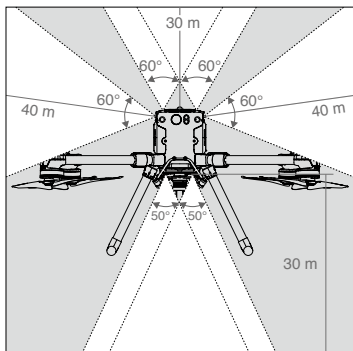
NOTICE

1. Only use genuine DJI parts or parts certified by DJI. Unauthorized parts or parts from non-DJI-certificated manufacturers may cause the system to malfunction and compromise safety.
2. Operate in an open environment free from radio interference.
3. DO NOT obstruct any D-RTK 2 antennas.

Vision System and Infrared Sensing System

NOTICE

1. The Vision System will work properly at a height reaching up to 30 meters over surfaces that have clear pattern variations. The vision system cannot work when the aircraft is flying fast at altitudes below 0.5 meters.
2. The Vision System may NOT function properly when the aircraft is flying over water. DO NOT rely too much on the vision system, and operate the aircraft cautiously.
3. The Vision System may NOT function properly when in any of the following situations:
 - a. Flying over monochrome surfaces (e.g., pure black, pure white, pure red, pure green) or without clear texture.
 - b. Flying over highly reflective surfaces.
 - c. Flying over water or transparent surfaces.
 - d. Flying over moving surfaces or objects (e.g. above moving people, waving reeds, shrubs and grass).
 - f. Flying in an area where the lighting changes frequently or drastically.
 - g. Flying over extremely dark (< 15 lux) or bright (> 10,000 lux) surfaces.
 - h. Flying at high speeds (over 14m/s at 2 meters or over 5m/s at 1 meter).
 - i. Tiny obstacles.
4. The Infrared Sensing System may NOT provide an accurate distance when in any of the following situations:
 - a. Flying over surfaces that can absorb sound waves (e.g., pure black matt objects).
 - b. There is a large area of strong reflectors beyond 15m (for example, multiple traffic signs are placed side by side).
 - c. Tiny obstacles
 - d. Mirror or transparent objects (such as mirrors, water, and glass).
5. Vision System calibration is required if the aircraft suffers from crashing. Calibrate the Vision System if the DJI Pilot app prompts you to do so.
6. Avoid flying in rainy and foggy weather or other surroundings with low visibility (visibility below 100 m).
7. Keep the sensors of the Vision System and Infrared Sensing System clean at all times.
 - a. Remove the surface film, stickers and other obstructions.
 - b. If there are water drops, fingerprints, dirt, etc., please wipe them clean first (please use a clean cloth, not organic solvents such as alcohol).
 - c. If the surface glass is dropped, broken, scratched, worn, etc., please contact DJI after-sales or local dealer.
8. DO NOT hang or place anything in an area that will block the Vision System, Infrared Sensing System and their observation range.
9. Do not interfere with the Vision System and Infrared Sensing System in any way (for example, using a strong light source to illuminate the Vision System or using specular reflectors towards the infrared sensor), and ensure that the sensor lens is clear and free of stains.
10. The Vision System and Infrared Sensing System are not able to brake and stop the aircraft at a safe distance from an obstacle if the aircraft attitude angle is larger than 25 degrees or the speed exceeds 17 m/s.
11. Please be mindful of blind spots (grey) of the Vision System and Infrared Sensing System. Infrared sensor observation range is 8m.

**CAUTION**

To avoid, serious injury and property damage, observe the following rules:

1. DO NOT fly the aircraft near or inside GEO Zones specified by local laws and regulations. The GEO Zone list includes: airports, borders between two sovereign countries or regions, major cities / regions, etc., and is continuously updated.
2. DO NOT fly the aircraft above the authorized altitude.
3. ALWAYS keep your aircraft within visual line of sight (VLOS), and use an observer to assist if needed.
4. NEVER use the aircraft to carry illegal or dangerous goods/payloads.

NOTICE

1. Make sure you understand the nature/type of your flight operation (such as for recreation, for public use, or for commercial use) and have obtained corresponding approval and clearance from the related government agencies before flight. Consult with your local regulators for comprehensive definitions and specific requirements. For users operating their aircraft in the United States, please first visit <http://www.knowbeforeyoufly.org/> and take action appropriate to your circumstances.
2. Please note that remote-controlled aircraft may be banned from conducting commercial activities in certain countries and regions. Check and follow all applicable laws and ordinances before flying as those rules may differ from those stated here.
3. DO NOT fly around sensitive infrastructure or property such as power stations, water treatment facilities, correctional facilities, heavily traveled roadways, government facilities, military zones, etc.
4. Respect the privacy of others when using the camera. DO NOT conduct surveillance operations such as image capture or video recording on any person, entity, event, performance, exhibition, and property without authorization or where there is an expectation of privacy, even if the image or video is captured for personal use.
5. Please be advised that in certain areas, the recording of images and videos from events, performances, exhibitions, or commercial properties by means of a camera may contravene copyright or other legal rights, even if the image or video was shot for personal use.

Flight Restrictions**NOTICE**

DJI takes flight safety seriously, and has therefore developed various aids to help users fly more safely. These aids do not guarantee that you are compliance with all applicable laws, regulations, and temporary flight restrictions. You are solely responsible for your behavior when flying a DJI aircraft.

It is recommended to update the firmware to the latest version to ensure the following features are fully updated:

GEO Zones

1. All GEO Zones are listed on the DJI official website at <http://www.dji.com/flysafe>. GEO Zones are divided into different categories and include but are not limited to locations such as airports, flying fields where manned aircraft operate at low altitudes, borders between countries, sensitive locations such as power plants, and areas where major events are being held.
2. Flight restrictions vary by zone. Depending on the restrictions in a particular zone, warnings may appear in the DJI Pilot app, takeoff may be forbidden, the flight altitude may be limited, or the aircraft may take action automatically such as landing automatically.
3. Functions related to flying actions will be affected to some extent when the aircraft is near or inside a GEO Zone. These effects include but are not limited to: the aircraft may slow down, it may not be possible to create a flight task, and a flight task in progress may be interrupted.
4. Operating with the GEO Zones restrictions does not guarantee your compliance with all applicable laws, regulations, and temporary flight restrictions. Consult with your lawyer or local authorities to ensure your compliance.

Altitude Limit

1. Fly NO higher than 120 meters (400 feet) above ground level and stay away from any surrounding obstacles. Legal maximum flight altitude may be lower according to your local laws and regulations. Please strictly follow all applicable laws.
2. If you intend to fly above the default altitude limit, you are required to accept the prompted disclaimer to enable the new altitude limit.

Compliance with Regulations & GEO Zones**Regulations****⚠ WARNING**

To avoid non-compliant behavior, serious injury, and property damage, observe the following rules:

1. DO NOT operate in the vicinity of manned aircraft, regardless of altitude. Land immediately if necessary.
2. DO NOT fly the aircraft in areas where large events are being held, including but not limited to sporting events and concerts.
3. DO NOT fly the aircraft in areas prohibited by local laws.
4. DO NOT fly the aircraft above the authorized altitude. Remain well clear of and DO NOT interfere with manned aircraft operations. Be aware of and avoid other aircraft and obstacles at all times.

Compliance Information

FCC Compliance Notice

This device complies with Part 15 of the FCC Rules. Operation is subject to the following two conditions: (1) This device may not cause harmful interference, and (2) This device must accept any interference received, including interference that may cause undesired operation.

Any changes or modifications not expressly approved by the party responsible for compliance could void the user's authority to operate the equipment.

This equipment has been tested and found to comply with the limits for a Class B digital device, pursuant to part 15 of the FCC Rules. These limits are designed to provide reasonable protection against harmful interference in a residential installation. This equipment generates, uses and can radiate radio frequency energy and, if not installed and used in accordance with the instructions, may cause harmful interference to radio communications. However, there is no guarantee that interference will not occur in a particular installation. If this equipment does cause harmful interference to radio or television reception, which can be determined by turning the equipment off and on, the user is encouraged to try to correct the interference by one or more of the following measures:

- Reorient or relocate the receiving antenna.
- Increase the separation between the equipment and receiver.
- Connect the equipment into an outlet on a circuit different from that to which the receiver is connected.
- Consult the dealer or an experienced radio/TV technician for help.

RF Exposure Information

This equipment complies with FCC radiation exposure limits set forth for an uncontrolled environment. End user must follow the specific operating instructions for satisfying RF exposure compliance.

This transmitter must not be co-located or operating in conjunction with any other antenna or transmitter.

This equipment should be installed and operated with minimum distance 20cm between the radiator & your body.

ISED Compliance Notice

This device contains licence-exempt transmitter(s)/receiver(s) that comply with Innovation, Science and Economic Development Canada's licence-exempt RSS(s). Operation is subject to the following two conditions: (1) This device may not cause interference. (2) This device must accept any interference, including interference that may cause undesired operation of the device.

L'émetteur/récepteur exempt de licence contenu dans le présent appareil est conforme aux CNR d'Innovation, Sciences et Développement économique Canada applicables aux appareils radio exempts de licence. L'exploitation est autorisée aux deux conditions suivantes: (1) L'appareil ne doit pas produire de brouillage; (2) l'appareil doit accepter tout brouillage radioélectrique subi, même si le brouillage est susceptible d'en compromettre le fonctionnement.

This equipment complies with ISED radiation exposure limits set forth for an uncontrolled environment. End user must follow the specific operating instructions for satisfying RF exposure compliance.

This transmitter must not be co-located or operating in conjunction with any other antenna or transmitter.

This equipment should be installed and operated with minimum distance 20cm between the radiator & your body.

Cet équipement est conforme aux limites d'exposition aux rayonnements ISED établies pour un environnement non contrôlé. L'utilisateur final doit suivre les instructions spécifiques pour satisfaire les normes. Cet émetteur ne doit pas être co-implanté ou fonctionner en conjonction avec toute autre antenne ou transmetteur.

Cet équipement doit être installé et utilisé à une distance minimale de 20 cm entre le radiateur et votre corps.

部件名称	有害物质					
	铅 (Pb)	汞 (Hg)	镉 (Cd)	六价铬 (Cr ⁶⁺)	多溴联苯 (PBB)	多溴二苯醚 (PBDE)
线路板	×	○	○	○	○	○
外壳	×	○	○	○	○	○
金属部件 (铜合金)	×	○	○	○	○	○
内部线材	×	○	○	○	○	○
其他配件	×	○	○	○	○	○

本表格依据 SJ/T 11364 的规定编制。
 ○：表示该有害物质在该部件所有均质材料中的含量均在 GB/T 26572 规定的限量要求以下。
 ×：表示该有害物质至少在该部件的某一均质材料中的含量超出 GB/T 26572 规定的限量要求。(产品符合欧盟 RoHS 指令环保要求)

KCC Compliance Notice

"해당 무선설비는 운용 중 전파혼신 가능성이 있으므로 인명안전과 관련된 서비스는 할 수 없습니다."

"해당 무선설비는 운용 중 전파혼신 가능성이 있음"

NCC Compliance Notice

低功率電波輻射性電機管理辦法

第十二條 經型式認證合格之低功率射頻電機，非經許可，公司、商號或使用者均不得擅自變更頻率、加大功率或變更原設計之特性及功能。

第十四條 低功率射頻電機之使用不得影響飛航安全及干擾合法通信；經發現有干擾現象時，應改善至無干擾時方得繼續使用。前項合法通信，指依電信法規定作業之無線電通信。低功率射頻電機須忍受合法通信或工業、科學及醫療用電波輻射性電機設備之干擾。

注意：

應避免影響附近系統之操作。

高增益指向性天線只准應用於固定式點對點系統。

單元 Unit	限制用物質及其化學結構					
	鉛 (Pb)	汞 (Hg)	鎘 (Cd)	六價鉻 Hexavalent chromium (Cr ⁶⁺)	多溴聯苯 Polychlorinated biphenyls (PCBs)	多溴二苯醚 Polychlorinated diphenyl ethers (PBDE)
線路板	○	○	○	○	○	○
外殼	○	○	○	○	○	○
排針	○	○	○	○	○	○
其他	○	○	○	○	○	○

備考 1. "超出 0.1 wt %" 及 "超出 0.01 wt %" 係指限制用物質之百分比含量超出百分比含量基準值。
 備考 2. "○" 係指該項限制用物質之百分比含量未超出百分比含量基準值。
 備考 3. "—" 係指該項限制用物質未排除項目。

EU Compliance Statement: SZ DJI TECHNOLOGY CO., LTD. hereby declares that this device is in compliance with the essential requirements and other relevant provisions of the Directive 2014/53/EU.

A copy of the EU Declaration of Conformity is available online at www.dji.com/euro-compliance

EU contact address: DJI GmbH, Industriestrasse 12, 97618, Niederlauer, Germany

Declaración de cumplimiento UE: SZ DJI TECHNOLOGY CO., LTD. por la presente declara que este dispositivo cumple los requisitos básicos y el resto de provisiones relevantes de la Directiva 2014/53/EU.

Hay disponible online una copia de la Declaración de conformidad UE en www.dji.com/euro-compliance

Dirección de contacto de la UE: DJI GmbH, Industriestrasse 12, 97618, Niederlauer, Germany

EU-verklaring van overeenstemming: SZ DJI TECHNOLOGY CO., LTD. verklaart hierbij dat dit apparaat voldoet aan de essentiële vereisten en andere relevante bepalingen van Richtlijn 2014/53/EU.

De EU-verklaring van overeenstemming is online beschikbaar op www.dji.com/euro-compliance

Contactadres EU: DJI GmbH, Industriestrasse 12, 97618, Niederlauer, Germany

Declaração de conformidade da UE: A SZ DJI TECHNOLOGY CO., LTD. declara, através deste documento, que este dispositivo está em conformidade com os requisitos essenciais e outras disposições relevantes da Diretiva 2014/53/EU.

Existe uma cópia da Declaração de conformidade da UE disponível online em www.dji.com/euro-compliance

Endereço de contacto na UE: DJI GmbH, Industriestrasse 12, 97618, Niederlauer, Germany

Dichiarazione di conformità UE: SZ DJI TECHNOLOGY CO., LTD. dichiara che il presente dispositivo è conforme ai requisiti essenziali e alle altre disposizioni rilevanti della direttiva 2014/53/EU.

Una copia della dichiarazione di conformità UE è disponibile online all'indirizzo www.dji.com/euro-compliance

Indirizzo di contatto UE: DJI GmbH, Industriestrasse 12, 97618, Niederlauer, Germany

Déclaration de conformité UE: Par la présente, SZ DJI TECHNOLOGY CO., LTD déclare que cet appareil est conforme aux principales exigences et autres clauses pertinentes de la directive européenne 2014/53/EU.

Une copie de la déclaration de conformité UE est disponible sur le site www.dji.com/euro-compliance

Adresse de contact pour l'UE : DJI GmbH, Industriestrasse 12, 97618, Niederlauer, Germany

EU-Compliance: Hiermit erklärt SZ DJI TECHNOLOGY CO., LTD., dass dieses Gerät den wesentlichen Anforderungen und anderen einschlägigen Bestimmungen der EU-Richtlinie 2014/53/EU entspricht.

Eine Kopie der EU-Konformitätserklärung finden Sie online auf www.dji.com/euro-compliance.

Kontaktadresse innerhalb der EU: DJI GmbH, Industriestrasse 12, 97618, Niederlauer, Germany

Декларация за съответствие на ЕС: SZ DJI Technology Co., Ltd. декларира, че това устройство отговаря на основните изисквания и другите приложими разпоредби на Директива 2014/53/ЕС.



Kopije ot Deklaracijata za съответствие на ЕС ще намирате онлайн на адрес www.dji.com/euro-compliance

Адрес за контакт за ЕС: DJI GmbH, Industriestrasse 12, 97618, Niederlauer, Германия

Prohlášení o shodě pro EU: Společnost SZ DJI Technology Co., Ltd. tímto prohlašuje, že tohle zařízení vyhovuje základním požadavkům a dalším příslušným ustanovením směrnice 2014/53/EU.

Kopie prohlášení o shodě pro EU je k dispozici on-line na webu www.dji.com/euro-compliance

Kontaktní adresa v EU: DJI GmbH, Industriestrasse 12, 97618, Niederlauer, Německo

EU-oversenstømmelseserklæring: SZ DJI Technology Co., Ltd. erklærer hermed, at denne enhed er i overensstemmelse med de væsentlige krav og andre relevante bestemmelser i direktiv 2014/53/EU.

Der er en kopi af EU-oversenstømmelseserklæringen tilgængelig online på www.dji.com/euro-compliance

EU-kontaktadresse: DJI GmbH, Industriestrasse 12, 97618, Niederlauer, Tyskland

Δήλωση Συμμόρφωσης EE: Η SZ DJI Technology Co., Ltd. δια του παρόντος δηλώνει ότι η συσκευή αυτή συμμορφώνεται με τις βασικές απαιτήσεις και άλλες σχετικές διατάξεις της Οδηγίας 2014/53/ΕΕ.

Αντίγραφο της Δήλωσης Συμμόρφωσης EE διατίθεται ηλεκτρονικά στη διεύθυνση www.dji.com/euro-compliance

Διεύθυνση επικοινωνίας στην ΕΕ: DJI GmbH, Industriestrasse 12, 97618, Niederlauer, Γερμανία

EU vastavusmõistmuse erklõrused: SZ DJI Technology Co., Ltd., et see seade on kooskõlas direktiivi 2014/53/EL olulistele nõuetele ja muude asjakohaste sätetega.

EU vastavusdeklaratsioonid kopia on kättesaadav veebis aadressil www.dji.com/euro-compliance

Kontaktadress ELis: DJI GmbH, Industriestrasse 12, 97618, Niederlauer, Saksamaa

Pranešimas dėl atitikties ES reikalavimams Bendrovė „SZ DJI Technology Co., Ltd.“ tvirtina, kad šis prietaisas atitinka pagrindinius 2014/53/ES direktyvos reikalavimus ir kitas susijusias nuostatas.

ES atitikties deklaracijos kopija galite rasti adresu www.dji.com/euro-compliance

ES kontaktinis adresas: „DJI GmbH“, Industriestrasse 12, 97618, Niederlauer, Germany (Vokietija)

ES atbilstības paziņojums: SZ DJI Technology Co., Ltd. ar šo apliecina, ka šī ierīce atbilst direktīvas 2014/53/ES pamatprasībām un pārējiem būtiskiem nosacījumiem.

ES atbilstības deklarācijas kopija pieejama tiešsaistē vietnē www.dji.com/euro-compliance

ES kontaktadrese: DJI GmbH, Industriestrasse 12, 97618, Niederlauer, Vācija

EU:n vaatimustenmukaisuusvakuutus: SZ DJI Technology Co., Ltd. ilmoittaa täten, että tämä laite on direktiivin 2014/53/EU olennainen vaatimusten ja sen muiden asiaankuuluvien ehtojen mukainen.

Kopio EU:n vaatimustenmukaisuusvakuutuksesta on saatavana verkossa osoitteessa www.dji.com/euro-compliance

Yhteyshetiedot EU:ssa: DJI GmbH, Industriestrasse 12, 97618, Niederlauer, Germany

RÁITEAS Comhlíonta an AE: Dearbhainn SZ DJI Technology Co., Ltd. leis seo go bhfuil an gléas seo de réir na ceanglas riachtanach agus na bhforálacha ábhartha eile sa Treoir 2014/53/AE.

Tá cóip de Dhearbhú Comhréireachta an AE ar fáil ar líne ag www.dji.com/euro-compliance

Seoladh teagmhála san AE: DJI GmbH, Industriestrasse 12, 97618, Niederlauer, Germany

Dikjarazjoni ta' Konformità tal-UE: SZ DJI Technology Co., Ltd. hawnhekk tididkjarja li dan I-apparat huwa konformi mar-reqwizitti essenzjali ta' ma' dispozizzjonijiet rilevanti oħra tad-Direttiva 2014/53/EU.

Kopja tad-Dikjarazjoni ta' Konformità tal-UE hija disponibbli onlajn fis-sit www.dji.com/euro-compliance

Indirizz ta' kullant tal-UE: DJI GmbH, Industriestrasse 12, 97618, Niederlauer, il-Germanja

Declaratija UE de conformitate: Prin prezenta, SZ DJI Technology Co., Ltd. declarã faptul cã acest dispozitiv este conform cu cerințele esențiale și celelalte prevederi relevante ale Directivei 2014/53/EU.

Un exemplar al Declarației UE de conformitate este disponibil online, la adresa www.dji.com/euro-compliance

Adresa de contact pentru UE: DJI GmbH, Industriestrasse 12, 97618, Niederlauer, Germania

Izjava EU o skladnosti: Družba SZ DJI Technology Co., Ltd. izjavlja, da ta naprava ustreza osnovnim zahtevam in drugim ustreznim določbam Direktive 2014/53/EU.

Kopija izjave EU o skladnosti je na voljo na spletni nalog www.dji.com/euro-compliance

Kontaktni naslov EU: DJI GmbH, Industriestrasse 12, 97618, Niederlauer, Nemčija

EU Izjava o skladnosti: Tvrtka SZ DJI Technology Co. Ltd. izjavljuje da je ovaj uređaj izrađen u skladu s osnovnim zahtjevima i ostalim relevantnim odredbama Direktive 2014/53/EU.

Kopija EU Izjave o skladnosti dostupna je na mrežnoj stranici www.dji.com/euro-compliance

Adresa EU kontakta: DJI GmbH, Industriestrasse 12 97618, Niederlauer, Njemačka

Vyhlasenie o zhode EU: SZ DJI Technology Co., Ltd. týmto vyhlasuje, že toto zariadenie je v zhode so základnými požiadavkami a ďalšími relevantnými ustanoveniami smernice 2014/53/EU.

Kópia tohto Vyhlasenia o zhode EU je k dispozícii online na www.dji.com/euro-compliance

Kontaktná adresa v EÚ: DJI GmbH, Industriestrasse 12, 97618, Niederlauer, Nemecko

Deklaracija zgodnosti UE: Firma SZ DJI Technology Co., Ltd. niniejszym oświadczam, że przedmiotowe urządzenie jest zgodne z zasadniczymi wymogami i innymi stosownymi postanowieniami dyrektywy 2014/53/UE.

Kopje deklaracji zgodności UE można znaleźć w Internecie na stronie www.dji.com/euro-compliance

Adres do kontaktu w UE: DJI GmbH, Industriestrasse 12, 97618, Niederlauer, Niemcy

EU meglefelelősi nyilatkozat: A DJI Technology Co., Ltd. ezúton megerősíti, hogy ez az eszköz megfelel a 2014/53/EU irányelv alapvető követelményeinek és más vonatkozó rendelkezésének.

Az EU meglefelelősi nyilatkozat másolata elérhető a www.dji.com/euro-compliance oldalon

EU kapcsolati cím: DJI GmbH, Industriestrasse 12, 97618, Niederlauer, Németország

EU-förskrån om efterlevnad: SZ DJI Technology Co., Ltd. härmed förklarar att denna enhet uppfyller de väsentliga kraven och andra relevanta bestämmelser i direktivet 2014/53/EU.

En kopia av EU-förskrån om efterlevnad finns att tillgå online på adressen www.dji.com/euro-compliance

Kontaktadress EU: DJI GmbH, Industriestrasse 12, 97618, Niederlauer, Tyskland

Yfirlýsing um fylgni við reglug ESB: SZ DJI Technology Co., Ltd. lýsir hér með yfir að þetta tæki hliði mikilvægum kröfum og öðrum viðeigandi ákvæðum tilskipunar 2014/53/ESB.

Nálágast má einkta af ESB-samræmisyfirlýsingunni á netinu á www.dji.com/euro-compliance

Heimilisfang ESB-tengiliðar: DJI GmbH, Industriestrasse 12, 97618, Niederlauer, Germany

AB Uygunluk Beyanı: SZ DJI Technology Co., Ltd. bu belge ile bu cihazın temel gerekliliklere ve 2014/53/EU sayılı Direktifin diğer ilgili hükümlerine uygun olduğunu beyan eder.

AB Uygunluk Beyanının bir kopyasını www.dji.com/euro-compliance adresinden çevrimiçi olarak ulaşabilirsiniz.

AB için iletişim adresi: DJI GmbH, Industriestrasse 12, 97618, Niederlauer, Almanya



Environmentally friendly disposal

Old electrical appliances must not be disposed of together with the residual waste, but have to be disposed of separately. The disposal at the communal collecting point via private persons is for free. The owner of old appliances is responsible to bring the appliances to these collecting points or to similar collection points. With this little personal effort, you contribute to recycle valuable raw materials and the treatment of toxic substances.

Umweltfreundliche Entsorgung

Elektro-Algeräte dürfen nicht mit gewöhnlichem Abfall entsorgt werden und müssen separat entsorgt werden. Die Entsorgung an kommunalen Sammelstellen ist für Privatpersonen kostenlos. Die Eigentümer der Algeräte sind für den Transport zu den Sammelstellen verantwortlich. Durch diesen geringen Aufwand können Sie zur Wiederverwertung von wertvollen Rohmaterialien beitragen und dafür sorgen, dass umweltschädliche und giftige Substanzen ordnungsgemäß unschädlich gemacht werden.

Tratamiento de residuos responsable con el medio ambiente

Los aparatos eléctricos viejos no pueden desecharse junto con los residuos orgánicos, sino que deben ser desechados por separado. Existen puntos limpios donde los ciudadanos pueden dejar estos aparatos gratis. El propietario de los aparatos viejos es responsable de llevarlos a estos puntos limpios o similares puntos de recogida. Con este pequeño esfuerzo estás contribuyendo a reciclar valiosas materias primas y al tratamiento de residuos tóxicos.

Mise au rebut écologique

Les appareils électriques usagés ne doivent pas être éliminés avec les déchets résiduels. Ils doivent être éliminés séparément. La mise au rebut au point de collecte municipal par l'intermédiaire de particuliers est gratuite. Il incombe au propriétaire des appareils usagés de les apporter à ces points de collecte ou à des points de collecte similaires. Avec ce petit effort personnel, vous contribuez au recyclage de matières premières précieuses et au traitement des substances toxiques.

Smaltimento ecologico

I vecchi dispositivi elettrici non devono essere smaltiti insieme ai rifiuti residui,

DJI Support
DJI 技术支持
DJI 技術支援
DJI サポート
DJI 고객지원
DJI Support
Servicio de asistencia de DJI
Service client DJI
Assistenza DJI
DJI-ondersteuning
Assistência da DJI
Suporte DJI
Техническая поддержка DJI

<http://www.dji.com/support>

This content is subject to change.

Download the latest version from
www.dji.com/matrice-300

If you have any questions about this document, please contact DJI by
sending a message to **DocSupport@dji.com**.

MATRICE is a trademark of DJI.
Copyright © 2020 DJI All Rights Reserved.

Printed in China.



3GMOTRMA02