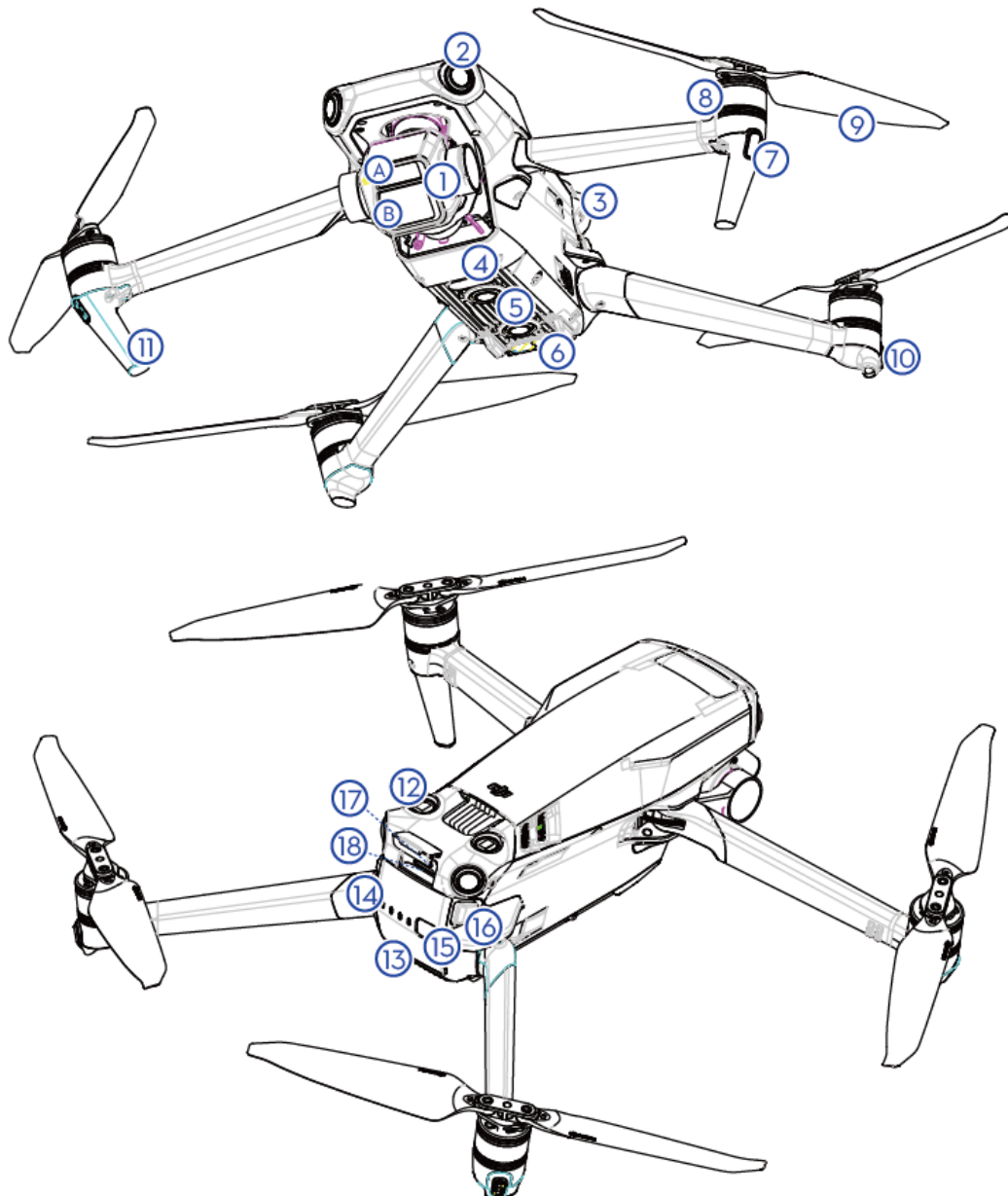


# Mavic 3 Cine Quick Start Guide

v1.0 2021.07

## Aircraft

The MAVIC™ 3 features Omnidirectional Obstacle Sensing, an Infrared Sensing System, and a fully stabilized 3-axis gimbal with both telephoto and wide camera that can shoot up to 5.2K video and 20-megapixel photos. DJI signature technologies such as Obstacle Avoidance and Intelligent Flight Modes like HyperLapse, ActiveTrack, QuickShot, Panorama, and Advanced Pilot Assistance Systems, help you capture complex shots effortlessly.

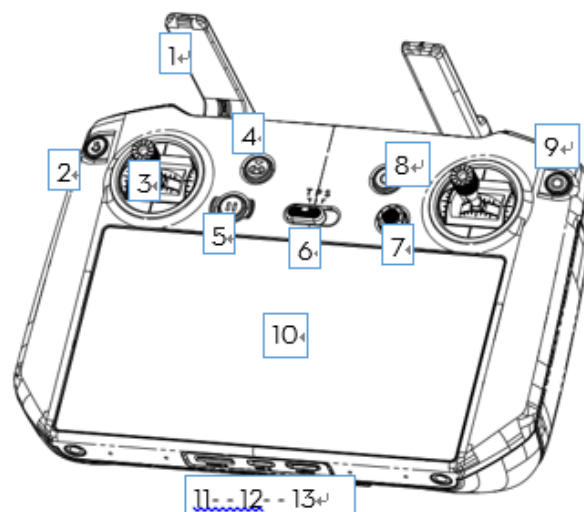


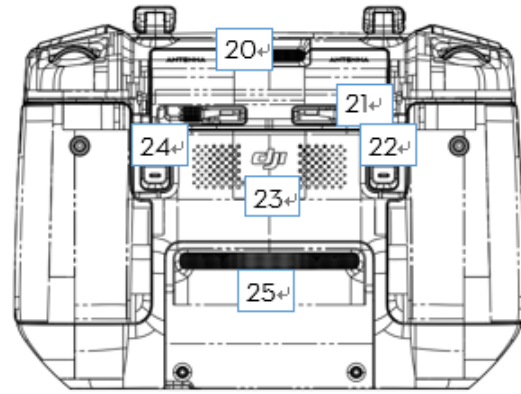
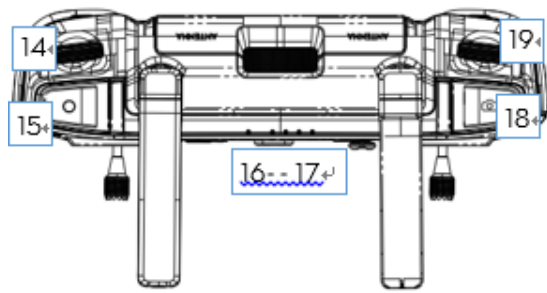
1. Gimbal and Camera
  - A. Telephoto Camera
  - B. Wide Camera
2. Forward Vision System
3. Backward Vision System
4. Auxiliary Bottom Light
5. Downward Vision System
6. Infrared Sensing System
7. Front LEDs
8. Motors
9. Propellers
10. Aircraft Status Indicator
11. Landing Gear (antennas included)
12. Upward Vision System
13. Intelligent Flight Battery
14. Battery Level LEDs
15. Power Button
16. Battery Buckles
17. Charging/Upgrading Port (USB-C)
18. microSD Card Slot

## Remote Controller

The DJI Smart Controller V2.0 features O3, the latest version of DJI's signature OCUSYNCTM image transmission technology, and can transmit a live HD view from the camera of an aircraft at a distance of up to 15 km. Users can connect to the internet via Wi-Fi or by using a 4G dongle and the Android operating system comes with a variety of functions such as Bluetooth and GNSS.

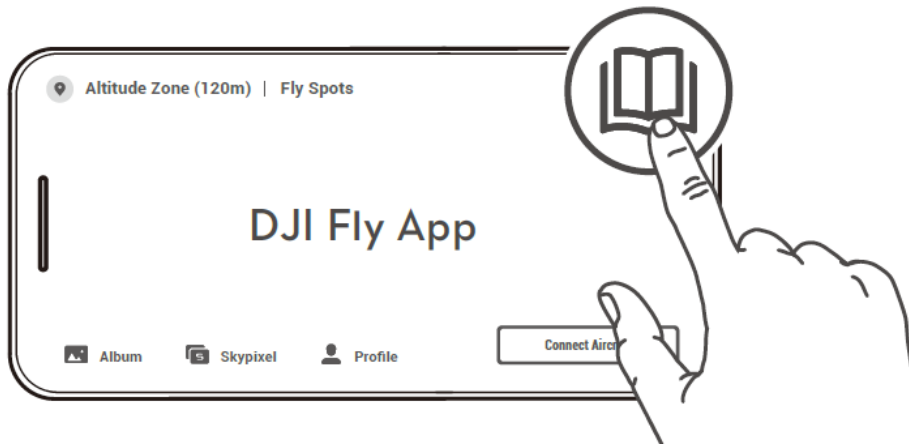
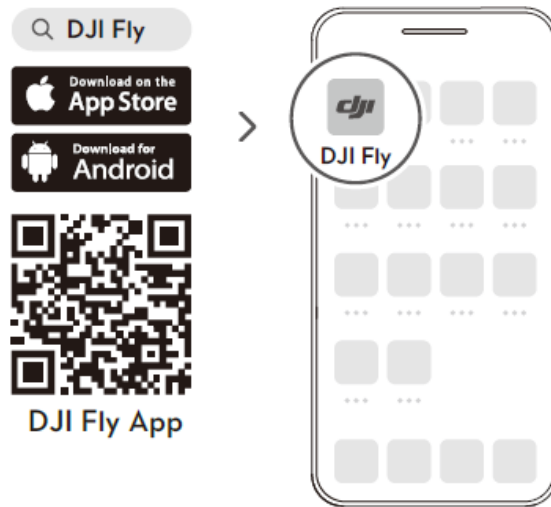
The built-in 5.5-in high brightness 1000 cd/m<sup>2</sup> screen boasts a resolution of 1920×1080 pixels while the remote controller comes with a wide range of aircraft and gimbal controls as well as customizable buttons and has a maximum operating time of 3 hours.



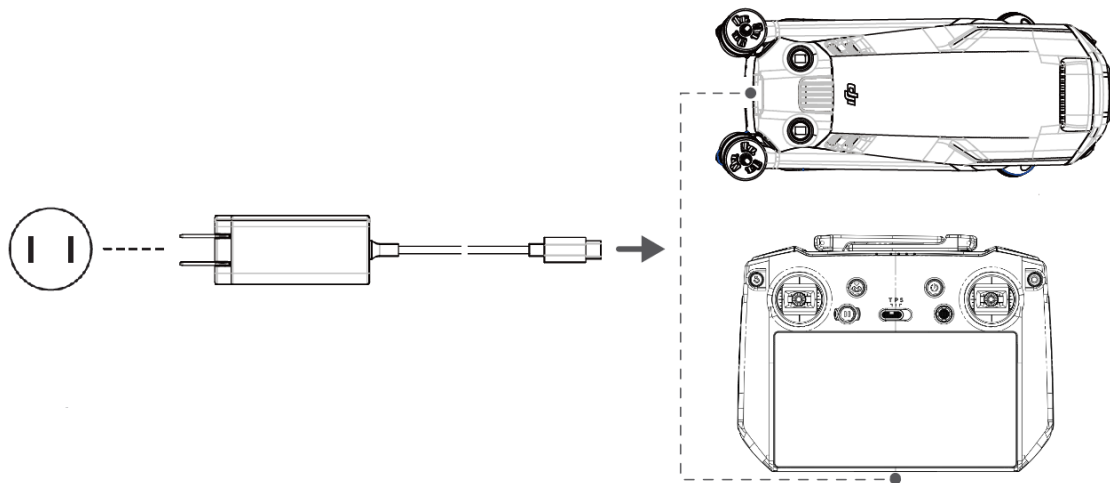


1. Antennas
2. Back Button/Function Button
3. Control Sticks
4. RTH Button
5. Flight Pause Button
6. Flight Mode Switch
7. 5D Button
8. Power Button
9. Confirm Button/Customizable Button C3
10. Touchscreen
11. microSD Card Slot
12. USB-C Port
13. Mini HDMI Port
14. Gimbal Dial
15. Record Button
16. Status LED
17. Battery Level LEDs
18. Focus/Shutter Button
19. Camera Settings Dial
20. Air Vent
21. Control Sticks Storage Slots
22. Customizable C1 Button
23. Speaker
24. Customizable C2 Button
25. Air Intake

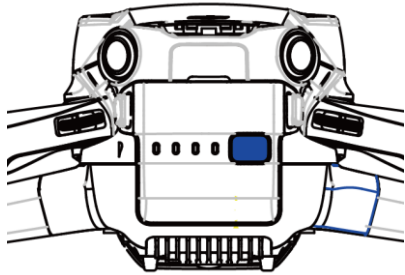
## Download the DJI Fly App and Watching Tutorial Videos



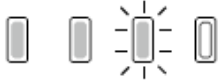
## Charging the Batteries



## Checking the Battery Levels and Powering On/Off



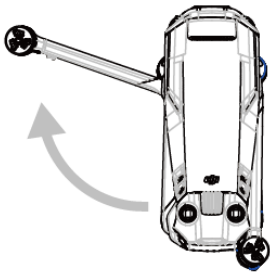
Low ● Battery → High



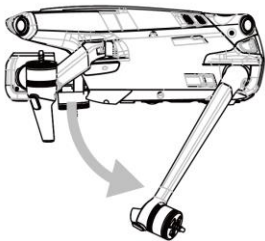
Press once to check the battery level.  
Press, then press and hold to turn on/off.

## Preparing the Aircraft

1. Unfold the front arms and the propellers.



2. Unfold the rear arms and the propellers.



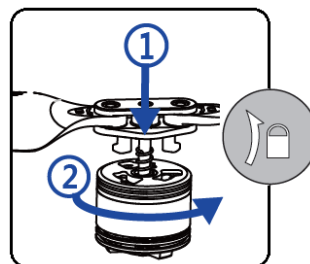
3. Match the propellers to motors. Press the propellers down firmly and rotate in the lock direction.



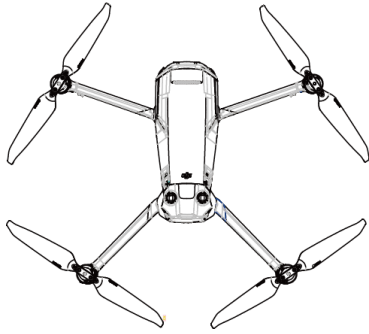
Marked



Unmarked



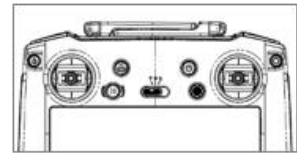
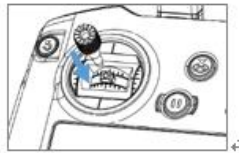
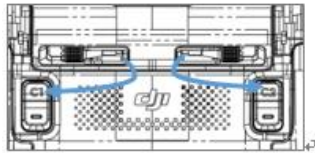
4. Unfolded



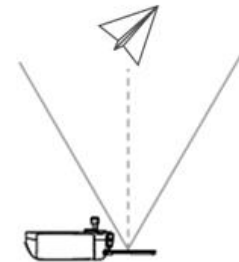
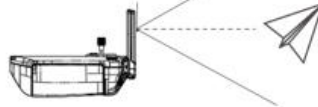
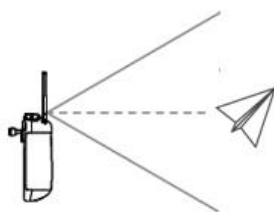
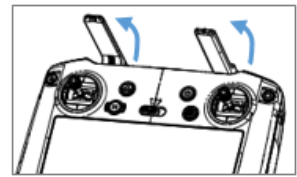
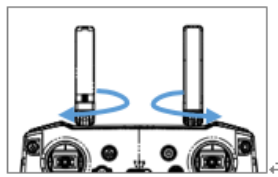
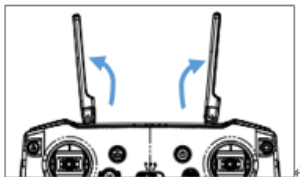
Unfold the front arms and the propellers before the rear ones. All arms and propellers must be unfolded before takeoff.

## Preparing the Remote Controller

1. Remove the control sticks from the storage slots, then attach the control sticks.



2. Unfold the antennas.



- Ensure the control sticks are firmly mounted.

## Preparing for Takeoff

1. Power on the remote controller



2. Power on the aircraft



3. Launch DJI Fly App



## Flight

- Auto Takeoff / Landing



Auto Takeoff



Auto Landing

- Manual Takeoff / Landing

Combination stick command to start/stop the motors



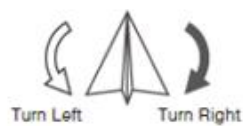
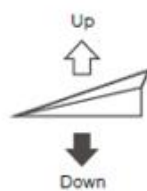
Left stick up (slowly) to take off



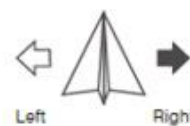
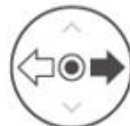
Left stick down (slowly) until you touch the ground  
Hold a few seconds to stop the motors

- Remote Controller Operation

Left Stick



Right Stick



# Specifications

- Aircraft (Model: L2P/L2A)**

Takeoff Weight	< 920 g
Max Flight Time	46 minutes (0 wind while flying at a consistent 15.5 mph (25 kph))
Operating Temperature	14° to 104°F (-10° to 40°C)
Operating Frequency	2.400-2.4835 GHz; 5.725-5.850 GHz
Transmitter Power	2.4GHz: ≤28.83 dBm (FCC), ≤20 dBm (CE/SRRC/MIC) 5.8GHz: ≤29.9 dBm (FCC), ≤14 dBm (CE), ≤29 dBm (SRRC)
<b>Wi-Fi</b>	
Protocol	WiFi Direct, Wi-Fi Display, 802.11b/a/g/n/ac/ax 2x2 MIMO
Operation Frequency	2.400-2.4835 GHz; 5.725-5.850 GHz
Transmission Power	2.4 GHz: ≤20.11 dBm (FCC); ≤18.5 dBm (CE/SRRC/MIC/KCC) 5.8 GHz: ≤19.11 dBm (FCC/SRRC); ≤12.5 dBm (CE/KCC)
<b>Bluetooth</b>	
Protocol	Bluetooth 5.1
Operation Frequency	2.400-2.4835 GHz
Transmission Power	≤5.98 dBm

- Camera**

Sensor	<b>Telephoto Camera</b> 1/2" CMOS; Effective pixels: 12M <b>Wide Camera</b> 4/3" CMOS; Effective pixels: 20M
Lens	<b>Telephoto Camera</b> FOV: 15° 35mm format equivalent: 160 mm Aperture: f/4.4 Focus: 3 m to ∞  <b>Wide Camera</b> FOV: 84° 35mm format equivalent: 24 mm Aperture: f/2.8-f/11 Focus: 1 m to ∞
ISO Range	<b>Telephoto Camera</b> Video: 100-3200 (auto) Photo: 100-3200 (auto)  <b>Wide Camera</b> Video: 100-6400 Photo: 100-3200 (auto), 100-12800 (manual)
Shutter Speed	<b>Telephoto Camera</b>



	Electronic: 1-1/8000 s  <b>Wide Camera</b> Mechanic: 8-1/2000 s Electronic: 8-1/8000 s
--	--

• **Remote Controller (Model: RM510)**

Weight	Approx. 750 g
Battery	18650 Li-ion (5000 mAh @ 7.2 V)
<b>OcuSync 3.0</b>	
Operation Frequency	2.400-2.4835 GHz; 5.725-5.850 GHz
Transmission Power	2.4GHz: ≤31.5 dBm (FCC), ≤20 dBm (CE/SRRC/MIC) 5.8GHz: ≤32 dBm (FCC), ≤14 dBm (CE), ≤21 dBm (SRRC)
<b>Wi-Fi</b>	
Protocol	WiFi Direct, Wi-Fi Display, 802.11b/a/g/n/ac/ax 2x2 MIMO
Operation Frequency	2.400-2.4835 GHz; 5.725-5.850 GHz
Transmission Power	2.4 GHz: ≤23 dBm (FCC); ≤18.5 dBm (CE/SRRC/MIC/KCC) 5.8 GHz: ≤24 dBm (FCC/SRRC); ≤12.5 dBm (CE/KCC)
<b>Bluetooth</b>	
Protocol	Bluetooth 5.1
Operation Frequency	2.400-2.4835 GHz
Transmission Power	≤6 dBm

• **Intelligent Flight Battery**

Capacity	5000 mAh
Battery Type	LiPo 4S
Energy	77 Wh
Charging Temperature	41° to 113°F (5° to 45°C)
Max Charging Power	88 W

**For more information, read the User Manual:** <http://www.dji.com/mavic-3>

※ This content is subject to change without prior notice.

[FCC compliance statement](#)

This device complies with Part 15 of the FCC Rules. Operation is subject to the following two conditions: (1) this device may not cause harmful interference, and (2) this device must accept any interference received, including interference that may cause undesired operation.

changes or modifications not expressly approved by the party responsible for compliance could void the user's authority to operate the equipment.

This equipment has been tested and found to comply with the limits for a Class B digital device, pursuant to Part 15 of the FCC Rules. These limits are designed to provide reasonable protection against harmful interference in a residential installation. This equipment generates, uses and can radiate radio frequency energy and, if not installed and used in accordance with the instructions, may cause harmful interference to radio communications. However, there is no guarantee that interference will not occur in a particular installation.

If this equipment does cause harmful interference to radio or television reception, which can be determined by turning the equipment off and on, the user is encouraged to try to correct the interference by one or more of the following measures:

- Reorient or relocate the receiving antenna.
- Increase the separation between the equipment and receiver.
- Connect the equipment into an outlet on a circuit different from that to which the receiver is connected.
- Consult the dealer or an experienced radio/TV technician for help.

#### ISED compliance statement

This device contains licence-exempt transmitter(s)/receiver(s) that comply with Innovation, Science and Economic Development Canada's licence-exempt RSS(s). Operation is subject to the following two conditions:

- (1) This device may not cause interference.
- (2) This device must accept any interference, including interference that may cause undesired operation of the device.

L'émetteur/récepteur exempt de licence contenu dans le présent appareil est conforme aux CNR d'Innovation, Sciences et Développement économique Canada applicables aux appareils radio exempts de licence.

L'exploitation est autorisée aux deux conditions suivantes :

- (1) L'appareil ne doit pas produire de brouillage;
- (2) L'appareil doit accepter tout brouillage radioélectrique subi, même si le brouillage est susceptible d'en compromettre le fonctionnement.

- **For Aircraft (Model: L2P/L2A)**
- This equipment complies with FCC/IC RSS-102 radiation exposure limits set forth for an uncontrolled environment. This equipment should be installed and operated with minimum distance 20 cm between the radiator and your body.
- Cet équipement est conforme aux limites d'exposition aux radiations FCC/IC CNR-102 établies pour un environnement non contrôlé. Cet équipement doit être installé et utilisé avec une distance minimale de 20cm entre le radiateur et votre corps.
- **For Remote Controller (Model: RM510)**

This equipment complies with FCC radiation exposure limits set forth for an uncontrolled environment. End user must follow the specific operating instructions for satisfying RF exposure compliance. This transmitter must not be co-located or operating in conjunction with any other antenna or transmitter.

The portable device is designed to meet the requirements for exposure to radio waves established by the Federal Communications Commission (USA). These requirements set a SAR limit of 4W/kg averaged over 10 gram of tissue. The highest SAR value reported under this standard during product certification for extremity condition.

This equipment complies with ISED radiation exposure limits set forth for an uncontrolled environment. End user must follow the specific operating instructions for satisfying RF exposure compliance. This transmitter must not be co-located or operating in conjunction with any other antenna or transmitter.

The portable device is designed to meet the requirements for exposure to radio waves established by the ISED. These requirements set a SAR limit of 4W/kg averaged over 10 gram of tissue. The highest SAR value reported under this standard during product certification for extremity condition.

Cet équipement est conforme aux limites d'exposition aux rayonnements de l'ised pour les environnements non contrôlés. L'utilisateur final doit se conformer à des instructions d'exploitation spécifiques afin de respecter la conformité à l'exposition aux radiofréquences. Cet émetteur ne doit pas être au même endroit ni fonctionner avec une autre antenne ou un autre émetteur.