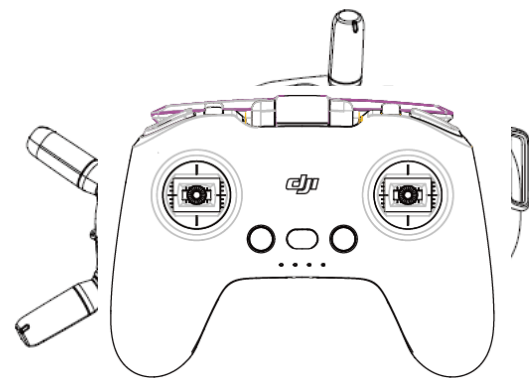
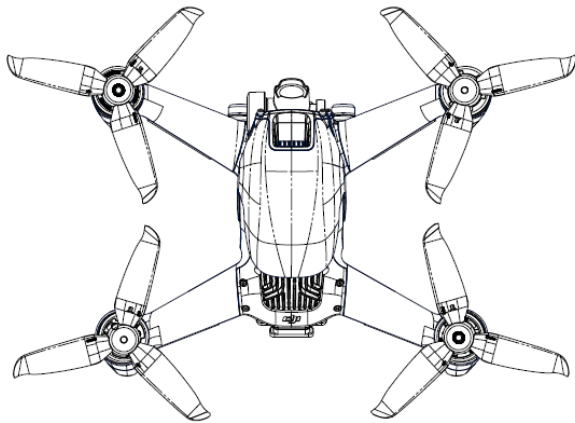


DJI FPV

(Aircraft model:FD1W4K, Goggles model:FGDB28, Remote controller model:
FC7BGC)

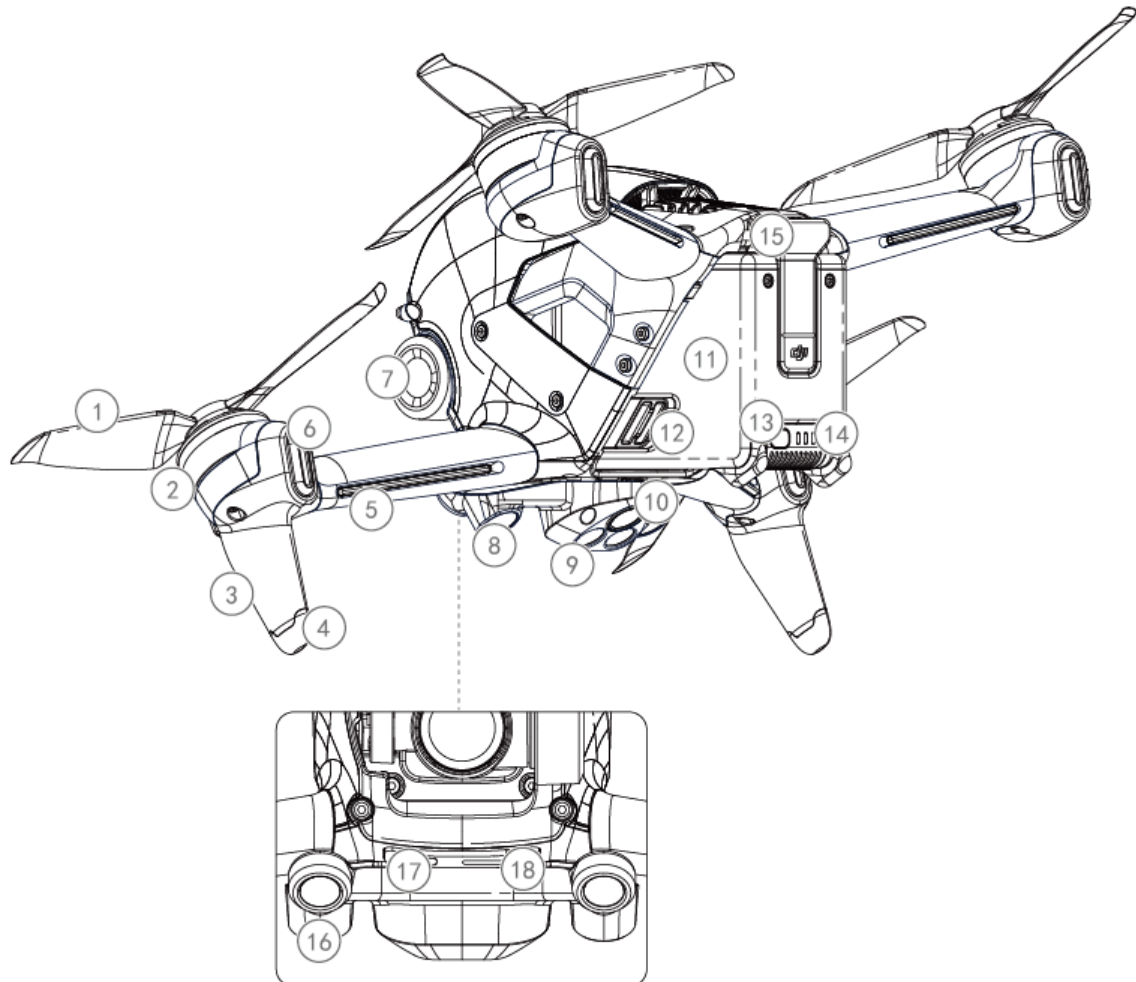
Quick Start Guide

v1.0



Introduction

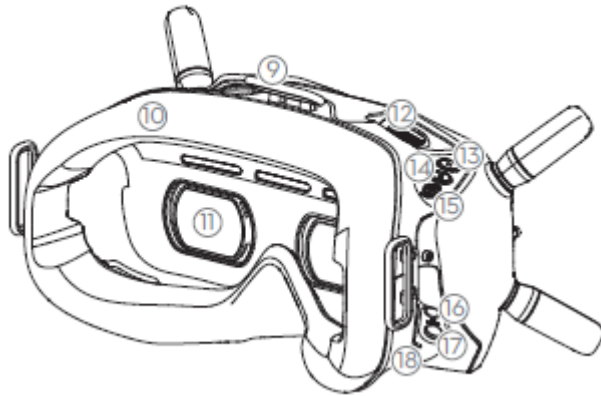
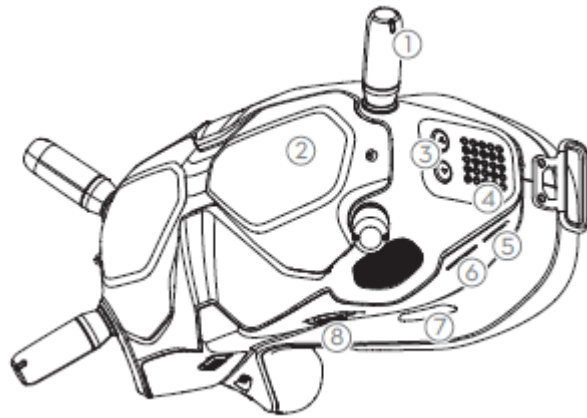
Aircraft



- | | |
|--------------------------------------|--------------------------------|
| 1. Propellers | 10. Auxiliary Light |
| 2. Motors | 11. Intelligent Flight Battery |
| 3. Front LEDs | 12. Battery Buckles |
| 4. Landing Gears (Built-in antennas) | 13. Power Button |
| 5. Frame Arm Light | 14. Battery Level LEDs |
| 6. Aircraft Status Indicators | 15. Battery Port |
| 7. Gimbal and Camera | 16. Forward Vision System |
| 8. Downward Vision System | 17. USB-C Port |
| 9. Infrared Sensing System | 18. microSD Card Slot |

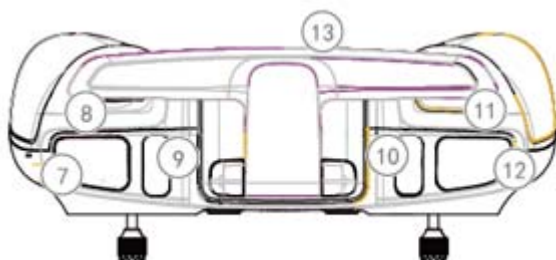
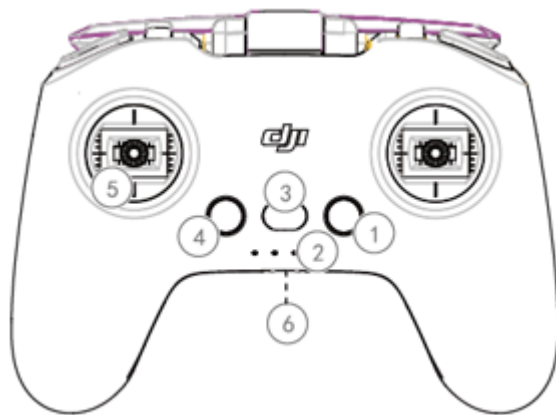
Goggles

1. Antennas
2. Front Cover
3. Channel Adjustment Buttons
4. Channel Display
5. USB-C Port
6. microSD Card Slot
7. Air Intake
8. Interpupillary Distance (IPD) Slider



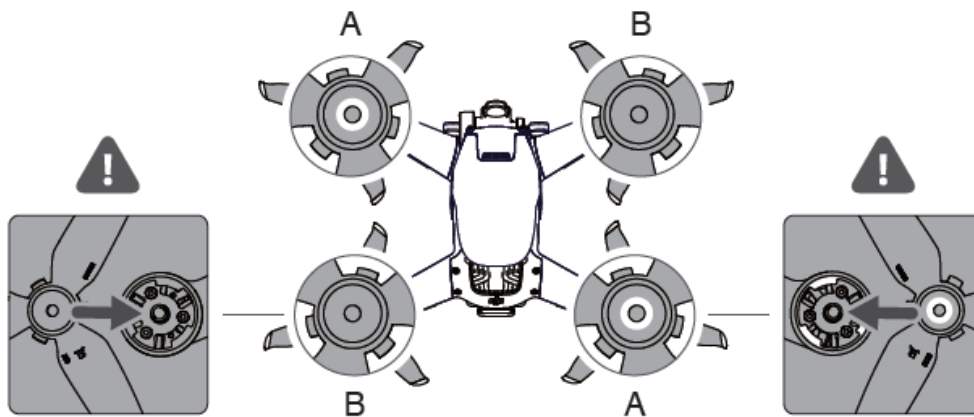
9. Headband Attachment
10. Foam Padding
11. Lens
12. Air Vent
13. Record Button
14. Back Button
15. 5D Button
16. Audio/AV-IN Port
17. Power Port (DC5.5x2.1)
18. Link Button

Remote Controller



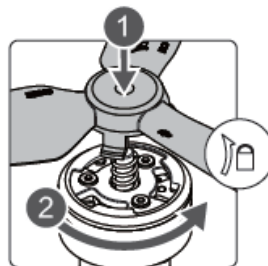
1. Power Button
2. Battery Level Indicator
3. Lanyard Attachment
4. Customizable Button
5. Control Sticks
6. USB-C-Port
7. Flight Pause Button
8. Gimbal Dial
9. Flight Mode Switch
10. Customizable Switch
- Take-off/Landing Button (non-M mode)
- Lock/Unlock Button (M mode)
11. Shutter/Record Button
12. Antennas

Preparing the Aircraft

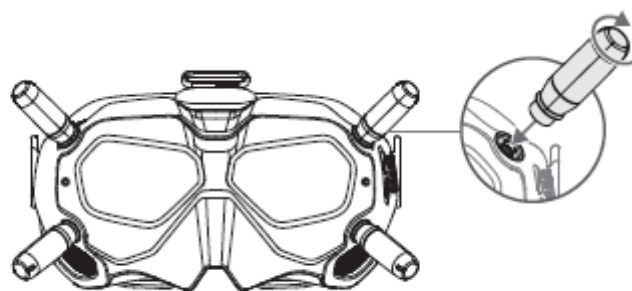


Unmarked / 无标记 / 無標記 /
 Tidak bertanda / マークなし /
 표시되지 않음 / Tidak bertanda
 / ไม่แสดงเครื่องหมาย / Немаркиран /
 Neoznačeno / Ikke markeret
 / Nicht markiert / Sin marca
 / Χωρίς επισήμανση /
 Merkitsemätön / Non marqué
 / Neoznačeno / Jelöletlen
 / Non contrassegnato /
 Ongemarkeerd / Ikke merket
 / Nieoznaczone / Sem
 marcas / Desmarcado /
 Nemarkat / Без маркировки
 / Omarkerad / İşaretsiz

Marked / 白色标记 / 白色標
 記 / Bertanda / マークあり /
 표시됨 / Bertanda / 顯示เครื่องหมาย
 / Маркиран / Označeno /
 Markeret / Markiert / Con
 marca / Με επισήμανση /
 Merkitty / Marqué / Označeno
 / Jelölt / Contrassegnato
 / Gemarkerd / Merket /
 Oznaczone / Com marcas
 / Marcado / Marcat / C
 маркировкой / Markerad /
 İşaretili



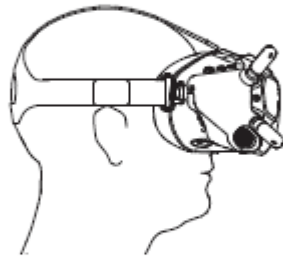
Preparing the Goggles



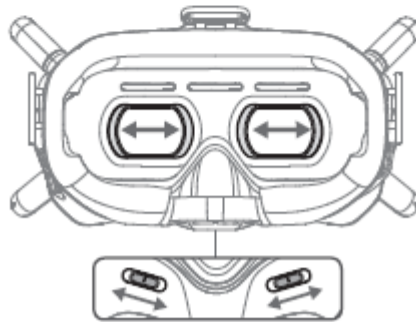
Installing the Antennas



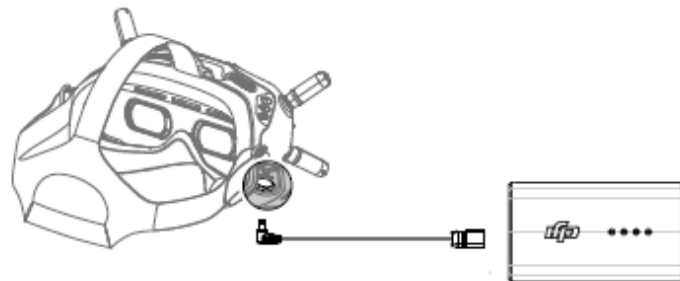
Installing the Headband



Wearing the Goggles

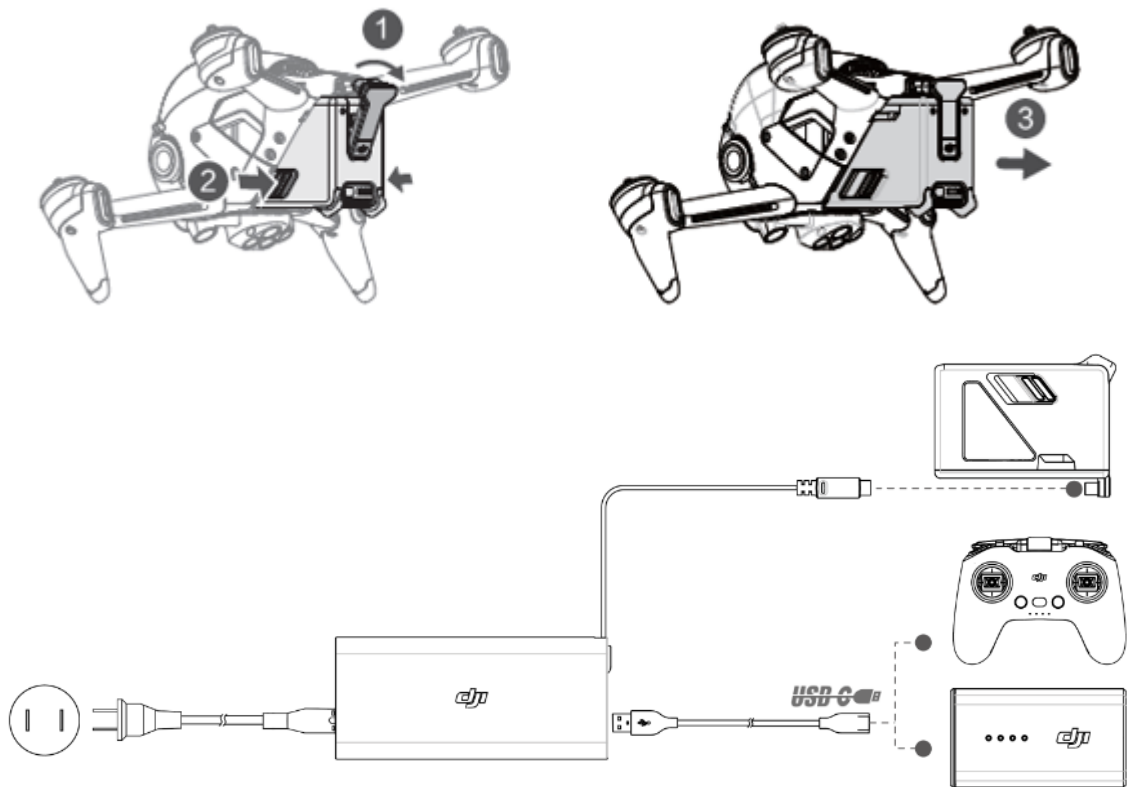


Adjusting the Interpupillary Distance
(58–70 mm)

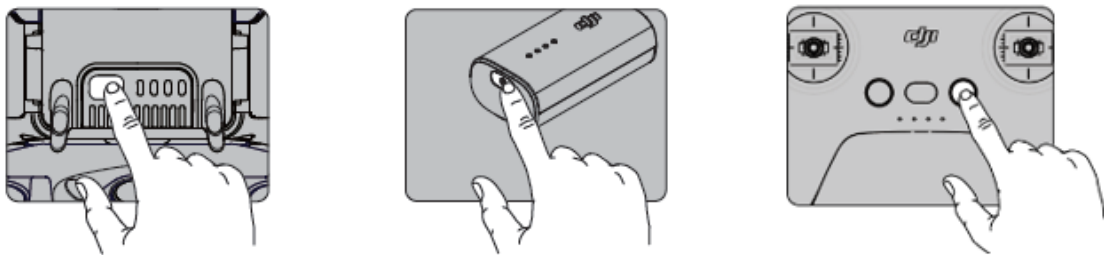


Power Supply

Charging



Checking Battery Levels and Powering On/Off

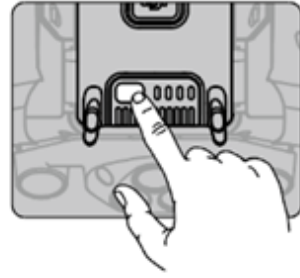


Press once to check the battery level.

Press, then press and hold to turn on/off.

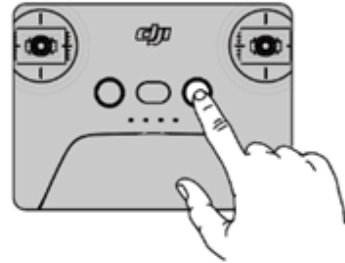
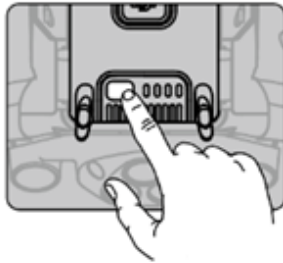
Linking

a.



- 1) Press the link button on the goggles.
- 2) Press and hold the power button of the aircraft.
- 3) The battery level indicator of the aircraft turns solid and display the battery level, the goggles stop beeping when successfully linked and the video display is normal.

b.



- 1) Press and hold the power button of the aircraft.
- 2) Press and hold the power button of the remote controller.
- 3) Both the battery level indicators turn solid and display the battery level, and the remote controller stop beeping when successfully linked.

* When ready to link, the devices will give the following indication:

Aircraft: the battery level indicator blinks in sequence

Goggles: the goggles beep continually

Remote controller: the remote controller beeps continually and the battery level indicator blinks in sequence

Controls

Goggles



5D Button
Toggle to scroll through the menu.
Press to confirm.



Record Button
Press to start or stop video recording.



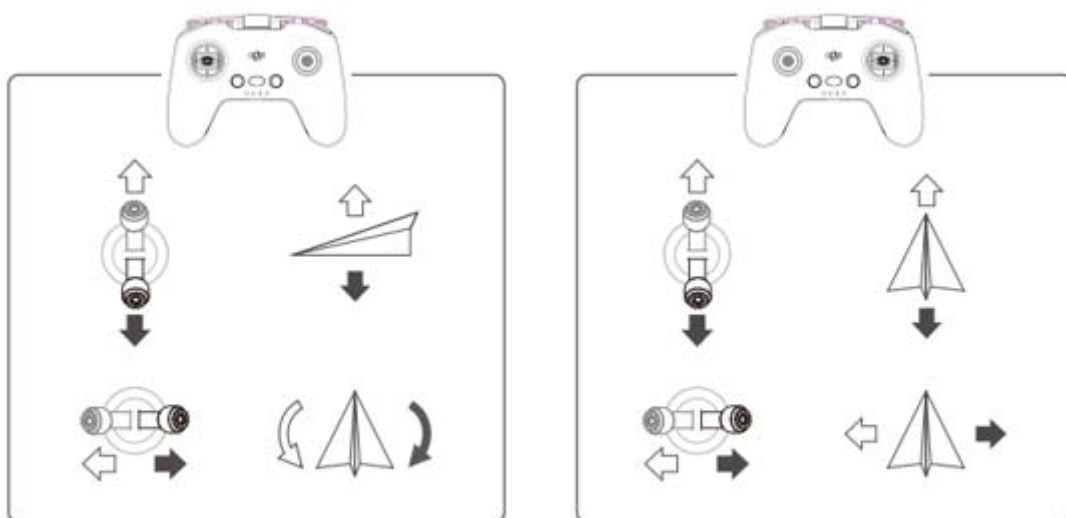
Back Button
Press to return to the previous menu
or exit the current mode.



Channel Adjustment Buttons
Press to switch channels.

Channel Display
Displays the current channel.

Remote Controller



Mode 2 / 美国手 / 美國手 / モード 2 / 모드 2 / Modus 2 / Mode 2 / Modo 2 / Mode 2 / Modus 2 /
Modo 2 / Modo 2 / Режим 2

Specifications

Aircraft (Model: FD1W4K)	
Takeoff Weight	790 g
Max Flight Time	20 mins
Operating Temperature	-10° to 40° C
Operating Frequency	2.400-2.4835 GHz, 5.725-5.850 GHz
Transmitter Power (EIRP)	2.4G: ≤30 dBm (FCC), ≤20 dBm (CE/SRRC/MIC) 5.8G: ≤30 dBm (FCC/SRRC), ≤14 dBm (CE)
Camera	
Sensor	1/2.3" CMOS, Effective Pixels: 12M
Lens	FOV: 150° 35mm Format Equivalent: 14.66 mm Aperture: f/2.86 Focus: 0.6 m to ∞
ISO	100-3200
Electronic Shutter Speed	1/8000-1/60 s
Max Image Size	3840×2160
Video Resolution	4K: 3840 × 2160 50/60p FHD: 1920 × 1080 50/60/100/120/200p
Intelligent Flight Battery	
Capacity	2000 mAh
Voltage	22.2 V(standard)
Type	LiPo 6S
Energy	45.6 Wh@3C

Charging Temperature	5° to 40° C
Max Charging Power	90 W
Goggles (Model: FGDB28)	
Weight	Approx. 420 g(headband and antennas included)
Dimensions	184×122×110 mm(antennas excluded), 202×126×110 mm(antennas included)
Screen Size	2 inch×2
Screen Resolution (Single Screen)	1440×810
Operating Frequency	2.400-2.4835 GHz; 5.725-5.850 GHz
Transmitter Power (EIRP)	2.4G: ≤30 dBm (FCC), ≤20 dBm (CE/SRRC/MIC) 5.8G: ≤30 dBm (FCC/SRRC), ≤14 dBm (CE)
Live View Mode	Low Latency Mode(810p 120fps), High Quality Mode (810p 60fps)
Video Format	MP4(Video format: H.264)
Supported Video Play Format	MP4, MOV, MKV (Video format: H.264; Audio format: AAC-LC, AAC-HE, AC-3, MP3)
Operating Temperature	0° to 40° C
Power Input	11.1-25.2 V
Goggles Battery	
Capacity	2600 mAh
Voltage	7.4 V(standard)
Type	Li-ion 2S
Energy	19.3 Wh
Charging Temperature	0° to 45° C
Max Charging Power	21.84 W
Remote Controller (Model: FC7BGC)	
Operating Frequency	2.400-2.4835 GHz; 5.725-5.850 GHz
Max Transmission Distance (unobstructed, free of interference)	2.4G: 8 km (FCC); 4 km (CE) 5.8G: 8 km (FCC); 1 km (CE)
Transmitter Power (EIRP)	2.4G: ≤30 dBm (FCC), ≤20 dBm (CE/SRRC/MIC) 5.8G: ≤30 dBm (FCC/SRRC), ≤14 dBm (CE)
Operating Current/Voltage	/

Compliance Information

FCC Compliance Notice

This device complies with Part 15 of the FCC Rules. Operation is subject to the following two conditions: (1) This device may not cause harmful interference, and (2) This device must accept any interference received, including interference that may cause undesired operation.

Any changes or modifications not expressly approved by the party responsible for compliance could void the user's authority to operate the equipment.

This equipment has been tested and found to comply with the limits for a Class B digital device, pursuant to part 15 of the FCC Rules. These limits are designed to provide reasonable protection against harmful interference in a residential installation. This equipment generates, uses and can radiate radio frequency energy and, if not installed and used in accordance with the instructions, may cause harmful interference to radio communications. However, there is no guarantee that interference will not occur in a particular installation. If this equipment does cause harmful interference to radio or television reception, which can be determined by turning the equipment off and on, the user is encouraged to try to correct the interference by one or more of the following measures:

- Reorient or relocate the receiving antenna.
- Increase the separation between the equipment and receiver.
- Connect the equipment into an outlet on a circuit different from that to which the receiver is connected.
- Consult the dealer or an experienced radio/TV technician for help.

ISED Warning

This device contains licence-exempt transmitter(s)/receiver(s) that comply with Innovation, Science and Economic Development Canada's licence-exempt RSS(s). Operation is subject to the following two conditions: (1) This device may not cause interference. (2) This device must accept any interference, including interference that may cause undesired operation of the device.

L'émetteur/récepteur exempt de licence contenu dans le présent appareil est conforme aux CNR d'Innovation, Sciences et Développement économique Canada applicables aux appareils radio exempts de licence. L'exploitation est autorisée aux deux conditions suivantes : (1) L'appareil ne doit pas produire de brouillage; (2) L'appareil doit accepter tout brouillage radioélectrique subi, même si le brouillage est susceptible d'en compromettre le fonctionnement.

KCC Warning Message

“ 해당무선설비는 운용중 전파혼신 가능성이 있으므로 인명안전과 관련된 서비스는 할 수 없습니다.”
“ 해당무선설비는 운용중 전파혼신 가능성이 있음”

NCC Warning Message

低功率電波輻射性電機管理辦法

第十二條經型式認證合格之低功率射頻電機，非經許可，公司、商號或使用者均不得擅自變更頻率、加大功率或變更原設計之特性及功能。

第十四條低功率射頻電機之使用不得影響飛航安全及干擾合法通信；經發現有干擾現象時，應改善至無干擾時方得繼續使用。前項合法通信，指依電信法規定作業之無線電通信。低功率射頻電機須忍受合法通信或工業、科學及醫療用電波輻射性電機設備之干擾。

EU Compliance Statement: SZ DJI TECHNOLOGY CO., LTD. hereby declares that this device is in compliance with the essential requirements and other relevant provisions of the Directive 2014/53/EU.

A copy of the EU Declaration of Conformity is available online at www.dji.com/euro-compliance

EU contact address: DJI GmbH, Industriestrasse 12, 97618, Niederlauer, Germany

Declaración de cumplimiento UE: SZ DJI TECHNOLOGY CO., LTD. por la presente declara que este dispositivo cumple los requisitos básicos y el resto de provisiones relevantes de la Directiva 2014/53/EU.

Hay disponible online una copia de la Declaración de conformidad UE en www.dji.com/euro-compliance

Dirección de contacto de la UE: DJI GmbH, Industriestrasse 12, 97618, Niederlauer, Germany

EU-verklaring van overeenstemming: SZ DJI TECHNOLOGY CO., LTD. verklaart hierbij dat dit apparaat voldoet aan de essentiële vereisten en andere relevante bepalingen van Richtlijn 2014/53/EU.

De EU-verklaring van overeenstemming is online beschikbaar op www.dji.com/euro-compliance

Contactadres EU: DJI GmbH, Industriestrasse 12, 97618, Niederlauer, Germany

Declaração de conformidade da UE: A SZ DJI TECHNOLOGY CO., LTD. declara, através deste documento, que este dispositivo está em conformidade com os requisitos essenciais e outras disposições relevantes da Diretiva 2014/53/EU.

Existe uma cópia da Declaração de conformidade da UE disponível online em www.dji.com/euro-compliance

Endereço de contacto na UE: DJI GmbH, Industriestrasse 12, 97618, Niederlauer, Germany

Dichiarazione di conformità UE: SZ DJI TECHNOLOGY CO., LTD. dichiara che il presente dispositivo è conforme ai requisiti essenziali e alle altre disposizioni rilevanti della direttiva 2014/53/EU.

Una copia della dichiarazione di conformità UE è disponibile online all'indirizzo Web www.dji.com/euro-compliance

Indirizzo di contatto UE: DJI GmbH, Industriestrasse 12, 97618, Niederlauer, Germany

Déclaration de conformité UE : Par la présente, SZ DJI TECHNOLOGY CO., LTD déclare que cet appareil est conforme aux principales exigences et autres clauses pertinentes de la directive européenne 2014/53/EU.

Une copie de la déclaration de conformité UE est disponible sur le site www.dji.com/euro-compliance

Adresse de contact pour l'UE : DJI GmbH, Industriestrasse 12, 97618, Niederlauer, Germany

EU-Compliance: Hiermit erklärt SZ DJI TECHNOLOGY CO., LTD., dass dieses Gerät den wesentlichen Anforderungen und anderen einschlägigen Bestimmungen der EU-Richtlinie 2014/53/EU entspricht. Eine Kopie der EU-Konformitätserklärung finden Sie online auf www.dji.com/euro-compliance.

Kontaktadresse innerhalb der EU: DJI GmbH, Industriestrasse 12, 97618, Niederlauer, Germany



CAUTION: RISK OF EXPLOSION IF BATTERY IS REPLACED BY AN INCORRECT TYPE. DISPOSE OF USED BATTERIES ACCORDING TO THE INSTRUCTIONS

Environmentally friendly disposal



Electrical appliances must not be disposed of together with the residual waste, but have to be disposed of separately. The disposal at the communal collecting point via private persons

is for free. The owner of old appliances is responsible to bring the appliances to these collecting points or to similar collection points. With this little personal effort, you contribute to recycle valuable raw materials and the treatment of toxic substances.

Umweltfreundliche Entsorgung



Geräte dürfen nicht mit gewöhnlichem Abfall entsorgt werden und müssen separat entsorgt werden. Die Entsorgung an kommunalen Sammelstellen ist für Privatpersonen kostenlos. Die Eigentümer der Altgeräte sind für den Transport zu den Sammelstellen verantwortlich. Durch diesen geringen Aufwand können Sie zur Wiederverwertung von wertvollen Rohmaterialien beitragen und dafür sorgen, dass umweltschädliche und giftige Substanzen ordnungsgemäß unschädlich gemacht werden.

Tratamiento de residuos responsable con el medio ambiente



Los eléctricos viejos no pueden desecharse junto con los residuos orgánicos, sino que deben ser desechados por separado. Existen puntos limpios donde los ciudadanos pueden dejar estos aparatos gratis. El propietario de los aparatos viejos es responsable de llevarlos a estos puntos limpios o similares puntos de recogida. Con este pequeño esfuerzo estás contribuyendo a reciclar valiosas materias primas y al tratamiento de residuos tóxicos.

Mise au rebut écologique



Les appareils électriques usagés ne doivent pas être éliminés avec les déchets résiduels. Ils doivent être éliminés séparément. La mise au rebut au point de collecte municipal par l'intermédiaire de particuliers est gratuite. Il incombe au propriétaire des appareils usagés de les apporter à ces points de collecte ou à des points de collecte similaires. Avec ce petit effort personnel, vous contribuez au recyclage de matières premières précieuses et au traitement des substances toxiques.

Smaltimento ecologico



Dispositivi elettrici non devono essere smaltiti insieme ai rifiuti residui, ma devono essere smaltiti separatamente. Lo smaltimento da parte di soggetti privati presso i punti di raccolta pubblici è gratis. È responsabilità del proprietario dei vecchi dispositivi portarli presso tali punti di raccolta o punti di raccolta analoghi. Grazie a questo piccolo impegno personale contribuirete al riciclo di materie prime preziose e al corretto trattamento di sostanze tossiche.

Milieuvriendelijk afvoeren



Elektrische apparaten mogen niet worden weggegooid samen met het restafval, maar moeten afzonderlijk worden afgevoerd. Afvoeren via het gemeentelijke inzamelpunt is gratis voor particulieren. De eigenaar van oude toestellen is verantwoordelijk voor het inleveren van de apparaten op deze of vergelijkbare inzamelpunten. Met deze kleine persoonlijke inspanning lever je een bijdrage aan de recycling van waardevolle grondstoffen en de verwerking van giftige stoffen.

Eliminação ecológica



Os aparelhos elétricos antigos não podem ser eliminados juntamente com os materiais residuais. Têm de ser eliminados separadamente. A eliminação no ponto de recolha público através de entidades particulares é gratuita. É da responsabilidade do proprietário de aparelhos antigos levá-los a estes pontos de recolha ou a pontos de recolha semelhantes. Com este pequeno esforço pessoal, contribui para a reciclagem de matérias-primas úteis e para o tratamento de substâncias tóxicas.

Thailand Warning message

เครื่องโทรคมนาคมและอุปกรณ์นี้มีความสอดคล้องตามข้อกำหนดของกทช.

Mexico Warning message

“La operación de este equipo está sujeta a las siguientes dos condiciones: (1) es posible que este equipo o dispositivo no cause interferencia perjudicial y (2) este equipo o dispositivo debe aceptar cualquier interferencia, incluyendo la que pueda causar su operación no deseada.”

Brazil Warning message

Este equipamento opera em caráter secundário, isto é, não tem direito a proteção contra interferência prejudicial, mesmo de estações do mesmo tipo, e não pode causar interferência a sistemas operando em caráter primário

RF Exposure Information

SAR tests are conducted using standard operating positions accepted by the FCC/ ISEDC with the device transmitting at its highest certified power level in all tested frequency bands, although the SAR is determined at the highest certified power level, the actual SAR level of the device while operating can be well below the maximum value.

Before a new model device is available for sale to the public, it must be tested and certified to the FCC/ ISEDC that it does not exceed the exposure limit established by the FCC/ ISEDC, Tests for each device are performed in positions and locations as required by the FCC/ ISEDC.

For head/Extremity, this model device has been tested and meets the FCC / ISEDC RF exposure guidelines when used with an accessory designated for this product or when used with an accessory that contains no metal.

Non - compliance with the above restrictions may result in violation of RF exposure guidelines.

Les tests SAR sont effectués en utilisant des positions de fonctionnement standard acceptées par la FCC / ISEDC avec l'appareil transmettant à son niveau de puissance certifié le plus élevé dans toutes les bandes de fréquences testées, bien que le SAR soit déterminé au niveau de puissance certifié le plus élevé, le niveau SAR réel de l'appareil le fonctionnement peut être bien inférieur à la valeur maximale.

Avant qu'un nouveau modèle d'appareil soit disponible à la vente au public, il doit être testé et certifié par la FCC / ISEDC qu'il ne dépasse pas la limite d'exposition établie par la FCC / ISEDC, les tests pour chaque appareil sont effectués dans des positions et des emplacements tel que requis par la FCC / ISEDC.

Pour la tête / les extrémités, ce modèle d'appareil a été testé et répond aux directives d'exposition RF FCC / ISEDC lorsqu'il est utilisé avec un accessoire désigné pour ce produit ou lorsqu'il est utilisé avec un accessoire qui ne contient pas de métal

Le non-respect des restrictions ci-dessus peut entraîner une violation des directives d'exposition aux RF.