

CrystalSky User Guide

CS785/CS785U/CS550

Disclaimer

Congratulations on purchasing your new DJI™ product. The information in this document affects your safety and your legal rights and responsibilities. Read this entire document carefully to ensure proper configuration before use. Failure to read and follow instructions and warnings in this document may result in serious injury to yourself or others, damage to your DJI product, or damage to other objects in the vicinity. This document and all other collateral documents are subject to change at the sole discretion of DJI. For up-to-date product information, visit <http://www.dji.com> and click on the product page for this product.

By using this product, you hereby signify that you have read this disclaimer and warning carefully and that you understand and agree to abide by the terms and conditions herein. You agree that you are solely responsible for your own conduct while using this product, and for any consequences thereof. You agree to use this product only for purposes that are proper and in accordance with all applicable laws, rules, and regulations, and all terms, precautions, practices, policies and guidelines DJI has made and may make available. DJI accepts no liability for damage, injury or any legal responsibility incurred directly or indirectly from the use of this product. The user shall observe safe and lawful practices including, but not limited to, those set forth in this document.

DJI is a trademark of SZ DJI TECHNOLOGY CO., LTD. (abbreviated as “DJI”) and its affiliated companies. Names of products, brands, etc., appearing in this document are trademarks or registered trademarks of their respective owner companies.

Warnings

1. Ensure to press the Battery Remove Button before remove the battery.
2. DO NOT attempt to touch the metal terminals on the Power Adapter.
3. Clean the metal terminals with a dry, clean cloth if there is any noticeable buildup of dirt.

Introduction

CrystalSky is a designed specifically for aerial photography that can display clear image under bright light. Use built-in DJI GO App / DJI GO 4 App to control the gimbal, camera and other features of your flight system. The app also comes with Map, Store a User Center, for configuring your aircraft and sharing your content with friends.

In the Box

CrystalSky Display Screen ×1

Battery ×2

Charging Hub ×1

SD Card Mounting ×1

Mounting Bracket ×1

Hood ×1

Insulation ×1

Extended Module (Optional) ×1

Parts

1. HDMI Port

Output HDMI video signal.

2. USB Port

Supported extended device, e.g. U disk.

3/4. Micro SD Card Slot

Provide extra storage space for the display device, maximum supporting 128 GB.

5. Micro USB Port

Configure parameters and upgrade the aircraft by connecting to the DJI Assistant 2 using the USB OTG cable.

6. Headphone jack

7. Light-sensitive Port

Built-in light-sensitive sensor.

8. Type C USB2.0 HS Port

9. Built-in GPS

10. Power Button

11. Custom Button

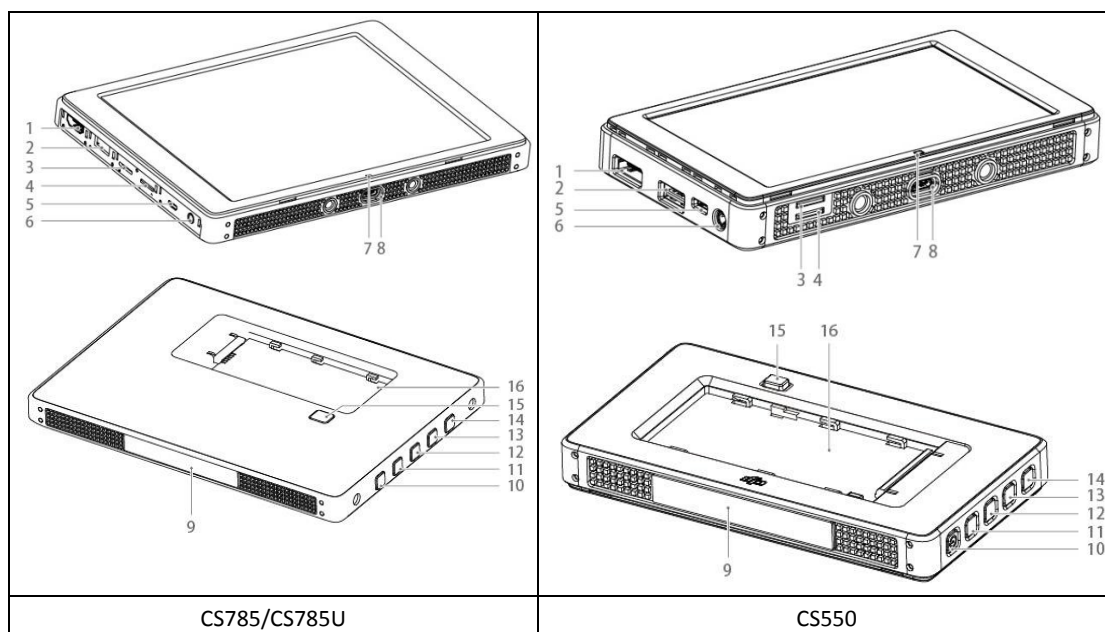
12. Setting Button

13. Custom Button

14. Playback Button

15. Battery Remove Button

16. Battery Slot



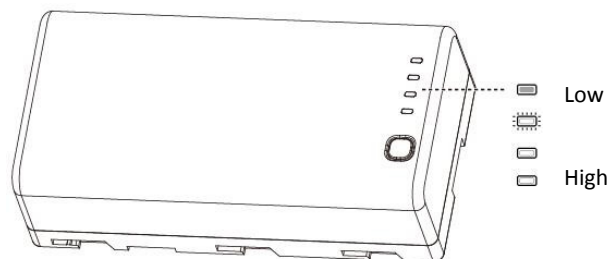
*Use the CrystalSky CS785 for installation illustration.

Usage

Charging the Battery

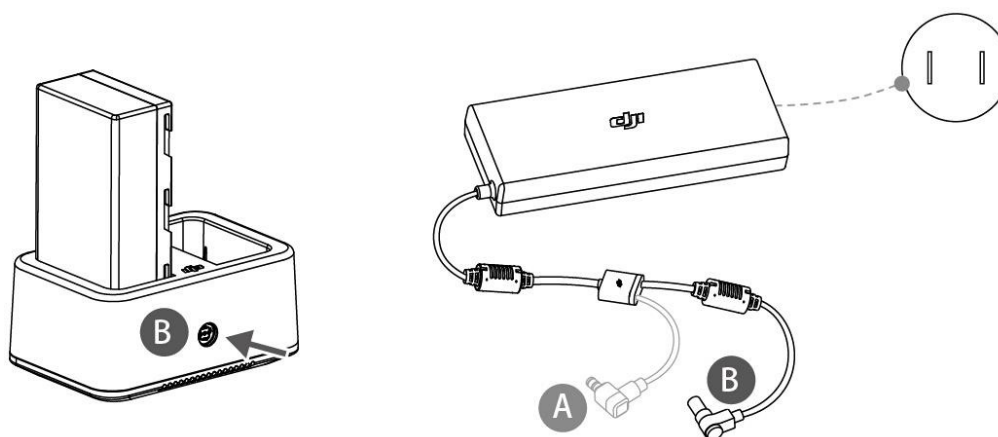
Checking the Battery Level

Press the Battery Level Button once to check the battery level, and press again to power off.



Charging

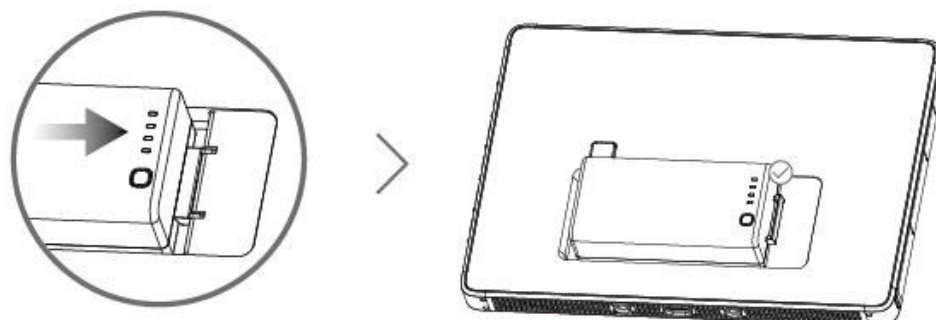
Install the battery into the standard charging hub, and connect the plug the connector B of the battery charger to the charging hub, then connect the battery charger to a power outlet (100-240V, 50/60Hz).



Tips: The charging hub can charge two batteries at the same time. It will take a longer time to charge the Intelligent Flight Battery and remote controller together.

Mounting the Battery

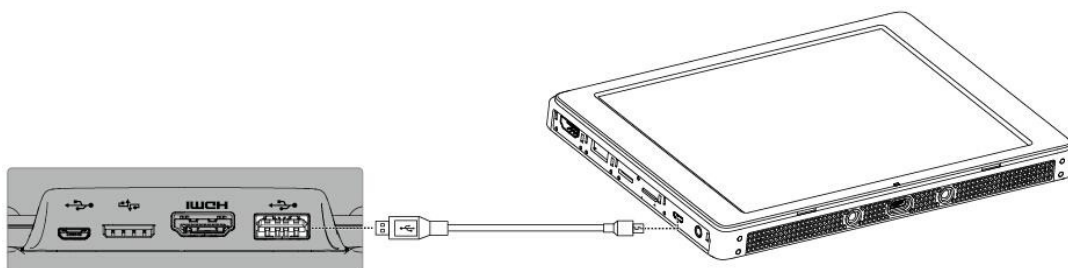
Put the battery into the Battery Slot, then push it to the end until you hear a click.



Note: Ensure to press the Battery Remove Button before remove the battery.

Connecting the Display Screen to the Remote Controller

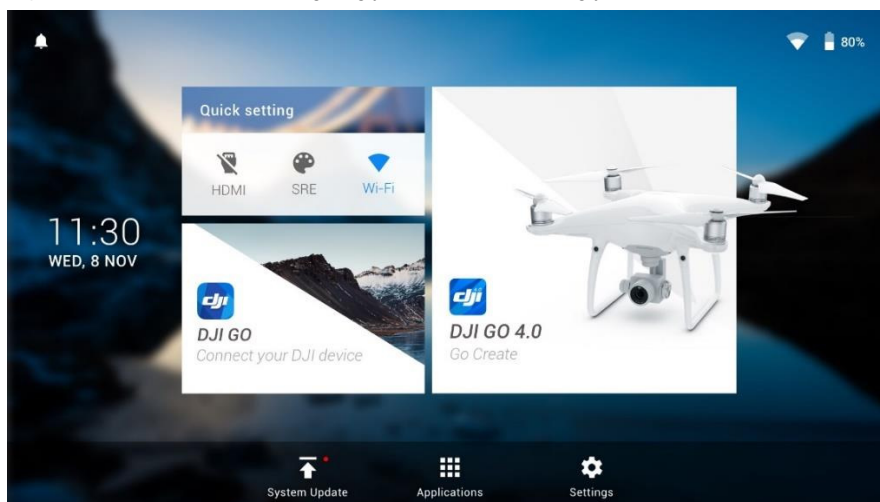
Connect the display screen to the remote controller via a Micro USB cable.



DJI GO/GO 4 App

Press the Power Button until the display screen power on, then enter DJI GO/GO 4 app.

Use built-in DJI GO App / DJI GO 4 App to control the gimbal, camera and other features of your flight system. The app also comes with Map, Store a User Center, for configuring your aircraft and sharing your content with friends.



Specifications

Display Screen	CS785/ CS785U	CS550
Touch Screen	7.85', IPS screen, supporting multi points touch	5.5', IPS screen, supporting multi points touch
Resolutions	2048×1536	1920×1080
Brightness	Highlight version (CS785): 1000 cd/m2 Ultra-bright version (CS785U): 2000 cd/m2	1000 cd/m2
Operating System	Android	
Built-in App	DJI GO, DJI GO 4	
Storage	ROM 64GB+RAM 4GB (CS785) ROM 128GB+RAM 4GB (CS785U)	ROM 32GB+RAM 4GB
Ports	HDMI (Supported 3840×2160 output), Dual SD card slot, USB, Micro USB, Type C USB2.0 HS	

Network	WIFI frequency band: 2.4G, 5G Protocol: 802.11b, 802.11g, 802.11n (HT20), 802.11a	
Satellite Positioning Module	GPS/GLONASS	
Gyroscope	Built-in	
Compass	Built-in	
Speaker	Built-in	
Light-sensitive Sensor	Built-in	
Microphone	Built-in	
Built-in Battery(CS550)	1000mAh, 3.7 V	
Operating Temperature	-20°C to 40°C	
4K Decoding Capability	H.264: 4K30p, H.265: 4K60p	
Dimensions (without battery)	208.6×147.8×17 mm	153.76×84.94×19 mm
Dimensions (with battery)	208.6×147.8×34.75 mm	153.76×84.94×39.6 mm
Battery	WB37-4920mAh-7.6V	
Capacity	4920 mAh	
Voltage	7.6 V	
Battery Type	LiPo battery	
Energy	37.39 Wh	
Max Charging Power	55 W	
Operating Temperature	-20° to 40° C	
Storage Temperature	Less than 3 months: - 28° C to 45° C More than 3 months: less than 28° C	
Charging Temperature	5° C to 40° C	
Net Weight	Approx. 170 g	
Dimension	90×45×26 mm	
Charging Hub	WCH2	
Input Voltage	17.3 - 26.2V	
Output Voltage	8.7V@6A, 5V@2A	

FCC Compliance Notice

Any changes or modifications not expressly approved by the party responsible for compliance could void the user's authority to operate the equipment.

This device complies with Part 15 of the FCC Rules. Operation is subject to the following two conditions: (1) This device may not cause harmful interference, and (2) This device must accept any interference received, including interference that may cause undesired operation.

This equipment has been tested and found to comply with the limits for a Class B digital device, pursuant to part 15 of the FCC Rules. These limits are designed to provide reasonable protection against harmful interference in a residential installation. This equipment generates, uses and can radiate radio frequency energy and, if not installed and used in accordance with the instructions, may cause harmful interference to radio communications. However, there is no guarantee that interference will not occur in a particular installation. If this equipment does cause harmful interference to radio or television reception, which can be determined by turning the equipment off and on, the user is encouraged to try to correct the interference by one or more of the following measures:

- Reorient or relocate the receiving antenna.
- Increase the separation between the equipment and receiver.
- Connect the equipment into an outlet on a circuit different from that to which the receiver is connected.
- Consult the dealer or an experienced radio/TV technician for help.

RF Exposure Information

This equipment complies with FCC radiation exposure limits set forth for an uncontrolled environment.

This transmitter must not be co-located or operating in conjunction with any other antenna or transmitter.

ISED RSS Regulatory Statement

This device complies with ISED license-exempt RSS standard(s). Operation is subject to the following two conditions:

- (1) this device may not cause interference, and
- (2) this device must accept any interference, including interference that may cause undesired operation of the device.

Le présent appareil est conforme aux CNR d'ISED applicables aux appareils radio exempts de licence. L'exploitation est autorisée aux deux conditions suivantes :

- (1) l'appareil ne doit pas produire de brouillage, et
- (2) l'utilisateur de l'appareil doit accepter tout brouillage radioélectrique subi, même si le brouillage est susceptible d'en compromettre le fonctionnement.

ISED Radiation Exposure Statement

This equipment complies with ISED radiation exposure limits set forth for an uncontrolled environment. This transmitter must not be co-located or operating in conjunction with any other antenna or transmitter.

Cet appareil est

conforme aux limites d'exposition de rayonnement RF ISED établies pour un environnement non contrôlé. Cet émetteur ne doit pas être co-implanté ou fonctionner en conjonction avec toute autre antenne ou transmetteur.