



EMC TEST REPORT

Applicant ZTE Corporation

FCC ID SRQ-ZTEV9VITA

Product LTE/WCDMA/GSM(EDGE、GPRS)
Multi-Mode Digital Mobile Phone

Model ZTE BLADE V0920/ ZTE BLADE V9 VITA
/BLADE V9 VITA

Marketing ZTE BLADE V0920/ ZTE BLADE V9 VITA
/BLADE V9 VITA

Report No. R1803A0087-E1

Issue Date April 2, 2018

TA Technology (Shanghai) Co., Ltd. tested the above equipment in accordance with the requirements in **FCC Code CFR47 Part15B (2017)/ ANSI C63.4 (2014)**. The test results show that the equipment tested is capable of demonstrating compliance with the requirements as documented in this report.

Wei Liu

Guangchang Fan

Performed by: Wei Liu/ Manager

Approved by: Guangchang Fan/ Director

TA Technology (Shanghai) Co., Ltd.

No.145, Jintang Rd, Tangzhen Industry Park, Pudong Shanghai, China

TEL: +86-021-50791141/2/3

FAX: +86-021-50791141/2/3-8000



Table of Contents

1	Test Laboratory.....	4
1.1	Notes of the Test Report.....	4
1.2	Test facility.....	4
1.3	Testing Location.....	5
2	General Description of Equipment under Test.....	6
2.1	Client Information.....	6
2.2	General information.....	6
2.3	Applied Standards.....	8
2.4	Test Mode.....	9
3	Test Case Results.....	10
3.1	Radiated Emission.....	10
3.2	Conducted Emission.....	16
4	Main Test Instrument.....	19



Summary of measurement results

Number	Test Case	Clause in FCC Rules	Conclusion
1	Radiated Emission	15.109, ANSI C63.4-2014	PASS
2	Conducted Emission	15.107, ANSI C63.4-2014	PASS
Test Date: March 8, 2017~ March 31, 2017			

1 Test Laboratory

1.1 Notes of the Test Report

This report shall not be reproduced in full or partial, without the written approval of **TA technology (shanghai) co., Ltd.** The results documented in this report apply only to the tested sample, under the conditions and modes of operation as described herein .Measurement Uncertainties were not taken into account and are published for informational purposes only. This report is written to support regulatory compliance of the applicable standards stated above.

1.2 Test facility

CNAS (accreditation number: L2264)

TA Technology (Shanghai) Co., Ltd. has obtained the accreditation of China National Accreditation Service for Conformity Assessment (CNAS).

FCC (Designation number: CN1179, Test Firm Registration Number: 446626)

TA Technology (Shanghai) Co., Ltd. has been listed on the US Federal Communications Commission list of test facilities recognized to perform electromagnetic emissions measurements.

IC (recognition number is 8510A)

TA Technology (Shanghai) Co., Ltd. has been listed by industry Canada to perform electromagnetic emission measurement.

VCCI (recognition number is C-4595, T-2154, R-4113, G-10766)

TA Technology (Shanghai) Co., Ltd. has been listed by industry Japan to perform electromagnetic emission measurement.

A2LA (Certificate Number: 3857.01)

TA Technology (Shanghai) Co., Ltd. has been listed by American Association for Laboratory Accreditation to perform electromagnetic emission measurement.



1.3 Testing Location

Company: TA Technology (Shanghai) Co., Ltd.
Address: No.145, Jintang Rd, Tangzhen Industry Park, Pudong Shanghai, China
City: Shanghai
Post code: 201201
Country: P. R. China
Contact: Xu Kai
Telephone: +86-021-50791141/2/3
Fax: +86-021-50791141/2/3-8000
Website: <http://www.ta-shanghai.com>
E-mail: xukai@ta-shanghai.com

2 General Description of Equipment under Test

2.1 Client Information

Applicant	ZTE Corporation
Applicant address	ZTE Plaza, Keji Road South, Hi-Tech, Industrial Park, Nanshan District, Shenzhen, Guangdong, 518057, P.R.China
Manufacturer	ZTE Corporation
Manufacturer address	ZTE Plaza, Keji Road South, Hi-Tech, Industrial Park, Nanshan District, Shenzhen, Guangdong, 518057, P.R.China

2.2 General information

EUT Description	
Device Type:	Portable Device
Model Number:	ZTE BLADE V0920/ ZTE BLADE V9 VITA/BLADE V9 VITA
IMEI:	867942030013705
HW Version:	udvA
SW Version:	CLA_PE_BLADE_V9_VITAV1.0.0
Antenna Type:	Internal Antenna
Test Mode:	Transfer Data Mode
EUT Accessory	
Adapter 1	Manufacturer: Shenzhen Dokocom Energy Technology Co., Ltd. Model: STC-A515A-Z
Adapter 2	Manufacturer: SHENZHEN RUIJING INDUSTRIAL CO LTD Model: STC-A515A-Z
Adapter 3	Manufacturer: Jiangsu Chenyang Electron Co., Ltd. Model: STC-A515A-Z
Earphone 1	Manufacturer: JUWEI ELECTRONICS CO., LTD Model: JWEP1036-Z01R
Earphone 2	Manufacturer: Shenzhen FDC Electronics Co., Ltd. Model: DEM-66
Battery	Manufacturer: Zhongshan Tianmao Battery Co.,Ltd Model: Li3931T44P8h806139
USB Cable 1	Manufacturer: kingpower-tech 100cm Cable, Shielded
USB Cable 2	Manufacturer: LUXSHARE-ICT 100cm Cable, Shielded



Auxiliary test equipment	
PC	PC Manufacturer: Dell Model: E5450 (SN : P48G001)
<p>Note: The information of the EUT is declared by the manufacturer.</p> <p>2. There is more than one USB cable and Earphone, each one should be applied throughout the compliance test respectively, and however, only the worst case (USB cable 2/ Earphone 1) will be recorded in this report.</p>	



2.3 Applied Standards

According to the specifications of the manufacturer, it must comply with the requirements of the following standards:

Test standards

FCC Code CFR47 Part15B (2017)

ANSI C63.4 (2014)

2.4 Test Mode

Test Mode	
Mode 1:	Adapter + USB cable+ earphone + Camera On +GPS Rx + MP3 +Idle
Mode 2:	Adapter + USB cable+ earphone + MP3 +Idle
Mode 3:	Adapter + USB cable+ earphone +Idle
Mode 4:	Adapter + USB cable +Idle
Mode 5:	USB Copy(EUT with PC) + USB cable + earphone + Camera On + MP3+GPS Rx +Idle
Mode 6:	Camera On +earphone + GPS Rx +Idle
Mode 7:	Earphone+MP3+Idle
Mode 8:	Earphone +Idle

During the test, the preliminary test was performed in all modes (Camera/MP3/GPS) with all frequency bands (GSM/ WCDMA/ LTE/ BT/ Wi-Fi), mode 5 (with Camera + MP3 + GPS Rx + GSM/ WCDMA/ LTE/ BT/ Wi-Fi idle) selected as the worst condition. The test data of the worst-case condition was recorded in this report.

3 Test Case Results

3.1 Radiated Emission

Ambient condition

Temperature	Relative humidity	Pressure
24°C~26°C	45%~50%	102.5kPa

Methods of Measurement

The EUT is placed on a non-metallic table 0.8m above the horizontal metal reference ground plane. The distance between EUT and receive antenna should be 3 meters. During the test, the EUT was operating in its typical mode. The test method is according to ANSI C63.4-2014. Sweep the whole frequency band through the range from 30MHz to the 5th harmonic of the carrier. During the test, the height of receive antenna shall be moved from 1 to 4 meters, and the antenna shall be performed under horizontal and vertical polarization. The turn table shall be rotated from 0 to 360 degrees for detecting the maximum of radiated signal level.

The data of cable loss and antenna factor has been calibrated in full testing frequency range before the testing. During the test, the EUT is worked at maximum output power.

Set the spectrum analyzer in the following:

Below 1GHz:

RBW=100 kHz / VBW=300 kHz / Sweep=AUTO

Above 1GHz:

(a) PEAK: RBW=1MHz / VBW=3MHz/ Sweep=AUTO

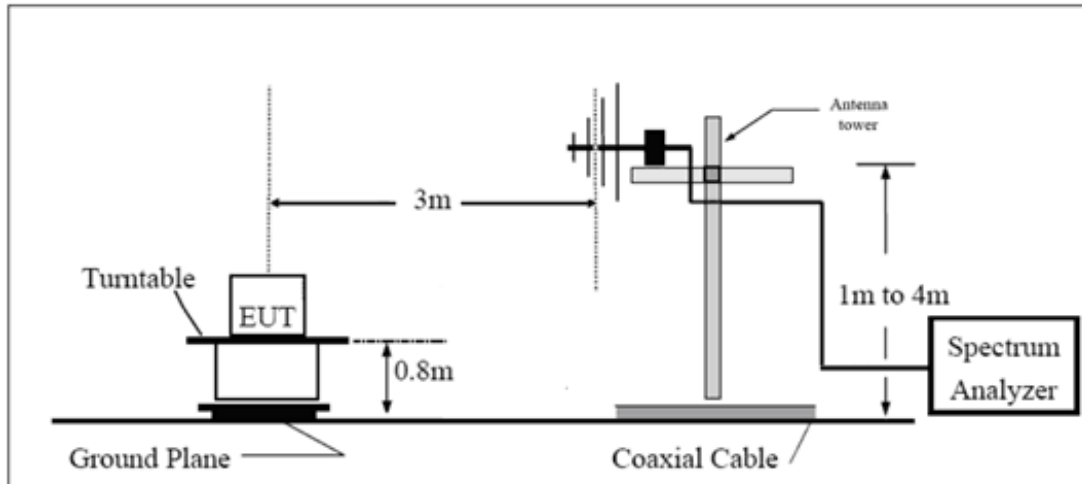
(b) AVERAGE: RBW=1MHz / VBW=3MHz / Sweep=AUTO

The radiated emission was measured in the following position: EUT stand-up position (Z axis), lie-down position (X, Y axis). The worst emission was found in lie-down position (X axis) and the worst case was recorded.

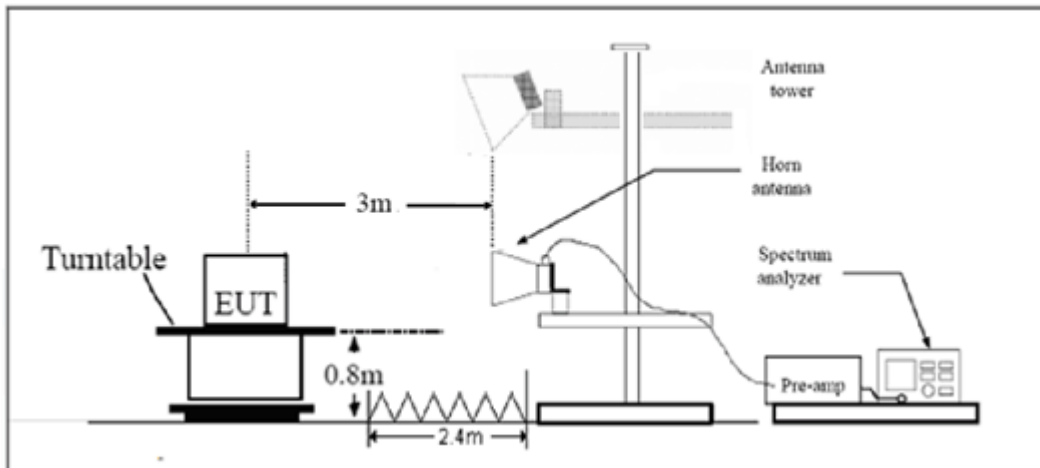
During the test, EUT is connected to a laptop via a USB cable in the case of Transfer Data mode. The EUT is used as the peripheral equipment of the PC. The data is transferred from EUT to PC; PC is connected to server via a long LAN cable.

Test Setup

Below 1GHz



Above 1GHz



Note: Area side:2.4mX3.6m

Antenna Tower meets ANSI C63.4 requirements for measurements above 1 GHz by keeping the antenna aimed at the EUT during the antenna's ascent/ descent along the antenna mast.

Limits

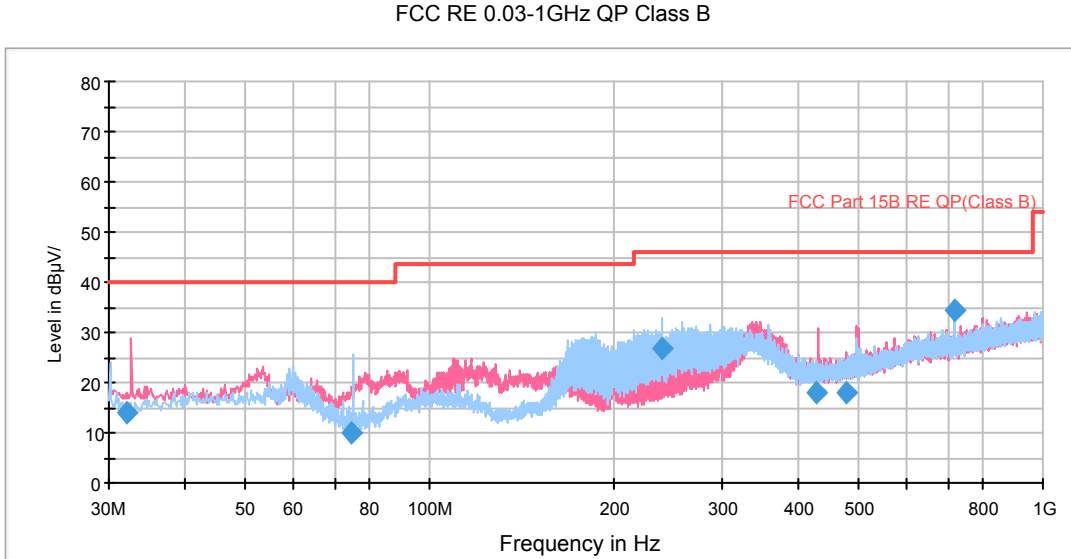
Frequency (MHz)	Field Strength (dB μ V/m)	Detector
30 -88	40.0	Quasi-peak
88-216	43.5	Quasi-peak
216 – 960	46.0	Quasi-peak
960-1000	54.0	Quasi-peak
1000-5 th harmonic of the highest frequency or 40GHz, which is lower	54 74	Average Peak

Measurement Uncertainty

The assessed measurement uncertainty to ensure 95% confidence level for the normal distribution is with the coverage factor $k = 1.96$. $U = 3.704$ dB.

Test Results

The following graphs display the maximum values of horizontal and vertical by software.
 For above 1GHz, Blue trace uses the peak detection, Green trace uses the average detection.

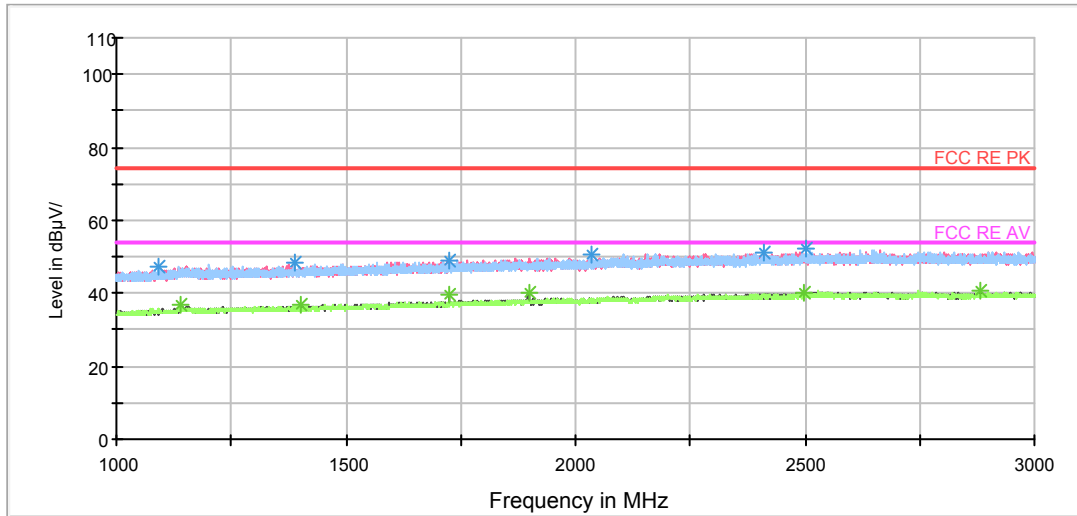


Radiated Emission from 30MHz to 1GHz

Frequency (MHz)	Quasi-Peak (dBuV/m)	Reading value (dBuV/m)	Height (cm)	Polarization	Azimuth (deg)	Correct Factor (dB)	Margin (dB)	Limit (dBuV/m)
32.107500	14.1	2.1	100.0	V	30.0	12.0	25.9	40.0
74.746250	10.1	1.5	114.0	H	6.0	8.6	29.9	40.0
240.005000	26.7	13.0	125.0	H	285.0	13.7	19.3	46.0
428.673750	18.1	-0.9	100.0	V	24.0	19.0	27.9	46.0
479.398750	18.2	-1.5	100.0	V	16.0	19.7	27.8	46.0
719.993750	34.5	10.3	113.0	H	20.0	24.2	11.5	46.0

- Remark:**
1. Quasi-Peak = Reading value + Correction factor
 2. Correction Factor = Antenna factor+ Insertion loss(cable loss+amplifier gain)
 3. Margin = Limit – Quasi-Peak

FCC RE 1G-3GHz PK+AV Class B

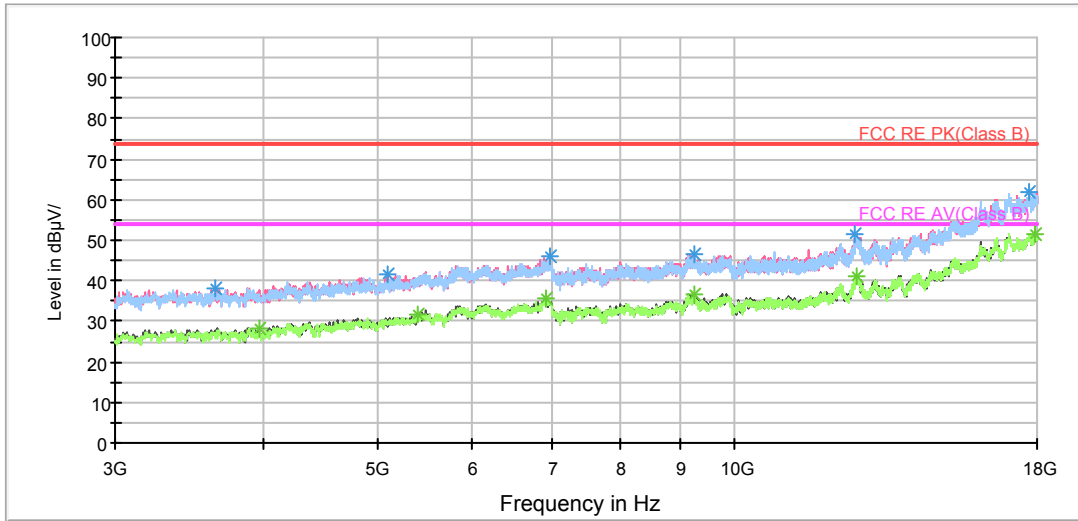


Radiated Emission from 1GHz to 3GHz

Frequency (MHz)	Peak (dBuV/m)	Reading value (dBuV/m)	Height (cm)	Polarization	Azimuth (deg)	Correct Factor (dB)	Margin (dB)	Limit (dBuV/m)
1092.250000	47.5	45.4	100.0	H	2.0	2.1	26.5	74
1386.500000	48.3	45.3	100.0	H	143.0	3.0	25.7	74
1724.750000	48.8	44.6	100.0	V	357.0	4.2	25.2	74
2034.000000	50.5	45.2	100.0	H	171.0	5.3	23.5	74
2410.000000	51.4	44.6	100.0	H	0.0	6.8	22.6	74
2501.500000	52.0	44.8	100.0	H	96.0	7.2	22.0	74

Frequency (MHz)	Average (dBuV/m)	Reading value (dBuV/m)	Height (cm)	Polarization	Azimuth (deg)	Correct Factor (dB)	Margin (dB)	Limit (dBuV/m)
1141.250000	36.8	34.5	100.0	H	3.0	2.3	17.2	54
1400.000000	36.7	33.6	100.0	V	206.0	3.1	17.3	54
1724.750000	39.8	35.6	100.0	V	357.0	4.2	14.2	54
1897.500000	39.9	35.1	100.0	V	335.0	4.8	14.1	54
2498.000000	40.1	33.0	100.0	V	110.0	7.1	13.9	54
2884.250000	40.5	33.0	100.0	V	234.0	7.5	13.5	54

RE 3-18GHz PK+AV



Radiated Emission from 3GHz to 18GHz

Frequency (MHz)	Peak (dBuV/m)	Reading value (dBuV/m)	Height (cm)	Polarization	Azimuth (deg)	Correct Factor (dB)	Margin (dB)	Limit (dBuV/m)
3646.875000	38.3	40.2	200.0	V	253.0	-1.9	35.7	74
5096.250000	41.5	39.7	200.0	V	0.0	1.8	32.5	74
6995.625000	46.0	39.5	200.0	V	0.0	6.5	28.0	74
9238.125000	46.7	36.8	200.0	H	185.0	9.9	27.3	74
12652.500000	51.5	37.4	200.0	H	311.0	14.1	22.5	74
17715.000000	61.8	37.2	200.0	H	54.0	24.6	12.2	74

Frequency (MHz)	Average (dBuV/m)	Reading value (dBuV/m)	Height (cm)	Polarization	Azimuth (deg)	Correct Factor (dB)	Margin (dB)	Limit (dBuV/m)
3963.750000	28.3	29.3	200.0	V	329.0	-1.0	25.7	54
5405.625000	31.5	28.9	200.0	V	188.0	2.6	22.5	54
6937.500000	35.8	29.7	200.0	H	87.0	6.1	18.2	54
9238.125000	36.7	26.8	200.0	H	185.0	9.9	17.3	54
12682.500000	40.9	26.7	200.0	H	163.0	14.2	13.1	54
17919.375000	51.6	25.8	200.0	V	144.0	25.8	2.4	54

3.2 Conducted Emission

Ambient condition

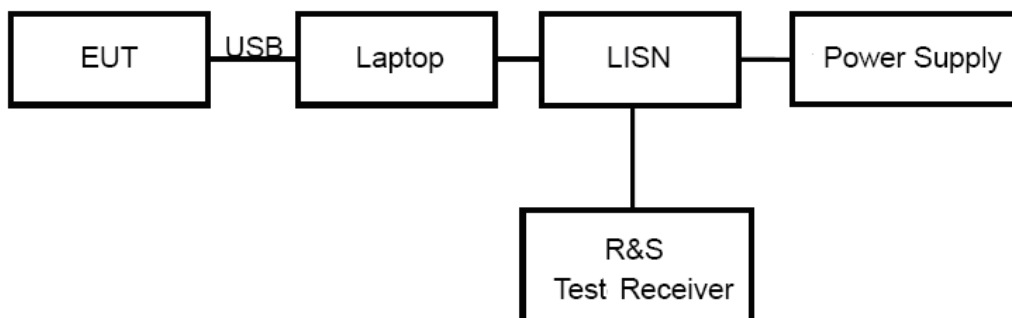
Temperature	Relative humidity	Pressure
24°C ~26°C	50%~55%	102.5kPa

Methods of Measurement

The EUT is placed on a non-metallic table of 80cm height above the horizontal metal reference ground plane. During the test, the EUT was operating in its typical mode. The test method is according to ANSI C63.4-2014. Connect the AC power line of the EUT to the L.I.S.N. Use EMI receiver to detect the average and Quasi-peak value. RBW is set to 9 kHz, VBW is set to 30kHz. The measurement result should include both L line and N line.

During the test, EUT is connected to a laptop via a USB cable in the case of Transfer Data mode. The EUT is used as the peripheral equipment of the PC. The data is transferred from EUT to PC; PC is connected to server via a long LAN cable.

Test Setup



Note: Power Supply is AC Power source and it is used to change the voltage 120V/60Hz.

Limits

Frequency (MHz)	Conducted Limits(dBμV)	
	Quasi-peak	Average
0.15 - 0.5	66 to 56 *	56 to 46 *
0.5 - 5	56	46
5 - 30	60	50

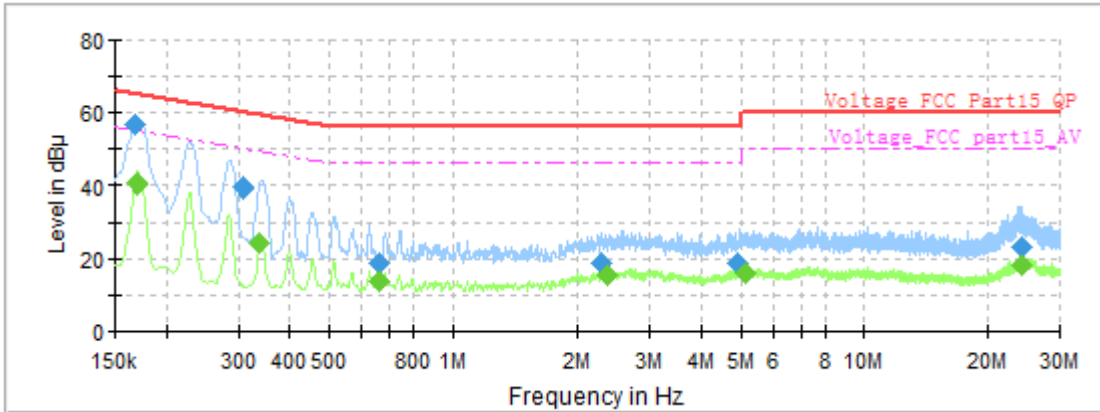
*: Decreases with the logarithm of the frequency.

Measurement Uncertainty

The assessed measurement uncertainty to ensure 95% confidence level for the normal distribution is with the coverage factor $k = 1.96$. $U = 2.57$ dB.

Test Results

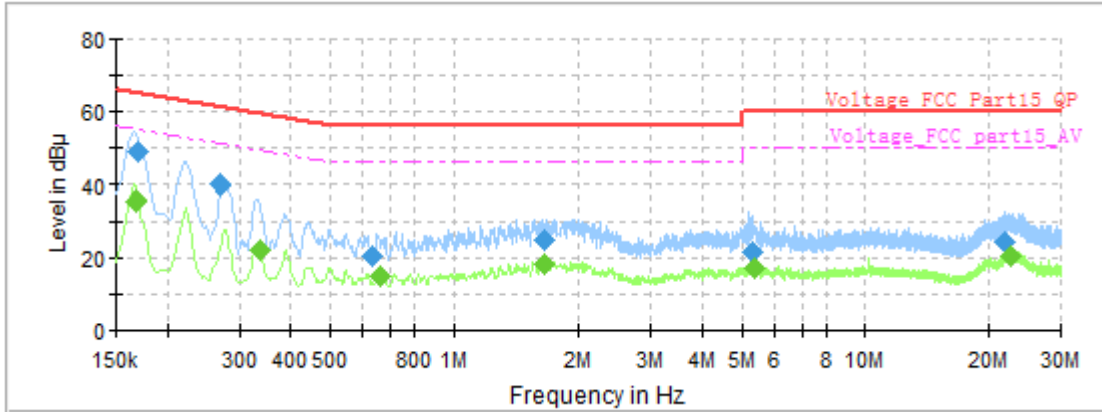
Following plots, Blue trace uses the peak detection; Green trace uses the average detection.



Frequency (MHz)	QuasiPeak (dB μ V)	Average (dB μ V)	Limit (dB μ V)	Margin (dB)	Meas. Time (ms)	Bandwidth (kHz)	Line	Filter	Corr. (dB)
0.168000	56.61	---	65.06	8.45	1000.0	9.000	L1	ON	19.6
0.170250	---	40.34	54.95	14.61	1000.0	9.000	L1	ON	19.6
0.309750	39.51	---	59.98	20.47	1000.0	9.000	L1	ON	19.6
0.336750	---	24.19	49.28	25.09	1000.0	9.000	L1	ON	19.6
0.658500	18.70	---	56.00	37.30	1000.0	9.000	L1	ON	19.6
0.665250	---	13.82	46.00	32.18	1000.0	9.000	L1	ON	19.6
2.278500	18.80	---	56.00	37.20	1000.0	9.000	L1	ON	19.6
2.373000	---	15.68	46.00	30.32	1000.0	9.000	L1	ON	19.6
4.911000	18.99	---	56.00	37.01	1000.0	9.000	L1	ON	19.7
5.124750	---	16.39	50.00	33.61	1000.0	9.000	L1	ON	19.7
24.103500	23.19	---	60.00	36.81	1000.0	9.000	L1	ON	20.0
24.348750	---	18.09	50.00	31.91	1000.0	9.000	L1	ON	20.1

L line

Conducted Emission from 150 KHz to 30 MHz



Frequency (MHz)	QuasiPeak (dB µV)	Average (dB µV)	Limit (dB µV)	Margin (dB)	Meas. Time (ms)	Bandwidth (kHz)	Line	Filter	Corr. (dB)
0.168000	---	35.67	55.06	19.39	1000.0	9.000	N	ON	19.7
0.170250	48.95	---	64.95	16.00	1000.0	9.000	N	ON	19.7
0.269250	39.75	---	61.14	21.39	1000.0	9.000	N	ON	19.6
0.336750	---	21.99	49.28	27.29	1000.0	9.000	N	ON	19.6
0.636000	20.73	---	56.00	35.27	1000.0	9.000	N	ON	19.6
0.660750	---	14.91	46.00	31.09	1000.0	9.000	N	ON	19.6
1.641750	---	18.25	46.00	27.75	1000.0	9.000	N	ON	19.6
1.641750	24.86	---	56.00	31.14	1000.0	9.000	N	ON	19.6
5.280000	21.53	---	60.00	38.47	1000.0	9.000	N	ON	19.7
5.349750	---	17.09	50.00	32.91	1000.0	9.000	N	ON	19.7
21.927750	24.57	---	60.00	35.43	1000.0	9.000	N	ON	19.9
22.524000	---	20.68	50.00	29.32	1000.0	9.000	N	ON	19.9

N line
Conducted Emission from 150 KHz to 30 MHz



4 Main Test Instrument

Name	Manufacturer	Type	Serial Number	Last Cal.	Cal. Due Date
Signal Analyzer	R&S	FSV30	100815	2017-12-17	2018-12-16
EMI Test Receiver	R&S	ESCI	100948	2017-05-20	2018-05-19
Loop Antenna	SCHWARZBECK	FMZB1519	1519-047	2017-02-18	2019-02-17
Trilog Antenna	SCHWARZBECK	VULB 9163	9163-201	2017-11-18	2020-11-17
Horn Antenna	R&S	HF907	100126	2014-12-06	2019-12-05
Horn Antenna	ETS-Lindgren	3160-09	00102643	2015-01-30	2020-01-29
EMI Test Receiver	R&S	ESR	101667	2017-09-06	2018-09-05
LISN	R&S	ENV216	101171	2016-12-16	2019-12-15
Bore Sight Antenna mast	ETS	2171B	00058752	NA	NA
Test software	EMC32	R&S	V9.26.0	NA	NA

*****END OF REPORT *****