



FCC SAR TEST REPORT

Report No.: SET2021-01641

Product: LTE/WCDMA/GSM(GPRS) Multi-Mode Digital Mobile Phone

Trade Name: ZTE

Model No.: ZTE Blade A31 Lite

FCC ID: SRQ-ZTEA31LITE

Applicant: ZTE CORPORATION

Address: ZTE Plaza, Keji Road South, Hi-Tech, Industrial Park, Nanshan District, Shenzhen, Guangdong, 518057, P.R.China

Issued by: CCIC Southern Testing Co., Ltd.

Lab Location: Electronic Testing Building, No. 43 Shahe Road Xili Street, Nanshan District, Shenzhen, Guangdong 518055, China

Tel: 86 755 26627338 **Fax:** 86 755 26627238

Mail: manager@ccic-set.com **Website:** <http://www.ccic-set.com>

This test report consists of 60 pages in total. It may be duplicated completely for legal use with the approval of the applicant. It should not be reproduced except in full, without the written approval of our laboratory. The client should not use it to claim product endorsement by CCIC-SET. The test results in the report only apply to the tested sample. The test report shall be invalid without all the signatures of testing engineers, reviewer and approver. Any objections must be raised to CCIC-SET within 15 days since the date when the report is received. It will not be taken into consideration beyond this limit.



Test Report

Product.: LTE/WCDMA/GSM(GPRS) Multi-Mode Digital Mobile Phone

Model No.: ZTE Blade A31 Lite

Brand Name.....: ZTE

FCC ID.....: SRQ-ZTEA31LITE

Applicant.....: ZTE CORPORATION

Applicant Address.....: ZTE Plaza, Keji Road South, Hi-Tech, Industrial Park,Nanshan District,Shenzhen, Guangdong, 518057, P.R.China

Manufacturer.....: ZTE CORPORATION

Manufacturer Address: ZTE Plaza, Keji Road South, Hi-Tech, Industrial Park,Nanshan District,Shenzhen, Guangdong, 518057, P.R.China

Test Standards.....: **47CFR §2.1093-** Radiofrequency Radiation Exposure Evaluation: Portable Devices;
ANSI C95.1–1992: Safety Levels with Respect to Human Exposure to Radio Frequency Electromagnetic Fields, 3 kHz – 300 GHz.(IEEE Std C95.1-1991)
IEEE 1528–2013: IEEE Recommended Practice for Determining the Peak Spatial-Average Specific Absorption Rate (SAR) in the Human Head from Wireless Communications Devices: Measurement Techniques

Test Result.....: Pass

Test Date.....: 2021.01.25-2021.01.31

Tested by: Xinyuan Fang 2021-02-25
Xinyuan Fang, Test Engineer

Reviewed by.....: Chris You 2021-02-25
Chris You, Senior Engineer

Approved by.....: Shuangwen Zhang 2021-02-25
Shuangwen Zhang, Manager



Contents

Test Report	2
1. Administrative Data.....	4
2. Equipment Under Test (EUT).....	5
3. SAR Summary.....	7
4. Specific Absorption Rate (SAR).....	9
5. Tissue check and recommend Dielectric Parameters	13
6. SAR measurement procedure	18
7. Conducted RF Output Power	19
8. Scaling Factor calculation	37
9. Test Results	39
10. Simultaneous Transmissions Analysis.....	53
11. Measurement Uncertainty.....	55
12. Equipment List.....	59
ANNEX A: Appendix A: SAR System performance Check Plots.....	60
ANNEX B: Appendix B: SAR Measurement results Plots.....	60
ANNEX C: Appendix C: Calibration reports	60
ANNEX D: Appendix D: SAR Test Setup.....	60



1. Administrative Data

1.1 Testing Laboratory

Test Site: CCIC Southern Testing Co., Ltd.

Address: Electronic Testing Building, No. 43 Shahe Road Xili Street, Nanshan District, Shenzhen, Guangdong 518055, China

CNAS Lab Code: CCIC-SET is a third party testing organization accredited by China National Accreditation Service for Conformity Assessment (CNAS) according to ISO/IEC 17025. The accreditation certificate number is L1659.

NVLAP Lab Code: CCIC-SET is a third party testing organization accredited by NVLAP according to ISO/IEC 17025. The accreditation certificate number is 201008-0.

FCC Registration: CCIC Southern Testing Co., Ltd. EMC Laboratory has been registered and fully described in a report filed with the FCC (Federal Communications Commission). The acceptance letter from the FCC is maintained in our files. Designation Number: CN5031, valid time is until December 31, 2021.

ISED Registration: CCIC Southern Testing Co., Ltd. EMC Laboratory has been registered by Certification and Engineering Bureau of Industry Canada for the performance of radiated measurements with Registration No. 11185A-1 on Aug. 04, 2016, valid time is until December 31, 2021.

Test Environment Temperature (°C): 21 °C

Condition: Relative Humidity (%): 60%

Atmospheric Pressure (kPa): 86KPa-106KPa

2. Equipment Under Test (EUT)

Identification of the Equipment under Test

Device Type:	Portable	
Exposure Category:	Population/Uncontrolled	
Sample Name:	LTE/WCDMA/GSM(GPRS) Multi-Mode Digital Mobile Phone	
Brand Name:	ZTE	
Model Name:	ZTE Blade A31 Lite	
	Support Band	GSM850/900/1800/1900MHz, WCDMA 850/900/1700/1900/2100MHz LTE Band 2/4/5/7/12/17/28,WIFI 2.4G, BT,NFC
	Test Band	GSM850MHz/1900MHz, WCDMA 850MHz/1900MHz/1700MHz, LTE Band 2/4/5/7/12/17,WIFI 2.4G, BT
	Device Class	Class B
	Multi Class	GPRS: Class 12; EGPRS: Class 12
	Development Stage	Identical Prototype
General description:	Accessories	Power Supply
	Hotspot	2.4GHz WLAN support Hotspot mode
	Antenna type	Internal Antenna
	Operation mode	GSM /WCDMA / LTE /WIFI
	Modulation mode	GSM(GMSK),UMTS(QPSK),LTE(QPSK,16QAM,64QAM), WIFI(DSSS),BT(GFSK/ π /4-DQPSK/8-DPSK)
	DTM mode	Not support
	Hardware Version	ujwB
	Software Version	GEN_LA_F_A31_Lite_V1.0
	Battery options :	Model No.: Li3820T43P4h695945 Manufacturer: Ningbo Veken Battery Co., Ltd.
	Max. SAR Value	Head: 0.779 W/Kg Body: 1.411 W/Kg(Limit:1.6W/Kg, 10mm distance)

NOTE:

- a. The above EUT's information was declared by manufacturer. Please refer to the specifications or user's manual for more detailed description.



EUT testing configuration

Tested frequency range(s)	Transmitter Frequency Range	Receiver Frequency Range
GSM850:	824-849 MHz	869-894 MHz
GSM1900:	1850-1910 MHz	1930-1990 MHz
UMTS Band II:	1850-1910 MHz	1930-1990 MHz
UMTS Band IV:	1710-1755 MHz	2110-2155 MHz
UMTS Band V:	824-849 MHz	869-894 MHz
LTE Band2:	1850-1910 MHz	1930-1990 MHz
LTE Band4:	1710-1755 MHz	2110-2155 MHz
LTE Band5:	824-849 MHz	869-894 MHz
LTE Band7:	2500-2570 MHz	2620-2690 MHz
LTE Band12:	698-716 MHz	728-746 MHz
LTE Band17:	704-716 MHz	734-746 MHz
WIFI(tested):	2412-2462 MHz	
Bluetooth:	2402-2480 MHz	
Test channels(low-mid-high):	128-190-251(GSM850)	
	512-661-810(GSM1900)	
	9262-9400-9538(UMTS Band II)	
	1312-1412-1513(UMTS Band IV)	
	4132-4183-4233(UMTS Band V)	
	18700-18900-19100(LTE Band 2 Bandwidth 20M)	
	20050-20175-20300(LTE Band 4 Bandwidth 20M)	
	20450-20525-20600(LTE Band 5 Bandwidth 10M)	
	20850-21100-21350(LTE Band 7 Bandwidth 10M)	
	23060-23095-23130(LTE Band 12 Bandwidth 10M)	
	23780-23790-23800(LTE Band 17 Bandwidth 10M)	
	1-6-11(Wi-Fi 2.4G 802.11b)	
	0-39-78(BT)	



3. SAR Summary

Highest Standalone SAR Summary

Exposure Position	Frequency Band	Scaled 1g-SAR(W/kg)	Highest Scaled 1g-SAR(W/kg)
Head	GSM850	0.490	0.779
	GSM1900	0.140	
	WCDMA Band II	0.261	
	WCDMA Band IV	0.779	
	WCDMA Band V	0.411	
	LTE Band 2	0.215	
	LTE Band 4	0.584	
	LTE Band 5	0.439	
	LTE Band 7	0.438	
	LTE Band 12	0.454	
	LTE Band 17	0.337	
	WIFI	0.626	
	BT	0.208	

Exposure Position	Frequency Band	Scaled 1g-SAR(W/kg)	Highest Scaled 1g-SAR(W/kg)
Body-worn (10mm Gap)	GSM850	0.647	1.010
	GSM1900	0.197	
	WCDMA Band II	0.525	
	WCDMA Band IV	0.770	
	WCDMA Band V	0.485	
	LTE Band 2	0.495	
	LTE Band 4	0.719	
	LTE Band 5	0.493	
	LTE Band 7	1.010	
	LTE Band 12	0.715	
	LTE Band 17	0.523	
	WIFI	0.319	
	BT	0.056	



Exposure Position	Frequency Band	Scaled 1g-SAR(W/kg)	Highest Scaled 1g-SAR(W/kg)
Hotspot (10mm Gap)	GSM850	0.647	1.411
	GSM1900	0.296	
	WCDMA Band II	0.730	
	WCDMA Band IV	0.899	
	WCDMA Band V	0.485	
	LTE Band 2	0.777	
	LTE Band 4	0.834	
	LTE Band 5	0.493	
	LTE Band 7	1.411	
	LTE Band 12	0.715	
	LTE Band 17	0.523	
	WIFI 2.4G 802.11b	0.319	

Highest Simultaneous SAR Summary

Exposure Position	Frequency Band	Highest Scaled 1g-SAR(W/kg)
Hotspot (10mmGap)	WWAN(LTE Band7)&WIFI 2.4G	1.411

4. Specific Absorption Rate (SAR)

4.1 Introduction

SAR is related to the rate at which energy is absorbed per unit mass in an object exposed to a radio field. The SAR distribution in a biological body is complicated and is usually carried out by experimental techniques or numerical modeling. The standard recommends limits for two tiers of groups, occupational/controlled and general population/uncontrolled, based on a person's awareness and ability to exercise control over his or her exposure. In general, occupational/controlled exposure limits are higher than the limits for general population/uncontrolled.

The SAR definition is the time derivative (rate) of the incremental energy (dW) absorbed by (dissipated in) an incremental mass (dm) contained in a volume element (dv) of a given density (ρ). The equation description is as below:

$$\text{SAR} = \frac{d}{dt} \left(\frac{dW}{dm} \right) = \frac{d}{dt} \left(\frac{dW}{\rho dv} \right)$$

SAR is expressed in units of Watts per kilogram (W/kg)

SAR measurement can be either related to the temperature elevation in tissue by

$$\text{SAR} = C \frac{\delta T}{\delta t}$$

where C is the specific heat capacity, δT is the temperature rise and δt the exposure duration, or related to the electrical field in the tissue by

$$\text{SAR} = \frac{\sigma |E|^2}{\rho}$$

where σ is the conductivity of the tissue, ρ is the mass density of the tissue and E is the rms electrical field strength.

However for evaluating SAR of low power transmitter, electrical field measurement is typically applied.



4.2 Applicable Standards and Limits

4.2.1 Applicable Standards

47CFR §2.1093	Radiofrequency Radiation Exposure Evaluation: Portable Devices
ANSI C95.1-1992	Safety Levels with Respect to Human Exposure to Radio Frequency Electromagnetic Fields, 3 kHz – 300 GHz.(IEEE Std C95.1-1991)
IEEE 1528-2013	IEEE Recommended Practice for Determining the Peak Spatial-Average Specific Absorption Rate (SAR) in the Human Head from Wireless Communications Devices: Measurement Techniques
KDB 248227 D01	v02r02 802.11 Wi-Fi SAR
KDB 447498 D01	v06 General RF Exposure Guidance
KDB 648474 D04	v01r03 Handset SAR
KDB 865664 D01	v01r04 SAR Measurement 100MHz to 6GHz
KDB 865664 D02	v01r02 SAR Exposure Reporting
KDB 941225 D01	v03r01 3G SAR Procedures
KDB 941225 D05	v02r05 SAR for LTE Devices
KDB 941225 D05A	v01r02 LTE Rel.10 KDB Inquiry Sheet
KDB 941225 D06	v02r01 Hotspot Mode

4.2.2 RF exposure Limits

Human Exposure	Uncontrolled Environment General Population
Spatial Peak SAR* (Brain/Body)	1.60 mW/g
Spatial Average SAR** (Whole Body)	0.08 mW/g
Spatial Peak SAR*** (Limbs)	4.00 mW/g

The limit applied in this test report is shown in bold letters.

Notes:

* The Spatial Peak value of the SAR averaged over any 10 grams of tissue (defined as a tissue volume in the shape of a cube) and over the appropriate averaging time

** The Spatial Average value of the SAR averaged over the whole body.

*** The Spatial Peak value of the SAR averaged over any 10 grams of tissue (defined as a tissue volume in the shape of a cube) and over the appropriate averaging time.

4.3 Phantoms

The phantom used for all tests i.e. for both system checks and device testing, was the twin-headed "SAM Phantom", manufactured by SATIMO. The SAM twin phantom is a fiberglass shell phantom with 2mm shell thickness (except the ear region, where shell thickness increases to 6mm).

System checking was performed using the flat section, whilst Head SAR tests used the left and right head profile sections. Body SAR testing also used the flat section between the head profiles.

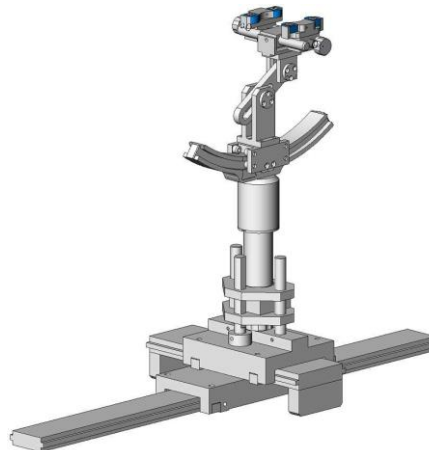


SAM Twin Phantom

4.4 Device Holder

The device was placed in the device holder (illustrated below) that is supplied by SATIMO as an integral part of the COMOSAR test system.

The device holder is designed to cope with the different positions given in the standard. It has two scales for device rotation (with respect to the body axis) and device inclination (with respect to the line between the ear reference points). The rotation centers for both scales is the ear reference point (ERP). Thus the device needs no repositioning when changing the angles.



Device holder

4.5 Probe Specification

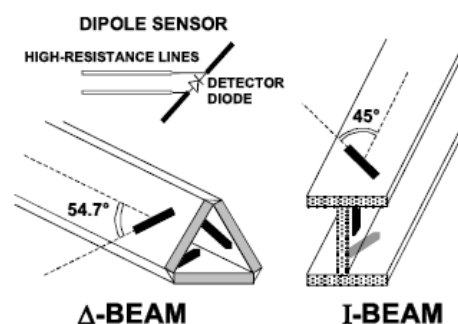


Construction	Symmetrical design with triangular core Interleaved sensors Built-in shielding against static charges PEEK enclosure material (resistant to organic solvents, e.g., DGBE)
Calibration	ISO/IEC 17025 calibration service available.
Frequency	700 MHz to 3 GHz; Linearity: ± 0.5 dB (700 MHz to 3 GHz)
Directivity	± 0.25 dB in HSL (rotation around probe axis) ± 0.5 dB in tissue material (rotation normal to probe axis)
Dynamic Range	1.5 μ W/g to 100 mW/g; Linearity: ± 0.5 dB
Dimensions	Overall length: 330 mm (Tip: 20 mm) Tip diameter: 5 mm Distance from probe tip to dipole centers: < 2.7 mm
Application	General dosimetry up to 3 GHz Dosimetry in strong gradient fields Compliance tests of mobile phones
Compatibility	COMOSAR

Isotropic E-Field Probe

The isotropic E-Field probe has been fully calibrated and assessed for isotropicity, and boundary effect within a controlled environment. Depending on the frequency for which the probe is calibrated the method utilized for calibration will change.

The E-Field probe utilizes a triangular sensor arrangement as detailed in the diagram below:



5. Tissue check and recommend Dielectric Parameters

5.1 Tissue Dielectric Parameters for Head and Body Phantoms

The head tissue dielectric parameters recommended by the IEEE SCC-34/SC-2 in P1528 have been incorporated in the following table. These head parameters are derived from planar layer models simulating the highest expected SAR for the dielectric properties and tissue thickness Power drifts in a human head. Other head and body tissue parameters that have not been specified in P1528 are derived from the tissue dielectric parameters computed from the 4-Cole-Cole equations described in Reference [12] and extrapolated according to the head parameters specified in P1528.

Table 1: Recommended Dielectric Performance of Tissue

Ingredients (% by weight)	Frequency (MHz)											
	450		835		915		1900		2450		2600	
Tissue Type	Head	Body	Head	Body	Head	Body	Head	Body	Head	Body	Head	Body
Water	38.56	51.16	41.46	52.4	41.05	56.0	54.9	40.4	62.7	73.2	55.24	64.49
Salt (NaCl)	3.95	1.49	1.45	1.4	1.35	0.76	0.18	0.5	0.5	0.04	0.5	0.024
Sugar	56.32	46.78	56.0	45.0	56.5	41.76	0.0	58.0	0.0	0.0	0.0	0.0
HEC	0.98	0.52	1.0	1.0	1.0	1.21	0.0	1.0	0.0	0.0	0.0	0.0
Bactericide	0.19	0.05	0.1	0.1	0.1	0.27	0.0	0.1	0.0	0.0	0.0	0.0
Triton x-100	0.0	0.0	0.0	0.0	0.0	0.0	0.0	0.0	36.8	0.0	44.45	32.25
DGBE	0.0	0.0	0.0	0.0	0.0	0.0	44.92	0.0	0.0	26.7	0.0	26.7
Dielectric Constant	43.42	58.0	42.54	56.1	42.0	56.8	39.9	54.0	39.2	52.5	39.0	52.5
Conductivity (s/m)	0.85	0.83	0.91	0.95	1.0	1.07	1.42	1.45	1.80	1.78	1.96	2.16

MSL/HSL750 (Body and Head liquid for 650 – 850 MHz)

Item	Head Tissue Simulation Liquid HSL750 Muscle(body)Tissue Simulation Liquid MSL750			
H2O	Water, 35 – 58%			
Sucrose	Sugar, white, refined, 40-60%			
NaCl	Sodium Chloride, 0-6%			
Hydroxyethyl-cellulose	Medium Viscosity (CAS# 9004-62-0), <0.3%			
Preventol-D7	Preservative: aqueous preparation, (CAS# 55965-84-9), containing 5-chloro-2-methyl-3(2H)-isothiazolone and 2-methyl-3(2H)-isothiazolone, 0.1-0.7%			
Frequency (MHz)	Head ϵ_r	Head σ (S/m)	Body ϵ_r	Body σ (S/m)
750	41.9	0.89	55.2	0.97

Note: The liquid of 700MHz&2600MHz typical liquid composition is provided by SATIMO.

Frequency:5200/5400/5600/5800MHz	
Ingredients	(% by weight)
Water	78
Mineral oil	11
Emulsifiers	9
Additives and Salt	2

Table 2 Recommended Tissue Dielectric Parameters

Frequency (MHz)	Head Tissue		Body Tissue	
	ϵ_r	σ (S/m)	ϵ_r	σ (S/m)
150	52.3	0.76	61.9	0.80
300	45.3	0.87	58.2	0.92
450	43.5	0.87	56.7	0.94
835	41.5	0.90	55.2	0.97
900	41.5	0.97	55.0	1.05
915	41.5	0.98	55.0	1.06
1450	40.5	1.20	54.0	1.30
1610	40.3	1.29	53.8	1.40
1800-2000	40.0	1.40	53.3	1.52
2450	39.2	1.80	52.7	1.95
3000	38.5	2.40	52.0	2.73
5800	35.3	5.27	48.2	6.00

5.2 Simulate liquid

Liquid check results:

Table 3: Dielectric Performance of Head Tissue Simulating Liquid

Temperature: 23.2 °C; Humidity: 64%;			
/	Frequency	Permittivity ϵ	Conductivity σ (S/m)
Target value	750MHz	41.9 \pm 5%	0.89 \pm 5%
Validation value (2021-01-31)	750MHz	41.94	0.93
Target value	835MHz	41.5 \pm 5%	0.90 \pm 5%
Validation value (2021-01-25)	835MHz	41.53	0.92
Target value	1800MHz	40.5 \pm 5%	1.40 \pm 5%
Validation value (2021-01-27)	1800MHz	40.55	1.45
Target value	1900MHz	40.5 \pm 5%	1.40 \pm 5%
Validation value (2021-01-28)	1900MHz	40.49	1.39
Target value	2450MHz	39.2 \pm 5%	1.80 \pm 5%
Validation value (2021-01-29)	2450MHz	39.21	1.81
Target value	2600MHz	39.0 \pm 5%	1.96 \pm 5%
Validation value (2021-01-30)	2600MHz	39.00	1.96

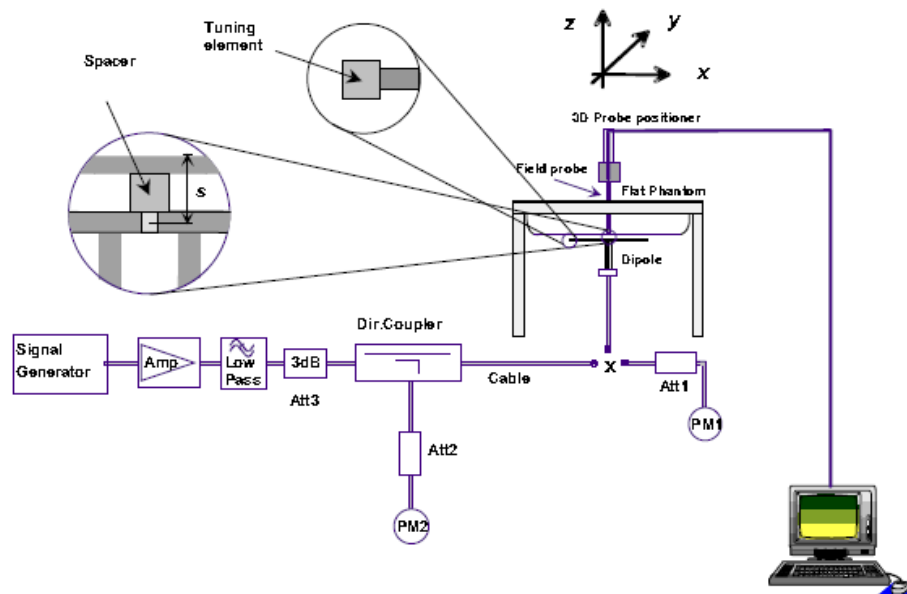
Dielectric Performance of Body Tissue Simulating Liquid

Temperature: 23.2 °C; Humidity: 64%;			
/	Frequency	Permittivity ϵ	Conductivity σ (S/m)
Target value	750MHz	55.5 \pm 5%	0.96 \pm 5%
Validation value (2021-01-31)	750MHz	55.52	0.97
Target value	835MHz	55.2 \pm 5%	0.97 \pm 5%
Validation value (2021-01-25)	835MHz	55.21	0.97
Target value	1800MHz	53.3 \pm 5%	1.52 \pm 5%
Validation value (2021-01-27)	1800MHz	53.34	1.56
Target value	1900MHz	53.3 \pm 5%	1.52 \pm 5%
Validation value (2021-01-28)	1900MHz	53.28	1.50
Target value	2450MHz	52.7 \pm 5%	1.95 \pm 5%
Validation value (2021-01-29)	2450MHz	52.69	1.95
Target value	2600MHz	52.5 \pm 5%	2.16 \pm 5%
Validation value (2021-01-30)	2600MHz	52.53	2.18

SAR System validation

Prior to the assessment, the system validation kit was used to test whether the system was operating within its specifications of $\pm 10\%$. The validation results are tabulated below. And also the corresponding SAR plot is attached as well in the SAR plots files.

The following procedure, recommended for performing validation tests using box phantoms is based on the procedures described in the IEEE standard P1528. Setup according to the setup diagram below:



With the SG and Amp and with directional coupler in place, set up the source signal at the relevant frequency and use a power meter to measure the power at the end of the SMA cable that you intend to connect to the balanced dipole. Adjust the SG to make this, say, 0.01W (10 dBm). If this level is too high to read directly with the power meter sensor, insert a calibrated attenuator (e.g. 10 or 20 dB) and make a suitable correction to the power meter reading.

Note 1: In this method, the directional coupler is used for monitoring rather than setting the exact feed power level.

If, however, the directional coupler is used for power measurement, you should check the frequency range and power rating of the coupler and measure the coupling factor (referred to output) at the test frequency using a VNA.

Note 2: Remember that the use of a 3dB attenuator (as shown in Figure 8.1 of P1528) means that you need an RF amplifier of 2 times greater power for the same feed power. The other issue is the cable length. You might get up to 1dB of loss per meter of cable, so the cable length after the coupler needs to be quite short.

Note 3: For the validation testing done using CW signals, most power meters are suitable. However, if you are measuring the output of a modulated signal from either a signal generator or a handset, you must ensure that the power meter correctly reads the modulated signals.

The measured 1-gram averaged SAR values of the device against the phantom are provided in Tables 5 and Table 6. The humidity and ambient temperature of test facility were 64% and 23.2 °C respectively. The body phantom were full of the body tissue simulating liquid. The EUT was supplied with full-charged battery for each measurement.

The distance between the back of the EUT and the bottom of the flat phantom is 10 mm (taking into account of the IEEE 1528 and the place of the antenna).

Table 4: Head SAR system validation (1g)

Frequency	Duty cycle	Target value (W/kg)	Test value (W/kg)	
			10 mW	1W
750MHz(2021-01-31)	1:1	8.73 ±10%	0.0874	8.74
835MHz(2021-01-25)	1:1	9.69 ±10%	0.0936	9.36
1800MHz(2021-01-27)	1:1	37.25 ±10%	0.3728	37.28
1900MHz(2021-01-28)	1:1	39.71 ±10%	0.3772	37.72
2450MHz(2021-01-29)	1:1	53.71 ±10%	0.5437	54.37
2600MHz(2021-01-30)	1:1	56.47 ±10%	0.5739	57.39

Body SAR system validation (1g)

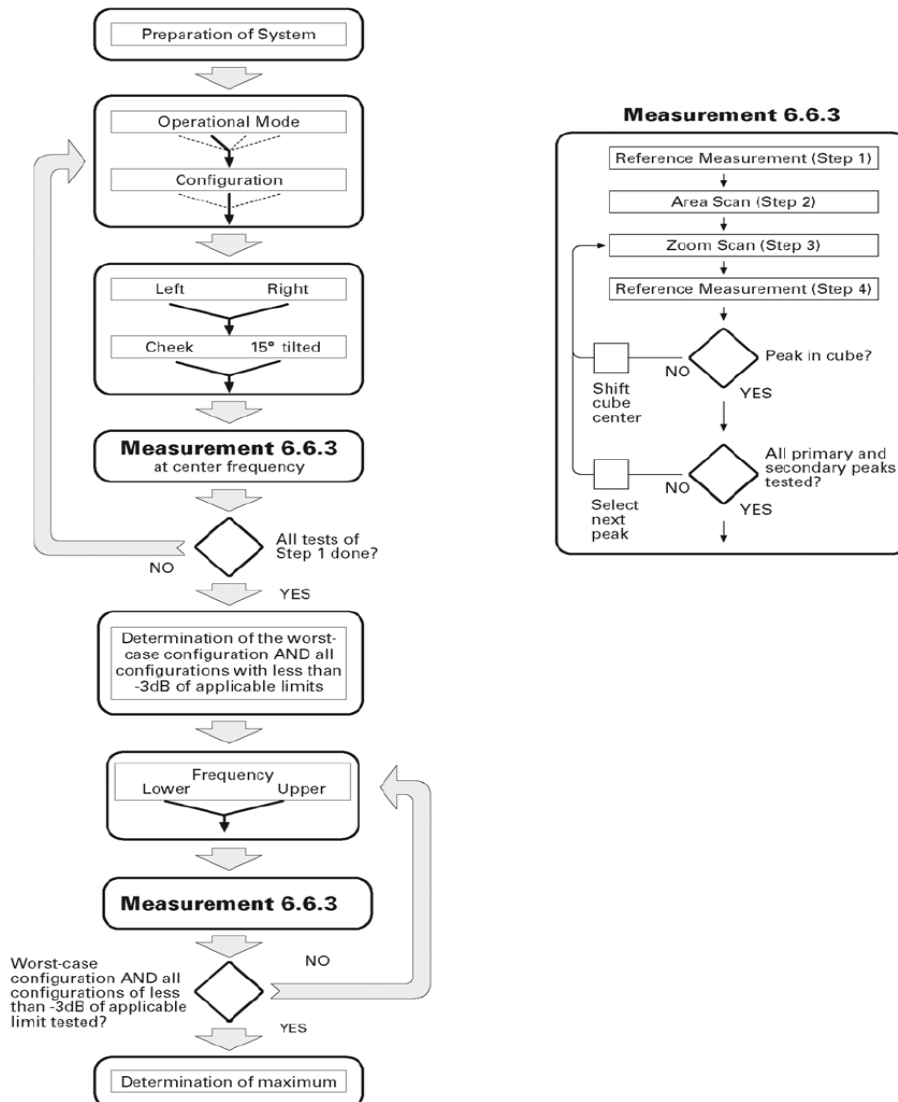
Frequency	Duty cycle	Target value (W/kg)	Test value (W/kg)	
			10 mW	1W
750MHz(2021-01-31)	1:1	8.82 ±10%	0.0843	8.43
835MHz(2021-01-25)	1:1	9.97 ±10%	0.1003	10.03
1800MHz(2021-01-27)	1:1	38.57 ±10%	0.3878	38.78
1900MHz(2021-01-28)	1:1	40.69 ±10%	0.4170	41.70
2450MHz(2021-01-29)	1:1	54.83 ±10%	0.5490	54.90
2600MHz(2021-01-30)	1:1	57.16 ±10%	0.5657	56.57

* Note: Target value was referring to the measured value in the calibration certificate of reference dipole.

Note: All SAR values are normalized to 1W forward power.

6. SAR measurement procedure

The SAR test against the head phantom was carried out as follow:



Establish a call with the maximum output power with a base station simulator, the connection between the EUT and the base station simulator is established via air interface.

After an area scan has been done at a fixed distance of 2mm from the surface of the phantom on the source side, a 3D scan is set up around the location of the maximum spot SAR. First, a point within the scan area is visited by the probe and a SAR reading taken at the start of testing. At the end of testing, the probe is returned to the same point and a second reading is taken. Comparison between these start and end readings enables the power drift during measurement to be assessed.

Above is the scanning procedure flow chart and table from the IEEEp1528 standard. This is the procedure for which all compliant testing should be carried out to ensure that all variations of the device position and transmission behavior are tested.



7. Conducted RF Output Power

7.1 GSM Conducted Power

GSM850		Burst-Averaged output Power (dBm)			Division Factors	Frame-Averaged output Power (dBm)		
		128CH	190CH	251CH		28CH	190CH	251CH
GSM (CS)		32.03	32.14	32.32	-9.03	23.00	23.11	23.29
GPRS (GMSK)	1 Tx Slot	32.10	32.12	32.21	-9.03	23.07	23.09	23.18
	2 Tx Slots	30.02	30.05	30.13	-6.02	24.00	24.03	24.11
	3 Tx Slots	28.46	28.50	28.57	-4.26	24.20	24.24	24.31
	4 Tx Slots	27.23	27.29	27.34	-3.01	24.22	24.28	24.33
EDGE (8PSK)	1 Tx Slot	26.32	26.24	26.40	-9.03	17.29	17.21	17.37
	2 Tx Slots	24.88	24.82	24.91	-6.02	18.86	18.80	18.89
	3 Tx Slots	23.23	23.19	23.30	-4.26	18.97	18.93	19.04
	4 Tx Slots	21.80	21.77	21.86	-3.01	18.79	18.76	18.85
GSM1900		Burst-Averaged output Power (dBm)			Division Factors	Frame-Averaged output Power (dBm)		
		512CH	661CH	810CH		512CH	661CH	810CH
GSM (CS)		30.02	30.31	30.22	-9.03	20.99	21.28	21.19
GPRS (GMSK)	1 Tx Slot	30.23	30.50	30.21	-9.03	21.20	21.47	21.18
	2 Tx Slots	28.12	28.33	28.10	-6.02	22.10	22.31	22.08
	3 Tx Slots	26.33	26.54	26.26	-4.26	22.07	22.28	22.00
	4 Tx Slots	25.18	25.35	25.13	-3.01	22.17	22.34	22.12
EDGE (8PSK)	1 Tx Slot	25.02	25.23	25.39	-9.03	15.99	16.20	16.36
	2 Tx Slots	23.64	23.77	23.82	-6.02	17.62	17.75	17.80
	3 Tx Slots	22.23	22.28	22.35	-4.26	17.97	18.02	18.09
	4 Tx Slots	21.01	21.06	21.17	-3.01	18.00	18.05	18.16

Note: Per KDB 447498 D01 v06, the maximum output power channel is used for SAR testing and for further SAR test reduction.

For hotspot SAR, EUT was performed at GPRS Class 12 multi-slots(4Tx) mode

For Head and Body-worn SAR testing, EUT was set in GSM Voice mode for both GSM850 and GSM1900

Timeslot consignations

No. Of Slots	Slot 1	Slot 2	Slot 3	Slot 4
Slot Consignation	1Up4Down	2UpDown	3UpDown	4Up1Down
Duty Cycle	1:8	1:4	1:2.67	1:2
Crest Factor	-9.03dB	-6.02dB	-4.26dB	-3.01dB

7.2 WCDMA Conducted output Power

UMTS1900 (Band II)		Average Power (dBm)		
		9262CH	9400CH	9538cH
WCDMA	12.2kbps RMC	23.45	23.63	23.01
HSDPA	Subtest 1	23.33	23.50	22.90
	Subtest 2	23.21	23.46	22.77
	Subtest 3	23.08	23.33	22.65
	Subtest 4	22.97	23.20	22.53
HSUPA	Subtest 1	22.84	23.09	22.41
	Subtest 2	22.70	22.98	22.28
	Subtest 3	22.56	22.85	22.17
	Subtest 4	22.43	22.73	22.05
	Subtest 5	22.30	22.61	21.94
UMTS1700 (Band IV)		Average Power (dBm)		
		1313CH	1413CH	1513CH
WCDMA	12.2kbps RMC	23.38	22.52	23.02
HSDPA	Subtest 1	23.26	22.40	22.91
	Subtest 2	23.13	22.29	22.78
	Subtest 3	23.01	22.17	22.67
	Subtest 4	22.89	22.05	22.54
HSUPA	Subtest 1	22.76	21.97	22.42
	Subtest 2	22.64	21.85	22.30
	Subtest 3	22.52	21.74	22.18
	Subtest 4	22.40	21.62	22.06
	Subtest 5	22.27	21.51	21.93
UMTS850 (Band V)		Average Power (dBm)		
		4132CH	4183CH	4233CH
WCDMA	12.2kbps RMC	22.41	22.47	22.85
HSDPA	Subtest 1	22.27	22.34	22.73
	Subtest 2	22.15	22.23	22.61
	Subtest 3	22.02	22.10	22.46
	Subtest 4	21.94	21.99	22.34
HSUPA	Subtest 1	21.82	21.87	22.23
	Subtest 2	21.77	21.76	22.10
	Subtest 3	21.65	21.63	21.94
	Subtest 4	21.53	21.56	21.82
	Subtest 5	21.41	21.44	21.70

Note:

- WCDMA SAR was tested under RMC 12.2kbps with HSPA Inactive per KDB Publication 941225 D01v03r01. HSPA SAR was not required since the average output power of the HSPA subtests was not more than 0.25dB higher than the RMC level and SAR was less than 1.2W/kg.
- It is expected by the manufacturer that MPR for some HSPA subtests may be up to 2dB more than specified by 3GPP, but also as low as 0dB according to the chipset implementation in this model

7.3 LTE Conducted peak output Power

LTE Test Configurations

The CMW500 Wide Band Radio Communication Tester was used for LTE output power measurements and SAR testing. Closed loop power control was used so the UE transmits with maximum output power during SAR testing. SAR test were performed with the same number of RB and RB offsets transmitting on all frames.

1) Spectrum Plots for RB configurations

A properly configured base station simulator was used for LTE output power measurements and SAR testing. Therefore, spectrum plots for RB configurations were not required to be included in this report.

2) MPR

When MPR is implemented permanently within the UE, regardless of network requirements, only those RB configurations allowed by 3GPP for the channel bandwidth and modulation combinations may be tested with MPR active. Configurations with RB allocations less than the RB thresholds required by 3GPP must be tested without MPR.

The allowed Maximum Power Reduction(MPR) for the maximum output power due to higher order modulation and transmit bandwidth configuration (resource blocks) is specified in Table 6.2.3-1 of the 3GPP TS36.101:

Table 6.2.3-1: Maximum Power Reduction (MPR) for Power Class 3

Modulation	Channel bandwidth / Transmission bandwidth configuration [RB]						MPR (dB)
	1.4 MHz	3.0 MHz	5 MHz	10 MHz	15 MHz	20 MHz	
QPSK	> 5	> 4	> 8	> 12	> 16	> 18	≤ 1
16 QAM	≤ 5	≤ 4	≤ 8	≤ 12	≤ 16	≤ 18	≤ 1
16 QAM	> 5	> 4	> 8	> 12	> 16	> 18	≤ 2

3)A-MPR LTE procedures for SAR testing

A-MPR(Additional MPR) has been disabled for all SAR tests by using Network Signaling Value of “NS_01” on the base station simulator.

4)LTE procedures for SAR testing

A) Largest channel bandwidth standalone SAR test

requirements i) QPSK with 1 RB allocation

Start with the largest channel bandwidth and measure SAR for QPSK with 1 RB allocation, using the RB offset and required test channel combination with the highest maximum output power for RB offsets at the upper edge, middle and lower edge of each required test channel. When the reported SAR is $\leq 0.8\text{W/kg}$, testing of the remaining RB offset configurations and required test channels is not required for 1RB allocation; otherwise, SAR is required for the remaining required test channels and only for the RB offset configuration with the highest output power for that channel. When the reported SAR of a required test channel is $> 1.45\text{W/kg}$, SAR is required for all three RB offset configurations for that required test channel.



1. LTE Band 2 Conducted Power Test Verdict:

LTE FDD Band 2				Conducted Power(dBm)			Tune up
Bandwidth	Modulation	RB size	RB offset	Channel/Frequency			
				18607/1850.7	18900/1880	19193/1909.3	
1.4MHz	QPSK	1	0	23.76	23.44	23.5	23.0±1.0
		1	3	23.73	23.65	23.69	
		1	5	23.61	23.51	23.6	
		3	0	23.05	23.08	22.99	22.5±1.0
		3	2	23.09	23.26	22.92	
		3	3	23.22	23.06	22.9	
	6	0	22.64	22.64	22.69	22.0±1.0	
	16QAM	1	0	22.32	22.2	22.43	21.5±1.0
		1	3	22.47	22.46	22.33	
		1	5	22.48	22.13	22.1	
		3	0	21.88	21.63	21.62	21.0±1.0
		3	2	21.61	21.66	21.93	
		3	3	21.95	21.66	21.67	
		6	0	21.47	21.39	21.35	20.5±1.0
Bandwidth	Modulation	RB size	RB offset	Channel/Frequency			Tune up
3MHz	QPSK	1	0	23.66	23.77	23.43	23.0±1.0
		1	7	23.66	23.64	23.6	
		1	14	23.48	23.64	23.4	
		8	0	22.97	23.27	23.2	22.5±1.0
		8	4	23.01	22.97	23.05	
		8	7	22.91	23.3	23.05	
		15	0	22.66	22.75	22.77	22.0±1.0
	16QAM	1	0	22.47	22.21	22.37	21.5±1.0
		1	7	22.28	22.1	22.44	
		1	14	22.25	22.5	22.19	
		8	0	21.6	21.79	21.85	21.0±1.0
		8	4	21.63	21.91	21.79	
		8	7	21.85	21.74	21.8	
		15	0	21.31	21.36	21.33	20.5±1.0



LTE FDD Band 2				Conducted Power(dBm)					
Bandwidth	Modulation	RB size	RB offset	Channel/Frequency			Tune up		
				18625/1852.5	18900/1880	19175/1907.5			
5MHz	QPSK	1	0	23.4	23.62	23.49	23.0±1.0		
		1	13	23.66	23.46	23.7			
		1	24	23.75	23.56	23.42			
		12	0	23.18	23.25	23.14	22.5±1.0		
		12	6	22.96	23.01	23			
		12	13	23.1	23.11	23.24			
	25	0	22.72	22.66	22.69	22.0±1.0			
	16QAM	1	0	22.33	22.37	22.5	21.5±1.0		
		1	13	22.18	22.1	22.42			
		1	24	22.39	22.34	22.45			
		12	0	21.9	21.91	21.77	21.0±1.0		
		12	6	21.83	21.62	21.71			
		12	13	21.69	21.68	21.99			
		25	0	21.45	21.5	21.43	20.5±1.0		
Bandwidth	Modulation	RB size	RB offset	Channel/Frequency			Tune up		
10MHz	QPSK	1	0	23.62	23.55	23.8	23.0±1.0		
		1	25	23.54	23.41	23.79			
		1	49	23.79	23.66	23.77			
		25	0	22.94	23.27	23.14	22.5±1.0		
		25	13	23.23	23.13	23.09			
		25	25	23.3	22.93	23.21			
		50	0	22.78	22.8	22.69	22.0±1.0		
	16QAM	1	0	22.48	22.49	22.36	21.5±1.0		
		1	25	22.17	22.33	22.12			
		1	49	22.34	22.22	22.25			
		25	0	21.99	21.95	21.72	21.0±1.0		
		25	13	22	21.97	21.93			
		25	25	21.77	21.87	21.75			
		50	0	21.44	21.39	21.38	20.5±1.0		
		Bandwidth	Modulation	RB size	RB offset	18650/1855	18900/1880	19150/1905	Tune up



LTE FDD Band 2				Conducted Power(dBm)			
Bandwidth	Modulation	RB size	RB offset	Channel/Frequency			Tune up
				18675/1857.5	18900/1880	19125/1902.5	
15MHz	QPSK	1	0	23.5	23.73	23.55	23.0±1.0
		1	38	23.59	23.65	23.42	
		1	74	23.73	23.54	23.54	
		36	0	22.95	23.03	22.97	22.5±1.0
		36	18	23.29	23.23	23.28	
		36	39	22.9	23.28	23.23	
	75	0	22.63	22.61	22.64	22.0±1.0	
	16QAM	1	0	22.46	22.19	22.37	21.5±1.0
		1	38	22.44	22.33	22.48	
		1	74	22.22	22.25	22.39	
		36	0	21.89	21.68	21.92	21.0±1.0
		36	18	21.69	21.98	21.77	
		36	39	21.66	21.72	21.91	
		75	0	21.33	21.33	21.38	20.5±1.0
Bandwidth	Modulation	RB size	RB offset	Channel/Frequency			Tune up
				18700/1860	18900/1880	19100/1900	
20MHz	QPSK	1	0	23.83	23.73	23.62	23.0±1.0
		1	50	23.46	23.73	23.46	
		1	99	23.56	23.72	23.72	
		50	0	23.26	23.07	22.94	22.5±1.0
		50	25	23.01	23.17	22.96	
		50	50	23.19	23.23	23.2	
		100	0	22.65	22.66	22.63	22.0±1.0
	16QAM	1	0	22.19	22.5	22.29	21.5±1.0
		1	50	22.16	22.21	22.29	
		1	99	22.19	22.2	22.27	
		50	0	21.82	21.91	21.87	21.0±1.0
		50	25	21.7	21.76	21.8	
		50	50	21.92	21.92	21.63	
		100	0	21.37	21.32	21.33	20.5±1.0



2. LTE Band 4 Conducted Power Test Verdict:

LTE FDD Band 4				Conducted Power(dBm)			Tune up
Bandwidth	Modulation	RB size	RB offset	Channel/Frequency			
				19957/1710.7	20175/1732.5	20393/1754.3	
1.4MHz	QPSK	1	0	23.09	22.94	23.21	22.5±1.0
		1	3	23.1	23.28	23	
		1	5	23.01	23.23	23.02	
		3	0	22.74	22.43	22.76	22.0±1.0
		3	2	22.51	22.4	22.52	
		3	3	22.61	22.6	22.5	
		6	0	22.23	22.2	22.1	21.5±1.0
	16QAM	1	0	21.75	21.68	21.64	21.0±1.0
		1	3	21.87	21.86	21.84	
		1	5	21.92	21.76	21.81	
		3	0	21.3	21.44	21.28	20.5±1.0
		3	2	21.25	21.2	21.32	
		3	3	21.45	21.38	21.19	
		6	0	21	20.89	20.8	20.0±1.0
Bandwidth	Modulation	RB size	RB offset	Channel/Frequency			Tune up
3MHz	QPSK	1	0	23.19	23.21	22.98	22.5±1.0
		1	7	23.19	23.27	23.3	
		1	14	22.98	23.13	23.05	
		8	0	22.72	22.48	22.68	22.0±1.0
		8	4	22.6	22.77	22.52	
		8	7	22.55	22.67	22.56	
		15	0	22.25	22.17	22.23	21.5±1.0
	16QAM	1	0	21.76	21.96	21.78	21.0±1.0
		1	7	21.72	21.7	21.61	
		1	14	21.86	21.64	22	
		8	0	21.42	21.47	21.37	20.5±1.0
		8	4	21.1	21.47	21.32	
		8	7	21.29	21.21	21.23	
		15	0	20.87	20.86	20.85	20.0±1.0



LTE FDD Band 4				Conducted Power(dBm)			
Bandwidth	Modulation	RB size	RB offset	Channel/Frequency			Tune up
				19975/1712.5	20175/1732.5	20375/1752.5	
5MHz	QPSK	1	0	23.18	23.19	22.98	22.5±1.0
		1	13	22.9	22.93	23.23	
		1	24	22.95	22.98	22.95	
		12	0	22.73	22.79	22.4	22.0±1.0
		12	6	22.56	22.64	22.62	
		12	13	22.71	22.69	22.44	
		25	0	22.25	22.26	22.18	21.5±1.0
	16QAM	1	0	21.8	21.91	21.74	21.0±1.0
		1	13	21.82	21.68	22	
		1	24	21.82	21.84	21.73	
		12	0	21.5	21.37	21.42	20.5±1.0
		12	6	21.13	21.2	21.15	
		12	13	21.47	21.11	21.46	
		25	0	20.83	20.81	20.84	20.0±1.0
Bandwidth	Modulation	RB size	RB offset	Channel/Frequency			Tune up
10MHz	QPSK	1	0	22.99	23	23.15	22.5±1.0
		1	25	22.95	23.17	23.04	
		1	49	22.99	22.93	23.01	
		25	0	22.64	22.8	22.71	22.0±1.0
		25	13	22.54	22.45	22.65	
		25	25	22.48	22.47	22.49	
		50	0	22.19	22.2	22.18	21.5±1.0
	16QAM	1	0	21.7	21.78	21.62	21.0±1.0
		1	25	21.9	21.69	21.61	
		1	49	21.95	21.86	21.95	
		25	0	21.29	21.24	21.15	20.5±1.0
		25	13	21.32	21.24	21.12	
		25	25	21.24	21.32	21.17	
		50	0	20.9	20.83	20.81	20.0±1.0
Bandwidth	Modulation	RB size	RB offset	20000/1715	20175/1732.5	20350/1750	Tune up



LTE FDD Band 4				Conducted Power(dBm)			
Bandwidth	Modulation	RB size	RB offset	Channel/Frequency			Tune up
				20025/1717.5	20175/1732.5	20325/1747.5	
15MHz	QPSK	1	0	23.08	23.16	23.25	22.5±1.0
		1	38	23.26	23.14	23.23	
		1	74	23.15	22.91	22.93	
		36	0	22.53	22.54	22.5	22.0±1.0
		36	18	22.41	22.74	22.52	
		36	39	22.52	22.53	22.78	
		75	0	22.17	22.21	22.24	21.5±1.0
	16QAM	1	0	22	21.94	21.97	21.0±1.0
		1	38	21.72	21.94	21.98	
		1	74	21.66	21.85	21.79	
		36	0	21.39	21.14	21.12	20.5±1.0
		36	18	21.22	21.16	21.27	
		36	39	21.18	21.37	21.1	
		75	0	21	20.86	20.89	20.0±1.0
Bandwidth	Modulation	RB size	RB offset	Channel/Frequency			Tune up
				20050/1720	20175/1732.5	20300/1745	
20MHz	QPSK	1	0	22.88	23.09	23.4	22.5±1.0
		1	50	23.13	23.05	23.13	
		1	99	22.91	23.26	23.16	
		50	0	22.46	22.58	22.79	22.0±1.0
		50	25	22.67	22.62	22.76	
		50	50	22.43	22.66	22.72	
		100	0	22.27	22.2	22.13	21.5±1.0
	16QAM	1	0	21.74	21.67	21.6	21.0±1.0
		1	50	21.82	21.95	21.61	
		1	99	21.64	21.66	21.86	
		50	0	21.45	21.29	21.4	20.5±1.0
		50	25	21.34	21.34	21.47	
		50	50	21.16	21.24	21.37	
		100	0	21	20.84	21	20.0±1.0



3. LTE Band 5 Conducted Power Test Verdict:

LTE FDD Band 5				Conducted Power(dBm)			Tune up
Bandwidth	Modulation	RB size	RB offset	Channel/Frequency			
				20407/824.7	20525/836.5	20643/848.3	
1.4MHz	QPSK	1	0	24.25	24.31	24.05	23.5±1.0
		1	3	24.4	24.22	24.13	
		1	5	24.21	24.32	24.35	
		3	0	23.79	23.88	23.71	23.0±1.0
		3	2	23.68	23.9	23.57	
		3	3	23.67	23.88	23.6	
	6	0	23.32	23.32	23.3	22.5±1.0	
	16QAM	1	0	22.92	22.95	22.72	22.0±1.0
		1	3	22.87	22.83	22.69	
		1	5	22.96	22.76	22.87	
		3	0	22.25	22.25	22.28	21.5±1.0
		3	2	22.33	22.1	22.35	
		3	3	22.15	22.47	22.26	
		6	0	21.89	21.85	21.87	21.0±1.0
Bandwidth	Modulation	RB size	RB offset	Channel/Frequency			Tune up
3MHz	QPSK	1	0	24.28	24.02	24.09	23.5±1.0
		1	7	24.35	24.15	24.02	
		1	14	24.23	24.21	24.3	
		8	0	23.71	23.83	23.89	23.0±1.0
		8	4	23.72	23.73	23.71	
		8	7	23.68	23.69	23.67	
	15	0	23.32	23.26	23.37	22.5±1.0	
	16QAM	1	0	22.62	22.92	22.86	22.0±1.0
		1	7	22.77	22.75	22.94	
		1	14	22.68	22.76	22.65	
		8	0	22.37	22.1	22.42	21.5±1.0
		8	4	22.21	22.37	22.43	
		8	7	22.41	22.33	22.45	
		15	0	21.96	21.8	21.8	21.0±1.0



LTE FDD Band 5				Conducted Power(dBm)			
Bandwidth	Modulation	RB size	RB offset	Channel/Frequency			Tune up
				20425/826.5	20525/836.5	20625/846.5	
5MHz	QPSK	1	0	24.27	24.38	24.13	23.5±1.0
		1	13	24.23	24.13	24.01	
		1	24	24.2	24.22	24.38	
		12	0	23.77	23.75	23.88	23.0±1.0
		12	6	23.5	23.7	23.8	
		12	13	23.84	23.82	23.62	
	25	0	23.33	23.36	23.34	22.5±1.0	
	16QAM	1	0	22.7	22.83	22.82	22.0±1.0
		1	13	22.7	22.71	22.76	
		1	24	22.71	22.92	22.99	
		12	0	22.31	22.26	22.25	21.5±1.0
		12	6	22.21	22.3	22.2	
		12	13	22.33	22.41	22.43	
		25	0	21.87	21.81	21.8	21.0±1.0
Bandwidth	Modulation	RB size	RB offset	Channel/Frequency			Tune up
				20450/829	20525/836.5	20600/844	
10MHz	QPSK	1	0	24.3	24.23	24.42	23.5±1.0
		1	25	24.02	24.15	24.33	
		1	49	24.02	24.33	24.18	
		25	0	23.58	23.86	23.7	23.0±1.0
		25	13	23.8	23.54	23.56	
		25	25	23.65	23.84	23.83	
		50	0	23.37	23.25	23.34	22.5±1.0
	16QAM	1	0	22.71	22.71	22.63	22.0±1.0
		1	25	22.73	22.98	22.83	
		1	49	22.79	22.67	22.88	
		25	0	22.34	22.13	22.29	21.5±1.0
		25	13	22.31	22.36	22.26	
		25	25	22.24	22.23	22.4	
		50	0	21.9	22	21.94	21.0±1.0



4. LTE Band 7 Conducted Power Test Verdict:

LTE FDD Band 7				Conducted Power(dBm)			Tune up
Bandwidth	Modulation	RB size	RB offset	Channel/Frequency			
				20775/2502.5	21100/2535	21425/2567.5	
5MHz	QPSK	1	0	23.51	23.72	23.46	22.9±1.0
		1	13	23.63	23.58	23.78	
		1	24	23.41	23.53	23.56	
		12	0	23.14	23.1	22.96	22.5±1.0
		12	6	23.04	22.95	23.16	
		12	13	23.01	23.11	22.91	
		25	0	22.63	22.77	22.6	22.0±1.0
	16QAM	1	0	22.27	22.19	22.34	21.5±1.0
		1	13	22.1	22.16	22.36	
		1	24	22.4	22.5	22.29	
		12	0	21.87	21.73	21.97	21.0±1.0
		12	6	22	21.9	21.95	
		12	13	21.9	21.62	22	
		25	0	21.33	21.32	21.43	20.5±1.0
Bandwidth	Modulation	RB size	RB offset	Channel/Frequency			Tune up
10MHz	QPSK	1	0	23.68	23.47	23.71	22.9±1.0
		1	25	23.67	23.67	23.54	
		1	49	23.55	23.6	23.42	
		25	0	22.98	23.14	23.21	22.5±1.0
		25	13	23.26	23.19	23.08	
		25	25	23.12	22.96	22.93	
		50	0	22.67	22.75	22.78	22.0±1.0
	16QAM	1	0	22.44	22.4	22.17	21.5±1.0
		1	25	22.5	22.25	22.1	
		1	49	22.19	22.4	22.41	
		25	0	21.67	21.86	21.9	21.0±1.0
		25	13	21.96	21.78	21.92	
		25	25	21.72	21.74	21.82	
		50	0	21.31	21.49	21.3	20.5±1.0



LTE FDD Band 7				Conducted Power(dBm)			
Bandwidth	Modulation	RB size	RB offset	Channel/Frequency			Tune up
				20825/2507.5	21100/2535	21375/2562.5	
15MHz	QPSK	1	0	23.52	23.49	23.76	22.9±1.0
		1	38	23.68	23.71	23.76	
		1	74	23.62	23.66	23.48	
		36	0	22.9	23.02	23.14	22.5±1.0
		36	18	23	23.24	23	
		36	39	23.06	23.08	23.2	
		75	0	22.6	22.62	22.62	22.0±1.0
	16QAM	1	0	22.4	22.24	22.23	21.5±1.0
		1	38	22.35	22.42	22.15	
		1	74	22.34	22.14	22.34	
		36	0	21.88	21.6	21.63	21.0±1.0
		36	18	21.71	21.91	21.7	
		36	39	21.99	21.6	21.6	
		75	0	21.48	21.44	21.34	
Bandwidth	Modulation	RB size	RB offset	Channel/Frequency			Tune up
				20850/2510	21100/2535	21350/2560	
20MHz	QPSK	1	0	23.83	23.79	23.1	22.9±1.0
		1	50	23.53	23.58	23.52	
		1	99	23.5	23.7	23.46	
		50	0	23.07	23.28	23.04	22.5±1.0
		50	25	23.2	23.03	23.12	
		50	50	22.9	23.11	23.16	
		100	0	22.69	22.67	22.79	
	16QAM	1	0	22.36	22.44	22.12	21.5±1.0
		1	50	22.4	22.24	22.48	
		1	99	22.14	22.5	22.1	
		50	0	21.84	21.96	21.64	21.0±1.0
		50	25	21.64	21.62	21.91	
		50	50	21.9	21.75	22	
		100	0	21.3	21.49	21.46	



5. LTE Band 12 Conducted Power Test Verdict:

LTE FDD Band 12				Conducted Power(dBm)			Tune up
Bandwidth	Modulation	RB size	RB offset	Channel/Frequency			
				23017/699.7	23095/707.5	23173/715.3	
1.4MHz	QPSK	1	0	23.78	23.98	23.93	23.0±1.0
		1	3	23.93	23.79	23.75	
		1	5	23.91	23.7	23.64	
		3	0	23.18	23.15	23.3	22.5±1.0
		3	2	23.38	23.48	23.39	
		3	3	23.28	23.5	23.48	
	6	0	22.87	22.98	22.96	22.0±1.0	
	16QAM	1	0	22.42	22.65	22.7	22.0±1.0
		1	3	22.56	22.55	22.61	
		1	5	22.64	22.51	22.58	
		3	0	21.94	22.17	21.95	21.5±1.0
		3	2	21.94	22.14	21.94	
3		3	21.88	21.98	21.91		
6	0	21.53	21.68	21.65	21.0±1.0		
Bandwidth	Modulation	RB size	RB offset	Channel/Frequency			Tune up
3MHz	QPSK	1	0	23.9	23.81	23.84	23.0±1.0
		1	7	23.65	23.6	23.67	
		1	14	23.65	23.85	23.72	
		8	0	23.25	23.11	23.16	22.5±1.0
		8	4	23.35	23.23	23.37	
		8	7	23.15	23.11	23.2	
		15	0	22.88	22.95	22.99	22.0±1.0
	16QAM	1	0	22.51	22.56	22.43	22.0±1.0
		1	7	22.54	22.66	22.36	
		1	14	22.45	22.44	22.63	
		8	0	21.83	21.93	21.96	21.5±1.0
		8	4	21.89	22.13	21.93	
		8	7	21.92	22.17	22.11	
		15	0	21.61	21.55	21.51	21.0±1.0



LTE FDD Band 12				Conducted Power(dBm)			
Bandwidth	Modulation	RB size	RB offset	Channel/Frequency			Tune up
				23035/701.5	23095/707.5	23155/713.5	
5MHz	QPSK	1	0	23.98	23.65	23.68	23.0±1.0
		1	13	23.67	23.65	23.88	
		1	24	23.9	23.86	23.72	
		12	0	23.49	23.46	23.45	22.5±1.0
		12	6	23.44	23.31	23.26	
		12	13	23.45	23.16	23.5	
		25	0	22.96	22.83	22.85	22.0±1.0
	16QAM	1	0	22.55	22.58	22.36	22.0±1.0
		1	13	22.35	22.62	22.42	
		1	24	22.53	22.61	22.44	
		12	0	21.95	22.19	22.02	21.5±1.0
		12	6	21.82	21.93	21.83	
		12	13	22.06	21.95	21.95	
		25	0	21.58	21.61	21.6	21.0±1.0
Bandwidth	Modulation	RB size	RB offset	Channel/Frequency			Tune up
				23060/704	23095/707.5	23130/711	
10MHz	QPSK	1	0	24.2	23.7	23.82	23.5±1.0
		1	25	23.74	23.96	23.67	
		1	49	23.9	23.69	23.66	
		25	0	23.24	23.43	23.19	22.5±1.0
		25	13	23.16	23.36	23.27	
		25	25	23.41	23.42	23.27	
		50	0	22.98	22.95	22.87	22.0±1.0
	16QAM	1	0	22.48	22.42	22.54	22.0±1.0
		1	25	22.61	22.68	22.63	
		1	49	22.53	22.65	22.46	
		25	0	21.9	22.16	21.86	21.5±1.0
		25	13	21.86	21.82	21.82	
		25	25	21.99	22.16	22.09	
		50	0	21.53	21.65	21.54	21.0±1.0



6. LTE Band 17 Conducted Power Test Verdict:

LTE FDD Band 17				Conducted Power(dBm)			Tune up
Bandwidth	Modulation	RB size	RB offset	Channel/Frequency			
				23755/706.5	23790/710	23825/713.5	
5MHz	QPSK	1	0	23.91	23.82	24.19	23.5±1.0
		1	13	23.84	24.09	24.18	
		1	24	24.1	24.06	24.12	
		12	0	23.3	23.39	23.45	23.0±1.0
		12	6	23.31	23.55	23.51	
		12	13	23.41	23.31	23.31	
	25	0	23.03	23	23.01	22.5±1.0	
	16QAM	1	0	22.68	22.79	22.69	22.0±1.0
		1	13	22.82	22.53	22.54	
		1	24	22.59	22.54	22.75	
		12	0	22.34	22.4	22.18	21.5±1.0
		12	6	22.16	22.22	22.16	
		12	13	22.31	22.02	22.2	
		25	0	21.81	21.82	21.81	21.0±1.0
Bandwidth	Modulation	RB size	RB offset	Channel/Frequency			Tune up
10MHz	QPSK	1	0	24.1	24.09	24.24	23.5±1.0
		1	25	23.86	23.91	24.07	
		1	49	24.09	24.02	23.94	
		25	0	23.57	23.61	23.43	23.0±1.0
		25	13	23.4	23.5	23.3	
		25	25	23.42	23.38	23.3	
		50	0	23.03	23.17	23	22.5±1.0
	16QAM	1	0	22.56	22.83	22.61	22.0±1.0
		1	25	22.76	22.53	22.68	
		1	49	22.61	22.82	22.65	
		25	0	22.01	22.38	22.2	21.5±1.0
		25	13	22.31	22.07	22.16	
		25	25	22.12	22.38	22.31	
		50	0	21.79	21.77	21.87	21.0±1.0

7.4 WIFI Conducted Power

WLAN 2.4GHz Band Conducted Power

Channel/Freq.(MHz)	Maximum Conducted Out Power (dBm)		
	802.11b	802.11g	802.11n(HT20)
1(2412)	17.56	15.98	12.76
6(2437)	15.49	14.67	11.59
11(2462)	16.89	15.78	12.98

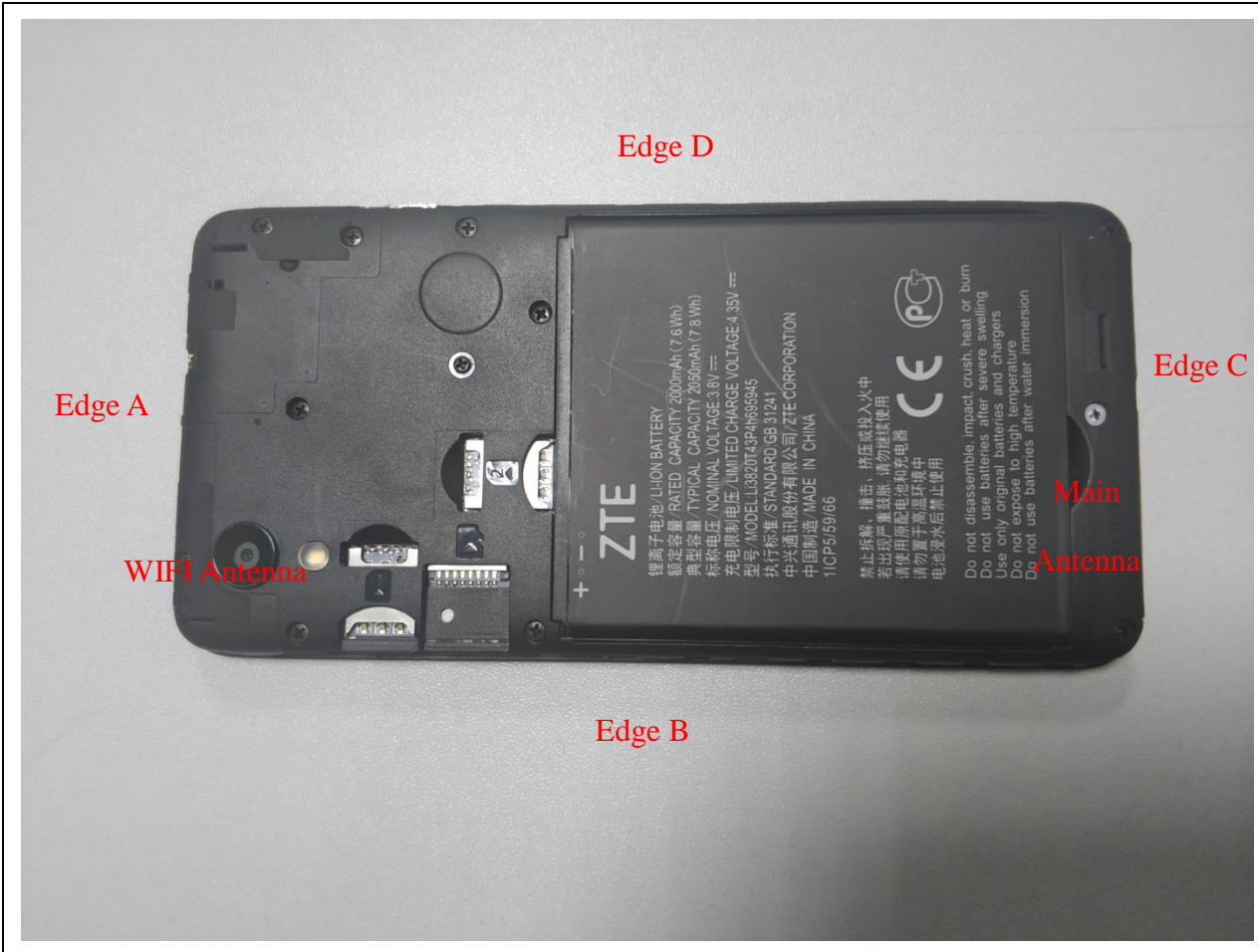
7.5 Bluetooth Output Power

Channel	Frequency (MHz)	BT3.0 Output Power(dBm)		
		GFSK	$\pi/4$ -DQPSK	8-DPSK
CH 0	2402	7.29	8.87	9.18
CH 39	2441	7.39	8.74	8.79
CH 78	2480	6.62	7.55	7.67

Channel	Frequency (MHz)	BT4.0 Output Power(dBm)
		GFSK
CH 0	2402	5.951
CH 20	2442	6.099
CH 39	2480	5.936

Note:

1. Per KDB248227 D01 v02r02, choose the highest output power channel to test SAR and determine further SAR exclusion
2. For each frequency band, testing at higher data rates and higher order modulations is not required when the maximum average output power for each of these configurations is less than 1/4dB higher than those measured at lowest data rate
3. Per KDB248227 D01 v02r02, 802.11g /11n-HT20/11n-HT40 is not required. . When the highest reported SAR for DSSS is adjusted by the ratio of OFDM to DSSS specified maximum output power and the adjusted SAR is $\leq 1.2\text{W/Kg}$. Thus the SAR can be excluded.

Antenna Location:

Antenna-to-User (Edge Side) distance (mm):

Antenna	Front	Back	Edge A	Edge B	Edge C	Edge D
WWAN Main Antenna	9	2	126	6	2	6
WIFI/BT	9	2	2	6	121	40

Note: The diagonal distance of the overall section is 15.5cm.

The Body SAR measurement positions of each band are as below:

Antenna	Front	Back	Edge A	Edge B	Edge C	Edge D
WWAN Antenna Body-worn	Yes	Yes	No	No	No	No
WWAN Antenna hotspot	Yes	Yes	No	Yes	Yes	Yes
WIFI Antenna Body-worn	Yes	Yes	No	No	No	No
WIFI 2.4G Antenna hotspot	Yes	Yes	Yes	Yes	No	No

Note: According to KDB 941225 D06 v02r01, when antenna-to-edge>2.5cm, SAR is not required.

8. Scaling Factor calculation

Operation Mode	Channel /Frequency	Output Power(dBm)	Tune up Power in tolerance (dBm)	Max. Tune up(dBm)	Scaling Factor
GSM850	128/824.2	32.03	31.5 ±1.0	32.50	1.114
	190/836.6	32.14	31.5 ±1.0	32.50	1.086
	251/848.8	32.32	31.5 ±1.0	32.50	1.042
GPRS850 (GPRS 4Tx)	128/824.2	27.23	26.5 ±1.0	27.50	1.064
	190/836.6	27.29	26.5 ±1.0	27.50	1.050
	251/848.8	27.34	26.5 ±1.0	27.50	1.038
GSM1900	512/1850.2	30.02	29.5 ±1.0	30.50	1.117
	661/1880.0	30.31	29.5 ±1.0	30.50	1.045
	810/1909.8	30.22	29.5 ±1.0	30.50	1.067
GPRS1900 (GPRS 4Tx)	512/1850.2	25.18	24.5 ±1.0	25.50	1.076
	661/1880.0	25.35	24.5 ±1.0	25.50	1.035
	810/1909.8	25.13	24.5 ±1.0	25.50	1.089
WCDMA850	4132/826.4	22.41	22.0 ±1.0	23.00	1.146
	4183/836.6	22.47	22.0 ±1.0	23.00	1.130
	4233/846.6	22.85	22.0 ±1.0	23.00	1.035
WCDMA1900	9262/1852.4	23.45	23.0 ±1.0	24.00	1.135
	9400/1880.0	23.63	23.0 ±1.0	24.00	1.089
	9538/1907.6	23.01	23.0 ±1.0	24.00	1.256
WCDMA1700	1312/1712.4	23.38	22.4 ±1.0	23.40	1.005
	1413/1732.6	22.52	22.4 ±1.0	23.40	1.225
	1513/1752.6	23.02	22.4 ±1.0	23.40	1.091
LTE B2 20MHz 1RB#0	18700/1860	23.83	23.0 ±1.0	24.00	1.040
	18900/1880	23.73	23.0 ±1.0	24.00	1.064
	19100/1900	23.62	23.0 ±1.0	24.00	1.091
LTE B2 20MHz 50RB#0	18700/1860	23.26	22.5 ±1.0	23.50	1.057
	18900/1880	23.07	22.5 ±1.0	23.50	1.104
	19100/1900	22.94	22.5 ±1.0	23.50	1.138
LTE B4 20MHz 1RB#0	20050/1720	22.88	22.5 ±1.0	23.50	1.153
	20175/1732.5	23.09	22.5 ±1.0	23.50	1.099
	20300/1745	23.40	22.5 ±1.0	23.50	1.023
LTE B4 20MHz 50RB#0	20050/1720	22.46	22.0 ±1.0	23.00	1.132
	20175/1732.5	22.58	22.0 ±1.0	23.00	1.102
	20300/1745	22.79	22.0 ±1.0	23.00	1.050
LTE B5 10MHz 1RB#0	20450/829	24.30	23.5 ±1.0	24.50	1.047
	20525/836.5	24.23	23.5 ±1.0	24.50	1.064
	20600/844	24.42	23.5 ±1.0	24.50	1.019



LTE B5 10MHz 25RB#0	20450/829	23.58	23.0 ±1.0	24.00	1.102
	20525/836.5	23.86	23.0 ±1.0	24.00	1.033
	20600/844	23.70	23.0 ±1.0	24.00	1.072
LTE B7 20MHz 1RB#0	20850/2510	23.83	22.9 ±1.0	23.90	1.016
	21100/2535	23.79	22.9 ±1.0	23.90	1.026
	21350/2560	23.10	22.9 ±1.0	23.90	1.202
LTE B7 20MHz 50RB#0	20850/2510	23.07	22.5 ±1.0	23.50	1.104
	21100/2535	23.28	22.5 ±1.0	23.50	1.052
	21350/2560	23.04	22.5 ±1.0	23.50	1.112
LTE B12 10MHz 1RB#0	23060/704	24.20	23.5 ±1.0	24.50	1.072
	23095/707.5	23.70	23.5 ±1.0	24.50	1.202
	23130/711	23.82	23.5 ±1.0	24.50	1.169
LTE B12 10MHz 25RB#0	23060/704	23.24	22.5 ±1.0	23.50	1.062
	23095/707.5	23.43	22.5 ±1.0	23.50	1.016
	23130/711	23.19	22.5 ±1.0	23.50	1.074
LTE B17 10MHz 1RB#0	23780/709	24.10	23.5 ±1.0	24.50	1.096
	23790/710	24.09	23.5 ±1.0	24.50	1.099
	23800/711	24.24	23.5 ±1.0	24.50	1.062
LTE B17 10MHz 25RB#0	23780/709	23.57	23.0 ±1.0	24.00	1.104
	23790/710	23.61	23.0 ±1.0	24.00	1.094
	23800/711	23.43	23.0 ±1.0	24.00	1.140
WIFI 2.4G 802.11b	1/2412	17.56	16.6 ±1.0	17.60	1.009
	6/2437	15.69	16.6 ±1.0	17.60	1.552
	11/2462	16.89	16.6 ±1.0	17.60	1.178
BT	0/2402	9.18	8.2 ±1.0	9.20	1.005
	39/2441	8.79	8.2 ±1.0	9.20	1.099
	78/2480	7.67	8.2 ±1.0	9.20	1.422

Note: for LTE power tolerance, only QPSK modulation mode was provide here.

9. Test Results

Results overview of GSM850

Test Position of Head	Channel /Frequency	Mode	SAR Value (W/kg)1-g	Power drift(%)	Scaled Factor	Scaled SAR (W/Kg)1-g	SAR Plot.
Left Cheek	190/836.6	Voice	0.438	-3.48	1.086	0.476	/
Left Tilt 15 °	190/836.6	Voice	0.324	-3.23	1.086	0.352	/
Right Cheek	190/836.6	Voice	0.451	-4.49	1.086	0.490	Yes
Right Tilt 15 °	190/836.6	Voice	0.349	-4.21	1.086	0.379	/
Body-worn(10mm)	Channel /Frequency	Mode	SAR Value (W/kg)1-g	Power drift(%)	Scaled Factor	Scaled SAR (W/Kg)1-g	SAR Plot.
Back Upward	190/836.6	GPRS 4Tx	0.616	-2.00	1.050	0.647	Yes
Face Upward	190/836.6	GPRS 4Tx	0.512	-1.67	1.050	0.537	/
Hotspot(10mm)	Channel /Frequency	Mode	SAR Value (W/kg)1-g	Power drift(%)	Scaled Factor	Scaled SAR (W/Kg)1-g	SAR Plot.
Back Upward	190/836.6	GPRS 4Tx	0.616	-2.00	1.050	0.647	Yes
Face Upward	190/836.6	GPRS 4Tx	0.512	-1.67	1.050	0.537	/
Edge B	190/836.6	GPRS 4Tx	0.467	-1.80	1.050	0.490	/
Edge C	190/836.6	GPRS 4Tx	0.127	4.15	1.050	0.133	/
Edge D	190/836.6	GPRS 4Tx	0.356	-3.04	1.050	0.374	/

Results overview of GSM1900

Test Position of Head	Channel /Frequency	Mode	SAR Value (W/kg)1-g	Power drift(%)	Scaled Factor	Scaled SAR (W/Kg)1-g	SAR Plot.
Left Cheek	661/1880.0	Voice	0.115	-2.43	1.045	0.120	/
Left Tilt 15 °	661/1880.0	Voice	0.076	-1.27	1.045	0.079	/
Right Cheek	661/1880.0	Voice	0.134	-1.45	1.045	0.140	Yes
Right Tilt 15 °	661/1880.0	Voice	0.089	-2.66	1.045	0.093	/
Body-worn(10mm)	Channel /Frequency	Mode	SAR Value (W/kg)1-g	Power drift(%)	Scaled Factor	Scaled SAR (W/Kg)1-g	SAR Plot.
Back Upward	661/1880.0	GPRS 4Tx	0.190	0.35	1.035	0.197	Yes
Face Upward	661/1880.0	GPRS 4Tx	0.155	-2.51	1.035	0.160	/
Hotspot(10mm)	Channel /Frequency	Mode	SAR Value (W/kg)1-g	Power drift(%)	Scaled Factor	Scaled SAR (W/Kg)1-g	SAR Plot.
Back Upward	661/1880.0	GPRS 4Tx	0.190	0.35	1.035	0.197	/
Face Upward	661/1880.0	GPRS 4Tx	0.155	-2.51	1.035	0.160	/
Edge B	661/1880.0	GPRS 4Tx	0.058	-3.62	1.035	0.060	/
Edge C	661/1880.0	GPRS 4Tx	0.286	-2.84	1.035	0.296	Yes
Edge D	661/1880.0	GPRS 4Tx	0.102	-1.87	1.035	0.106	/

Results overview of WCDMA850

Test Position of Head	Channel /Frequency	Mode	SAR Value (W/kg)1-g	Power drift(%)	Scaled Factor	Scaled SAR (W/Kg)1-g	SAR Plot.
Left Cheek	4183/836.6	RMC	0.361	-1.23	1.130	0.408	/
Left Tilt 15 °	4183/836.6	RMC	0.318	-2.13	1.130	0.359	/
Right Cheek	4183/836.6	RMC	0.364	-4.39	1.130	0.411	Yes
Right Tilt 15 °	4183/836.6	RMC	0.287	-1.18	1.130	0.324	/
Body-worn(10mm)	Channel /Frequency	Mode	SAR Value (W/kg)1-g	Power drift(%)	Scaled Factor	Scaled SAR (W/Kg)1-g	SAR Plot.
Back Upward	4183/836.6	RMC	0.429	-1.48	1.130	0.485	Yes
Face Upward	4183/836.6	RMC	0.348	-1.75	1.130	0.393	/
Hotspot(10mm)	Channel /Frequency	Mode	SAR Value (W/kg)1-g	Power drift(%)	Scaled Factor	Scaled SAR (W/Kg)1-g	SAR Plot.
Back Upward	4183/836.6	RMC	0.429	-1.48	1.130	0.485	Yes
Face Upward	4183/836.6	RMC	0.348	-1.75	1.130	0.393	/
Edge B	4183/836.6	RMC	0.327	-1.38	1.130	0.369	/
Edge C	4183/836.6	RMC	0.105	-1.80	1.130	0.119	/
Edge D	4183/836.6	RMC	0.272	-3.35	1.130	0.307	/

Results overview of WCDMA1900

Test Position of Head	Channel /Frequency	Mode	SAR Value (W/kg)1-g	Power drift(%)	Scaled Factor	Scaled SAR (W/Kg)1-g	SAR Plot.
Left Cheek	9400/1880.0	RMC	0.206	-2.90	1.089	0.224	/
Left Tilt 15 °	9400/1880.0	RMC	0.134	-3.15	1.089	0.146	/
Right Cheek	9400/1880.0	RMC	0.240	4.21	1.089	0.261	Yes
Right Tilt 15 °	9400/1880.0	RMC	0.149	1.26	1.089	0.162	/
Body-worn(10mm)	Channel /Frequency	Mode	SAR Value (W/kg)1-g	Power drift(%)	Scaled Factor	Scaled SAR (W/Kg)1-g	SAR Plot.
Back Upward	9400/1880.0	RMC	0.482	-2.10	1.089	0.525	Yes
Face Upward	9400/1880.0	RMC	0.422	-2.97	1.089	0.460	/
Hotspot(10mm)	Channel /Frequency	Mode	SAR Value (W/kg)1-g	Power drift(%)	Scaled Factor	Scaled SAR (W/Kg)1-g	SAR Plot.
Back Upward	9400/1880.0	RMC	0.482	-2.10	1.089	0.525	/
Face Upward	9400/1880.0	RMC	0.422	-2.97	1.089	0.460	/
Edge B	9400/1880.0	RMC	0.046	-4.17	1.089	0.050	/
Edge C	9400/1880.0	RMC	0.670	-0.77	1.089	0.730	Yes
Edge D	9400/1880.0	RMC	0.073	2.06	1.089	0.079	/

Results overview of WCDMA1700

Test Position of Head	Channel /Frequency	Mode	SAR Value (W/kg)1-g	Power drift(%)	Scaled Factor	Scaled SAR (W/Kg)1-g	SAR Plot.
Left Cheek	1413/1732.6	RMC	0.471	-2.70	1.225	0.577	/
Left Tilt 15 °	1413/1732.6	RMC	0.388	-1.56	1.225	0.475	/
Right Cheek	1413/1732.6	RMC	0.636	-4.99	1.225	0.779	Yes
Right Tilt 15 °	1413/1732.6	RMC	0.521	-3.87	1.225	0.638	/
Body-worn(10mm)	Channel /Frequency	Mode	SAR Value (W/kg)1-g	Power drift(%)	Scaled Factor	Scaled SAR (W/Kg)1-g	SAR Plot.
Face Upward	1413/1732.6	RMC	0.612	-4.54	1.225	0.749	/
Back Upward	1413/1732.6	RMC	0.629	-1.93	1.225	0.770	Yes
Hotspot(10mm)	Channel /Frequency	Mode	SAR Value (W/kg)1-g	Power drift(%)	Scaled Factor	Scaled SAR (W/Kg)1-g	SAR Plot.
Edge C	1312/1712.4	RMC	0.730	-4.65	1.005	0.733	/
Edge C	1413/1732.6	RMC	0.734	-1.97	1.225	0.899	Yes
Edge C	1513/1752.6	RMC	0.713	0.26	1.091	0.778	/
Face Upward	1413/1732.6	RMC	0.612	-4.54	1.225	0.749	/
Back Upward	1413/1732.6	RMC	0.629	-1.93	1.225	0.770	/
Edge B	1413/1732.6	RMC	0.135	-2.11	1.225	0.165	/
Edge D	1413/1732.6	RMC	0.284	-3.01	1.225	0.348	/



Results overview of FDD LTE Band 2, QPSK, 20MHz Bandwidth

Test Position of Head	Channel /Frequency	Mode	SAR Value (W/kg)1-g	Power drift(%)	Scaled Factor	Scaled SAR (W/Kg)1-g	SAR Plot.
1RB#0							
Left Cheek	18900/1880	Data	0.186	-3.880	1.064	0.198	/
Left Tilt 15 °	18900/1880	Data	0.157	-2.450	1.064	0.167	/
Right Cheek	18900/1880	Data	0.202	-2.590	1.064	0.215	Yes
Right Tilt 15 °	18900/1880	Data	0.100	-1.380	1.064	0.106	/
50%RB#0							
Left Cheek	18900/1880	Data	0.134	-2.150	1.104	0.148	/
Left Tilt 15 °	18900/1880	Data	0.102	-4.880	1.104	0.113	/
Right Cheek	18900/1880	Data	0.178	-2.030	1.104	0.197	/
Right Tilt 15 °	18900/1880	Data	0.075	0.390	1.104	0.083	/
Body-worn(10mm)	Channel /Frequency	Mode	SAR Value (W/kg)1-g	Power drift(%)	Scaled Factor	Scaled SAR (W/Kg)1-g	SAR Plot.
1RB#0							
Back Upward	18900/1880	Data	0.465	-1.040	1.064	0.495	Yes
Face Upward	18900/1880	Data	0.439	-1.000	1.064	0.467	/
50%RB#0							
Back Upward	18900/1880	Data	0.376	1.570	1.104	0.415	/
Face Upward	18900/1880	Data	0.310	-1.980	1.104	0.342	/
Hotspot(10mm)	Channel /Frequency	Mode	SAR Value (W/kg)1-g	Power drift(%)	Scaled Factor	Scaled SAR (W/Kg)1-g	SAR Plot.
1RB#0							
Back Upward	18900/1880	Data	0.465	-1.040	1.064	0.495	/
Face Upward	18900/1880	Data	0.439	-1.000	1.064	0.467	/
Edge B	18900/1880	Data	0.052	2.170	1.064	0.055	/
Edge C	18900/1880	Data	0.730	-0.340	1.064	0.777	Yes
Edge D	18900/1880	Data	0.074	-1.430	1.064	0.079	/
50%RB#0							
Back Upward	18900/1880	Data	0.376	-4.510	1.104	0.415	/
Face Upward	18900/1880	Data	0.310	-3.370	1.104	0.342	/
Edge B	18900/1880	Data	0.030	-2.600	1.104	0.033	/
Edge C	18900/1880	Data	0.654	-3.590	1.104	0.722	/
Edge D	18900/1880	Data	0.051	1.120	1.104	0.056	/



Results overview of FDD LTE Band 4, QPSK, 20MHz Bandwidth

Test Position of Head	Channel /Frequency	Mode	SAR Value (W/kg)1-g	Power drift(%)	Scaled Factor	Scaled SAR (W/Kg)1-g	SAR Plot.
1RB#0							
Left Cheek	20175/1732.5	Data	0.373	0.030	1.099	0.410	/
Left Tilt 15 °	20175/1732.5	Data	0.209	-3.360	1.099	0.230	/
Right Cheek	20175/1732.5	Data	0.531	-3.420	1.099	0.584	Yes
Right Tilt 15 °	20175/1732.5	Data	0.205	-3.920	1.099	0.225	/
50%RB#0							
Left Cheek	20175/1732.5	Data	0.312	-2.940	1.102	0.344	/
Left Tilt 15 °	20175/1732.5	Data	0.158	-3.480	1.102	0.174	/
Right Cheek	20175/1732.5	Data	0.493	-4.110	1.102	0.543	/
Right Tilt 15 °	20175/1732.5	Data	0.150	-0.290	1.102	0.165	/
Body-worn(10mm)	Channel /Frequency	Mode	SAR Value (W/kg)1-g	Power drift(%)	Scaled Factor	Scaled SAR (W/Kg)1-g	SAR Plot.
1RB#0							
Back Upward	20175/1732.5	Data	0.596	1.600	1.099	0.655	/
Face Upward	20175/1732.5	Data	0.654	-0.090	1.099	0.719	Yes
50%RB#0							
Back Upward	20175/1732.5	Data	0.518	-2.440	1.102	0.571	/
Face Upward	20175/1732.5	Data	0.597	-1.790	1.102	0.658	/
Hotspot(10mm)	Channel /Frequency	Mode	SAR Value (W/kg)1-g	Power drift(%)	Scaled Factor	Scaled SAR (W/Kg)1-g	SAR Plot.
1RB#0							
Edge C	20050/1720	Data	0.678	-2.450	1.153	0.782	/
Edge C	20175/1732.5	Data	0.759	-0.600	1.099	0.834	Yes
Edge C	20300/1745	Data	0.740	0.550	1.023	0.757	/
Face Upward	20175/1732.5	Data	0.654	-0.090	1.099	0.719	/
Back Upward	20175/1732.5	Data	0.596	1.600	1.099	0.655	/
Edge B	20175/1732.5	Data	0.201	-1.220	1.099	0.221	/
Edge D	20175/1732.5	Data	0.302	0.070	1.099	0.332	/
50%RB#0							
Back Upward	20175/1732.5	Data	0.518	-1.480	1.102	0.571	/
Face Upward	20175/1732.5	Data	0.597	-2.790	1.102	0.658	/
Edge B	20175/1732.5	Data	0.142	1.330	1.102	0.156	/
Edge C	20175/1732.5	Data	0.677	-3.550	1.102	0.746	/
Edge D	20175/1732.5	Data	0.265	-1.970	1.102	0.292	/



Results overview of FDD LTE Band 5, QPSK, 10MHz Bandwidth

Test Position of Head	Channel /Frequency	Mode	SAR Value (W/kg)1-g	Power drift(%)	Scaled Factor	Scaled SAR (W/Kg)1-g	SAR Plot.
1RB#0							
Left Cheek	20525/836.5	Data	0.363	-3.640	1.064	0.386	/
Left Tilt 15 °	20525/836.5	Data	0.278	4.020	1.064	0.296	/
Right Cheek	20525/836.5	Data	0.413	-1.760	1.064	0.439	Yes
Right Tilt 15 °	20525/836.5	Data	0.334	-4.740	1.064	0.355	/
50%RB#0							
Left Cheek	20525/836.5	Data	0.314	-4.210	1.033	0.324	/
Left Tilt 15 °	20525/836.5	Data	0.223	3.260	1.033	0.230	/
Right Cheek	20525/836.5	Data	0.358	-1.520	1.033	0.370	/
Right Tilt 15 °	20525/836.5	Data	0.289	-2.170	1.033	0.298	/
Body-worn(10mm)	Channel /Frequency	Mode	SAR Value (W/kg)1-g	Power drift(%)	Scaled Factor	Scaled SAR (W/Kg)1-g	SAR Plot.
1RB#0							
Back Upward	20525/836.5	Data	0.463	-0.740	1.064	0.493	Yes
Face Upward	20525/836.5	Data	0.381	-3.560	1.064	0.405	/
50%RB#0							
Back Upward	20525/836.5	Data	0.422	-2.520	1.033	0.436	/
Face Upward	20525/836.5	Data	0.335	-2.600	1.033	0.346	/
Hotspot(10mm)	Channel /Frequency	Mode	SAR Value (W/kg)1-g	Power drift(%)	Scaled Factor	Scaled SAR (W/Kg)1-g	SAR Plot.
1RB#0							
Back Upward	20525/836.5	Data	0.463	-0.740	1.064	0.493	Yes
Face Upward	20525/836.5	Data	0.381	-3.560	1.064	0.405	/
Edge B	20525/836.5	Data	0.359	-0.710	1.064	0.382	/
Edge C	20525/836.5	Data	0.116	-1.170	1.064	0.123	/
Edge D	20525/836.5	Data	0.271	-3.360	1.064	0.288	/
50%RB#0							
Back Upward	20525/836.5	Data	0.422	-2.520	1.033	0.436	/
Face Upward	20525/836.5	Data	0.335	-2.600	1.033	0.346	/
Edge B	20525/836.5	Data	0.301	1.490	1.033	0.311	/
Edge C	20525/836.5	Data	0.094	-2.330	1.033	0.097	/
Edge D	20525/836.5	Data	0.209	-3.470	1.033	0.216	/



Results overview of FDD LTE Band 7, QPSK, 20MHz Bandwidth

Test Position of Head	Channel /Frequency	Mode	SAR Value (W/kg)1-g	Power drift(%)	Scaled Factor	Scaled SAR (W/Kg)1-g	SAR Plot.
1RB#0							
Left Cheek	21100/2535	Data	0.427	-1.720	1.026	0.438	Yes
Left Tilt 15 °	21100/2535	Data	0.183	-4.610	1.026	0.188	/
Right Cheek	21100/2535	Data	0.305	-2.100	1.026	0.313	/
Right Tilt 15 °	21100/2535	Data	0.154	-1.480	1.026	0.158	/
50%RB#0							
Left Cheek	21100/2535	Data	0.356	-2.150	1.052	0.374	/
Left Tilt 15 °	21100/2535	Data	0.130	-1.440	1.052	0.137	/
Right Cheek	21100/2535	Data	0.247	-2.030	1.052	0.260	/
Right Tilt 15 °	21100/2535	Data	0.104	1.750	1.052	0.109	/
Body-worn(10mm)	Channel /Frequency	Mode	SAR Value (W/kg)1-g	Power drift(%)	Scaled Factor	Scaled SAR (W/Kg)1-g	SAR Plot.
1RB#0							
Back Upward	20850/2510	Data	0.951	-1.550	1.016	0.966	/
Back Upward	21100/2535	Data	0.985	-0.620	1.026	1.010	Yes
Back Upward	21350/2560	Data	0.823	-2.780	1.202	0.989	/
Back Upward (Repeated)	20850/2510	Data	0.901	-1.540	1.016	0.916	/
	21100/2535	Data	0.926	-2.890	1.026	0.950	/
	21350/2560	Data	0.767	-3.410	1.202	0.922	/
Face Upward	21100/2535	Data	0.407	-3.340	1.026	0.417	/
50%RB#0							
Back Upward	21100/2535	Data	0.759	-4.880	1.052	0.798	/
Face Upward	21100/2535	Data	0.302	-1.320	1.052	0.318	/



Results overview of FDD LTE Band 7, QPSK, 20MHz Bandwidth

Hotspot(10mm)	Channel /Frequency	Mode	SAR Value (W/kg)1-g	Power drift(%)	Scaled Factor	Scaled SAR (W/Kg)1-g	SAR Plot.
1RB#0							
Back Upward	20850/2510	Data	0.951	-1.550	1.016	0.966	/
Back Upward	21100/2535	Data	0.985	-0.620	1.026	1.010	/
Back Upward	21350/2560	Data	0.823	-2.780	1.202	0.989	/
Back Upward (Repeated)	20850/2510	Data	0.901	-1.540	1.016	0.916	/
	21100/2535	Data	0.926	-2.890	1.026	0.950	/
	21350/2560	Data	0.767	-3.410	1.202	0.922	/
Face Upward	21100/2535	Data	0.407	-3.340	1.026	0.417	/
Edge B	21100/2535	Data	0.101	1.470	1.026	0.104	/
Edge C	20850/2510	Data	1.351	-4.840	1.016	1.373	/
Edge C	21100/2535	Data	1.376	0.900	1.026	1.411	Yes
Edge C	21350/2560	Data	1.168	1.530	1.202	1.404	/
Edge C (Repeated)	20850/2510	Data	1.284	-3.260	1.016	1.305	/
	21100/2535	Data	1.297	-1.890	1.026	1.330	/
	21350/2560	Data	1.102	-2.770	1.202	1.325	/
Edge C (Repeated)	20850/2510	Data	1.252	-4.260	1.016	1.272	/
	21100/2535	Data	1.264	3.290	1.026	1.296	/
	21350/2560	Data	1.075	-1.520	1.202	1.292	/
Edge D	21100/2535	Data	0.218	-3.780	1.026	0.224	/
50%RB#0							
Back Upward	21100/2535	Data	0.759	-4.880	1.052	0.798	/
Face Upward	21100/2535	Data	0.302	-1.320	1.052	0.318	/
Edge B	21100/2535	Data	0.067	-2.540	1.052	0.070	/
Edge C	20850/2510	Data	1.005	0.610	1.104	1.110	/
Edge C	21100/2535	Data	1.059	1.760	1.052	1.114	/
Edge C	21350/2560	Data	0.987	-0.590	1.112	1.098	/
Edge C (Repeated)	20850/2510	Data	0.923	-1.770	1.104	1.019	/
	21100/2535	Data	0.985	-2.450	1.052	1.036	/
	21350/2560	Data	0.910	-0.780	1.112	1.012	/
Edge D	21100/2535	Data	0.157	-3.390	1.052	0.165	/



Results overview of FDD LTE Band 12, QPSK, 10MHz Bandwidth

Test Position of Head	Channel /Frequency	Mode	SAR Value (W/kg)1-g	Power drift(%)	Scaled Factor	Scaled SAR (W/Kg)1-g	SAR Plot.
1RB#0							
Left Cheek	23095/707.5	Data	0.355	3.830	1.202	0.427	/
Left Tilt 15 °	23095/707.5	Data	0.276	-1.690	1.202	0.332	/
Right Cheek	23095/707.5	Data	0.378	-2.600	1.202	0.454	Yes
Right Tilt 15 °	23095/707.5	Data	0.312	-3.460	1.202	0.375	/
50%RB#0							
Left Cheek	23095/707.5	Data	0.310	-1.550	1.016	0.315	/
Left Tilt 15 °	23095/707.5	Data	0.223	-4.590	1.016	0.227	/
Right Cheek	23095/707.5	Data	0.325	-3.260	1.016	0.330	/
Right Tilt 15 °	23095/707.5	Data	0.247	-1.020	1.016	0.251	/
Body-worn(10mm)	Channel /Frequency	Mode	SAR Value (W/kg)1-g	Power drift(%)	Scaled Factor	Scaled SAR (W/Kg)1-g	SAR Plot.
1RB#0							
Back Upward	23095/707.5	Data	0.595	2.580	1.202	0.715	Yes
Face Upward	23095/707.5	Data	0.420	2.170	1.202	0.505	/
50%RB#0							
Back Upward	23095/707.5	Data	0.532	-1.610	1.016	0.541	/
Face Upward	23095/707.5	Data	0.380	1.320	1.016	0.386	/
Hotspot(10mm)	Channel /Frequency	Mode	SAR Value (W/kg)1-g	Power drift(%)	Scaled Factor	Scaled SAR (W/Kg)1-g	SAR Plot.
1RB#0							
Back Upward	23095/707.5	Data	0.595	2.580	1.202	0.715	Yes
Face Upward	23095/707.5	Data	0.420	2.170	1.202	0.505	/
Edge B	23095/707.5	Data	0.383	-1.950	1.202	0.460	/
Edge C	23095/707.5	Data	0.096	-3.290	1.202	0.115	/
Edge D	23095/707.5	Data	0.256	-3.380	1.202	0.308	/
50%RB#0							
Back Upward	23095/707.5	Data	0.532	-1.610	1.016	0.541	/
Face Upward	23095/707.5	Data	0.380	1.320	1.016	0.386	/
Edge B	23095/707.5	Data	0.315	-4.480	1.016	0.320	/
Edge C	23095/707.5	Data	0.053	-1.260	1.016	0.054	/
Edge D	23095/707.5	Data	0.204	-2.970	1.016	0.207	/



Results overview of FDD LTE Band 17, QPSK, 10MHz Bandwidth

Test Position of Head	Channel /Frequency	Mode	SAR Value (W/kg)1-g	Power drift(%)	Scaled Factor	Scaled SAR (W/Kg)1-g	SAR Plot.
1RB#0							
Left Cheek	23790/710	Data	0.289	-2.830	1.099	0.318	/
Left Tilt 15 °	23790/710	Data	0.230	-2.380	1.099	0.253	/
Right Cheek	23790/710	Data	0.307	-3.690	1.099	0.337	Yes
Right Tilt 15 °	23790/710	Data	0.259	-2.580	1.099	0.285	/
50%RB#0							
Left Cheek	23790/710	Data	0.234	1.470	1.094	0.256	/
Left Tilt 15 °	23790/710	Data	0.191	-2.590	1.094	0.209	/
Right Cheek	23790/710	Data	0.243	-3.810	1.094	0.266	/
Right Tilt 15 °	23790/710	Data	0.202	-4.600	1.094	0.221	/
Body-worn(10mm)	Channel /Frequency	Mode	SAR Value (W/kg)1-g	Power drift(%)	Scaled Factor	Scaled SAR (W/Kg)1-g	SAR Plot.
1RB#0							
Back Upward	23790/710	Data	0.476	-1.550	1.099	0.523	Yes
Face Upward	23790/710	Data	0.335	-1.490	1.099	0.368	/
50%RB#0							
Back Upward	23790/710	Data	0.410	-1.420	1.094	0.449	/
Face Upward	23790/710	Data	0.299	-2.810	1.094	0.327	/
Hotspot(10mm)	Channel /Frequency	Mode	SAR Value (W/kg)1-g	Power drift(%)	Scaled Factor	Scaled SAR (W/Kg)1-g	SAR Plot.
1RB#0							
Back Upward	23790/710	Data	0.476	-1.550	1.099	0.523	Yes
Face Upward	23790/710	Data	0.335	-1.490	1.099	0.368	/
Edge B	23790/710	Data	0.300	-0.260	1.099	0.330	/
Edge C	23790/710	Data	0.080	-3.720	1.099	0.088	/
Edge D	23790/710	Data	0.208	-0.670	1.099	0.229	/
50%RB#0							
Back Upward	23790/710	Data	0.410	-1.420	1.094	0.449	/
Face Upward	23790/710	Data	0.299	-2.810	1.094	0.327	/
Edge B	23790/710	Data	0.228	-1.200	1.094	0.249	/
Edge C	23790/710	Data	0.049	0.770	1.094	0.054	/
Edge D	23790/710	Data	0.166	-1.020	1.094	0.182	/

Results overview of WIFI2.4G 802.11b

Test Position of Head	Channel /Frequency	Mode	SAR Value (W/kg)1-g	Power drift(%)	Scaled Factor	Scaled SAR (W/Kg)1-g	SAR Plot.
Left Cheek	1/2412	DSSS	0.620	-2.94	1.009	0.626	Yes
Left Tilt 15 °	1/2412	DSSS	0.612	-1.66	1.009	0.618	/
Right Cheek	1/2412	DSSS	0.467	0.43	1.009	0.471	/
Right Tilt 15 °	1/2412	DSSS	0.384	-1.62	1.009	0.388	/
Body-worn(10mm)	Channel /Frequency	Mode	SAR Value (W/kg)1-g	Power drift(%)	Scaled Factor	Scaled SAR (W/Kg)1-g	SAR Plot.
Back Upward	1/2412	DSSS	0.133	-2.45	1.009	0.134	/
Face Upward	1/2412	DSSS	0.316	2.84	1.009	0.319	Yes
Hotspot(10mm)	Channel /Frequency	Mode	SAR Value (W/kg)1-g	Power drift(%)	Scaled Factor	Scaled SAR (W/Kg)1-g	SAR Plot.
Back Upward	1/2412	DSSS	0.133	-2.45	1.009	0.134	/
Face Upward	6/2437	DSSS	0.316	2.84	1.009	0.319	Yes
Edge A	6/2437	DSSS	0.245	-1.85	1.009	0.247	/
Edge B	6/2437	DSSS	0.128	-0.44	1.009	0.129	/

Results overview of BT

Test Position of Head	Channel /Frequency	Mode	SAR Value (W/kg)1-g	Power drift(%)	Scaled Factor	Scaled SAR (W/Kg)1-g	SAR Plot.
Left Cheek	39/2441	DH5	0.189	-4.25	1.099	0.208	Yes
Left Tilt 15 °	39/2441	DH5	0.164	-3.22	1.099	0.180	/
Right Cheek	39/2441	DH5	0.089	-4.13	1.099	0.098	/
Right Tilt 15 °	39/2441	DH5	0.085	-4.58	1.099	0.093	/
Body-worn(10mm)	Channel /Frequency	Mode	SAR Value (W/kg)1-g	Power drift(%)	Scaled Factor	Scaled SAR (W/Kg)1-g	SAR Plot.
Back Upward	39/2441	DH5	0.036	3.83	1.099	0.040	/
Face Upward	39/2441	DH5	0.051	2.73	1.099	0.056	Yes

Note:

Per KDB941225 D06 v02r01, When the antenna-to-edge distance is greater than 2.5cm, such position does not need to be tested. As the manufacture requirement the separation distance use 5mm for Hotspot mode.

Per KDB Publication 941225 D01v03r01. RMC 12.2kbps was as primary mode SAR, when the primary mode SAR less than 1.2W/kg, secondary SAR (HSPA) was not requires.

When the 1-g SAR for the mid-band channel or the channel with the highest output power satisfy the following conditions, testing of the other channels in the band is not required. (Per KDB 447498 D01 General RF Exposure Guidance v06)

- ≤ 0.8 W/kg, when the transmission band is ≤ 100 MHz
- ≤ 0.6 W/kg, when the transmission band is between 100 MHz and 200 MHz
- ≤ 0.4 W/kg, when the transmission band is ≥ 200 MHz



10. Simultaneous Transmissions Analysis

Localized Specific Absorption Rate (SAR) of this portable wireless device has been measured in all cases requested by the relevant standards cited in Clause 6 of this report. Maximum localized SAR is **below** exposure limits specified in the relevant standards.

Simultaneous SAR

No.	Transmitter Combinations	Scenario Supported or not	Supported for Mobile Hotspot or not
1	GSM + BT	Yes	No
2	GSM + WIFI 2.4G	Yes	Yes
3	WCDMA +BT	Yes	No
4	WCDMA +WIFI 2.4G	Yes	Yes
5	LTE+BT	Yes	No
6	LTE+WIFI 2.4G	Yes	Yes
7	WIFI+BT	No	No

Simultaneous Tx Combination of GSM/WCDMA/LTE and BT/WIFI (Head)

Test Position/Freq.		Left Cheek	Left Tilt 15 °	Right Cheek	Right Tilt 15 °
Head MAX 1-g SAR(W/Kg)	GSM850	0.476	0.352	0.490	0.379
	GSM1900	0.120	0.079	0.140	0.093
	WCDMA 850	0.408	0.359	0.411	0.324
	WCDMA 1900	0.224	0.145	0.261	0.162
	WCDMA 1700	0.577	0.475	0.779	0.638
	LTE Band2	0.198	0.167	0.215	0.106
	LTE Band4	0.410	0.230	0.584	0.225
	LTE Band5	0.386	0.296	0.439	0.355
	LTE Band7	0.438	0.188	0.313	0.158
	LTE Band12	0.427	0.332	0.454	0.375
	LTE Band17	0.318	0.253	0.337	0.285
	WIFI 2.4G	0.626	0.618	0.471	0.388
	BT	0.208	0.180	0.098	0.093
WIFI Simultaneous \sum 1-g SAR(W/Kg)		1.203	1.093	1.250	1.026
BT Simultaneous \sum 1-g SAR(W/Kg)		0.785	0.655	0.877	0.731



Simultaneous Tx Combination of GSM/WCDMA/LTE and BT/WIFI (Body).

Test Position/Freq.		BACK	FACE	Edge A	Edge B	Edge C	Edge D
Body MAX 1-g SAR(W/Kg) 10mm distance	GSM850	0.647	0.537	/	/	/	/
	GSM1900	0.197	0.160	/	/	/	/
	WCDMA 850	0.485	0.393	/	/	/	/
	WCDMA 1900	0.525	0.460	/	/	/	/
	WCDMA 1700	0.770	0.749	/	/	/	/
	LTE Band2	0.495	0.467	/	/	/	/
	LTE Band4	0.655	0.719	/	/	/	/
	LTE Band5	0.493	0.405	/	/	/	/
	LTE Band7	1.010	0.417	/	/	/	/
	LTE Band12	0.715	0.505	/	/	/	/
	LTE Band17	0.523	0.368	/	/	/	/
	WIFI 2.4G	0.134	0.319	/	/	/	/
	BT	0.040	0.056	/	/	/	/
WIFI Simultaneous \sum 1-g SAR(W/Kg)		1.144	1.068	/	/	/	/
BT Simultaneous \sum 1-g SAR(W/Kg)		1.050	0.805	/	/	/	/

Simultaneous Tx Combination of GSM/WCDMA/LTE and WIFI (Body).

Test Position/Freq.		BACK	FACE	Edge A	Edge B	Edge C	Edge D
Hotspot MAX 1-g SAR(W/Kg) 10mm distance	GSM850	0.647	0.537	/	0.490	0.133	0.374
	GSM1900	0.197	0.160	/	0.060	0.296	0.106
	WCDMA 850	0.485	0.393	/	0.369	0.119	0.307
	WCDMA 1900	0.525	0.460	/	0.050	0.730	0.079
	WCDMA 1700	0.770	0.749	/	0.165	0.899	0.348
	LTE Band2	0.495	0.467	/	0.055	0.777	0.079
	LTE Band4	0.655	0.719	/	0.221	0.834	0.332
	LTE Band5	0.493	0.405	/	0.382	0.123	0.288
	LTE Band7	1.010	0.417	/	0.104	1.411	0.224
	LTE Band12	0.715	0.505	/	0.460	0.115	0.308
	LTE Band17	0.523	0.368	/	0.330	0.088	0.229
	WIFI 2.4G	0.134	0.319	0.247	0.129	/	/
WIFI2.4G Simultaneous \sum 1-g SAR(W/Kg)		1.144	1.068	/	0.619	/	/

The estimated SAR value with * Signal

SAR to Peak Location Separation Ratio (SPLSR)

As the Sum of the SAR is not greater than 1.6 W/kg SPLSR assessment is not required

11. Measurement Uncertainty

No.	Uncertainty Component	Type	Uncertainty Value (%)	Probability Distribution	k	ci	Standard Uncertainty (%) $u_i(\%)$	Degree of freedom ν_{eff} or ν_i
Measurement System								
1	– Probe Calibration	B	5.8	N	1	1	5.8	∞
2	– Axial isotropy	B	3.5	R	$\sqrt{3}$	0.5	1.43	∞
3	– Hemispherical Isotropy	B	5.9	R	$\sqrt{3}$	0.5	2.41	∞
4	– Boundary Effect	B	1	R	$\sqrt{3}$	1	0.58	∞
5	– Linearity	B	4.7	R	$\sqrt{3}$	1	2.71	∞
6	– System Detection Limits	B	1.0	R	$\sqrt{3}$	1	0.58	∞
7	Modulation response	B	3	N	1	1	3.00	
8	– Readout Electronics	B	0.5	N	1	1	0.50	∞
9	– Response Time	B	1.4	R	$\sqrt{3}$	1	0.81	∞
10	– Integration Time	B	3.0	R	$\sqrt{3}$	1	1.73	∞
11	– RF Ambient Conditions	B	3.0	R	$\sqrt{3}$	1	1.73	∞
12	– Probe Position Mechanical tolerance	B	1.4	R	$\sqrt{3}$	1	0.81	∞
13	– Probe Position with respect to Phantom Shell	B	1.4	R	$\sqrt{3}$	1	0.81	∞
14	– Extrapolation, Interpolation and Integration Algorithms for Max. SAR evaluation	B	2.3	R	$\sqrt{3}$	1	1.33	∞
Uncertainties of the DUT								

15	– Position of the DUT	A	2.6	N	$\sqrt{3}$	1	2.6	5
16	– Holder of the DUT	A	3	N	$\sqrt{3}$	1	3.0	5
17	– Output Power Variation – SAR drift measurement	B	5.0	R	$\sqrt{3}$	1	2.89	∞
Phantom and Tissue Parameters								
18	– Phantom Uncertainty(shape and thickness tolerances)	B	4	R	$\sqrt{3}$	1	2.31	∞
19	Uncertainty in SAR correction for deviation(in permittivity and conductivity)	B	2	N	1	1	2.00	
20	– Liquid Conductivity Target –tolerance	B	2.5	R	$\sqrt{3}$	0.6	1.95	∞
21	– Liquid Conductivity –measurement Uncertainty)	B	4	N	$\sqrt{3}$	1	0.92	9
22	– Liquid Permittivity Target tolerance	B	2.5	R	$\sqrt{3}$	0.6	1.95	∞
23	– Liquid Permittivity –measurement uncertainty	B	5	N	$\sqrt{3}$	1	1.15	∞
Combined Standard Uncertainty				RSS			10.63	
Expanded uncertainty (Confidence interval of 95 %)				K=2			21.26	

System Check Uncertainty

No.	Uncertainty Component	Type	Uncertainty Value (%)	Probability Distribution	k	ci	Standard Uncertainty (%) $u_i(\%)$	Degree of freedom V_{eff} or v_i
Measurement System								
1	– Probe Calibration	B	5.8	N	1	1	5.8	∞
2	– Axial isotropy	B	3.5	R	$\sqrt{3}$	0.5	1.43	∞

3	– Hemispherical Isotropy	B	5.9	R	$\sqrt{3}$	0.5	2.41	∞
4	– Boundary Effect	B	1	R	$\sqrt{3}$	1	0.58	∞
5	– Linearity	B	4.7	R	$\sqrt{3}$	1	2.71	∞
6	– System Detection Limits	B	1	R	$\sqrt{3}$	1	0.58	∞
7	Modulation response	B	0	N	1	1	0.00	
8	– Readout Electronics	B	0.5	N	1	1	0.50	∞
9	– Response Time	B	0.00	R	$\sqrt{3}$	1	0.00	∞
10	– Integration Time	B	1.4	R	$\sqrt{3}$	1	0.81	∞
11	– RF Ambient Conditions	B	3.0	R	$\sqrt{3}$	1	1.73	∞
12	– Probe Position Mechanical tolerance	B	1.4	R	$\sqrt{3}$	1	0.81	∞
13	– Probe Position with respect to Phantom Shell	B	1.4	R	$\sqrt{3}$	1	0.81	∞
14	– Extrapolation, Interpolation and Integration Algorithms for Max. SAR evaluation	B	2.3	R	$\sqrt{3}$	1	1.33	∞
Uncertainties of the DUT								
15	Deviation of experimental source from numerical source	A	4	N	1	1	4.00	5
16	Input Power and SAR drift measurement	A	5	R	$\sqrt{3}$	1	2.89	5
17	Dipole Axis to Liquid Distance	B	2	R	$\sqrt{3}$	1	1.2	∞
Phantom and Tissue Parameters								
18	– Phantom Uncertainty(shape	B	4	R	$\sqrt{3}$	1	2.31	∞



	and thickness tolerances)							
19	Uncertainty in SAR correction for deviation(in permittivity and conductivity)	B	2	N	1	1	2.00	
20	–Liquid Conductivity Target –tolerance	B	2.5	R	$\sqrt{3}$	0.6	1.95	∞
21	–Liquid Conductivity –measurement Uncertainty)	B	4	N	$\sqrt{3}$	1	0.92	9
22	–Liquid Permittivity Target tolerance	B	2.5	R	$\sqrt{3}$	0.6	1.95	∞
23	–Liquid Permittivity –measurement uncertainty	B	5	N	$\sqrt{3}$	1	1.15	∞
Combined Standard Uncertainty				RSS			10.15	
Expanded uncertainty (Confidence interval of 95 %)				K=2			20.29	



12. Equipment List

This table is a complete overview of the SAR measurement equipment. Devices used during the test described are marked .

	EQUIPMENT	Model	Serial number	Calibration Date	Due Date
<input checked="" type="checkbox"/>	SAR Probe	SSE2	SN27/15 EPGO261	2020/06/25	2021/06/24
<input checked="" type="checkbox"/>	Dipole	SID750	SN 23/15 DIP0G750-378	2020/06/25	2021/06/24
<input checked="" type="checkbox"/>	Dipole	SID835	SN 09/13 DIP0G835-217	2020/06/25	2021/06/24
<input checked="" type="checkbox"/>	Dipole	SID900	SN 09/13 DIP0G900-215	2020/06/25	2021/06/24
<input checked="" type="checkbox"/>	Dipole	SID1800	SN 09/13 DIP1G800-216	2020/06/25	2021/06/24
<input checked="" type="checkbox"/>	Dipole	SID2000	SN 09/13 DIP2G000-219	2020/06/25	2021/06/24
<input checked="" type="checkbox"/>	Dipole	SID2450	SN_09/13_DIP2G450-220	2020/06/25	2021/06/24
<input checked="" type="checkbox"/>	Dipole	SID2600	SN 32/14_DIP2G600-338	2020/06/25	2021/06/24
<input type="checkbox"/>	Dipole	SWG5500	SN15/15 WGA39	2020/06/25	2021/06/24
<input checked="" type="checkbox"/>	Multimeter	Keithley-2000	4014020	2020/04/03	2021/04/03
<input checked="" type="checkbox"/>	System Simulator(R&S)	CMW500	130805	2020/07/26	2021/07/25
<input checked="" type="checkbox"/>	KEYSIGHT	E7515A	MY56040357	2020/04/03	2021/04/03
<input checked="" type="checkbox"/>	Vector Network Analyzer(R&S)	ZVB8	A0802530	2020/04/03	2021/04/03
<input checked="" type="checkbox"/>	PC 3.5 Fixed Match Calibration Kit	ZV-Z32	100571	2020/11/26	2021/11/25
<input checked="" type="checkbox"/>	Dielectric Probe Kit	SCLMP	SN 09/13 OCPG51	2020/11/26	2021/11/25
<input checked="" type="checkbox"/>	Signal Generator	SMU200A	A140801888	2020/03/16	2021/03/15
<input checked="" type="checkbox"/>	Amplifier	Nucletudes	143060	2020/03/16	2021/03/15
<input checked="" type="checkbox"/>	Directional Coupler	DC6180A	305827	2020/03/16	2021/03/15
<input checked="" type="checkbox"/>	Power Meter	NRP2	A140401673	2020/03/16	2021/03/15
<input checked="" type="checkbox"/>	Power Sensor	NPR-Z11	1138.3004.02-114072-nq	2020/03/16	2021/03/15
<input checked="" type="checkbox"/>	Power Meter	NRVS	A0802531	2020/03/16	2021/03/15
<input checked="" type="checkbox"/>	Power Sensor	NRV-Z4	100069	2020/03/16	2021/03/15



ANNEX A: Appendix A: SAR System performance Check Plots

(Please See Appendix A)

ANNEX B: Appendix B: SAR Measurement results Plots

(Please See Appendix B)

ANNEX C: Appendix C: Calibration reports

(Please See Appendix C)

ANNEX D: Appendix D: SAR Test Setup

(Please See Appendix D)

—End of the Report—