



FCC SAR TEST REPORT

Report No. : SET2019-17018

Product : LTE/WCDMA/GSM(GPRS) Multi-Mode Digital Mobile Phone

Trade Name: ZTE

Model No. : ZTE 8000

FCC ID : SRQ-ZTE8000

Applicant : ZTE CORPORATION

Address : ZTE Plaza, Keji Road South, Hi-Tech, Industrial Park, Nanshan District, Shenzhen, Guangdong, 518057, P.R.China

Issued by : CCIC Southern Testing Co., Ltd

Lab Location : Electronic Testing Building, No. 43 Shahe Road Xili Street, Nanshan District, Shenzhen, Guangdong 518055, China

Tel : 86 755 26627338 **Fax:** 86 755 26627238

Mail : manager@ccic-set.com **Website:** <http://www.ccic-set.com>

This test report consists of 68 pages in total. It may be duplicated completely for legal use with the approval of the applicant. It should not be reproduced except in full, without the written approval of our laboratory. The client should not use it to claim product endorsement by CCIC-SET. The test results in the report only apply to the tested sample. The test report shall be invalid without all the signatures of testing engineers, reviewer and approver. Any objections must be raised to CCIC-SET within 15 days since the date when the report is received. It will not be taken into consideration beyond this limit.



Test Report

Product.: LTE/WCDMA/GSM(GPRS) Multi-Mode Digital Mobile Phone

Model No.: ZTE 8000

Brand Name.....: ZTE

FCC ID.....: SRQ-ZTE8000

Applicant.....: ZTE CORPORATION

Applicant Address.....: ZTE Plaza, Keji Road South, Hi-Tech, Industrial Park,Nanshan District,Shenzhen, Guangdong, 518057, P.R.China

Manufacturer.....: ZTE CORPORATION

Manufacturer Address: ZTE Plaza, Keji Road South, Hi-Tech, Industrial Park,Nanshan District,Shenzhen, Guangdong, 518057, P.R.China

Test Standards.....: **47CFR §2.1093-** Radiofrequency Radiation Exposure Evaluation: Portable Devices;
ANSI C95.1-1992: Safety Levels with Respect to Human Exposure to Radio Frequency Electromagnetic Fields, 3 kHz – 300 GHz.(IEEE Std C95.1-1991)
IEEE 1528-2013: IEEE Recommended Practice for Determining the Peak Spatial-Average Specific Absorption Rate (SAR) in the Human Head from Wireless Communications Devices: Measurement Techniques

Test Result.....: Pass

Test Date.....: 2019.12.16-2019.12.24

Tested by: *Mei Chun* 2019-12-27

 Mei Chun, Test Engineer

Reviewed by.....: *Chris You* 2019-12-27

 Chris You, Senior Engineer

Approved by.....: *Shuangwen Zhang* 2019-12-27

 Shuangwen Zhang, Manager



Contents

Test Report	2
1. Administrative Data	4
2. Equipment Under Test (EUT)	5
3. SAR Summary	7
4. Specific Absorption Rate (SAR)	9
5. Tissue check and recommend Dielectric Parameters	13
6. SAR measurement procedure	18
7. Conducted RF Output Power	19
8. SAR test Exclusion and estimate SAR calculation:	41
9. Scaling Factor calculation	44
10. Test Results	46
11. Simultaneous Transmissions Analysis	60
12. Measurement Uncertainty	62
13. Equipment List	66
ANNEX A: Appendix A: SAR System performance Check Plots.....	67
ANNEX B: Appendix B: SAR Measurement results Plots.....	67
ANNEX C: Appendix C: Calibration reports	67
ANNEX D: Appendix D: SAR Test Setup.....	67



1. Administrative Data

1.1 Testing Laboratory

Test Site: CCIC Southern Testing Co., Ltd

Address: Electronic Testing Building, No. 43 Shahe Road Xili Street, Nanshan District, Shenzhen, Guangdong 518055, China

CNAS Lab Code: CCIC Southern Testing Co., Ltd is a third party testing organization accredited by China National Accreditation Service for Conformity Assessment (CNAS) according to ISO/IEC 17025. The accreditation certificate number is L1659.

NVLAP Lab Code: CCIC-SET is a third party testing organization accredited by NVLAP according to ISO/IEC 17025. The accreditation certificate number is 201008.

FCC Registration: CCIC Southern Testing Co., Ltd . EMC Laboratory has been registered and fully described in a report filed with the FCC (Federal Communications Commission). The acceptance letter from the FCC is maintained in our files. Designation Number: CN5031, valid time is until December 31, 2020.

ISED Registration: CCIC Southern Testing Co., Ltd . EMC Laboratory has been registered by Certification and Engineering Bureau of Industry Canada for the performance of radiated measurements with Registration No. 11185A on Aug. 04, 2016, valid time is until Dec. 31, 2020.

Test Environment Temperature (°C): 21°C

Condition: Relative Humidity (%): 60%

Atmospheric Pressure (kPa): 86KPa-106KPa



2. Equipment Under Test (EUT)

Identification of the Equipment under Test

Device Type: Portable

Exposure Category: Population/Uncontrolled

Sample Name: LTE/WCDMA/GSM(GPRS) Multi-Mode Digital Mobile Phone

Brand Name: ZTE

Model Name: ZTE 8000

Support Band GSM850MHz/900MHz/1800MHz/1900MHz,
WCDMA 850MHz/900MHz/1700MHz/1900MHz,/2100MHz
LTE Band 2/3/4/5/7/26/28/66,WIFI 2.4G&5G,BT,GPS

Test Band GSM850MHz/1900MHz, WCDMA 850MHz/1700MHz/1900MHz,
LTE Band 2/4/5/7/26/66,WIFI 2.4G&5G, GPS

IMEI No. 865836040002223

Device Class Class B

Multi Class GPRS: Class 12; EGPRS: Class 12

Development Stage Identical Prototype

General description:

Accessories Power Supply

Hotspot 2.4GHz WLAN support Hotspot mode

Antenna type Internal Antenna

Operation mode GSM /WCDMA / LTE /WIFI

Modulation mode GSM(GMSK),UMTS(QPSK),LTE(QPSK,16QAM,64QAM),
WIFI(DSSS/OFDM),BT(GFSK/ π /4-DQPSK/8-DPSK)

DTM mode Not support

Hardware Version uqaA

Software Version ATT_MX_ZTE_8000_V1.0

ModelNo.: Li3949T44P8h906450

Battery options : Capacitance:4870mAh
Rated Voltage:3.85V
Charge Limit:4.4V

Max. SAR Value Head: 0.269 W/Kg
Body-Worn: 1.047 W/Kg

NOTE:

- a. The above EUT's information was declared by ZTE Corporation. Please refer to the specifications or user's manual for more detailed description.



EUT testing configuration

Tested frequency range(s)	Transmitter Frequency Range	Receiver Frequency Range
GSM850:	824-849 MHz	869-894 MHz
GSM1900:	1850-1910 MHz	1930-1990 MHz
UMTS Band II:	1850-1910 MHz	1930-1990 MHz
UMTS Band IV:	1710-1755 MHz	2110-2155 MHz
UMTS Band V:	824-849 MHz	869-894 MHz
LTE Band2:	1850-1910 MHz	1930-1990 MHz
LTE Band4:	1710-1755 MHz	2110-2155 MHz
LTE Band5:	824-849 MHz	869-894 MHz
LTE Band7:	2500-2570 MHz	2620-2690 MHz
LTE Band26:	814-849 MHz	859-894 MHz
LTE Band66:	1710-1780 MHz	2110-2200 MHz
WIFI(tested):	2412-2462 MHz	
	5150-5250 MHz	
	5725-5850 MHz	
Test channels(low-mid-high):	128-190-251(GSM850)	
	512-661-810(GSM1900)	
	9262-9400-9538(UMTS Band II)	
	1312-1412-1513(UMTS Band IV)	
	4132-4183-4233(UMTS Band V)	
	18700-18900-19100(LTE Band 2 Bandwidth 20M)	
	20050-20175-20300(LTE Band 4 Bandwidth 20M)	
	20450-20525-20600(LTE Band 5 Bandwidth 10M)	
	20850-21100-21350(LTE Band 7 Bandwidth 20M)	
	23780-23790-23800(LTE Band 26 Bandwidth 15M)	
	27310-27460-27560(LTE Band 66 Bandwidth 20M)	
	1-6-11(Wi-Fi 2.4G 802.11b)	
5180-5785 (WIFI 5G)		



3. SAR Summary

Highest Standalone SAR Summary

Exposure Position	Frequency Band	Scaled 1g-SAR(W/kg)	Highest Scaled 1g-SAR(W/kg)
Head	GSM850	0.189	0.269
	GSM1900	0.080	
	WCDMA Band II	0.118	
	WCDMA Band IV	0.106	
	WCDMA Band V	0.212	
	LTE Band 2	0.106	
	LTE Band 4	0.088	
	LTE Band 5	0.247	
	LTE Band 7	0.156	
	LTE Band 26	0.269	
	LTE Band 66	0.201	
	WIFI 2.4G 802.11b	0.035	
	WIFI 5G 802.11a	0.043	

Exposure Position	Frequency Band	Scaled 1g-SAR(W/kg)	Highest Scaled 1g-SAR(W/kg)
Body-worn (15mm Gap)	GSM850	0.371	1.047
	GSM1900	0.237	
	WCDMA Band II	0.354	
	WCDMA Band IV	0.160	
	WCDMA Band V	0.204	
	LTE Band 2	0.392	
	LTE Band 4	0.152	
	LTE Band 5	0.283	
	LTE Band 7	1.047	
	LTE Band 26	0.287	
	LTE Band 66	0.185	
	WIFI 2.4G 802.11b	0.084	
	WIFI 5G 802.11a	0.067	



Exposure Position	Frequency Band	Scaled 1g-SAR(W/kg)	Highest Scaled 1g-SAR(W/kg)
Hotspot (10mm Gap)	GSM850	0.485	0.909
	GSM1900	0.631	
	WCDMA Band II	0.909	
	WCDMA Band IV	0.405	
	WCDMA Band V	0.284	
	LTE Band 2	0.870	
	LTE Band 4	0.375	
	LTE Band 5	0.344	
	LTE Band 7	0.773	
	LTE Band 26	0.334	
	LTE Band 66	0.389	
	WIFI 2.4G 802.11b	0.084	

Highest Simultaneous SAR Summary

Exposure Position	Frequency Band	Highest Scaled 1g-SAR(W/kg)
Hotspot (10mmGap)	WWAN(LTE Band 7)&WIFI	0.909

4. Specific Absorption Rate (SAR)

4.1 Introduction

SAR is related to the rate at which energy is absorbed per unit mass in an object exposed to a radio field. The SAR distribution in a biological body is complicated and is usually carried out by experimental techniques or numerical modeling. The standard recommends limits for two tiers of groups, occupational/controlled and general population/uncontrolled, based on a person's awareness and ability to exercise control over his or her exposure. In general, occupational/controlled exposure limits are higher than the limits for general population/uncontrolled.

The SAR definition is the time derivative (rate) of the incremental energy (dW) absorbed by (dissipated in) an incremental mass (dm) contained in a volume element (dv) of a given density (ρ). The equation description is as below:

$$\text{SAR} = \frac{d}{dt} \left(\frac{dW}{dm} \right) = \frac{d}{dt} \left(\frac{dW}{\rho dv} \right)$$

SAR is expressed in units of Watts per kilogram (W/kg)

SAR measurement can be either related to the temperature elevation in tissue by

$$\text{SAR} = C \frac{\delta T}{\delta t}$$

where C is the specific heat capacity, δT is the temperature rise and δt the exposure duration, or related to the electrical field in the tissue by

$$\text{SAR} = \frac{\sigma |E|^2}{\rho}$$

where σ is the conductivity of the tissue, ρ is the mass density of the tissue and E is the rms electrical field strength.

However for evaluating SAR of low power transmitter, electrical field measurement is typically applied.



4.2 Applicable Standards and Limits

4.2.1 Applicable Standards

47CFR §2.1093	Radiofrequency Radiation Exposure Evaluation: Portable Devices
ANSI C95.1-1992	Safety Levels with Respect to Human Exposure to Radio Frequency Electromagnetic Fields, 3 kHz – 300 GHz.(IEEE Std C95.1-1991)
IEEE 1528-2013	IEEE Recommended Practice for Determining the Peak Spatial-Average Specific Absorption Rate (SAR) in the Human Head from Wireless Communications Devices: Measurement Techniques
KDB 248227 D01	v02r02 802.11 Wi-Fi SAR
KDB 447498 D01	v06 General RF Exposure Guidance
KDB 648474 D04	v01r03 Handset SAR
KDB 865664 D01	v01r04 SAR Measurement 100MHz to 6GHz
KDB 865664 D02	v01r02 SAR Exposure Reporting
KDB 941225 D01	v03r01 3G SAR Procedures
KDB 941225 D05	v02r05 SAR for LTE Devices
KDB 941225 D05A	v01r02 LTE Rel.10 KDB Inquiry Sheet
KDB 941225 D06	v02r01 Hotspot Mode

4.2.2 RF exposure Limits

Human Exposure	Uncontrolled Environment General Population
Spatial Peak SAR* (Brain/Body)	1.60 mW/g
Spatial Average SAR** (Whole Body)	0.08 mW/g
Spatial Peak SAR*** (Limbs)	4.00 mW/g

The limit applied in this test report is shown in bold letters.

Notes:

* The Spatial Peak value of the SAR averaged over any 10 grams of tissue (defined as a tissue volume in the shape of a cube) and over the appropriate averaging time

** The Spatial Average value of the SAR averaged over the whole body.

*** The Spatial Peak value of the SAR averaged over any 10 grams of tissue (defined as a tissue volume in the shape of a cube) and over the appropriate averaging time.

4.3 Phantoms

The phantom used for all tests i.e. for both system checks and device testing, was the twin-headed "SAM Phantom", manufactured by SATIMO. The SAM twin phantom is a fiberglass shell phantom with 2mm shell thickness (except the ear region, where shell thickness increases to 6mm).

System checking was performed using the flat section, whilst Head SAR tests used the left and right head profile sections. Body SAR testing also used the flat section between the head profiles.

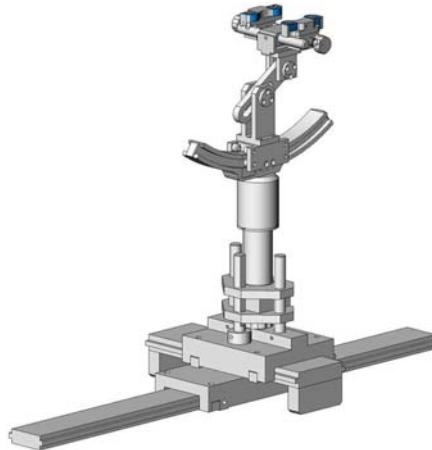


SAM Twin Phantom

4.4 Device Holder

The device was placed in the device holder (illustrated below) that is supplied by SATIMO as an integral part of the COMOSAR test system.

The device holder is designed to cope with the different positions given in the standard. It has two scales for device rotation (with respect to the body axis) and device inclination (with respect to the line between the ear reference points). The rotation centers for both scales is the ear reference point (ERP). Thus the device needs no repositioning when changing the angles.



Device holder

4.5 Probe Specification

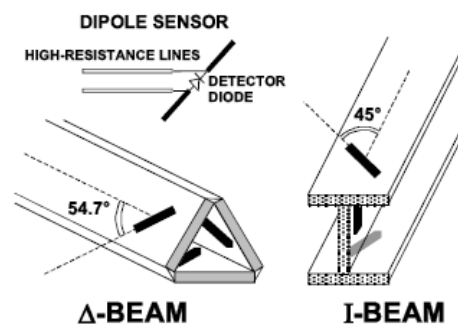


Construction	Symmetrical design with triangular core Interleaved sensors Built-in shielding against static charges PEEK enclosure material (resistant to organic solvents, e.g., DGBE)
Calibration	ISO/IEC 17025 calibration service available.
Frequency	700 MHz to 3 GHz; Linearity: ± 0.5 dB (700 MHz to 3 GHz)
Directivity	± 0.25 dB in HSL (rotation around probe axis) ± 0.5 dB in tissue material (rotation normal to probe axis)
Dynamic Range	1.5 μ W/g to 100 mW/g; Linearity: ± 0.5 dB
Dimensions	Overall length: 330 mm (Tip: 20 mm) Tip diameter: 5 mm Distance from probe tip to dipole centers: <2.7 mm
Application	General dosimetry up to 3 GHz Dosimetry in strong gradient fields Compliance tests of mobile phones
Compatibility	COMOSAR

Isotropic E-Field Probe

The isotropic E-Field probe has been fully calibrated and assessed for isotropicity, and boundary effect within a controlled environment. Depending on the frequency for which the probe is calibrated the method utilized for calibration will change.

The E-Field probe utilizes a triangular sensor arrangement as detailed in the diagram below:



5. Tissue check and recommend Dielectric Parameters

5.1 Tissue Dielectric Parameters for Head and Body Phantoms

The head tissue dielectric parameters recommended by the IEEE SCC-34/SC-2 in P1528 have been incorporated in the following table. These head parameters are derived from planar layer models simulating the highest expected SAR for the dielectric properties and tissue thickness Power drifts in a human head. Other head and body tissue parameters that have not been specified in P1528 are derived from the tissue dielectric parameters computed from the 4-Cole-Cole equations described in Reference [12] and extrapolated according to the head parameters specified in P1528.

Table 1: Recommended Dielectric Performance of Tissue

Ingredients (% by weight)	Frequency (MHz)											
	450		835		915		1900		2450		2600	
Tissue Type	Head	Body	Head	Body	Head	Body	Head	Body	Head	Body	Head	Body
Water	38.56	51.16	41.46	52.4	41.05	56.0	54.9	40.4	62.7	73.2	55.24	64.49
Salt (NaCl)	3.95	1.49	1.45	1.4	1.35	0.76	0.18	0.5	0.5	0.04	0.5	0.024
Sugar	56.32	46.78	56.0	45.0	56.5	41.76	0.0	58.0	0.0	0.0	0.0	0.0
HEC	0.98	0.52	1.0	1.0	1.0	1.21	0.0	1.0	0.0	0.0	0.0	0.0
Bactericide	0.19	0.05	0.1	0.1	0.1	0.27	0.0	0.1	0.0	0.0	0.0	0.0
Triton x-100	0.0	0.0	0.0	0.0	0.0	0.0	0.0	0.0	36.8	0.0	44.45	32.25
DGBE	0.0	0.0	0.0	0.0	0.0	0.0	44.92	0.0	0.0	26.7	0.0	26.7
Dielectric Constant	43.42	58.0	42.54	56.1	42.0	56.8	39.9	54.0	39.2	52.5	39.0	52.5
Conductivity (s/m)	0.85	0.83	0.91	0.95	1.0	1.07	1.42	1.45	1.80	1.78	1.96	2.16

MSL/HSL750 (Body and Head liquid for 650 – 850 MHz)

Item	Head Tissue Simulation Liquid HSL750 Muscle(body)Tissue Simulation Liquid MSL750			
H2O	Water, 35 – 58%			
Sucrose	Sugar, white, refined, 40-60%			
NaCl	Sodium Chloride, 0-6%			
Hydroxyethyl-cellulose	Medium Viscosity (CAS# 9004-62-0), <0.3%			
Preventol-D7	Preservative: aqueous preparation, (CAS# 55965-84-9), containing 5-chloro-2-methyl-3(2H)-isothiazolone and 2-methyl-3(2H)-isothiazolone, 0.1-0.7%			
Frequency (MHz)	Head ϵ_r	Head σ (S/m)	Body ϵ_r	Body σ (S/m)
750	41.9	0.89	55.2	0.97

Note: The liquid of 700MHz&2600MHz typical liquid composition is provided by SATIMO.

Frequency:5200/5400/5600/5800MHz	
Ingredients	(% by weight)
Water	78
Mineral oil	11
Emulsifiers	9
Additives and Salt	2

Table 2 Recommended Tissue Dielectric Parameters

Frequency (MHz)	Head Tissue		Body Tissue	
	ϵ_r	σ (S/m)	ϵ_r	σ (S/m)
150	52.3	0.76	61.9	0.80
300	45.3	0.87	58.2	0.92
450	43.5	0.87	56.7	0.94
835	41.5	0.90	55.2	0.97
900	41.5	0.97	55.0	1.05
915	41.5	0.98	55.0	1.06
1450	40.5	1.20	54.0	1.30
1610	40.3	1.29	53.8	1.40
1800-2000	40.0	1.40	53.3	1.52
2450	39.2	1.80	52.7	1.95
3000	38.5	2.40	52.0	2.73
5800	35.3	5.27	48.2	6.00

5.2 Simulate liquid

Liquid check results:

Table 3: Dielectric Performance of Head Tissue Simulating Liquid

Temperature: 23.2°C; Humidity: 64%;			
/	Frequency	Permittivity ϵ	Conductivity σ (S/m)
Target value	835MHz	41.5±5%	0.90±5%
Validation value (2019-12-16)	835MHz	41.58	0.93
Target value	1800MHz	40.5±5%	1.40±5%
Validation value (2019-12-17)	1800MHz	40.46	1.42
Target value	1900MHz	40.5±5%	1.40±5%
Validation value (2019-12-18)	1900MHz	40.39	1.41
Target value	2450MHz	39.2±5%	1.80±5%
Validation value (2019-12-19)	2450MHz	39.31	1.82
Target value	2600MHz	39.0±5%	1.96±5%
Validation value (2019-12-20)	2600MHz	39.14	1.98
Target value	5200MHz	36.0±5%	4.66±5%
Validation value (2019-12-21)	5200MHz	36.31	4.66
Target value	5200MHz	35.3±5%	5.27±5%
Validation value (2019-12-24)	5200MHz	35.60	5.27

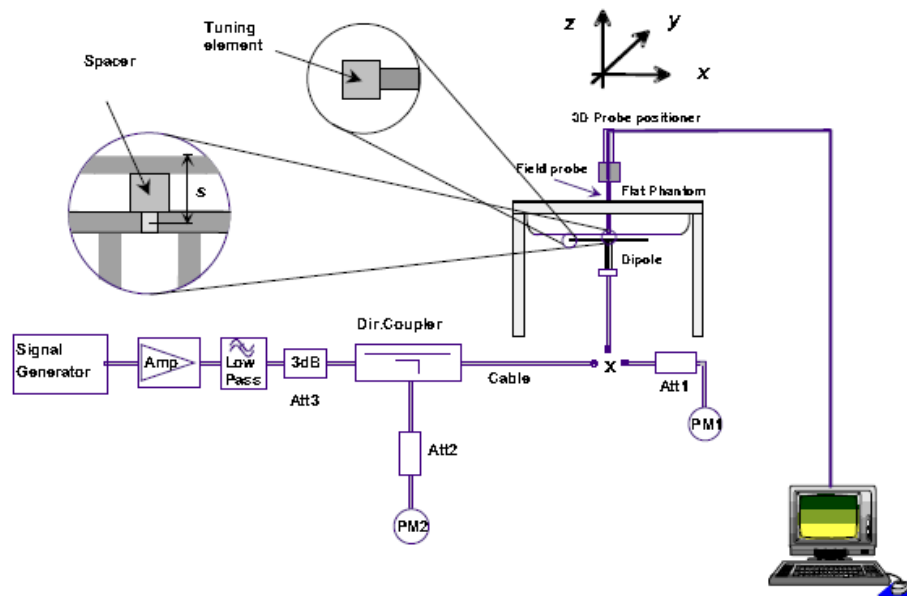
Dielectric Performance of Body Tissue Simulating Liquid

Temperature: 23.2°C; Humidity: 64%;			
/	Frequency	Permittivity ϵ	Conductivity σ (S/m)
Target value	835MHz	55.2±5%	0.97±5%
Validation value (2019-12-16)	835MHz	55.28	0.99
Target value	1800MHz	53.3±5%	1.52±5%
Validation value (2019-12-17)	1800MHz	53.47	1.53
Target value	1900MHz	53.3±5%	1.52±5%
Validation value (2019-12-18)	1900MHz	53.40	1.52
Target value	2450MHz	52.7±5%	1.95±5%
Validation value (2019-12-19)	2450MHz	52.82	1.98
Target value	2600MHz	52.5±5%	2.16±5%
Validation value (2019-12-20)	2600MHz	52.60	2.19
Target value	5200MHz	49.0±5%	5.30±5%
Validation value (2019-12-21)	5200MHz	49.43	5.32
Target value	5200MHz	48.2±5%	6.0±5%
Validation value (2019-12-24)	5200MHz	48.58	6.01

SAR System validation

Prior to the assessment, the system validation kit was used to test whether the system was operating within its specifications of $\pm 10\%$. The validation results are tabulated below. And also the corresponding SAR plot is attached as well in the SAR plots files.

The following procedure, recommended for performing validation tests using box phantoms is based on the procedures described in the IEEE standard P1528. Setup according to the setup diagram below:



With the SG and Amp and with directional coupler in place, set up the source signal at the relevant frequency and use a power meter to measure the power at the end of the SMA cable that you intend to connect to the balanced dipole. Adjust the SG to make this, say, 0.01W (10 dBm). If this level is too high to read directly with the power meter sensor, insert a calibrated attenuator (e.g. 10 or 20 dB) and make a suitable correction to the power meter reading.

Note 1: In this method, the directional coupler is used for monitoring rather than setting the exact feed power level.

If, however, the directional coupler is used for power measurement, you should check the frequency range and power rating of the coupler and measure the coupling factor (referred to output) at the test frequency using a VNA.

Note 2: Remember that the use of a 3dB attenuator (as shown in Figure 8.1 of P1528) means that you need an RF amplifier of 2 times greater power for the same feed power. The other issue is the cable length. You might get up to 1dB of loss per meter of cable, so the cable length after the coupler needs to be quite short.

Note 3: For the validation testing done using CW signals, most power meters are suitable. However, if you are measuring the output of a modulated signal from either a signal generator or a handset, you must ensure that the power meter correctly reads the modulated signals.

The measured 1-gram averaged SAR values of the device against the phantom are provided in Tables 5 and Table 6. The humidity and ambient temperature of test facility were 64% and 23.2°C respectively. The body phantom were full of the body tissue simulating liquid. The EUT was supplied with full-charged battery for each measurement.

The distance between the back of the EUT and the bottom of the flat phantom is 10 mm (taking into account of the IEEE 1528 and the place of the antenna).

Table 4: Head SAR system validation (1g)

Frequency	Duty cycle	Target value (W/kg)	Test value (W/kg)	
			10 mW	1W
835MHz(2019-12-16)	1:1	9.61±10%	0.0988	9.88
1800MHz(2019-12-17)	1:1	37.35±10%	0.4060	40.60
1900MHz(2019-12-18)	1:1	39.35±10%	0.3984	39.84
2450MHz(2019-12-19)	1:1	52.67±10%	0.5283	52.83
2600MHz(2019-12-20)	1:1	55.47±10%	0.5730	57.30
5200MHz(2019-12-21)	1:1	164.1±10%	1.7325	173.25
5800MHz(2019-12-24)	1:1	185.54±10%	1.9193	191.93

Body SAR system validation (1g)

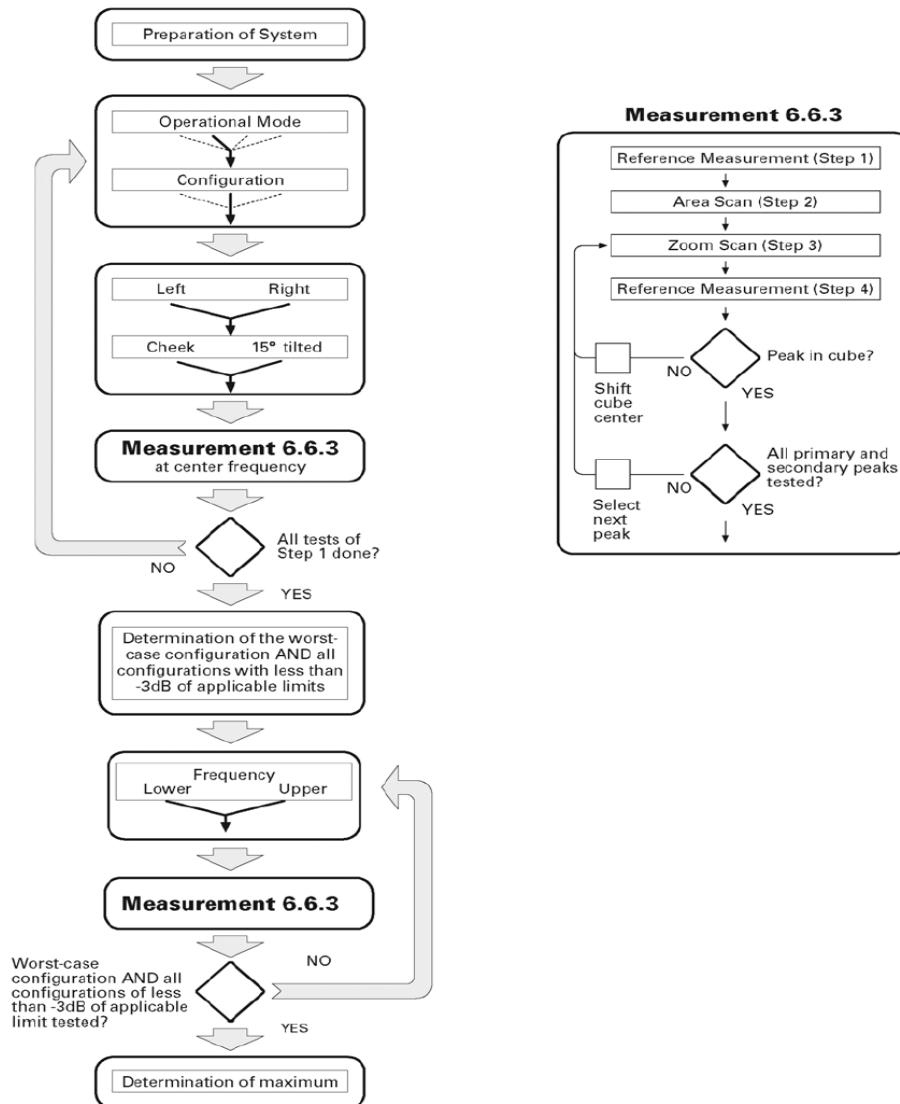
Frequency	Duty cycle	Target value (W/kg)	Test value (W/kg)	
			10 mW	1W
835MHz(2019-12-16)	1:1	9.88±10%	0.1019	10.19
1800MHz(2019-12-17)	1:1	37.68±10%	0.4030	40.30
1900MHz(2019-12-18)	1:1	38.84±10%	0.4087	40.87
2450MHz(2019-12-19)	1:1	51.42±10%	0.5081	50.81
2600MHz(2019-12-20)	1:1	53.45±10%	0.5484	54.84
5200MHz(2019-12-21)	1:1	155.78±10%	1.5548	155.48
5800MHz(2019-12-24)	1:1	170.49±10%	1.5895	158.95

* Note: Target value was referring to the measured value in the calibration certificate of reference dipole.

Note: All SAR values are normalized to 1W forward power.

6. SAR measurement procedure

The SAR test against the head phantom was carried out as follow:



Establish a call with the maximum output power with a base station simulator, the connection between the EUT and the base station simulator is established via air interface.

After an area scan has been done at a fixed distance of 2mm from the surface of the phantom on the source side, a 3D scan is set up around the location of the maximum spot SAR. First, a point within the scan area is visited by the probe and a SAR reading taken at the start of testing. At the end of testing, the probe is returned to the same point and a second reading is taken. Comparison between these start and end readings enables the power drift during measurement to be assessed.

Above is the scanning procedure flow chart and table from the IEEE p1528 standard. This is the procedure for which all compliant testing should be carried out to ensure that all variations of the device position and transmission behavior are tested.

7. Conducted RF Output Power

7.1 GSM Conducted Power

GSM850		Burst-Averaged output Power (dBm)			Division Factors	Frame-Averaged output Power (dBm)		
		128CH	190CH	251CH		28CH	190CH	251CH
GSM (CS)		32.25	32.28	32.19	-9.03	23.22	23.25	23.16
GPRS (GMSK)	1 Tx Slot	32.14	32.26	32.21	-9.03	23.11	23.23	23.18
	2 Tx Slots	30.05	30.17	30.12	-6.02	24.03	24.15	24.10
	3 Tx Slots	28.76	28.89	28.83	-4.26	24.50	24.63	24.57
	4 Tx Slots	27.61	27.76	27.70	-3.01	24.60	24.75	24.69
EDGE (8PSK)	1 Tx Slot	25.75	25.93	25.88	-9.03	16.72	16.90	16.85
	2 Tx Slots	23.51	23.66	23.57	-6.02	17.49	17.64	17.55
	3 Tx Slots	22.23	22.40	22.32	-4.26	17.97	18.14	18.06
	4 Tx Slots	21.08	21.19	21.13	-3.01	18.07	18.18	18.12
GSM1900		Burst-Averaged output Power (dBm)			Division Factors	Frame-Averaged output Power (dBm)		
		512CH	661CH	810CH		512CH	661CH	810CH
GSM (CS)		28.89	28.97	28.67	-9.03	19.86	19.94	19.64
GPRS (GMSK)	1 Tx Slot	28.87	28.95	28.65	-9.03	19.84	19.92	19.62
	2 Tx Slots	26.61	26.74	26.50	-6.02	20.59	20.72	20.48
	3 Tx Slots	25.33	25.45	25.21	-4.26	21.07	21.19	20.95
	4 Tx Slots	24.14	24.30	24.02	-3.01	21.13	21.29	21.01
EDGE (8PSK)	1 Tx Slot	26.39	26.45	25.79	-9.03	17.36	17.42	16.76
	2 Tx Slots	24.13	24.21	23.66	-6.02	18.11	18.19	17.64
	3 Tx Slots	23.01	23.10	22.84	-4.26	18.75	18.84	18.58
	4 Tx Slots	21.88	21.96	21.62	-3.01	18.87	18.95	18.61

Note: Per KDB 447498 D01 v06, the maximum output power channel is used for SAR testing and for further SAR test reduction.

For hotspot SAR, EUT was performed at GPRS Class 12 multi-slots(4Tx) mode

For Head and Body-worn SAR testing, EUT was set in GSM Voice mode for both GSM850 and GSM1900

Timeslot consignations

No. Of Slots	Slot 1	Slot 2	Slot 3	Slot 4
Slot Consignation	1Up4Down	2UpDown	3UpDown	4Up1Down
Duty Cycle	1:8	1:4	1:2.67	1:2
Crest Factor	-9.03dB	-6.02dB	-4.26dB	-3.01dB

7.2 WCDMA Conducted output Power

UMTS1900 (Band II)		Average Power (dBm)		
		9262CH	9400CH	9538cH
WCDMA	12.2kbps RMC	22.46	22.58	22.37
HSDPA	Subtest 1	22.37	22.47	22.26
	Subtest 2	22.26	22.38	22.17
	Subtest 3	22.18	22.26	22.05
	Subtest 4	22.09	22.18	21.92
HSUPA	Subtest 1	21.94	22.07	21.83
	Subtest 2	21.86	21.96	21.75
	Subtest 3	21.75	21.85	21.66
	Subtest 4	21.67	21.77	21.52
	Subtest 5	21.56	21.66	21.43
UMTS1700 (Band IV)		Average Power (dBm)		
		1313CH	1413CH	1513CH
WCDMA	12.2kbps RMC	22.94	22.69	22.88
HSDPA	Subtest 1	22.86	22.58	22.76
	Subtest 2	22.74	22.47	22.67
	Subtest 3	22.65	22.38	22.56
	Subtest 4	22.56	22.27	22.47
HSUPA	Subtest 1	22.48	22.15	22.38
	Subtest 2	22.37	22.05	22.26
	Subtest 3	22.26	21.97	22.15
	Subtest 4	22.15	21.83	22.07
	Subtest 5	22.04	21.75	21.93
UMTS850 (Band V)		Average Power (dBm)		
		4132CH	4183CH	4233CH
WCDMA	12.2kbps RMC	23.32	23.36	23.11
HSDPA	Subtest 1	23.24	23.27	23.04
	Subtest 2	23.13	23.18	22.95
	Subtest 3	23.05	23.06	22.86
	Subtest 4	22.92	22.97	22.75
HSUPA	Subtest 1	22.83	22.86	22.66
	Subtest 2	22.71	22.78	22.57
	Subtest 3	22.64	22.69	22.45
	Subtest 4	22.52	22.57	22.34
	Subtest 5	22.41	22.46	22.23

Note:

1. WCDMA SAR was tested under RMC 12.2kbps with HSPA Inactive per KDB Publication 941225 D01v03r01.HSPA SAR was not requires since the average output power of the HSPA subtests was not more than 0.25dB higher than the RMC level and SAR was less than 1.2W/kg.
2. It is expected by the manufacturer that MPR for some HSPA subtests may be up to 2dB more than specified by 3GPP, but also as low as 0dB according to the chipset implementation in this model

7.3 LTE Conducted peak output Power

LTE Test Configurations

The CMW500 Wide Band Radio Communication Tester was used for LTE output power measurements and SAR testing. Closed loop power control was used so the UE transmits with maximum output power during SAR testing. SAR test were performed with the same number of RB and RB offsets transmitting on all frames.

1) Spectrum Plots for RB configurations

A properly configured base station simulator was used for LTE output power measurements and SAR testing. Therefore, spectrum plots for RB configurations were not required to be included in this report.

2) MPR

When MPR is implemented permanently within the UE, regardless of network requirements, only those RB configurations allowed by 3GPP for the channel bandwidth and modulation combinations may be tested with MPR active. Configurations with RB allocations less than the RB thresholds required by 3GPP must be tested without MPR.

The allowed Maximum Power Reduction(MPR) for the maximum output power due to higher order modulation and transmit bandwidth configuration (resource blocks) is specified in Table 6.2.3-1 of the 3GPP TS36.101:

Table 6.2.3-1: Maximum Power Reduction (MPR) for Power Class 3

Modulation	Channel bandwidth / Transmission bandwidth configuration [RB]						MPR (dB)
	1.4 MHz	3.0 MHz	5 MHz	10 MHz	15 MHz	20 MHz	
QPSK	> 5	> 4	> 8	> 12	> 16	> 18	≤ 1
16 QAM	≤ 5	≤ 4	≤ 8	≤ 12	≤ 16	≤ 18	≤ 1
16 QAM	> 5	> 4	> 8	> 12	> 16	> 18	≤ 2

3)A-MPR LTE procedures for SAR testing

A-MPR(Additional MPR) has been disabled for all SAR tests by using Network Signaling Value of “NS_01” on the base station simulator.

4)LTE procedures for SAR testing

A) Largest channel bandwidth standalone SAR test

requirements i) QPSK with 1 RB allocation

Start with the largest channel bandwidth and measure SAR for QPSK with 1 RB allocation, using the RB offset and required test channel combination with the highest maximum output power for RB offsets at the upper edge, middle and lower edge of each required test channel. When the reported SAR is $\leq 0.8\text{W/kg}$, testing of the remaining RB offset configurations and required test channels is not required for 1RB allocation; otherwise, SAR is required for the remaining required test channels and only for the RB offset configuration with the highest output power for that channel. When the reported SAR of a required test channel is $> 1.45\text{W/kg}$, SAR is required for all three RB offset configurations for that required test channel.



1. LTE Band 2 Conducted Power Test Verdict:

LTE FDD Band 2				Conducted Power(dBm)			Tune up
Bandwidth	Modulation	RB size	RB offset	Channel/Frequency			
				18607/1850.7	18900/1880	19193/1909.3	
1.4MHz	QPSK	1	0	21.35	21.39	21.49	20.5±1.0
		1	3	21.43	21.35	21.36	
		1	5	21.33	21.23	21.22	
		3	0	21.03	20.97	20.91	20.5±1.0
		3	2	21.03	21.05	21.02	
		3	3	20.98	21.09	21.11	
	6	0	20.79	20.7	20.76	20.0±1.0	
	16QAM	1	0	20.49	20.58	20.4	20.0±1.0
		1	3	20.44	20.54	20.44	
		1	5	20.65	20.53	20.5	
		3	0	20.3	20.19	20.18	19.5±1.0
		3	2	20.1	20.23	20.23	
		3	3	20.3	20.07	20.11	
		6	0	19.86	19.88	19.85	19.0±1.0
Bandwidth	Modulation	RB size	RB offset	Channel/Frequency			Tune up
3MHz	QPSK	1	0	21.26	21.34	21.21	20.5±1.0
		1	7	21.26	21.39	21.44	
		1	14	21.38	21.3	21.45	
		8	0	21.05	21	21.08	20.5±1.0
		8	4	21.01	20.96	20.94	
		8	7	21	20.97	21.07	
		15	0	20.7	20.75	20.76	20.0±1.0
	16QAM	1	0	20.42	20.46	20.63	20.0±1.0
		1	7	20.52	20.43	20.61	
		1	14	20.64	20.43	20.5	
		8	0	20.06	20.18	20.13	19.5±1.0
		8	4	20.3	20.17	20.05	
		8	7	20.05	20.08	20.26	
		15	0	19.93	19.95	19.95	19.0±1.0



LTE FDD Band 2				Conducted Power(dBm)			
Bandwidth	Modulation	RB size	RB offset	Channel/Frequency			Tune up
				18625/1852.5	18900/1880	19175/1907.5	
5MHz	QPSK	1	0	21.22	21.23	21.27	20.5±1.0
		1	13	21.47	21.49	21.25	
		1	24	21.32	21.45	21.47	
		12	0	21.13	21.1	20.97	20.5±1.0
		12	6	20.85	20.87	20.99	
		12	13	20.86	21.03	20.95	
	25	0	20.73	20.8	20.71	20.0±1.0	
	16QAM	1	0	20.59	20.41	20.61	20.0±1.0
		1	13	20.59	20.38	20.46	
		1	24	20.54	20.55	20.56	
		12	0	20.3	20.08	20.16	19.5±1.0
		12	6	20.17	20.29	20.07	
		12	13	20.26	20.09	20.13	
		25	0	19.86	19.88	19.85	19.0±1.0
Bandwidth	Modulation	RB size	RB offset	Channel/Frequency			Tune up
				18650/1855	18900/1880	19150/1905	
10MHz	QPSK	1	0	21.38	21.37	21.33	20.5±1.0
		1	25	21.42	21.26	21.29	
		1	49	21.25	21.43	21.47	
		25	0	20.96	21.09	21.11	20.5±1.0
		25	13	20.94	21.1	21.13	
		25	25	20.85	21.03	21.02	
		50	0	20.78	20.74	20.76	20.0±1.0
	16QAM	1	0	20.42	20.62	20.36	20.0±1.0
		1	25	20.64	20.63	20.39	
		1	49	20.49	20.43	20.45	
		25	0	20.03	20.14	20.09	19.5±1.0
		25	13	20	20.03	20.19	
		25	25	20.22	20.14	20.17	
		50	0	19.92	19.94	19.87	19.0±1.0



LTE FDD Band 2				Conducted Power(dBm)			
Bandwidth	Modulation	RB size	RB offset	Channel/Frequency			Tune up
				18675/1857.5	18900/1880	19125/1902.5	
15MHz	QPSK	1	0	21.49	21.28	21.44	20.5±1.0
		1	38	21.29	21.44	21.23	
		1	74	21.42	21.44	21.25	
		36	0	21.06	21.13	21.06	20.5±1.0
		36	18	21	20.89	21.04	
		36	39	20.96	20.93	21.03	
		75	0	20.8	20.73	20.74	20.0±1.0
	16QAM	1	0	20.42	20.62	20.63	20.0±1.0
		1	38	20.41	20.41	20.51	
		1	74	20.45	20.54	20.38	
		36	0	20.17	20.25	20.26	19.5±1.0
		36	18	20.29	20.17	20.3	
		36	39	20.08	20.16	20.2	
		75	0	19.93	19.87	19.92	19.0±1.0
Bandwidth	Modulation	RB size	RB offset	Channel/Frequency			Tune up
				18700/1860	18900/1880	19100/1900	
20MHz	QPSK	1	0	21.38	21.56	21.46	21.0±1.0
		1	50	21.36	21.35	21.43	
		1	99	21.25	21.42	21.23	
		50	0	20.95	21.15	21.09	20.5±1.0
		50	25	20.85	20.88	20.97	
		50	50	20.97	20.93	21.07	
		100	0	20.79	20.79	20.72	20.0±1.0
	16QAM	1	0	20.4	20.55	20.46	20.0±1.0
		1	50	20.64	20.45	20.43	
		1	99	20.43	20.37	20.38	
		50	0	20.2	20.28	20.2	19.5±1.0
		50	25	20.03	20.3	20.24	
		50	50	20.19	20.01	20.14	
		100	0	19.94	19.92	19.88	19.0±1.0



2. LTE Band 4 Conducted Power Test Verdict:

LTE FDD Band 4				Conducted Power(dBm)			Tune up
Bandwidth	Modulation	RB size	RB offset	Channel/Frequency			
				19957/1710.7	20175/1732.5	20393/1754.3	
1.4MHz	QPSK	1	0	22.19	22.04	22.12	21.5±1.0
		1	3	21.93	22.02	21.9	
		1	5	21.93	22.02	22.2	
		3	0	21.64	21.8	21.58	21.0±1.0
		3	2	21.7	21.76	21.67	
		3	3	21.73	21.72	21.8	
	6	0	21.46	21.49	21.42	20.5±1.0	
	16QAM	1	0	21.14	21.09	21.35	20.5±1.0
		1	3	21.1	21.23	21.18	
		1	5	21.07	21.31	21.25	
		3	0	20.71	20.76	21	20.0±1.0
		3	2	20.9	20.77	20.77	
		3	3	20.78	20.82	20.85	
		6	0	20.6	20.64	20.58	20.0±1.0
Bandwidth	Modulation	RB size	RB offset	Channel/Frequency			Tune up
				19965/1711.5	20175/1732.5	20385/1753.5	
3MHz	QPSK	1	0	22.03	22.02	22.01	21.5±1.0
		1	7	22.2	22.17	22	
		1	14	21.97	22	22.02	
		8	0	21.62	21.73	21.71	21.0±1.0
		8	4	21.77	21.61	21.63	
		8	7	21.64	21.65	21.72	
		15	0	21.4	21.47	21.48	20.5±1.0
	16QAM	1	0	21.23	21.21	21.11	20.5±1.0
		1	7	21.14	21.35	21.28	
		1	14	21.09	21.27	21.14	
		8	0	20.73	20.95	20.93	20.0±1.0
		8	4	20.88	20.81	20.9	
		8	7	20.88	20.83	20.8	
		15	0	20.65	20.57	20.58	20.0±1.0



LTE FDD Band 4				Conducted Power(dBm)			
Bandwidth	Modulation	RB size	RB offset	Channel/Frequency			Tune up
				19975/1712.5	20175/1732.5	20375/1752.5	
5MHz	QPSK	1	0	21.93	22.04	21.91	21.5±1.0
		1	13	22.16	21.92	22.12	
		1	24	22.15	22.04	22.02	
		12	0	21.79	21.78	21.58	21.0±1.0
		12	6	21.75	21.75	21.71	
		12	13	21.59	21.58	21.62	
		25	0	21.46	21.46	21.43	20.5±1.0
	16QAM	1	0	21.12	21.23	21.12	20.5±1.0
		1	13	21.35	21.14	21.15	
		1	24	21.25	21.09	21.16	
		12	0	20.8	20.71	21	20.0±1.0
		12	6	20.77	20.89	20.72	
		12	13	20.76	20.74	20.95	
		25	0	20.62	20.56	20.55	20.0±1.0
Bandwidth	Modulation	RB size	RB offset	Channel/Frequency			Tune up
				20000/1715	20175/1732.5	20350/1750	
10MHz	QPSK	1	0	22.19	22.05	21.91	21.5±1.0
		1	25	22	21.95	21.91	
		1	49	22.2	21.97	22	
		25	0	21.59	21.75	21.65	21.0±1.0
		25	13	21.68	21.84	21.59	
		25	25	21.6	21.74	21.85	
		50	0	21.41	21.49	21.47	20.5±1.0
	16QAM	1	0	21.05	21.19	21.32	20.5±1.0
		1	25	21.24	21.06	21.23	
		1	49	21.3	21.3	21.11	
		25	0	20.72	20.76	20.82	20.0±1.0
		25	13	20.77	20.91	20.85	
		25	25	20.77	20.9	20.75	
		50	0	20.65	20.65	20.56	20.0±1.0



LTE FDD Band 4				Conducted Power(dBm)			
Bandwidth	Modulation	RB size	RB offset	Channel/Frequency			Tune up
				20025/1717.5	20175/1732.5	20325/1747.5	
15MHz	QPSK	1	0	21.92	22.2	22	21.5±1.0
		1	38	21.97	21.91	21.91	
		1	74	22.18	22.19	21.95	
		36	0	21.8	21.79	21.81	21.0±1.0
		36	18	21.71	21.82	21.72	
		36	39	21.81	21.65	21.61	
		75	0	21.41	21.43	21.45	20.5±1.0
	16QAM	1	0	21.32	21.29	21.22	20.5±1.0
		1	38	21.24	21.09	21.3	
		1	74	21.1	21.3	21.15	
		36	0	20.8	20.71	20.99	20.0±1.0
		36	18	20.88	20.74	20.74	
		36	39	20.9	20.75	20.97	
		75	0	20.61	20.63	20.59	20.0±1.0
Bandwidth	Modulation	RB size	RB offset	Channel/Frequency			Tune up
				20050/1720	20175/1732.5	20300/1745	
20MHz	QPSK	1	0	22.22	22.23	22.19	21.5±1.0
		1	50	22.03	22.11	21.92	
		1	99	22.18	22.09	22.16	
		50	0	21.7	21.84	21.6	21.0±1.0
		50	25	21.82	21.59	21.59	
		50	50	21.62	21.8	21.74	
		100	0	21.41	21.46	21.41	20.5±1.0
	16QAM	1	0	21.12	21.32	21.21	20.5±1.0
		1	50	21.29	21.24	21.27	
		1	99	21.09	21.12	21.23	
		50	0	20.87	20.72	20.79	20.0±1.0
		50	25	20.74	20.89	20.85	
		50	50	20.91	20.93	20.9	
		100	0	20.65	20.57	20.58	20.0±1.0

3. LTE Band 5 Conducted Power Test Verdict:

LTE FDD Band 5				Conducted Power(dBm)			Tune up
Bandwidth	Modulation	RB size	RB offset	Channel/Frequency			
				20407/824.7	20525/836.5	20643/848.3	
1.4MHz	QPSK	1	0	23	22.99	23.08	22.5±1.0
		1	3	22.98	23.01	22.82	
		1	5	22.87	22.93	22.92	
		3	0	22.71	22.51	22.55	22.0±1.0
		3	2	22.54	22.57	22.64	
		3	3	22.52	22.69	22.52	
		6	0	22.38	22.39	22.3	21.5±1.0
	16QAM	1	0	22.05	22.16	22.14	21.5±1.0
		1	3	22.06	21.97	22.1	
		1	5	22.13	22.1	22.09	
		3	0	21.75	21.78	21.72	21.0±1.0
		3	2	21.79	21.64	21.75	
		3	3	21.88	21.86	21.78	
		6	0	21.5	21.4	21.45	20.5±1.0
Bandwidth	Modulation	RB size	RB offset	Channel/Frequency			Tune up
3MHz	QPSK	1	0	23.05	23.05	22.88	22.5±1.0
		1	7	23.1	22.96	22.84	
		1	14	22.9	22.89	22.91	
		8	0	22.56	22.58	22.6	22.0±1.0
		8	4	22.62	22.45	22.66	
		8	7	22.7	22.51	22.55	
		15	0	22.38	22.33	22.4	21.5±1.0
	16QAM	1	0	21.98	22.17	22.04	21.5±1.0
		1	7	22.05	22	22.14	
		1	14	22.24	22.04	21.97	
		8	0	21.81	21.7	21.7	21.0±1.0
		8	4	21.61	21.65	21.77	
		8	7	21.82	21.76	21.7	
		15	0	21.46	21.4	21.43	20.5±1.0



LTE FDD Band 5				Conducted Power(dBm)			
Bandwidth	Modulation	RB size	RB offset	Channel/Frequency			Tune up
				20425/826.5	20525/836.5	20625/846.5	
5MHz	QPSK	1	0	22.99	22.91	23.06	22.5±1.0
		1	13	22.86	22.87	22.94	
		1	24	22.9	22.84	22.84	
		12	0	22.52	22.5	22.62	22.0±1.0
		12	6	22.75	22.71	22.54	
		12	13	22.61	22.72	22.53	
	25	0	22.32	22.4	22.39	21.5±1.0	
	16QAM	1	0	22.09	21.98	21.98	21.5±1.0
		1	13	22.19	22.01	22.21	
		1	24	22.14	22.01	22.19	
		12	0	21.66	21.76	21.6	21.0±1.0
		12	6	21.88	21.75	21.82	
		12	13	21.62	21.62	21.61	
		25	0	21.42	21.43	21.48	20.5±1.0
Bandwidth	Modulation	RB size	RB offset	Channel/Frequency			Tune up
				20450/829	20525/836.5	20600/844	
10MHz	QPSK	1	0	23.05	23.16	23.13	22.5±1.0
		1	25	22.82	22.86	22.89	
		1	49	22.99	23	22.99	
		25	0	22.7	22.74	22.52	22.0±1.0
		25	13	22.67	22.56	22.57	
		25	25	22.66	22.71	22.53	
		50	0	22.37	22.35	22.38	
	16QAM	1	0	22.06	22.13	21.96	21.5±1.0
		1	25	22.17	21.99	22.01	
		1	49	22.23	22.21	22.07	
		25	0	21.74	21.9	21.69	21.0±1.0
		25	13	21.77	21.79	21.86	
		25	25	21.62	21.73	21.63	
		50	0	21.44	21.48	21.48	



4. LTE Band 7 Conducted Power Test Verdict:

LTE FDD Band 7				Conducted Power(dBm)			Tune up
Bandwidth	Modulation	RB size	RB offset	Channel/Frequency			
				20775/2502.5	21100/2535	21425/2567.5	
5MHz	QPSK	1	0	21.15	21.1	21.14	20.5±1.0
		1	13	21.13	21.34	21.21	
		1	24	21.31	21.18	21.28	
		12	0	20.88	20.92	20.86	20.0±1.0
		12	6	20.73	20.91	20.83	
		12	13	20.98	20.76	21	
		25	0	20.55	20.63	20.65	20.0±1.0
	16QAM	1	0	20.48	20.34	20.47	19.5±1.0
		1	13	20.33	20.32	20.31	
		1	24	20.43	20.25	20.46	
		12	0	20.01	19.85	19.91	19.5±1.0
		12	6	19.91	20.02	20.15	
		12	13	19.89	19.93	20.11	
		25	0	19.76	19.79	19.7	19.0±1.0
Bandwidth	Modulation	RB size	RB offset	Channel/Frequency			Tune up
10MHz	QPSK	1	0	21.22	21.23	21.18	20.5±1.0
		1	25	21.22	21.33	21.35	
		1	49	21.4	21.34	21.14	
		25	0	20.73	20.97	20.91	20.0±1.0
		25	13	20.86	20.72	20.76	
		25	25	20.79	20.86	20.96	
		50	0	20.59	20.65	20.65	20.0±1.0
	16QAM	1	0	20.29	20.49	20.26	19.5±1.0
		1	25	20.29	20.5	20.42	
		1	49	20.48	20.5	20.22	
		25	0	19.98	19.99	20.04	19.5±1.0
		25	13	20.14	19.86	20.15	
		25	25	19.87	20.07	20.02	
		50	0	19.78	19.71	19.73	19.0±1.0
				20800/2505	21100/2535	21400/2565	



LTE FDD Band 7				Conducted Power(dBm)			
Bandwidth	Modulation	RB size	RB offset	Channel/Frequency			Tune up
				20825/2507.5	21100/2535	21375/2562.5	
15MHz	QPSK	1	0	21.28	21.38	21.29	20.5±1.0
		1	38	21.17	21.37	21.37	
		1	74	21.35	21.28	21.4	
		36	0	20.9	20.95	20.71	20.0±1.0
		36	18	20.99	20.74	20.94	
		36	39	20.84	20.85	20.85	
		75	0	20.65	20.55	20.65	20.0±1.0
	16QAM	1	0	20.21	20.3	20.2	19.5±1.0
		1	38	20.2	20.33	20.35	
		1	74	20.36	20.46	20.27	
		36	0	20.03	20.12	20.02	19.5±1.0
		36	18	19.91	20	19.97	
		36	39	19.95	20.01	19.97	
		75	0	19.8	19.77	19.73	
Bandwidth	Modulation	RB size	RB offset	Channel/Frequency			Tune up
				20850/2510	21100/2535	21350/2560	
20MHz	QPSK	1	0	21.44	21.47	21.44	20.5±1.0
		1	50	21.15	21.37	21.37	
		1	99	21.16	21.15	21.21	
		50	0	20.87	20.99	20.87	20.0±1.0
		50	25	20.91	20.7	20.79	
		50	50	20.88	20.73	20.8	
		100	0	20.63	20.56	20.56	
	16QAM	1	0	20.39	20.43	20.47	19.5±1.0
		1	50	20.44	20.42	20.36	
		1	99	20.31	20.29	20.38	
		50	0	20.14	20.05	19.98	19.5±1.0
		50	25	20.14	19.91	19.96	
		50	50	19.99	20.12	19.89	
		100	0	19.72	19.79	19.73	



5. LTE Band 26 Conducted Power Test Verdict:

LTE FDD Band 26				Conducted Power(dBm)			
Bandwidth	Modulation	RB size	RB offset	Channel/Frequency			Tune up
				26697/814.7	26865/831.5	27033/848.3	
1.4MHz	QPSK	1	0	22.71	22.65	22.63	22.0±1.0
		1	3	22.64	22.7	22.82	
		1	5	22.9	22.66	22.7	
		3	0	22.23	22.35	22.29	21.5±1.0
		3	2	22.42	22.3	22.23	
		3	3	22.35	22.27	22.21	
		6	0	22.12	22.11	22.15	21.5±1.0
	16QAM	1	0	21.71	21.97	21.8	21.0±1.0
		1	3	21.9	21.94	21.78	
		1	5	21.71	21.76	22	
		3	0	21.53	21.39	21.44	21.0±1.0
		3	2	21.57	21.52	21.35	
		3	3	21.55	21.63	21.52	
		6	0	21.27	21.25	21.29	20.5±1.0
Bandwidth	Modulation	RB size	RB offset	Channel/Frequency			Tune up
				26705/815.5	26865/831.5	27025/847.5	
3MHz	QPSK	1	0	22.81	22.8	22.69	22.0±1.0
		1	7	22.64	22.63	22.65	
		1	14	22.9	22.81	22.79	
		8	0	22.4	22.32	22.47	21.5±1.0
		8	4	22.3	22.22	22.41	
		8	7	22.49	22.38	22.38	
		15	0	22.14	22.09	22.1	21.5±1.0
	16QAM	1	0	21.73	21.89	21.84	21.0±1.0
		1	7	21.91	21.72	21.85	
		1	14	21.95	21.96	21.75	
		8	0	21.57	21.49	21.49	21.0±1.0
		8	4	21.6	21.6	21.55	
		8	7	21.59	21.35	21.49	
		15	0	21.25	21.27	21.3	20.5±1.0



LTE FDD Band 26				Conducted Power(dBm)			
Bandwidth	Modulation	RB size	RB offset	Channel/Frequency			Tune up
				26715/816.5	26865/831.5	27015/846.5	
5MHz	QPSK	1	0	22.6	22.87	22.66	22.0±1.0
		1	13	22.85	22.63	22.78	
		1	24	22.77	22.79	22.66	
		12	0	22.48	22.38	22.31	21.5±1.0
		12	6	22.49	22.22	22.47	
		12	13	22.38	22.3	22.44	
		25	0	22.08	22.15	22.05	21.5±1.0
	16QAM	1	0	21.97	21.71	21.91	21.0±1.0
		1	13	21.71	21.98	21.74	
		1	24	21.89	21.86	21.76	
		12	0	21.59	21.51	21.65	21.0±1.0
		12	6	21.47	21.46	21.41	
		12	13	21.42	21.61	21.61	
		25	0	21.25	21.22	21.3	20.5±1.0
Bandwidth	Modulation	RB size	RB offset	Channel/Frequency			Tune up
10MHz	QPSK	1	0	22.79	22.71	22.76	22.0±1.0
		1	25	22.89	22.86	22.71	
		1	49	22.88	22.84	22.84	
		25	0	22.22	22.21	22.28	21.5±1.0
		25	13	22.21	22.34	22.25	
		25	25	22.38	22.34	22.33	
		50	0	22.13	22.1	22.14	21.5±1.0
	16QAM	1	0	21.86	21.83	21.78	21.0±1.0
		1	25	21.76	21.94	21.8	
		1	49	21.74	21.91	21.93	
		25	0	21.63	21.47	21.41	21.0±1.0
		25	13	21.4	21.63	21.63	
		25	25	21.51	21.41	21.49	
		50	0	21.24	21.23	21.23	20.5±1.0



LTE FDD Band 26				Conducted Power(dBm)			
Bandwidth	Modulation	RB size	RB offset	Channel/Frequency			Tune up
				26765/821.5	26865/831.52	26965/841.5	
15MHz	QPSK	1	0	22.95	22.96	22.92	22.0±1.0
		1	38	22.9	22.67	22.88	
		1	74	22.6	22.79	22.9	
		36	0	22.29	22.5	22.48	21.5±1.0
		36	18	22.24	22.3	22.41	
		36	39	22.31	22.4	22.49	
		75	0	22.15	22.15	22.15	21.5±1.0
	16QAM	1	0	21.86	21.97	21.76	21.0±1.0
		1	38	21.71	21.88	21.74	
		1	74	21.7	21.91	21.91	
		36	0	21.58	21.45	21.44	21.0±1.0
		36	18	21.47	21.65	21.61	
		36	39	21.45	21.56	21.51	
		75	0	21.3	21.22	21.26	20.5±1.0

6. LTE Band 66 Conducted Power Test Verdict:

LTE FDD Band 66				Conducted Power(dBm)			
Bandwidth	Modulation	RB size	RB offset	Channel/Frequency			Tune up
				131979/1710.7	132322/1745	132665/1779.3	
1.4MHz	QPSK	1	0	21.66	21.67	21.57	21.0±1.0
		1	3	21.63	21.55	21.59	
		1	5	21.42	21.41	21.5	
		3	0	21.21	21.13	21.28	20.5±1.0
		3	2	21.05	21.26	21.13	
		3	3	21.27	21.28	21.13	
	6	0	20.91	20.98	20.97	20.0±1.0	
	16QAM	1	0	20.79	20.79	20.73	20.0±1.0
		1	3	20.8	20.85	20.65	
		1	5	20.7	20.58	20.55	
		3	0	20.35	20.29	20.29	19.5±1.0
		3	2	20.23	20.28	20.37	
		3	3	20.24	20.26	20.38	
		6	0	20.07	20.06	20.11	19.5±1.0
Bandwidth	Modulation	RB size	RB offset	Channel/Frequency			Tune up
				131987/1711.5	12322/1745	132657/1778.5	
3MHz	QPSK	1	0	21.63	21.7	21.5	21.0±1.0
		1	7	21.67	21.4	21.51	
		1	14	21.6	21.62	21.51	
		8	0	21.25	21.25	21.31	20.5±1.0
		8	4	21.1	21.25	21.26	
		8	7	21.26	21.27	21.25	
		15	0	20.94	20.93	20.99	20.0±1.0
	16QAM	1	0	20.77	20.83	20.67	20.0±1.0
		1	7	20.7	20.79	20.67	
		1	14	20.57	20.76	20.59	
		8	0	20.24	20.42	20.25	19.5±1.0
		8	4	20.5	20.32	20.2	
		8	7	20.34	20.4	20.26	
		15	0	20.11	20.11	20.11	19.5±1.0



LTE FDD Band 66				Conducted Power(dBm)			
Bandwidth	Modulation	RB size	RB offset	Channel/Frequency			Tune up
				131997/1712.5	132322/1745	132647/1777.5	
5MHz	QPSK	1	0	21.68	21.48	21.41	21.0±1.0
		1	13	21.55	21.69	21.48	
		1	24	21.5	21.42	21.56	
		12	0	21.11	21.11	21.09	20.5±1.0
		12	6	21.28	21.34	21.31	
		12	13	21.34	21.19	21.22	
	25	0	20.91	20.9	20.98	20.0±1.0	
	16QAM	1	0	20.66	20.55	20.66	20.0±1.0
		1	13	20.56	20.65	20.57	
		1	24	20.64	20.67	20.82	
		12	0	20.26	20.47	20.34	19.5±1.0
		12	6	20.49	20.26	20.34	
		12	13	20.3	20.42	20.38	
		25	0	20.11	20.12	20.12	19.5±1.0
Bandwidth	Modulation	RB size	RB offset	Channel/Frequency			Tune up
10MHz	QPSK	1	0	21.53	21.57	21.47	21.0±1.0
		1	25	21.69	21.5	21.68	
		1	49	21.5	21.66	21.42	
		25	0	21.24	21.3	21.2	20.5±1.0
		25	13	21.26	21.32	21.14	
		25	25	21.28	21.33	21.18	
	50	0	20.98	20.9	21	20.0±1.0	
	16QAM	1	0	20.63	20.62	20.59	20.0±1.0
		1	25	20.76	20.6	20.82	
		1	49	20.62	20.57	20.77	
		25	0	20.2	20.42	20.42	19.5±1.0
		25	13	20.5	20.47	20.49	
		25	25	20.29	20.21	20.39	
		50	0	20.11	20.14	20.13	19.5±1.0
Bandwidth	Modulation	RB size	RB offset	132022/1715	132322/1745	132622/1775	Tune up



LTE FDD Band 66				Conducted Power(dBm)			
Bandwidth	Modulation	RB size	RB offset	Channel/Frequency			Tune up
				132047/1717.5	132322/1745	132597/1772.5	
15MHz	QPSK	1	0	21.56	21.42	21.58	21.0±1.0
		1	38	21.52	21.42	21.4	
		1	74	21.46	21.58	21.45	
		36	0	21.16	21.08	21.21	20.5±1.0
		36	18	21.25	21.21	21.26	
		36	39	21.29	21.21	21.33	
		75	0	20.93	20.91	20.98	20.0±1.0
	16QAM	1	0	20.77	20.82	20.74	20.0±1.0
		1	38	20.67	20.75	20.55	
		1	74	20.85	20.68	20.83	
		36	0	20.31	20.3	20.43	19.5±1.0
		36	18	20.34	20.33	20.35	
		36	39	20.42	20.34	20.45	
		75	0	20.15	20.14	20.1	19.5±1.0
Bandwidth	Modulation	RB size	RB offset	Channel/Frequency			Tune up
20MHz	QPSK	1	0	21.68	21.73	21.6	21.0±1.0
		1	50	21.69	21.63	21.55	
		1	99	21.66	21.69	21.66	
		50	0	21.08	21.27	21.06	20.5±1.0
		50	25	21.12	21.11	21.18	
		50	50	21.19	21.13	21.22	
		100	0	20.9	20.93	20.97	20.0±1.0
	16QAM	1	0	20.66	20.71	20.74	20.0±1.0
		1	50	20.64	20.79	20.72	
		1	99	20.73	20.71	20.76	
		50	0	20.31	20.45	20.26	19.5±1.0
		50	25	20.24	20.43	20.45	
		50	50	20.49	20.35	20.47	
		100	0	20.09	20.15	20.14	19.5±1.0

7.4 WIFI Conducted Power

WLAN 2.4GHz Band Conducted Power

Channel/Freq.(MHz)	Maximum Conducted Out Power (dBm)		
	802.11b	802.11g	802.11n(HT20)
1(2412)	16.78	14.41	11.39
6(2437)	17.53	15.11	12.10
11(2462)	16.22	14.91	11.58
Channel/Freq.(MHz)	Maximum Conducted Out Power (dBm)		
	802.11n(HT40)		
3(2422)	11.48		
6(2437)	11.79		
9(2452)	11.53		

WLAN 5GHz Band Conducted Power

U-NII-1 AVGSA Output Power

Mode	Test Frequency (MHz)	Max Conducted Output Power (dBm)
802.11n (20MHz)	5180	11.38
802.11n (20MHz)	5220	11.32
802.11n (20MHz)	5240	11.77
802.11n (40MHz)	5190	11.15
802.11n (40MHz)	5230	11.42
802.11a (20MHz)	5180	12.68
802.11a (20MHz)	5220	12.45
802.11a (20MHz)	5240	11.86
802.11ac (20MHz)	5180	11.45
802.11ac (20MHz)	5220	12.01
802.11ac (20MHz)	5240	11.51
802.11ac (40MHz)	5190	11.68
802.11ac (40MHz)	5230	10.95
802.11ac (80MHz)	5210	11.39



U-NII-3 AVGSA Output Power

Mode	Test Frequency (MHz)	Max Conducted Output Power (dBm)
802.11a (20MHz)	5745	12.04
802.11a (20MHz)	5785	12.03
802.11a (20MHz)	5825	12.07
802.11n (20MHz)	5745	11.59
802.11n (20MHz)	5785	12.13
802.11n (20MHz)	5825	11.62
802.11n (40MHz)	5755	11.83
802.11n (40MHz)	5795	11.99
802.11ac (20MHz)	5745	11.90
802.11ac (20MHz)	5785	11.54
802.11ac (20MHz)	5825	11.12
802.11ac (40MHz)	5755	11.96
802.11ac (40MHz)	5795	11.91
802.11ac (80MHz)	5775	11.79

7.5 Bluetooth Output Power

Channel	Frequency (MHz)	BT3.0 Output Power(dBm)		
		GFSK	$\pi/4$ -DQPSK	8-DPSK
CH 0	2402	6.14	7.54	7.88
CH 39	2441	6.35	7.68	7.30
CH 78	2480	7.49	7.55	7.83
Channel	Frequency (MHz)	BT4.0 Output Power(dBm)		
		GFSK		
CH 0	2402	7.13		
CH 20	2442	7.81		
CH 39	2480	7.27		

Note:

1. Per KDB248227 D01 v02r02, choose the highest output power channel to test SAR and determine further SAR exclusion
2. For each frequency band, testing at higher data rates and higher order modulations is not required when the maximum average output power for each of these configurations is less than 1/4dB higher than those measured at lowest data rate
3. Per KDB248227 D01 v02r02, 802.11g /11n-HT20/11n-HT40 is not required. . When the highest reported SAR for DSSS is adjusted by the ratio of OFDM to DSSS specified maximum output power and the adjusted SAR is $\leq 1.2\text{W/Kg}$. Thus the SAR can be excluded.

8. SAR test Exclusion and estimate SAR calculation:

Note:

1. Per KDB 447498 D01v06, the 1-g and 10-g SAR test exclusion thresholds for 100MHz to 6GHz at test separation distances $\leq 50\text{mm}$ are determined by: $[(\text{max. power of channel, including tune-up tolerance, mW}) / (\text{min. test separation distance, mm})] \cdot [\sqrt{f} \text{ (GHz)}] \leq 3.0$ for 1-g SAR and ≤ 7.5 for 10-g extremity SAR
 - (1) f(GHz) is the RF channel transmit frequency in GHz
 - (2) Power and distance are round to the nearest mW and mm before calculation
 - (3) The result is rounded to one decimal place for comparison
 - (4) If the test separation distance(antenna-user) is $< 5\text{mm}$, 5mm is used for excluded SAR calculation
 - (5)

BT3.0 Max Power (dBm)	mW	Test Distance (mm)	Frequency(GHz)	Exclusion Thresholds
8.0	6.310	5	2.45	1.975

Per KDB 447498 D01v06 exclusion thresholds is $1.975 < 3$, RF exposure evaluation is not required.

BT estimated SAR value = $\text{Exclusion Thresholds} / 7.5 = 1.975 / 7.5 = \mathbf{0.263\text{W/Kg}}$

BT3.0 Max Power (dBm)	mW	Test Distance (mm)	Frequency(GHz)	Exclusion Thresholds
8.0	6.310	10	2.45	0.988

Per KDB 447498 D01v06 exclusion thresholds is $0.988 < 3$, RF exposure evaluation is not required.

BT estimated SAR value = $\text{Exclusion Thresholds} / 7.5 = 0.988 / 7.5 = \mathbf{0.132\text{W/Kg}}$

BT4.0 Max Power (dBm)	mW	Test Distance (mm)	Frequency(GHz)	Exclusion Thresholds
8.0	6.310	5	2.45	1.975

Per KDB 447498 D01v06 exclusion thresholds is $1.975 < 3$, RF exposure evaluation is not required.

BT estimated SAR value = $\text{Exclusion Thresholds} / 7.5 = 1.975 / 7.5 = \mathbf{0.263\text{W/Kg}}$

BT4.0 Max Power (dBm)	mW	Test Distance (mm)	Frequency(GHz)	Exclusion Thresholds
8.0	6.310	10	2.45	0.988

Per KDB 447498 D01v06 exclusion thresholds is $0.988 < 3$, RF exposure evaluation is not required.

BT estimated SAR value = $\text{Exclusion Thresholds} / 7.5 = 0.988 / 7.5 = \mathbf{0.132\text{W/Kg}}$

The estimated SAR value is used for simultaneous transmission analysis.

Antenna Location:





Antenna-to-User (Edge Side) distance (mm):

Antenna	Front	Back	Edge A	Edge B	Edge C	Edge D
WWAN Main Antenna	6	2	150	11	2	5
WIFI/BT	6	2	2	13	154	44

Note: The diagonal distance of the overall section is 15.5cm.

The Body SAR measurement positions of each band are as below:

Antenna	Front	Back	Edge A	Edge B	Edge C	Edge D
WWAN Antenna Body-worn	Yes	Yes	No	No	No	No
WWAN Antenna hotspot	Yes	Yes	No	Yes	Yes	Yes
WIFI Antenna Body-worn	Yes	Yes	No	No	No	No
WIFI Antenna hotspot	Yes	Yes	Yes	Yes	No	No

Note: According to KDB 941225 D06 v02r01, when antenna-to-edge>2.5cm, SAR is not required.

9. Scaling Factor calculation

Operation Mode	Channel /Frequency	Output Power(dBm)	Tune up Power in tolerance (dBm)	Max. Tune up(dBm)	Scaling Factor
GSM850	128/824.2	32.25	31.5 ± 1.0	32.50	1.059
	190/836.6	32.28	31.5 ± 1.0	32.50	1.052
	251/848.8	32.19	31.5 ± 1.0	32.50	1.074
GPRS850 (GPRS 4Tx)	128/824.2	27.61	27.0 ± 1.0	28.00	1.094
	190/836.6	27.76	27.0 ± 1.0	28.00	1.057
	251/848.8	27.70	27.0 ± 1.0	28.00	1.072
GSM1900	512/1850.2	28.89	28.0 ± 1.0	29.00	1.026
	661/1880.0	28.97	28.0 ± 1.0	29.00	1.007
	810/1909.8	28.67	28.0 ± 1.0	29.00	1.079
GPRS1900 (GPRS 4Tx)	512/1850.2	24.14	23.5 ± 1.0	24.50	1.086
	661/1880.0	24.30	23.5 ± 1.0	24.50	1.047
	810/1909.8	24.02	23.5 ± 1.0	24.50	1.117
WCDMA850	4132/826.4	23.32	22.5 ± 1.0	23.50	1.042
	4183/836.6	23.36	22.5 ± 1.0	23.50	1.033
	4233/846.6	23.11	22.5 ± 1.0	23.50	1.094
WCDMA1900	9262/1852.4	22.46	22.0 ± 1.0	23.00	1.132
	9400/1880.0	22.58	22.0 ± 1.0	23.00	1.102
	9538/1907.6	22.37	22.0 ± 1.0	23.00	1.156
WCDMA1700	1312/1712.4	22.94	22.0 ± 1.0	23.00	1.014
	1413/1732.6	22.69	22.0 ± 1.0	23.00	1.074
	1513/1752.6	22.88	22.0 ± 1.0	23.00	1.028
LTE B2 20MHz 1RB#0	18700/1860	21.38	21.0 ± 1.0	22.00	1.153
	18900/1880	21.56	21.0 ± 1.0	22.00	1.107
	19100/1900	21.46	21.0 ± 1.0	22.00	1.132
LTE B2 20MHz 50RB#50	18700/1860	20.95	20.5 ± 1.0	21.50	1.135
	18900/1880	21.15	20.5 ± 1.0	21.50	1.084
	19100/1900	21.09	20.5 ± 1.0	21.50	1.099
LTE B4 20MHz 1RB#0	20050/1720	22.22	21.5 ± 1.0	22.50	1.067
	20175/1732.5	22.23	21.5 ± 1.0	22.50	1.064
	20300/1745	22.19	21.5 ± 1.0	22.50	1.074
LTE B4 20MHz 50RB#0	20050/1720	21.70	21.0 ± 1.0	22.00	1.072
	20175/1732.5	21.84	21.0 ± 1.0	22.00	1.038
	20300/1745	21.60	21.0 ± 1.0	22.00	1.096
LTE B5 10MHz 1RB#0	20450/829	23.05	22.5 ± 1.0	23.50	1.109
	20525/836.5	23.16	22.5 ± 1.0	23.50	1.081
	20600/844	23.13	22.5 ± 1.0	23.50	1.089



LTE B5 10MHz 25RB#0	20450/829	22.70	22.0 ± 1.0	23.00	1.072
	20525/836.5	22.74	22.0 ± 1.0	23.00	1.062
	20600/844	22.52	22.0 ± 1.0	23.00	1.117
LTE B7 20MHz 1RB#0	20850/2510	21.44	20.5 ± 1.0	21.50	1.014
	21100/2535	21.47	20.5 ± 1.0	21.50	1.007
	21350/2560	21.44	20.5 ± 1.0	21.50	1.014
LTE B7 20MHz 50RB#0	20850/2510	20.87	20.0 ± 1.0	21.00	1.030
	21100/2535	20.99	20.0 ± 1.0	21.00	1.002
	21350/2560	20.87	20.0 ± 1.0	21.00	1.030
LTE B26 15MHz 1RB#0	26765/821.5	22.95	22.0 ± 1.0	23.00	1.012
	26865/831.5	22.96	22.0 ± 1.0	23.00	1.009
	26965/841.5	22.92	22.0 ± 1.0	23.00	1.019
LTE B26 15MHz 36RB#0	26765/821.5	22.29	21.5 ± 1.0	22.50	1.050
	26865/831.5	22.50	21.5 ± 1.0	22.50	1.000
	26965/841.5	22.48	21.5 ± 1.0	22.50	1.005
LTE B66 20MHz 1RB#0	132072/1720	21.68	21.0 ± 1.0	22.00	1.076
	132322/1745	21.73	21.0 ± 1.0	22.00	1.064
	132572/1770	21.60	21.0 ± 1.0	22.00	1.096
LTE B66 20MHz 50RB#0	132072/1720	21.08	20.5 ± 1.0	21.50	1.102
	132322/1745	21.27	20.5 ± 1.0	21.50	1.054
	132572/1770	21.06	20.5 ± 1.0	21.50	1.107
WIFI 2.4G 802.11b	1/2412	16.78	16.6 ± 1.0	17.60	1.208
	6/2437	17.53	16.6 ± 1.0	17.60	1.016
	11/2462	16.22	16.6 ± 1.0	17.60	1.374
WIFI 5G BAND I	36/5180	12.68	12.0 ± 1.0	13.00	1.076
WIFI5G BANDIV	157/5785	12.13	11.5 ± 1.0	12.50	1.089

Note: for LTE power tolerance, only QPSK modulation mode was provide here.

10. Test Results

Results overview of GSM850

Test Position of Head	Channel /Frequency	Mode	SAR Value (W/kg)1-g	Power drift(%)	Scaled Factor	Scaled SAR (W/Kg)1-g	SAR Plot.
Right Cheek	190/836.6	Voice	0.180	-3.32	1.052	0.189	Yes
Right Tilt 15°	190/836.6	Voice	0.125	-4.01	1.052	0.131	/
Left Cheek	190/836.6	Voice	0.152	-2.40	1.052	0.160	/
Left Tilt 15°	190/836.6	Voice	0.117	-2.14	1.052	0.123	/
Body-worn(15mm)	Channel /Frequency	Mode	SAR Value (W/kg)1-g	Power drift(%)	Scaled Factor	Scaled SAR (W/Kg)1-g	SAR Plot.
Back Upward	190/836.6	GPRS 4Tx	0.351	-3.35	1.057	0.371	Yes
Face Upward	190/836.6	GPRS 4Tx	0.177	-1.22	1.057	0.187	/
Hotspot On(10mm)	Channel /Frequency	Mode	SAR Value (W/kg)1-g	Power drift(%)	Scaled Factor	Scaled SAR (W/Kg)1-g	SAR Plot.
Back Upward	190/836.6	GPRS 4Tx	0.459	-4.05	1.057	0.485	Yes
Face Upward	190/836.6	GPRS 4Tx	0.248	-2.18	1.057	0.262	/
Edge B	190/836.6	GPRS 4Tx	0.371	-0.99	1.057	0.392	/
Edge C	190/836.6	GPRS 4Tx	0.196	-3.47	1.057	0.207	/
Edge D	190/836.6	GPRS 4Tx	0.191	-2.59	1.057	0.202	/

Results overview of GSM1900

Test Position of Head	Channel /Frequency	Mode	SAR Value (W/kg)1-g	Power drift(%)	Scaled Factor	Scaled SAR (W/Kg)1-g	SAR Plot.
Left Cheek	661/1880.0	Voice	0.079	2.40	1.007	0.080	Yes
Left Tilt 15°	661/1880.0	Voice	0.052	1.67	1.007	0.052	/
Right Cheek	661/1880.0	Voice	0.030	2.02	1.007	0.030	/
Right Tilt 15°	661/1880.0	Voice	0.022	-2.77	1.007	0.022	/
Body-worn(15mm)	Channel /Frequency	Mode	SAR Value (W/kg)1-g	Power drift(%)	Scaled Factor	Scaled SAR (W/Kg)1-g	SAR Plot.
Back Upward	661/1880.0	GPRS 4Tx	0.226	-2.84	1.047	0.237	Yes
Face Upward	661/1880.0	GPRS 4Tx	0.106	-1.51	1.047	0.111	/
Hotspot On(10mm)	Channel /Frequency	Mode	SAR Value (W/kg)1-g	Power drift(%)	Scaled Factor	Scaled SAR (W/Kg)1-g	SAR Plot.
Back Upward	661/1880.0	GPRS 4Tx	0.476	-4.35	1.047	0.498	/
Face Upward	661/1880.0	GPRS 4Tx	0.221	-2.67	1.047	0.231	/
Edge B	661/1880.0	GPRS 4Tx	0.032	1.40	1.047	0.034	/
Edge C	661/1880.0	GPRS 4Tx	0.603	-1.60	1.047	0.631	Yes
Edge D	661/1880.0	GPRS 4Tx	0.054	2.78	1.047	0.057	/

Results overview of WCDMA850

Test Position of Head	Channel /Frequency	Mode	SAR Value (W/kg)1-g	Power drift(%)	Scaled Factor	Scaled SAR (W/Kg)1-g	SAR Plot.
Left Cheek	4183/836.6	RMC	0.176	-4.63	1.033	0.182	/
Left Tilt 15°	4183/836.6	RMC	0.126	-1.10	1.033	0.130	/
Right Cheek	4183/836.6	RMC	0.205	-2.67	1.033	0.212	Yes
Right Tilt 15°	4183/836.6	RMC	0.106	-2.89	1.033	0.109	/
Body-worn(15mm)	Channel /Frequency	Mode	SAR Value (W/kg)1-g	Power drift(%)	Scaled Factor	Scaled SAR (W/Kg)1-g	SAR Plot.
Back Upward	4183/836.6	RMC	0.198	-4.57	1.033	0.204	Yes
Face Upward	4183/836.6	RMC	0.084	-1.65	1.033	0.087	/
Hotspot On(10mm)	Channel /Frequency	Mode	SAR Value (W/kg)1-g	Power drift(%)	Scaled Factor	Scaled SAR (W/Kg)1-g	SAR Plot.
Back Upward	4183/836.6	RMC	0.275	1.46	1.033	0.284	Yes
Face Upward	4183/836.6	RMC	0.120	1.30	1.033	0.124	/
Edge B	4183/836.6	RMC	0.166	3.34	1.033	0.171	/
Edge C	4183/836.6	RMC	0.092	-4.80	1.033	0.095	/
Edge D	4183/836.6	RMC	0.053	1.03	1.033	0.055	/

Results overview of WCDMA1700

Test Position of Head	Channel /Frequency	Mode	SAR Value (W/kg)1-g	Power drift(%)	Scaled Factor	Scaled SAR (W/Kg)1-g	SAR Plot.
Left Cheek	1312/1712.4	RMC	0.105	2.03	1.014	0.106	Yes
Left Tilt 15°	1312/1712.4	RMC	0.038	1.36	1.014	0.039	/
Right Cheek	1312/1712.4	RMC	0.028	-4.02	1.014	0.028	/
Right Tilt 15°	1312/1712.4	RMC	0.016	-2.44	1.014	0.016	/
Body-worn(15mm)	Channel /Frequency	Mode	SAR Value (W/kg)1-g	Power drift(%)	Scaled Factor	Scaled SAR (W/Kg)1-g	SAR Plot.
Back Upward	1312/1712.4	RMC	0.158	-4.66	1.014	0.160	Yes
Face Upward	1312/1712.4	RMC	0.107	-1.39	1.014	0.108	/
Hotspot On(10mm)	Channel /Frequency	Mode	SAR Value (W/kg)1-g	Power drift(%)	Scaled Factor	Scaled SAR (W/Kg)1-g	SAR Plot.
Back Upward	1312/1712.4	RMC	0.365	-2.96	1.014	0.370	/
Face Upward	1312/1712.4	RMC	0.257	-4.05	1.014	0.261	/
Edge B	1312/1712.4	RMC	0.054	2.73	1.014	0.055	/
Edge C	1312/1712.4	RMC	0.399	-1.67	1.014	0.405	Yes
Edge D	1312/1712.4	RMC	0.057	1.29	1.014	0.058	/

Results overview of WCDMA1900

Test Position of Head	Channel /Frequency	Mode	SAR Value (W/kg)1-g	Power drift(%)	Scaled Factor	Scaled SAR (W/Kg)1-g	SAR Plot.
Left Cheek	9400/1880.0	RMC	0.107	1.03	1.102	0.118	Yes
Left Tilt 15°	9400/1880.0	RMC	0.035	1.01	1.102	0.039	/
Right Cheek	9400/1880.0	RMC	0.041	-4.78	1.102	0.045	/
Right Tilt 15°	9400/1880.0	RMC	0.023	-2.64	1.102	0.025	/
Body-worn(15mm)	Channel /Frequency	Mode	SAR Value (W/kg)1-g	Power drift(%)	Scaled Factor	Scaled SAR (W/Kg)1-g	SAR Plot.
Back Upward	9400/1880.0	RMC	0.321	-1.86	1.102	0.354	Yes
Face Upward	9400/1880.0	RMC	0.120	-3.48	1.102	0.132	/
Hotspot On(10mm)	Channel /Frequency	Mode	SAR Value (W/kg)1-g	Power drift(%)	Scaled Factor	Scaled SAR (W/Kg)1-g	SAR Plot.
Back Upward	9400/1880.0	RMC	0.636	-3.58	1.102	0.701	/
Face Upward	9400/1880.0	RMC	0.350	-3.70	1.102	0.386	/
Edge B	9400/1880.0	RMC	0.045	4.24	1.102	0.050	/
Edge C	9262/1852.4	RMC	0.800	-3.47	1.132	0.906	/
Edge C	9400/1880.0	RMC	0.825	-1.76	1.102	0.909	Yes
Edge C	9538/1907.6	RMC	0.783	-2.81	1.156	0.905	/
Edge C Repeat	9262/1852.4	RMC	0.751	1.69	1.132	0.850	/
Edge C Repeat	9400/1880.0	RMC	0.778	0.52	1.102	0.857	/
Edge C Repeat	9538/1907.6	RMC	0.736	-0.77	1.156	0.851	/
Edge D	9400/1880.0	RMC	0.082	4.66	1.102	0.090	/



Results overview of FDD LTE Band 2, QPSK, 20MHz Bandwidth

Test Position of Head	Channel /Frequency	Mode	SAR Value (W/kg)1-g	Power drift(%)	Scaled Factor	Scaled SAR (W/Kg)1-g	SAR Plot.
1RB#0							
Left Cheek	18900/1880	Data	0.096	0.210	1.107	0.106	Yes
Left Tilt 15°	18900/1880	Data	0.032	1.010	1.107	0.035	/
Right Cheek	18900/1880	Data	0.030	-3.710	1.107	0.033	/
Right Tilt 15°	18900/1880	Data	0.018	-2.660	1.107	0.020	/
50%RB#0							
Left Cheek	18900/1880	Data	0.085	-3.990	1.084	0.092	/
Left Tilt 15°	18900/1880	Data	0.026	4.520	1.084	0.028	/
Right Cheek	18900/1880	Data	0.023	-3.710	1.084	0.025	/
Right Tilt 15°	18900/1880	Data	0.014	-2.050	1.084	0.015	/
Body-worn(15mm)	Channel /Frequency	Mode	SAR Value (W/kg)1-g	Power drift(%)	Scaled Factor	Scaled SAR (W/Kg)1-g	SAR Plot.
1RB#0							
Back Upward	18900/1880	Data	0.354	-2.800	1.107	0.392	Yes
Face Upward	18900/1880	Data	0.167	-1.540	1.107	0.185	/
50%RB#0							
Back Upward	18900/1880	Data	0.321	-3.200	1.084	0.348	/
Face Upward	18900/1880	Data	0.132	-4.970	1.084	0.143	/
Hotspot On(10mm)	Channel /Frequency	Mode	SAR Value (W/kg)1-g	Power drift(%)	Scaled Factor	Scaled SAR (W/Kg)1-g	SAR Plot.
1RB#0							
Back Upward	18900/1880	Data	0.655	-2.240	1.107	0.725	/
Face Upward	18900/1880	Data	0.343	-4.030	1.107	0.380	/
Edge B	18900/1880	Data	0.045	1.070	1.107	0.050	/
Edge C	18700/1860	Data	0.729	-3.540	1.153	0.841	/
Edge C	18900/1880	Data	0.786	-1.490	1.107	0.870	Yes
Edge C	19100/1900	Data	0.754	-1.870	1.132	0.854	/
Edge D	18900/1880	Data	0.077	1.480	1.107	0.085	/
50%RB#0							
Back Upward	18900/1880	Data	0.614	-1.540	1.084	0.666	/
Face Upward	18900/1880	Data	0.314	-2.780	1.084	0.340	/
Edge B	18900/1880	Data	0.040	-3.330	1.084	0.043	/
Edge C	18900/1880	Data	0.735	2.160	1.084	0.797	/
Edge D	18900/1880	Data	0.070	-4.510	1.084	0.076	/



Results overview of FDD LTE Band 4, QPSK, 20MHz Bandwidth

Test Position of Head	Channel /Frequency	Mode	SAR Value (W/kg)1-g	Power drift(%)	Scaled Factor	Scaled SAR (W/Kg)1-g	SAR Plot.
1RB#0							
Left Cheek	20175/1732.5	Data	0.083	2.200	1.064	0.088	Yes
Left Tilt 15°	20175/1732.5	Data	0.039	1.120	1.064	0.042	/
Right Cheek	20175/1732.5	Data	0.035	-4.040	1.064	0.037	/
Right Tilt 15°	20175/1732.5	Data	0.027	-1.660	1.064	0.029	/
50%RB#0							
Left Cheek	20175/1732.5	Data	0.067	-4.510	1.038	0.070	/
Left Tilt 15°	20175/1732.5	Data	0.030	-3.580	1.038	0.031	/
Right Cheek	20175/1732.5	Data	0.025	2.670	1.038	0.026	/
Right Tilt 15°	20175/1732.5	Data	0.021	1.540	1.038	0.022	/
Body-worn(15mm)	Channel /Frequency	Mode	SAR Value (W/kg)1-g	Power drift(%)	Scaled Factor	Scaled SAR (W/Kg)1-g	SAR Plot.
1RB#0							
Back Upward	20175/1732.5	Data	0.143	-4.390	1.064	0.152	Yes
Face Upward	20175/1732.5	Data	0.091	-4.200	1.064	0.097	/
50%RB#0							
Back Upward	20175/1732.5	Data	0.121	-3.030	1.038	0.126	/
Face Upward	20175/1732.5	Data	0.073	-2.570	1.038	0.076	/
Hotspot On(10mm)	Channel /Frequency	Mode	SAR Value (W/kg)1-g	Power drift(%)	Scaled Factor	Scaled SAR (W/Kg)1-g	SAR Plot.
1RB#0							
Back Upward	20175/1732.5	Data	0.335	-4.520	1.064	0.356	/
Face Upward	20175/1732.5	Data	0.217	-2.180	1.064	0.231	/
Edge B	20175/1732.5	Data	0.056	4.400	1.064	0.060	/
Edge C	20175/1732.5	Data	0.352	-1.790	1.064	0.375	Yes
Edge D	20175/1732.5	Data	0.060	2.840	1.064	0.064	/
50%RB#0							
Back Upward	20175/1732.5	Data	0.300	-1.570	1.038	0.311	/
Face Upward	20175/1732.5	Data	0.195	-2.000	1.038	0.202	/
Edge B	20175/1732.5	Data	0.052	-1.070	1.038	0.054	/
Edge C	20175/1732.5	Data	0.323	-2.580	1.038	0.335	/
Edge D	20175/1732.5	Data	0.055	-3.820	1.038	0.057	/



Results overview of FDD LTE Band 5, QPSK, 20MHz Bandwidth

Test Position of Head	Channel /Frequency	Mode	SAR Value (W/kg)1-g	Power drift(%)	Scaled Factor	Scaled SAR (W/Kg)1-g	SAR Plot.
1RB#0							
Left Cheek	20525/836.5	Data	0.200	-1.780	1.081	0.216	/
Left Tilt 15°	20525/836.5	Data	0.157	3.040	1.081	0.170	/
Right Cheek	20525/836.5	Data	0.228	-3.820	1.081	0.247	Yes
Right Tilt 15°	20525/836.5	Data	0.151	-4.460	1.081	0.163	/
50%RB#0							
Left Cheek	20525/836.5	Data	0.178	-3.640	1.062	0.189	/
Left Tilt 15°	20525/836.5	Data	0.132	-2.820	1.062	0.140	/
Right Cheek	20525/836.5	Data	0.201	1.620	1.062	0.213	/
Right Tilt 15°	20525/836.5	Data	0.134	-2.040	1.062	0.142	/
Body-worn(15mm)	Channel /Frequency	Mode	SAR Value (W/kg)1-g	Power drift(%)	Scaled Factor	Scaled SAR (W/Kg)1-g	SAR Plot.
1RB#0							
Back Upward	20525/836.5	Data	0.262	1.460	1.081	0.283	Yes
Face Upward	20525/836.5	Data	0.141	-2.050	1.081	0.152	/
50%RB#0							
Back Upward	20525/836.5	Data	0.236	2.340	1.062	0.251	/
Face Upward	20525/836.5	Data	0.114	1.210	1.062	0.121	/
Hotspot On(10mm)	Channel /Frequency	Mode	SAR Value (W/kg)1-g	Power drift(%)	Scaled Factor	Scaled SAR (W/Kg)1-g	SAR Plot.
1RB#0							
Back Upward	20525/836.5	Data	0.318	-3.130	1.081	0.344	Yes
Face Upward	20525/836.5	Data	0.189	-0.150	1.081	0.204	/
Edge B	20525/836.5	Data	0.288	-0.400	1.081	0.311	/
Edge C	20525/836.5	Data	0.141	-2.830	1.081	0.152	/
Edge D	20525/836.5	Data	0.132	1.540	1.081	0.143	/
50%RB#0							
Back Upward	20525/836.5	Data	0.303	0.340	1.062	0.322	/
Face Upward	20525/836.5	Data	0.182	-1.300	1.062	0.193	/
Edge B	20525/836.5	Data	0.280	2.470	1.062	0.297	/
Edge C	20525/836.5	Data	0.135	-1.650	1.062	0.143	/
Edge D	20525/836.5	Data	0.124	2.440	1.062	0.132	/



Results overview of FDD LTE Band 7, QPSK, 20MHz Bandwidth

Test Position of Head	Channel /Frequency	Mode	SAR Value (W/kg)1-g	Power drift(%)	Scaled Factor	Scaled SAR (W/Kg)1-g	SAR Plot.
1RB#0							
Left Cheek	21100/2535	Data	0.155	1.400	1.007	0.156	Yes
Left Tilt 15°	21100/2535	Data	0.111	-3.550	1.007	0.112	/
Right Cheek	21100/2535	Data	0.090	-0.540	1.007	0.091	/
Right Tilt 15°	21100/2535	Data	0.074	-3.470	1.007	0.075	/
50%RB#0							
Left Cheek	21100/2535	Data	0.138	-2.570	1.002	0.138	/
Left Tilt 15°	21100/2535	Data	0.100	-1.230	1.002	0.100	/
Right Cheek	21100/2535	Data	0.072	-3.470	1.002	0.072	/
Right Tilt 15°	21100/2535	Data	0.055	-2.690	1.002	0.055	/
Body-worn(15mm)	Channel /Frequency	Mode	SAR Value (W/kg)1-g	Power drift(%)	Scaled Factor	Scaled SAR (W/Kg)1-g	SAR Plot.
1RB#0							
Back Upward	20850/2510	Data	1.011	-2.970	1.014	1.025	/
Back Upward	21100/2535	Data	1.040	-4.190	1.007	1.047	Yes
Back Upward	21350/2560	Data	1.009	-2.630	1.014	1.023	/
Back Upward Repeat	20850/2510	Data	0.982	-3.740	1.014	0.996	/
Back Upward Repeat	21100/2535	Data	0.996	-2.500	1.007	1.003	/
Back Upward Repeat	21350/2560	Data	0.977	1.630	1.014	0.991	/
Face Upward	21100/2535	Data	0.174	-3.060	1.007	0.175	/
50%RB#0							
Back Upward	20850/2510	Data	0.940	0.320	1.030	0.968	/
Back Upward	21100/2535	Data	0.967	-2.670	1.002	0.969	/
Back Upward	21350/2560	Data	0.933	-1.210	1.030	0.961	/
Back Upward Repeat	20850/2510	Data	0.908	1.580	1.030	0.935	/
Back Upward Repeat	21100/2535	Data	0.938	-0.340	1.002	0.940	/
Back Upward Repeat	21350/2560	Data	0.900	-4.450	1.030	0.927	/
Face Upward	21100/2535	Data	0.155	-1.200	1.002	0.155	/



Hotspot On(10mm)	Channel /Frequency	Mode	SAR Value (W/kg)1-g	Power drift(%)	Scaled Factor	Scaled SAR (W/Kg)1-g	SAR Plot.
1RB#0							
Back Upward	21100/2535	Data	0.768	-1.920	1.007	0.773	Yes
Face Upward	21100/2535	Data	0.150	-4.420	1.007	0.151	/
Edge B	21100/2535	Data	0.266	3.670	1.007	0.268	/
Edge C	21100/2535	Data	0.455	-1.050	1.007	0.458	/
Edge D	21100/2535	Data	0.275	4.200	1.007	0.277	/
50%RB#0							
Back Upward	21100/2535	Data	0.749	-1.570	1.002	0.751	/
Face Upward	21100/2535	Data	0.121	-2.410	1.002	0.121	/
Edge B	21100/2535	Data	0.243	2.330	1.002	0.244	/
Edge C	21100/2535	Data	0.440	1.280	1.002	0.441	/
Edge D	21100/2535	Data	0.251	-0.970	1.002	0.252	/



Results overview of FDD LTE Band 26, QPSK, 15MHz Bandwidth

Test Position of Head	Channel /Frequency	Mode	SAR Value (W/kg)1-g	Power drift(%)	Scaled Factor	Scaled SAR (W/Kg)1-g	SAR Plot.
1RB#0							
Left Cheek	26865/831.5	Data	0.206	-4.610	1.009	0.208	/
Left Tilt 15°	26865/831.5	Data	0.123	3.080	1.009	0.124	/
Right Cheek	26865/831.5	Data	0.267	-3.540	1.009	0.269	Yes
Right Tilt 15°	26865/831.5	Data	0.176	-3.330	1.009	0.178	/
50%RB#0							
Left Cheek	26865/831.5	Data	0.193	-3.640	1.000	0.193	/
Left Tilt 15°	26865/831.5	Data	0.110	-2.550	1.000	0.110	/
Right Cheek	26865/831.5	Data	0.252	-1.970	1.000	0.252	/
Right Tilt 15°	26865/831.5	Data	0.169	-2.690	1.000	0.169	/
Body-worn(15mm)	Channel /Frequency	Mode	SAR Value (W/kg)1-g	Power drift(%)	Scaled Factor	Scaled SAR (W/Kg)1-g	SAR Plot.
1RB#0							
Back Upward	26865/831.5	Data	0.284	-3.510	1.009	0.287	Yes
Face Upward	26865/831.5	Data	0.130	-1.770	1.009	0.131	/
50%RB#0							
Back Upward	26865/831.5	Data	0.272	-2.210	1.000	0.272	/
Face Upward	26865/831.5	Data	0.111	-1.080	1.000	0.111	/
Hotspot On(10mm)	Channel /Frequency	Mode	SAR Value (W/kg)1-g	Power drift(%)	Scaled Factor	Scaled SAR (W/Kg)1-g	SAR Plot.
1RB#0							
Back Upward	26865/831.5	Data	0.331	0.440	1.009	0.334	Yes
Face Upward	26865/831.5	Data	0.152	1.090	1.009	0.153	/
Edge B	26865/831.5	Data	0.221	0.470	1.009	0.223	/
Edge C	26865/831.5	Data	0.098	-3.340	1.009	0.099	/
Edge D	26865/831.5	Data	0.101	1.730	1.009	0.102	/
50%RB#0							
Back Upward	26865/831.5	Data	0.318	-3.640	1.000	0.318	/
Face Upward	26865/831.5	Data	0.137	-4.210	1.000	0.137	/
Edge B	26865/831.5	Data	0.209	1.390	1.000	0.209	/
Edge C	26865/831.5	Data	0.090	-3.370	1.000	0.090	/
Edge D	26865/831.5	Data	0.094	-1.880	1.000	0.094	/



Results overview of FDD LTE Band 66, QPSK, 20MHz Bandwidth

Test Position of Head	Channel /Frequency	Mode	SAR Value (W/kg)1-g	Power drift(%)	Scaled Factor	Scaled SAR (W/Kg)1-g	SAR Plot.
1RB#0							
Left Cheek	132322/1745	Data	0.189	3.050	1.064	0.201	Yes
Left Tilt 15°	132322/1745	Data	0.022	2.300	1.064	0.023	/
Right Cheek	132322/1745	Data	0.026	-4.610	1.064	0.028	/
Right Tilt 15°	132322/1745	Data	0.019	-1.530	1.064	0.020	/
50%RB#0							
Left Cheek	132322/1745	Data	0.180	2.080	1.054	0.190	/
Left Tilt 15°	132322/1745	Data	0.018	-1.980	1.054	0.019	/
Right Cheek	132322/1745	Data	0.021	3.770	1.054	0.022	/
Right Tilt 15°	132322/1745	Data	0.014	-2.820	1.054	0.015	/
Body-worn(15mm)	Channel /Frequency	Mode	SAR Value (W/kg)1-g	Power drift(%)	Scaled Factor	Scaled SAR (W/Kg)1-g	SAR Plot.
1RB#0							
Back Upward	132322/1745	Data	0.174	-2.000	1.064	0.185	Yes
Face Upward	132322/1745	Data	0.131	-1.970	1.064	0.139	/
50%RB#0							
Back Upward	132322/1745	Data	0.166	2.210	1.054	0.175	/
Face Upward	132322/1745	Data	0.122	3.070	1.054	0.129	/
Hotspot On(10mm)	Channel /Frequency	Mode	SAR Value (W/kg)1-g	Power drift(%)	Scaled Factor	Scaled SAR (W/Kg)1-g	SAR Plot.
1RB#0							
Back Upward	132322/1745	Data	0.366	1.410	1.064	0.389	Yes
Face Upward	132322/1745	Data	0.235	-4.610	1.064	0.250	/
Edge B	132322/1745	Data	0.030	3.500	1.064	0.032	/
Edge C	132322/1745	Data	0.357	-2.620	1.064	0.380	/
Edge D	132322/1745	Data	0.032	1.060	1.064	0.034	/
50%RB#0							
Back Upward	132322/1745	Data	0.359	2.740	1.054	0.379	/
Face Upward	132322/1745	Data	0.227	-1.490	1.054	0.239	/
Edge B	132322/1745	Data	0.023	-3.420	1.054	0.024	/
Edge C	132322/1745	Data	0.350	1.290	1.054	0.369	/
Edge D	132322/1745	Data	0.025	-2.890	1.054	0.026	/

Results overview of WIFI2.4G 802.11b

Test Position of Head	Channel /Frequency	Mode	SAR Value (W/kg)1-g	Power drift(%)	Scaled Factor	Scaled SAR (W/Kg)1-g	SAR Plot.
Left Cheek	6/2437	DSSS	0.034	-1.71	1.016	0.035	Yes
Left Tilt 15°	6/2437	DSSS	0.024	2.41	1.016	0.024	/
Right Cheek	6/2437	DSSS	0.030	2.19	1.016	0.030	/
Right Tilt 15°	6/2437	DSSS	0.019	-2.77	1.016	0.019	/
Body-worn(15mm)	Channel /Frequency	Mode	SAR Value (W/kg)1-g	Power drift(%)	Scaled Factor	Scaled SAR (W/Kg)1-g	SAR Plot.
Back Upward	6/2437	DSSS	0.077	-2.57	1.016	0.078	/
Face Upward	6/2437	DSSS	0.083	-1.92	1.016	0.084	Yes
Hotspot On(10mm)	Channel /Frequency	Mode	SAR Value (W/kg)1-g	Power drift(%)	Scaled Factor	Scaled SAR (W/Kg)1-g	SAR Plot.
Back Upward	6/2437	DSSS	0.077	-2.57	1.016	0.078	/
Face Upward	6/2437	DSSS	0.083	-1.92	1.016	0.084	Yes
Edge A	6/2437	DSSS	0.056	-3.49	1.016	0.057	/
Edge B	6/2437	DSSS	0.045	2.06	1.016	0.046	/

Results overview of WIFI 5G 802.11a-5180

Test Position of Head	Channel /Frequency	Mode	SAR Value (W/kg)1-g	Power drift(%)	Scaled Factor	Scaled SAR (W/Kg)1-g	SAR Plot.
Left Cheek	36/5180	OFDM	0.040	-3.340	1.076	0.043	Yes
Left Tilt 15°	36/5180	OFDM	0.033	-1.590	1.076	0.036	/
Right Cheek	36/5180	OFDM	0.036	-3.780	1.076	0.039	/
Right Tilt 15°	36/5180	OFDM	0.030	4.620	1.076	0.032	/
Body-worn(15mm)	Channel /Frequency	Mode	SAR Value (W/kg)1-g	Power drift(%)	Scaled Factor	Scaled SAR (W/Kg)1-g	SAR Plot.
Back Upward	36/5180	OFDM	0.055	-4.010	1.076	0.059	/
Face Upward	36/5180	OFDM	0.062	-1.930	1.076	0.067	Yes

Results overview of WIFI 5G 802.11n20-5785

Test Position of Head	Channel /Frequency	Mode	SAR Value (W/kg)1-g	Power drift(%)	Scaled Factor	Scaled SAR (W/Kg)1-g	SAR Plot.
Left Cheek	157/5785	OFDM	0.034	-2.840	1.089	0.037	Yes
Left Tilt 15°	157/5785	OFDM	0.025	-1.530	1.089	0.027	/
Right Cheek	157/5785	OFDM	0.029	-2.600	1.089	0.032	/
Right Tilt 15°	157/5785	OFDM	0.020	3.330	1.089	0.022	/
Body-worn(15mm)	Channel /Frequency	Mode	SAR Value (W/kg)1-g	Power drift(%)	Scaled Factor	Scaled SAR (W/Kg)1-g	SAR Plot.
Back Upward	157/5785	OFDM	0.040	-1.290	1.089	0.044	/
Face Upward	157/5785	OFDM	0.053	-3.100	1.089	0.058	Yes

Note:

Per KDB941225 D06 v02r01, When the antenna-to-edge distance is greater than 2.5cm, such position does not need to be tested. As the manufacture requirement the separation distance use 5mm for Hotspot mode.

Per KDB Publication 941225 D01v03r01. RMC 12.2kbps was as primary mode SAR, when the primary mode SAR less than 1.2W/kg, secondary SAR (HSPA) was not requires.

When the 1-g SAR for the mid-band channel or the channel with the highest output power satisfy the following conditions, testing of the other channels in the band is not required. (Per KDB 447498 D01 General RF Exposure Guidance v06)

- ≤ 0.8 W/kg, when the transmission band is ≤ 100 MHz
- ≤ 0.6 W/kg, when the transmission band is between 100 MHz and 200 MHz
- ≤ 0.4 W/kg, when the transmission band is ≥ 200 MHz

11. Simultaneous Transmissions Analysis

Localized Specific Absorption Rate (SAR) of this portable wireless device has been measured in all cases requested by the relevant standards cited in Clause 6 of this report. Maximum localized SAR is **below** exposure limits specified in the relevant standards.

Simultaneous SAR

No.	Transmitter Combinations	Scenario Supported or not	Supported for Mobile Hotspot or not
1	GSM + BT	Yes	No
2	GSM + WIFI 2.4G	Yes	Yes
3	WCDMA +BT	Yes	No
4	WCDMA +WIFI2.4G	Yes	Yes
5	LTE+BT	Yes	No
6	LTE+WIFI2.4G	Yes	Yes
7	WIFI+BT	No	No
8	GSM/WCDMA/LTE+WIFI 5G	Yes	No

Simultaneous Tx Combination of GSM/WCDMA/LTE and BT/WIFI (Head)

Test Position		Left Cheek	Left Tilt	Right Cheek	Right Tilt
Head MAX 1-g SAR(W/Kg)	GSM850	0.160	0.123	0.189	0.131
	GSM1900	0.080	0.052	0.030	0.022
	WCDMA 850	0.182	0.130	0.212	0.109
	WCDMA 1700	0.106	0.039	0.028	0.016
	WCDMA 1900	0.118	0.039	0.045	0.025
	LTE Band2	0.106	0.035	0.033	0.020
	LTE Band4	0.088	0.042	0.037	0.029
	LTE Band5	0.216	0.170	0.247	0.163
	LTE Band7	0.156	0.112	0.091	0.075
	LTE Band26	0.208	0.124	0.269	0.178
	LTE Band66	0.201	0.023	0.028	0.020
	2.4G WIFI 802.11b	0.035	0.024	0.030	0.019
	5G WIFI 802.11a	0.043	0.036	0.039	0.032
	BT	*0.263	*0.263	*0.263	*0.263
	WIFI2.4G Simultaneous \sum 1-g SAR(W/Kg)		0.251	0.194	0.299
WIFI5G Simultaneous \sum 1-g SAR(W/Kg)		0.259	0.206	0.308	0.210
BT Simultaneous \sum 1-g SAR(W/Kg)		0.479	0.433	0.532	0.441



Simultaneous Tx Combination of GSM/WCDMA/LTE and BT/WIFI (Body).

Test Position		Face	Back	Edge A	Edge B	Edge C	Edge D
Body-worn 15mm separation MAX 1-g SAR(W/Kg)	GSM850	0.187	0.371	/	/	/	/
	GSM1900	0.111	0.237	/	/	/	/
	WCDMA 850	0.087	0.204	/	/	/	/
	WCDMA 1700	0.108	0.160	/	/	/	/
	WCDMA 1900	0.132	0.354	/	/	/	/
	LTE Band2	0.185	0.392	/	/	/	/
	LTE Band4	0.097	0.152	/	/	/	/
	LTE Band5	0.152	0.283	/	/	/	/
	LTE Band7	0.175	1.047	/	/	/	/
	LTE Band26	0.131	0.287	/	/	/	/
	LTE Band66	0.139	0.185	/	/	/	/
	2.4G WIFI 802.11b	0.084	0.078	/	/	/	/
	5G WIFI 802.11a	0.067	0.059	/	/	/	/
	BT	*0.132	*0.132	/	/	/	/
2.4G WIFI Simultaneous \sum 1-g SAR(W/Kg)		0.271	1.125	/	/	/	/
5G WIFI Simultaneous \sum 1-g SAR(W/Kg)		0.254	1.106	/	/	/	/
BT Simultaneous \sum 1-g SAR(W/Kg)		0.319	1.179	/	/	/	/

Simultaneous Tx Combination of GSM/WCDMA/LTE and WIFI (Body).

Test Position		Face	Back	Edge A	Edge B	Edge C	Edge D
Hotspot On 10mm separation MAX 1-g SAR(W/Kg)	GSM850	0.262	0.485	/	0.392	0.207	0.202
	GSM1900	0.231	0.498	/	0.034	0.631	0.057
	WCDMA 850	0.124	0.284	/	0.171	0.095	0.055
	WCDMA 1700	0.261	0.370	/	0.055	0.405	0.058
	WCDMA 1900	0.386	0.701	/	0.050	0.909	0.090
	LTE Band2	0.380	0.725	/	0.050	0.870	0.085
	LTE Band4	0.231	0.356	/	0.060	0.375	0.064
	LTE Band5	0.204	0.344	/	0.311	0.152	0.143
	LTE Band7	0.151	0.773	/	0.268	0.458	0.277
	LTE Band26	0.153	0.334	/	0.223	0.099	0.102
	LTE Band66	0.250	0.389	/	0.032	0.380	0.034
	2.4G WIFI 802.11b	0.084	0.078	0.057	0.046	/	/
WIFI Simultaneous \sum 1-g SAR(W/Kg)		0.470	0.851	/	0.438	/	/

The estimated SAR value with * Signal

SAR to Peak Location Separation Ratio (SPLSR)

As the Sum of the SAR is not greater than 1.6 W/kg SPLSR assessment is not required

12.Measurement Uncertainty

No.	Uncertainty Component	Type	Uncertainty Value (%)	Probability Distribution	k	ci	Standard Uncertainty (%) $u_i(\%)$	Degree of freedom ν_{eff} or ν_i
Measurement System								
1	- Probe Calibration	B	5.8	N	1	1	5.8	∞
2	- Axial isotropy	B	3.5	R	$\sqrt{3}$	0.5	1.43	∞
3	- Hemispherical Isotropy	B	5.9	R	$\sqrt{3}$	0.5	2.41	∞
4	- Boundary Effect	B	1	R	$\sqrt{3}$	1	0.58	∞
5	- Linearity	B	4.7	R	$\sqrt{3}$	1	2.71	∞
6	- System Detection Limits	B	1.0	R	$\sqrt{3}$	1	0.58	∞
7	Modulation response	B	3	N	1	1	3.00	
8	- Readout Electronics	B	0.5	N	1	1	0.50	∞
9	- Response Time	B	1.4	R	$\sqrt{3}$	1	0.81	∞
10	- Integration Time	B	3.0	R	$\sqrt{3}$	1	1.73	∞
11	- RF Ambient Conditions	B	3.0	R	$\sqrt{3}$	1	1.73	∞
12	- Probe Position Mechanical tolerance	B	1.4	R	$\sqrt{3}$	1	0.81	∞
13	- Probe Position with respect to Phantom Shell	B	1.4	R	$\sqrt{3}$	1	0.81	∞
14	- Extrapolation, Interpolation and Integration Algorithms for Max. SAR evaluation	B	2.3	R	$\sqrt{3}$	1	1.33	∞
Uncertainties of the DUT								

15	- Position of the DUT	A	2.6	N	$\sqrt{3}$	1	2.6	5
16	- Holder of the DUT	A	3	N	$\sqrt{3}$	1	3.0	5
17	- Output Power Variation -SAR drift measurement	B	5.0	R	$\sqrt{3}$	1	2.89	∞
Phantom and Tissue Parameters								
18	- Phantom Uncertainty(shape and thickness tolerances)	B	4	R	$\sqrt{3}$	1	2.31	∞
19	Uncertainty in SAR correction for deviation(in permittivity and conductivity)	B	2	N	1	1	2.00	
20	- Liquid Conductivity Target -tolerance	B	2.5	R	$\sqrt{3}$	0.6	1.95	∞
21	- Liquid Conductivity -measurement Uncertainty)	B	4	N	$\sqrt{3}$	1	0.92	9
22	- Liquid Permittivity Target tolerance	B	2.5	R	$\sqrt{3}$	0.6	1.95	∞
23	- Liquid Permittivity -measurement uncertainty	B	5	N	$\sqrt{3}$	1	1.15	∞
Combined Standard Uncertainty				RSS			10.63	
Expanded uncertainty (Confidence interval of 95 %)				K=2			21.26	

System Check Uncertainty

No.	Uncertainty Component	Type	Uncertainty Value (%)	Probability Distribution	k	ci	Standard Uncertainty (%) $u_i(\%)$	Degree of freedom V_{eff} or v_i
Measurement System								
1	- Probe Calibration	B	5.8	N	1	1	5.8	∞
2	- Axial isotropy	B	3.5	R	$\sqrt{3}$	0.5	1.43	∞



3	- Hemispherical Isotropy	B	5.9	R	$\sqrt{3}$	0.5	2.41	∞
4	- Boundary Effect	B	1	R	$\sqrt{3}$	1	0.58	∞
5	- Linearity	B	4.7	R	$\sqrt{3}$	1	2.71	∞
6	- System Detection Limits	B	1	R	$\sqrt{3}$	1	0.58	∞
7	Modulation response	B	0	N	1	1	0.00	
8	- Readout Electronics	B	0.5	N	1	1	0.50	∞
9	- Response Time	B	0.00	R	$\sqrt{3}$	1	0.00	∞
10	- Integration Time	B	1.4	R	$\sqrt{3}$	1	0.81	∞
11	- RF Ambient Conditions	B	3.0	R	$\sqrt{3}$	1	1.73	∞
12	- Probe Position Mechanical tolerance	B	1.4	R	$\sqrt{3}$	1	0.81	∞
13	- Probe Position with respect to Phantom Shell	B	1.4	R	$\sqrt{3}$	1	0.81	∞
14	- Extrapolation, Interpolation and Integration Algorithms for Max. SAR evaluation	B	2.3	R	$\sqrt{3}$	1	1.33	∞
Uncertainties of the DUT								
15	Deviation of experimental source from numerical source	A	4	N	1	1	4.00	5
16	Input Power and SAR drift measurement	A	5	R	$\sqrt{3}$	1	2.89	5
17	Dipole Axis to Liquid Distance	B	2	R	$\sqrt{3}$	1	1.2	∞
Phantom and Tissue Parameters								
18	- Phantom Uncertainty(shape	B	4	R	$\sqrt{3}$	1	2.31	∞



	and thickness tolerances)							
19	Uncertainty in SAR correction for deviation(in permittivity and conductivity)	B	2	N	1	1	2.00	
20	- Liquid Conductivity Target -tolerance	B	2.5	R	$\sqrt{3}$	0.6	1.95	∞
21	- Liquid Conductivity -measurement Uncertainty)	B	4	N	$\sqrt{3}$	1	0.92	9
22	- Liquid Permittivity Target tolerance	B	2.5	R	$\sqrt{3}$	0.6	1.95	∞
23	- Liquid Permittivity -measurement uncertainty	B	5	N	$\sqrt{3}$	1	1.15	∞
Combined Standard Uncertainty				RSS			10.15	
Expanded uncertainty (Confidence interval of 95 %)				K=2			20.29	



13. Equipment List

This table is a complete overview of the SAR measurement equipment. Devices used during the test described are marked .

	EQUIPMENT	Model	Serial number	Calibration Date	Due Date
<input checked="" type="checkbox"/>	SAR Probe	SSE2	SN27/15 EPGO261	2019/03/04	2020/03/03
<input checked="" type="checkbox"/>	Dipole	SID750	SN 23/15 DIP0G750-378	2019/11/27	2020/11/26
<input checked="" type="checkbox"/>	Dipole	SID835	SN 09/13 DIP0G835-217	2019/11/27	2020/11/26
<input type="checkbox"/>	Dipole	SID900	SN 09/13 DIP0G900-215	2019/11/27	2020/11/26
<input checked="" type="checkbox"/>	Dipole	SID1800	SN 09/13 DIP1G800-216	2019/11/27	2020/11/26
<input checked="" type="checkbox"/>	Dipole	SID1900	SN 09/13 DIP2G000-218	2019/11/27	2020/11/26
<input type="checkbox"/>	Dipole	SID2000	SN 09/13 DIP2G000-219	2019/11/27	2020/11/26
<input checked="" type="checkbox"/>	Dipole	SID2450	SN_09/13_DIP2G450-220	2019/11/27	2020/11/26
<input checked="" type="checkbox"/>	Dipole	SID2600	SN 32/14_DIP2G600-338	2019/11/27	2020/11/26
<input checked="" type="checkbox"/>	Dipole	SWG5500	SN15/15 WGA39	2019/11/27	2020/11/26
<input checked="" type="checkbox"/>	Multimeter	Keithley-2000	4014020	2019/04/01	2020/04/01
<input checked="" type="checkbox"/>	System Simulator(Agilent 8960)	E5515C	GB 47200710	2019/10/21	2020/10/21
<input checked="" type="checkbox"/>	System Simulator(R&S)	CMW500	130805	2019/07/30	2020/07/29
<input checked="" type="checkbox"/>	KEYSIGHT	E7515A	MY56040357	2019/04/01	2020/04/01
<input checked="" type="checkbox"/>	Vector Network Analyzer(R&S)	ZVB8	A0802530	2019/04/17	2020/04/17
<input checked="" type="checkbox"/>	PC 3.5 Fixed Match Calibration Kit	ZV-Z32	100571	2019/11/22	2020/11/21
<input checked="" type="checkbox"/>	Dielectric Probe Kit	SCLMP	SN 09/13 OCPG51	2019/11/22	2020/11/21
<input checked="" type="checkbox"/>	Signal Generator	SMU200A	A140801888	2019/04/01	2020/04/01
<input checked="" type="checkbox"/>	Amplifier	Nucletudes	143060	2019/03/26	2020/03/25
<input checked="" type="checkbox"/>	Directional Coupler	DC6180A	305827	2019/03/26	2020/03/25
<input checked="" type="checkbox"/>	Power Meter	NRP2	A140401673	2019/03/26	2020/03/25
<input checked="" type="checkbox"/>	Power Sensor	NPR-Z11	1138.3004.02-114072-nq	2019/03/26	2020/03/25
<input checked="" type="checkbox"/>	Power Meter	NRVS	A0802531	2019/03/26	2020/03/25
<input checked="" type="checkbox"/>	Power Sensor	NRV-Z4	100069	2019/03/26	2020/03/25



ANNEX A: Appendix A: SAR System performance Check Plots

(Please See Appendix A)

ANNEX B: Appendix B: SAR Measurement results Plots

(Please See Appendix B)

ANNEX C: Appendix C: Calibration reports

(Please See Appendix C)

ANNEX D: Appendix D: SAR Test Setup

(Please See Appendix D)

—End of the Report—