



EMC TEST REPORT

Applicant ZTE Corporation
FCC ID SRQ-Z7540
Product 5G NR Multi-Mode Digital Mobile Phone
Brand ZTE
Model Z7540
Report No. R2202A0144-E1
Issue Date March 12,2022

TA Technology (Shanghai) Co., Ltd. tested the above equipment in accordance with the requirements in **FCC Code CFR47 Part15B (2021)/ ANSI C63.4 (2014)**. The test results show that the equipment tested is capable of demonstrating compliance with the requirements as documented in this report.

Wei Liu

Prepared by: Wei Liu

Guangchang Fan

Approved by: Guangchang Fan

TA Technology (Shanghai) Co., Ltd.

No.145, Jintang Rd, Tangzhen Industry Park, Pudong Shanghai, China

TEL: +86-021-50791141/2/3

FAX: +86-021-50791141/2/3-8000



Table of Contents

1	Test Laboratory.....	4
1.1	Notes of the Test Report.....	4
1.2	Test facility.....	4
1.3	Testing Location.....	4
2	General Description of Equipment under Test.....	5
2.1	Applicant and Manufacturer Information.....	5
2.2	General information.....	5
2.3	Applied Standards.....	7
2.4	Test Mode.....	8
3	Test Case Results.....	9
3.1	Radiated Emission.....	9
3.2	Conducted Emission.....	14
4	Main Test Instruments.....	17
	ANNEX A: The EUT Appearance.....	18
	ANNEX B: Test Setup Photos.....	19



Summary of measurement results

Number	Test Case	Clause in FCC Rules	Conclusion
1	Radiated Emission	FCC Part15.109, ANSI C63.4-2014	PASS
2	Conducted Emission	FCC Part15.107, ANSI C63.4-2014	PASS
Date of Testing: February 14, 2022 ~ March 11, 2022			
Date of Sample Received: February 14, 2022			
Note: All indications of Pass/Fail in this report are opinions expressed by TA Technology (Shanghai) Co., Ltd. based on interpretations and/or observations of test results. Measurement Uncertainties were not taken into account and are published for informational purposes only.			

1 Test Laboratory

1.1 Notes of the Test Report

This report shall not be reproduced in full or partial, without the written approval of **TA technology (shanghai) co., Ltd.** The results documented in this report apply only to the tested sample, under the conditions and modes of operation as described herein. Measurement Uncertainties were not taken into account and are published for informational purposes only. This report is written to support regulatory compliance of the applicable standards stated above.

1.2 Test facility

FCC (Designation number: CN1179, Test Firm Registration Number: 446626)

TA Technology (Shanghai) Co., Ltd. has been listed on the US Federal Communications Commission list of test facilities recognized to perform measurements.

A2LA (Certificate Number: 3857.01)

TA Technology (Shanghai) Co., Ltd. has been listed by American Association for Laboratory Accreditation to perform measurement.

1.3 Testing Location

Company: TA Technology (Shanghai) Co., Ltd.
Address: No.145, Jintang Rd, Tangzhen Industry Park, Pudong Shanghai, China
City: Shanghai
Post code: 201201
Country: P. R. China
Contact: Fan Guangchang
Telephone: +86-021-50791141/2/3
Fax: +86-021-50791141/2/3-8000
Website: <http://www.ta-shanghai.com>
E-mail: fanguangchang@ta-shanghai.com

2 General Description of Equipment under Test

2.1 Applicant and Manufacturer Information

Applicant	ZTE Corporation
Applicant address	ZTE Plaza, Keji Road South, Hi-Tech, Industrial Park, Nanshan District, Shenzhen, Guangdong, 518057, P.R.China
Manufacturer	ZTE Corporation
Manufacturer address	ZTE Plaza, Keji Road South, Hi-Tech, Industrial Park, Nanshan District, Shenzhen, Guangdong, 518057, P.R.China

2.2 General information

EUT Description			
Device Type	Portable Device		
Model	Z7540		
IMEI	866787060002560		
HW Version	Z7540HW1.0		
SW Version	Z7540_CCv1.0.0B02		
Power Rating	DC 3.85V from battery		
Connecting I/O Port(s)	Please refer to the User's Manual.		
Antenna Type	Internal Antenna		
Frequency	Band	Tx (MHz)	Rx (MHz)
	WCDMA Band II	1850 ~ 1910	1930 ~ 1990
	WCDMA Band IV	1710 ~ 1755	2110 ~ 2155
	WCDMA Band V	824 ~ 849	869 ~ 894
	LTE Band 2	1850 ~ 1910	1930 ~ 1990
	LTE Band 4	1710 ~ 1755	2110 ~ 2155
	LTE Band 5	824 ~ 849	869 ~ 894
	LTE Band 12	699 ~ 716	729 ~ 746
	LTE Band 41	2496 ~ 2690	2496 ~ 2690
	LTE Band 66	1710 ~ 1780	2110 ~ 2180
	LTE Band 71	663 ~ 698	617 ~ 652
	Bluetooth	2400 ~ 2483.5	2400 ~ 2483.5
	Wi-Fi 2.4G	2400 ~ 2483.5	2400 ~ 2483.5
	Wi-Fi 5G(U-NII-1)	5150 ~ 5250	5150 ~ 5250
Wi-Fi 5G(U-NII-3)	5725 ~ 5850	5725 ~ 5850	



	NR Band n2	1850 ~ 1910	1930 ~ 1990
	NR Band n5	824 ~ 849	869 ~ 894
	NR Band n25	1850 ~ 1915	1930 ~ 1995
	NR Band n41	2496 ~ 2690	2496 ~ 2690
	NR Band n66	1710 ~ 1780	2110 ~ 2180
	NR Band n71	663 ~ 698	617 ~ 652
EN-DC Band	DC_5A_n2A, DC_12A_n2A, DC_66A_n2A, DC_2A_n5A, DC_66A_n5A, DC_66A_n25A, DC_2A_n41A, DC_66A_n41A, DC_2A_n66A, DC_5A_n66A, DC_12A_n66A, DC_2A_n71A, DC_66A_n71A		
UL CA Band	CA_41C		
EUT Accessory			
Adapter 1	Manufacturer: Jiangsu Chenyang Electron Co., Ltd. Model: STC-A51030A2-Z Input: 100-240V~50/60Hz 0.3A Output: 5.0V $\overline{\text{---}}$ 2.0A 10.0W		
Adapter 2	Manufacturer: Shenzhen Ruijing Industrial Co Ltd Model: STC-A51030A2-Z Input: 100-240V~50/60Hz 0.3A Output: 5.0V $\overline{\text{---}}$ 2.0A 10.0W		
Battery	Manufacturer: SCUD (Fujian) Electronics Co., LTD. Model: Li3949T44P8h906450 DC 3.7V, 3000mAh, 11.1Wh		
USB Cable 1	Manufacturer: kingpower-tech Model: USB-TC20-W-100-M-L-HF 100cm Cable, Shielded		
USB Cable 2	Manufacturer: Shenzhen Luxshare Precision Industry Co.,Ltd. Model: USB-TC20-W-100-M-L-HF 100cm Cable, Shielded		
Auxiliary test equipment			
PC	PC Manufacturer: Dell Model: E5430 (SN : R98M9 A02)		
<p>Note: 1. The EUT is sent from the applicant to TA and the information of the EUT is declared by the applicant.</p> <p>2. There are more than one Adapter and USB Cable, each one should be applied throughout the compliance test respectively, however, only the worst case (Adapter 1and USB Cable 2) will be recorded in this report.</p>			



2.3 Applied Standards

According to the specifications of the manufacturer, it must comply with the requirements of the following standards:

Test standards

FCC Code CFR47 Part15B (2021)

ANSI C63.4 (2014)

2.4 Test Mode

Test Mode	
Mode 1	Adapter +USB cable+ Front camera On +GNSS Rx + WCDMA/LTE/NR/ Bluetooth/ WLAN receiver
Mode 2	Adapter +USB cable+ Rear camera On +GNSS Rx + WCDMA/LTE/NR/ Bluetooth/ WLAN receiver
Mode 3	Adapter + USB cable + Mp4
Mode 4	Adapter + USB cable + WCDMA/LTE/NR/GNSS/ Bluetooth/ WLAN receiver
Mode 5	USB Copy(EUT with PC) + USB cable
Mode 6	Front Camera On + GNSS Rx + WCDMA/LTE/NR/ Bluetooth/ WLAN receiver
Mode 7	Rear camera On + GNSS Rx + WCDMA/LTE/NR/ Bluetooth/ WLAN receiver
Mode 8	Earphone + MP4
Mode 9	Earphone + GNSS Rx + WCDMA/LTE/NR/ Bluetooth/ WLAN receiver

During the test, the preliminary test was performed in all modes, mode 1 for Radiated Emission, mode 3 for Conducted Emission is selected as the worst condition The test data of the worst-case condition was recorded in this report.

3 Test Case Results

3.1 Radiated Emission

Ambient condition

Temperature	Relative humidity	Pressure
15°C~35°C	30%~60%	101.5kPa

Methods of Measurement

The EUT is placed on a non-metallic table 0.8m above the horizontal metal reference ground plane. The distance between EUT and receive antenna should be 3 meters. During the test, the EUT was operating in its typical mode. The test method is according to ANSI C63.4-2014. Sweep the whole frequency band through the range from 30MHz to the 5th harmonic of the carrier. During the test, the height of receive antenna shall be moved from 1 to 4 meters, and the antenna shall be performed under horizontal and vertical polarization. The turn table shall be rotated from 0 to 360 degrees for detecting the maximum of radiated signal level.

The data of cable loss and antenna factor has been calibrated in full testing frequency range before the testing. During the test, the EUT is worked at maximum output power.

Set the spectrum analyzer in the following:

Below 1GHz:

RBW=100 kHz / VBW=300 kHz / Sweep=AUTO

Above 1GHz:

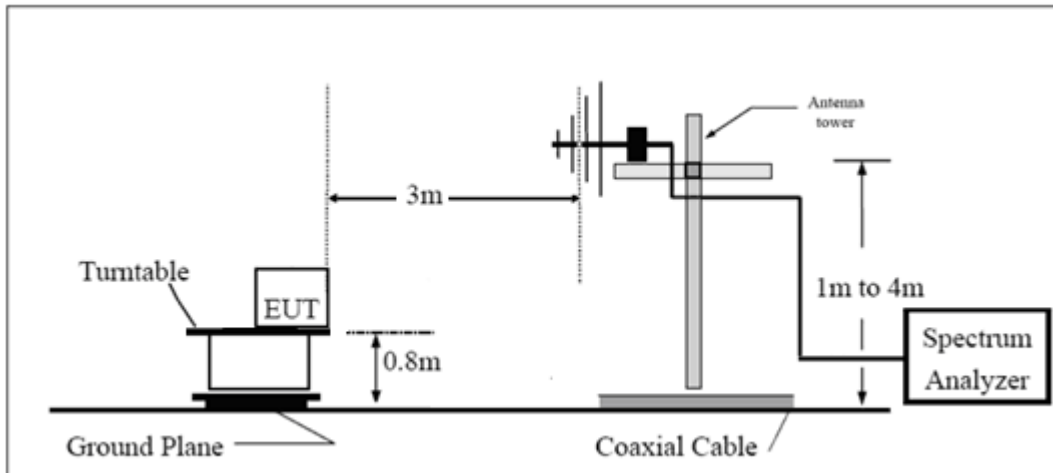
(a) PEAK Detector: RBW=1MHz / VBW=3MHz / Sweep=AUTO

(b) AVERAGE Detector: RBW=1MHz / VBW=3MHz / Sweep=AUTO

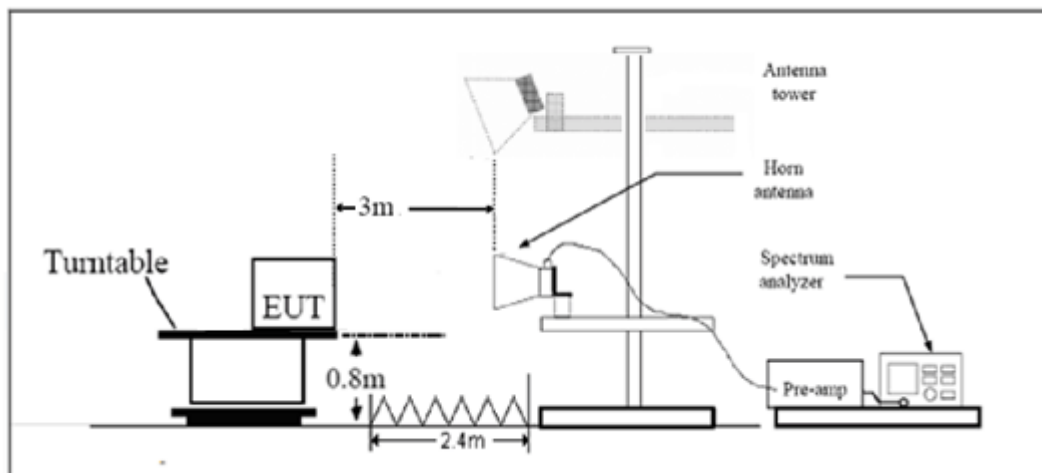
The radiated emission was measured in the following position: EUT stand-up position (Z axis), lie-down position (X, Y axis). The worst emission was found in lie-down position (X axis) and the worst case was recorded.

Test Setup

Below 1GHz



Above 1GHz



Note: Area side: 2.4mX3.6m

Antenna Tower meets ANSI C63.4 requirements for measurements above 1 GHz by keeping the antenna aimed at the EUT during the antenna's ascent/ descent along the antenna mast.

Limits**Class B**

Frequency (MHz)	Field Strength (dB μ V/m)	Detector
30 -88	40.0	Quasi-peak
88-216	43.5	Quasi-peak
216 – 960	46.0	Quasi-peak
960-1000	54.0	Quasi-peak
1000-5 th harmonic of the highest frequency or 40GHz, which is lower	54 74	Average Peak

Measurement Uncertainty

The assessed measurement uncertainty to ensure 95% confidence level for the normal distribution is with the coverage factor $k = 1.96$.

Frequency	Uncertainty
30MHz~200MHz	4.17 dB
200MHz~1000MHz	4.84 dB
1GHz~18GHz	4.35 dB

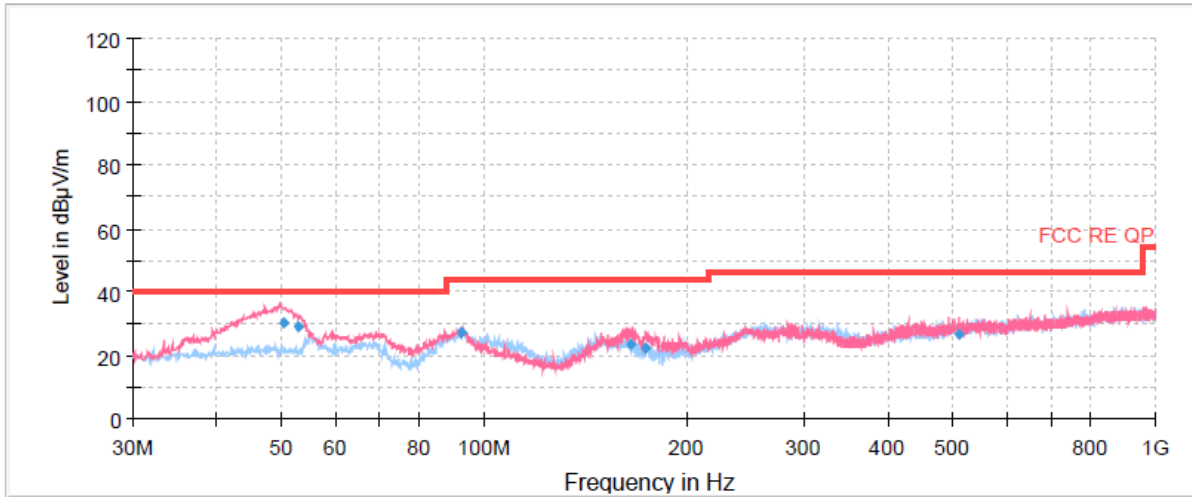
Test Results

Sweep the whole frequency band through the range from 30MHz to the 5th harmonic of the carrier. The Emissions in the frequency band 18GHz – 26.5GHz is more than 20dB below the limit are not reported.

The following graphs display the maximum values of horizontal and vertical by software.

For above 1GHz, Blue trace uses the peak detection, Green trace uses the average detection.

A font (Level in dB μ V/)in the test plot =(level in dB μ V/m)

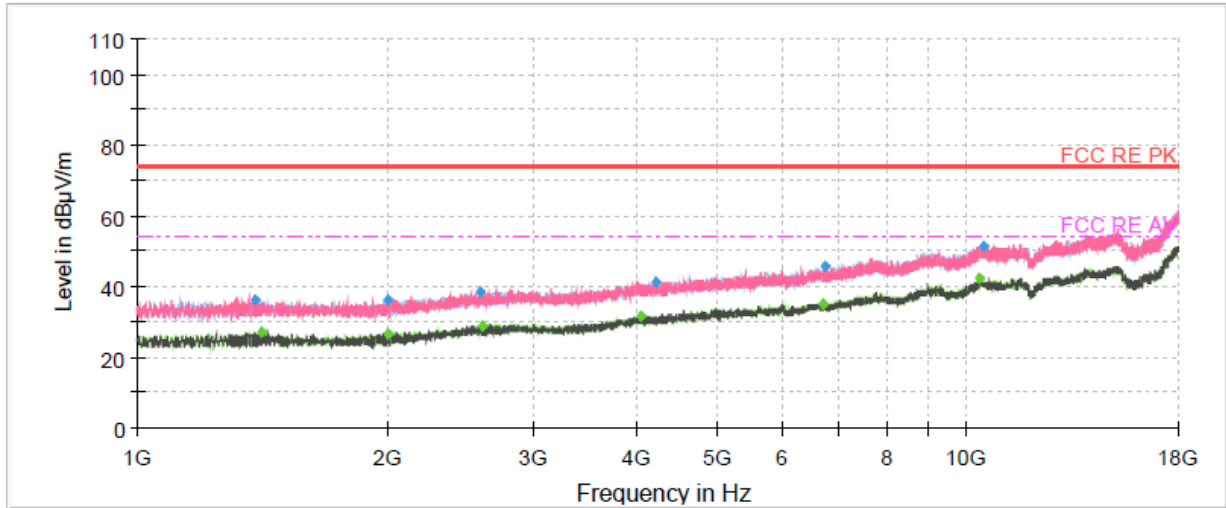


Radiated Emission from 30MHz to 1GHz

Frequency (MHz)	Quasi-Peak (dBuV/m)	Limit (dBuV/m)	Margin (dB)	Meas. Time (ms)	Height (cm)	Polarization	Azimuth (deg)	Correct Factor (dB)
50.20	30.00	40.00	10.00	1000.00	100.0	V	52.00	14
52.73	28.71	40.00	11.29	1000.00	100.0	V	45.00	14
92.76	26.95	43.50	16.55	1000.00	175.0	H	185.00	12
165.08	23.29	43.50	20.21	1000.00	100.0	V	107.00	10
173.97	22.33	43.50	21.17	1000.00	100.0	V	114.00	10
509.23	26.19	46.00	19.81	1000.00	100.0	V	252.00	20

Remark: 1. Correction Factor = Antenna factor + Insertion loss(cable loss+amplifier gain)

2. Margin = Limit – Quasi-Peak



Radiated Emission from 1GHz to 18GHz

Frequency (MHz)	Peak (dBuV/m)	Average (dBuV/m)	Limit (dBuV/m)	Margin (dB)	Meas. Time (ms)	Height (cm)	Polarization	Azimuth (deg)	Correct Factor (dB)
1391.00	36.29	---	74.00	37.71	500.00	200.0	V	115.00	-17
1408.57	---	26.96	54.00	27.04	500.00	200.0	V	46.00	-17
2003.57	---	26.59	54.00	27.41	500.00	100.0	H	1.00	-15
2003.57	36.08	---	74.00	37.92	500.00	200.0	V	0.00	-15
2583.27	38.31	---	74.00	35.69	500.00	100.0	H	58.00	-14
2600.83	---	28.96	54.00	25.04	500.00	100.0	H	114.00	-14
4035.63	---	31.62	54.00	22.38	500.00	100.0	H	100.00	-11
4230.00	41.42	---	74.00	32.58	500.00	200.0	H	0.00	-11
6697.83	---	35.26	54.00	18.74	500.00	200.0	H	240.00	-4
6755.63	45.55	---	74.00	28.45	500.00	200.0	V	59.00	-4
10346.03	---	42.25	54.00	11.75	500.00	100.0	H	336.00	0
10464.47	51.44	---	74.00	22.56	500.00	200.0	H	39.00	-1

3.2 Conducted Emission

Ambient condition

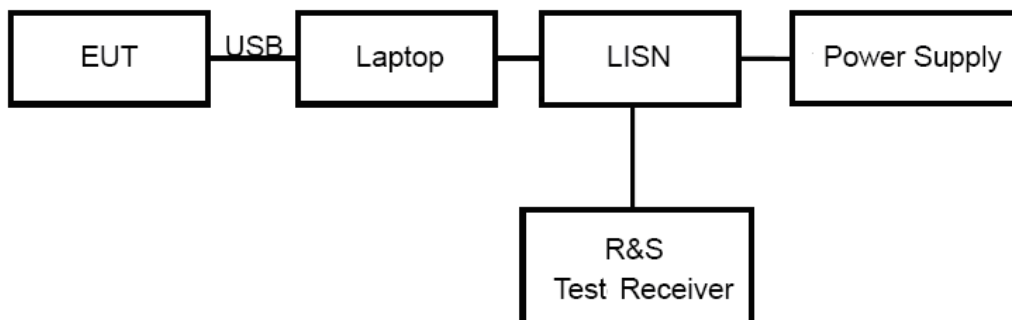
Temperature	Relative humidity	Pressure
15°C~35°C	30%~60%	101.5kPa

Methods of Measurement

The EUT is placed on a non-metallic table of 80cm height above the horizontal metal reference ground plane. During the test, the EUT was operating in its typical mode. The test method is according to ANSI C63.4-2014. Connect the AC power line of the EUT to the L.I.S.N. Use EMI receiver to detect the average and Quasi-peak value. RBW is set to 9 kHz, VBW is set to 30kHz. The measurement result should include both L line and N line.

During the test, EUT is connected to a laptop via a USB cable in the case of Transfer Data mode. The EUT is used as the peripheral equipment of the PC. The data is transferred from EUT to PC; PC is connected to server via a long LAN cable.

Test Setup



Note: Power Supply is AC Power source and it is used to change the voltage 120V/60Hz.

Limits

Frequency (MHz)	Conducted Limits(dBμV)	
	Quasi-peak	Average
0.15 - 0.5	66 to 56 *	56 to 46 *
0.5 - 5	56	46
5 - 30	60	50

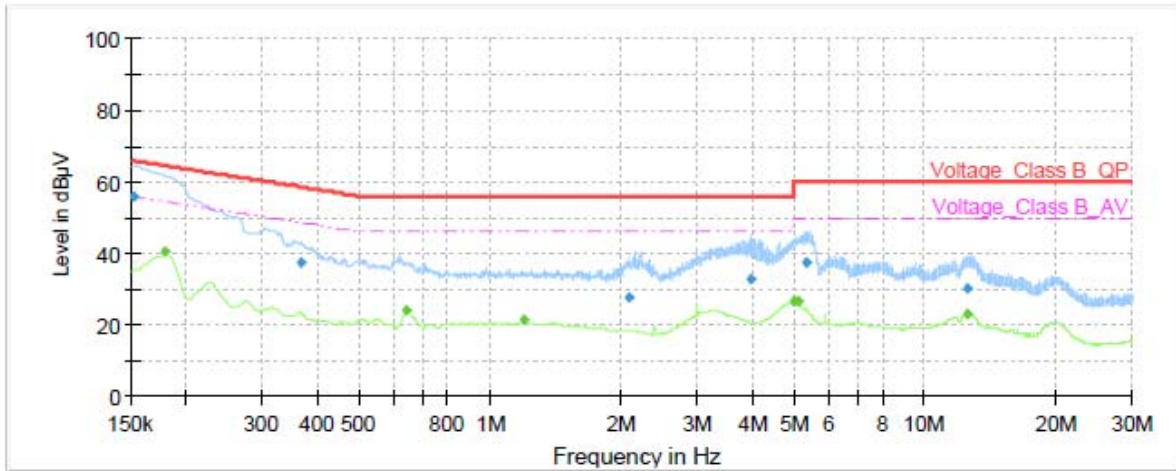
*: Decreases with the logarithm of the frequency.

Measurement Uncertainty

The assessed measurement uncertainty to ensure 95% confidence level for the normal distribution is with the coverage factor $k = 1.96$. $U = 2.57$ dB.

Test Results

Following plots, Blue trace uses the peak detection; Green trace uses the average detection.

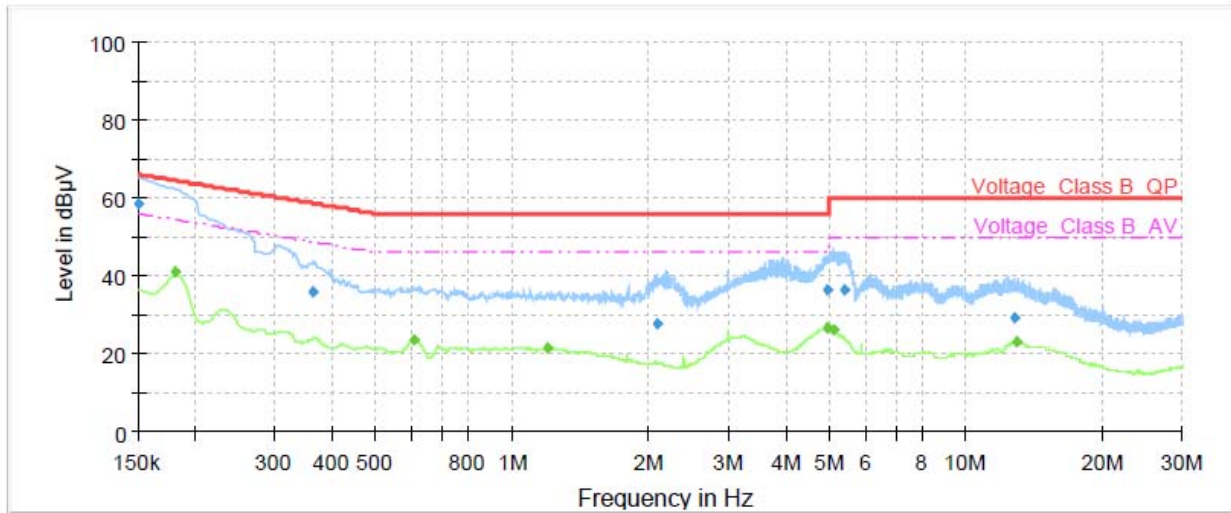


Frequency (MHz)	QuasiPeak (dBµV)	Average (dBµV)	Limit (dBµV)	Margin (dB)	Meas. Time (ms)	Bandwidth (kHz)	Line	Filter	Corr. (dB)
0.15	55.75	---	65.88	10.13	1000.00	9.000	L1	ON	21
0.18	---	40.74	54.52	13.78	1000.00	9.000	L1	ON	21
0.37	37.48	---	58.59	21.11	1000.00	9.000	L1	ON	21
0.64	---	23.86	46.00	22.14	1000.00	9.000	L1	ON	20
1.20	---	21.40	46.00	24.60	1000.00	9.000	L1	ON	20
2.08	27.54	---	56.00	28.46	1000.00	9.000	L1	ON	20
3.96	32.70	---	56.00	23.30	1000.00	9.000	L1	ON	19
4.98	---	26.48	46.00	19.52	1000.00	9.000	L1	ON	19
5.13	---	26.48	50.00	23.52	1000.00	9.000	L1	ON	19
5.32	37.53	---	60.00	22.47	1000.00	9.000	L1	ON	19
12.49	30.14	---	60.00	29.86	1000.00	9.000	L1	ON	20
12.56	---	23.30	50.00	26.70	1000.00	9.000	L1	ON	20

Remark: Correct factor=cable loss + LISN factor

L line

Conducted Emission from 150 KHz to 30 MHz



Frequency (MHz)	QuasiPeak (dBµV)	Average (dBµV)	Limit (dBµV)	Margin (dB)	Meas. Time (ms)	Bandwidth (kHz)	Line	Filter	Corr. (dB)
0.15	58.46	---	66.00	7.54	1000.00	9.000	N	ON	21
0.18	---	41.04	54.42	13.38	1000.00	9.000	N	ON	21
0.36	36.10	---	58.64	22.54	1000.00	9.000	N	ON	21
0.61	---	23.69	46.00	22.31	1000.00	9.000	N	ON	20
1.19	---	21.67	46.00	24.33	1000.00	9.000	N	ON	20
2.08	27.90	---	56.00	28.10	1000.00	9.000	N	ON	20
4.94	---	26.81	46.00	19.19	1000.00	9.000	N	ON	19
4.97	36.34	---	56.00	19.66	1000.00	9.000	N	ON	19
5.13	---	26.02	50.00	23.98	1000.00	9.000	N	ON	19
5.40	36.59	---	60.00	23.41	1000.00	9.000	N	ON	19
12.78	29.23	---	60.00	30.77	1000.00	9.000	N	ON	20
12.97	---	23.11	50.00	26.89	1000.00	9.000	N	ON	20

Remark: Correct factor=cable loss + LISN factor

N line

Conducted Emission from 150 KHz to 30 MHz

4 Main Test Instruments

Name	Manufacturer	Type	Serial Number	Calibration Date	Expiration Time
Spectrum Analyzer	R&S	FSV40	15195-01-00	2021-05-15	2022-05-14
EMI Test Receiver	R&S	ESCI	100948	2021-05-15	2022-05-14
Trilog Antenna	SCHWARZBECK	VULB 9163	391	2019-12-16	2022-12-15
Horn Antenna	R&S	HF907	102723	2020-08-11	2023-08-10
Horn Antenna	ETS-Lindgren	3160-09	00102643	2021-10-10	2024-10-09
EMI Test Receiver	R&S	ESR	101667	2021-05-16	2022-05-15
LISN	R&S	ENV216	101171	2020-12-13	2022-12-12
Bore Sight Antenna mast	ETS	2171B	00058752	/	/
Test software	EMC32	R&S	9.26.0	/	/

*****END OF REPORT *****



ANNEX A: The EUT Appearance

The EUT Appearance are submitted separately.



ANNEX B: Test Setup Photos

The Test Setup Photos are submitted separately.