

## HAC\_E\_Dipole\_835

### DUT: HAC-Dipole 835 MHz

Communication System: CW; Frequency: 835 MHz; Duty Cycle: 1:1  
 Medium: Air Medium parameters used:  $\sigma = 0$  S/m,  $\epsilon_r = 1$ ;  $\rho = 0$  kg/m<sup>3</sup>  
 Ambient Temperature : 23.5 °C

#### DASY5 Configuration:

- Probe: ER3DV6 - SN2358; ConvF(1, 1, 1); Calibrated: 2018/1/19;
- Sensor-Surface: (Fix Surface)
- Electronics: DAE4 Sn917; Calibrated: 2017/12/14
- Phantom: HAC Test Arch with AMCC; Type: SD HAC P01 BA;
- Measurement SW: DASY52, Version 52.10 (0); SEMCAD X Version 14.6.10 (7417)

### E Scan - measurement distance from the probe sensor center to CD835 = 10mm & 15mm/Hearing Aid Compatibility Test at 15mm distance (41x361x1): Interpolated grid:

dx=0.5000 mm, dy=0.5000 mm

Device Reference Point: 0, 0, -6.3 mm

Reference Value = 123.2 V/m; Power Drift = -0.07 dB

PMR not calibrated. PMF = 1.000 is applied.

E-field emissions = 109.4 V/m

Average value of Total=(109.4+107.4) / 2 = 108.4 V/m

PMF scaled E-field

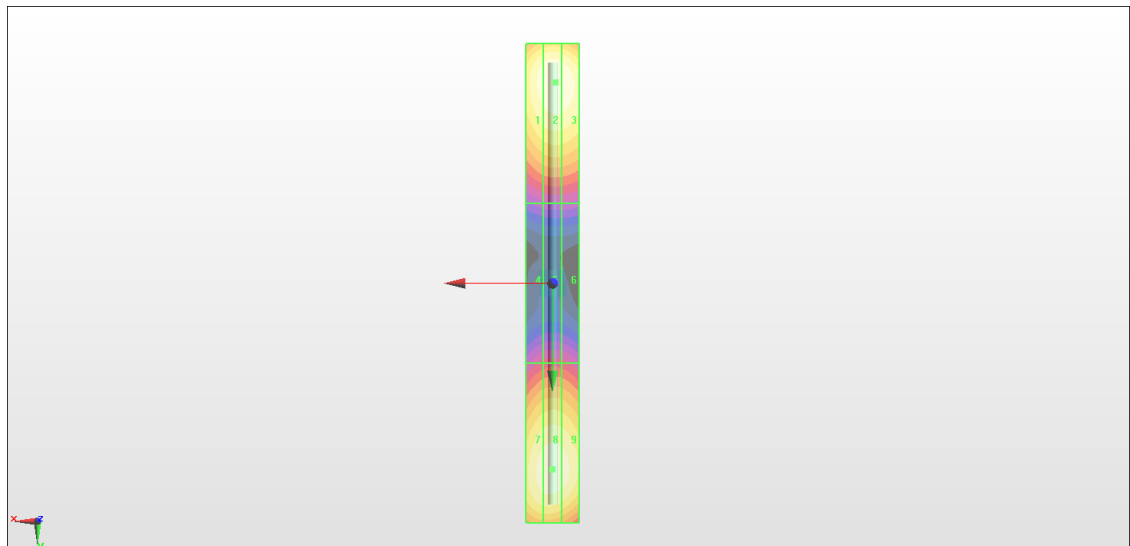
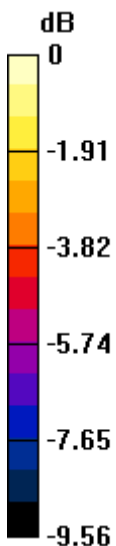
Grid 1 <b>M4</b> <b>105.9 V/m</b>	Grid 2 <b>M4</b> <b>109.4 V/m</b>	Grid 3 <b>M4</b> <b>108.1 V/m</b>
Grid 4 <b>M4</b> <b>62.57 V/m</b>	Grid 5 <b>M4</b> <b>63.65 V/m</b>	Grid 6 <b>M4</b> <b>62.96 V/m</b>
Grid 7 <b>M4</b> <b>105.8 V/m</b>	Grid 8 <b>M4</b> <b>107.4 V/m</b>	Grid 9 <b>M4</b> <b>105.7 V/m</b>

#### Cursor:

Total = 109.4 V/m

E Category: M4

Location: -1, -75.5, 9.7 mm



0 dB = 109.4 V/m = 40.78 dBV/m

## HAC\_E\_Dipole\_1880

### DUT: HAC Dipole 1880 MHz

Communication System: CW; Frequency: 1880 MHz; Duty Cycle: 1:1

Medium: Air Medium parameters used:  $\sigma = 0 \text{ S/m}$ ,  $\epsilon_r = 1$ ;  $\rho = 0 \text{ kg/m}^3$

Ambient Temperature : 23.5 °C

DASY5 Configuration:

- Probe: ER3DV6 - SN2358; ConvF(1, 1, 1); Calibrated: 2018/1/19;
- Sensor-Surface: (Fix Surface)
- Electronics: DAE4 Sn917; Calibrated: 2017/12/14
- Phantom: HAC Test Arch with AMCC; Type: SD HAC P01 BA;
- Measurement SW: DASY52, Version 52.10 (0); SEMCAD X Version 14.6.10 (7417)

### E Scan - measurement distance from the probe sensor center to CD1880 = 10mm & 15mm/Hearing Aid Compatibility Test at 15mm distance (41x181x1): Interpolated grid:

$dx=0.5000 \text{ mm}$ ,  $dy=0.5000 \text{ mm}$

Device Reference Point: 0, 0, -6.3 mm

Reference Value = 147.5 V/m; Power Drift = 0.01 dB

PMR not calibrated. PMF = 1.000 is applied.

E-field emissions = 88.90 V/m

Average value of Total =  $(88.90+84.64) / 2 = 86.77 \text{ V/m}$

PMF scaled E-field

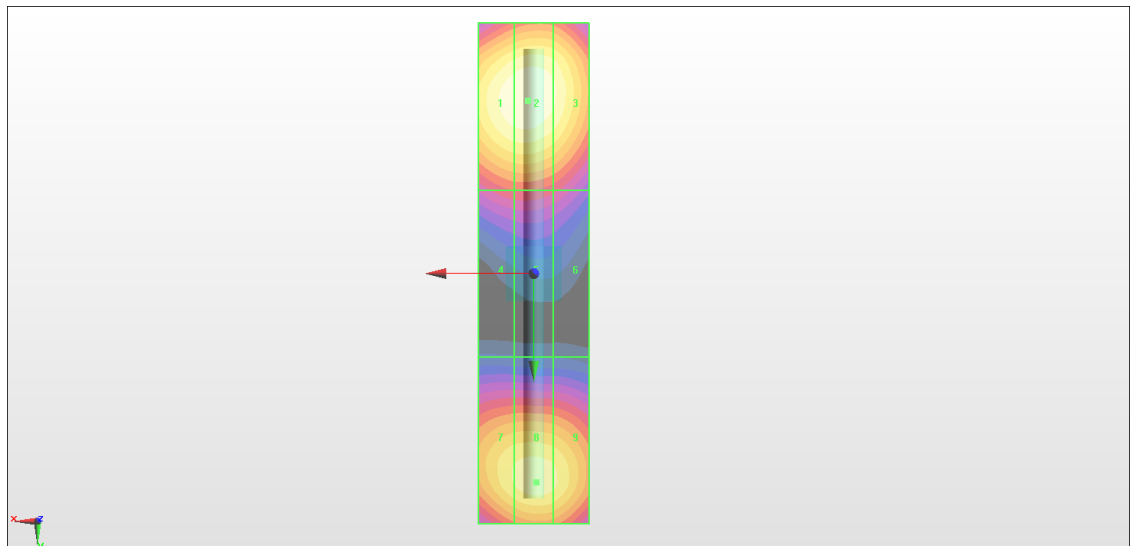
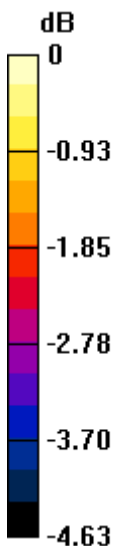
Grid 1 <b>M3</b> <b>88.22 V/m</b>	Grid 2 <b>M3</b> <b>88.90 V/m</b>	Grid 3 <b>M3</b> <b>86.42 V/m</b>
Grid 4 <b>M3</b> <b>69.50 V/m</b>	Grid 5 <b>M3</b> <b>69.69 V/m</b>	Grid 6 <b>M3</b> <b>67.86 V/m</b>
Grid 7 <b>M3</b> <b>83.25 V/m</b>	Grid 8 <b>M3</b> <b>84.64 V/m</b>	Grid 9 <b>M3</b> <b>83.61 V/m</b>

**Cursor:**

Total = 88.90 V/m

E Category: M3

Location: 1, -31, 9.7 mm



0 dB = 88.90 V/m = 38.98 dBV/m

# HAC\_E\_Dipole\_2600

## DUT: HAC Dipole 2600 MHz

Communication System: CW ; Frequency: 2600 MHz;Duty Cycle: 1:1

Medium: Air Medium parameters used:  $\sigma = 0$  S/m,  $\epsilon_r = 1$ ;  $\rho = 0$  kg/m<sup>3</sup>

Ambient Temperature : 23.5 °C

DASY5 Configuration:

- Probe: ER3DV6 - SN2358; ConvF(1, 1, 1); Calibrated: 2018/1/19;
- Sensor-Surface: (Fix Surface)
- Electronics: DAE4 Sn917; Calibrated: 2017/12/14
- Phantom: HAC Test Arch with AMCC; Type: SD HAC P01 BA;
- Measurement SW: DASY52, Version 52.10 (0);SEMCAD X Version 14.6.10 (7417)

### E Scan - measurement distance from the probe sensor center to CD2600 = 10mm & 15mm/Hearing Aid Compatibility Test at 15mm distance (41x181x1): Interpolated grid:

dx=0.5000 mm, dy=0.5000 mm

Device Reference Point: 0, 0, -6.3 mm

Reference Value = 72.59 V/m; Power Drift = 0.01 dB

PMR not calibrated. PMF = 1.000 is applied.

E-field emissions = 92.28 V/m

Average value of Total=(84.35+92.28) / 2 = 88.515 V/m

PMF scaled E-field

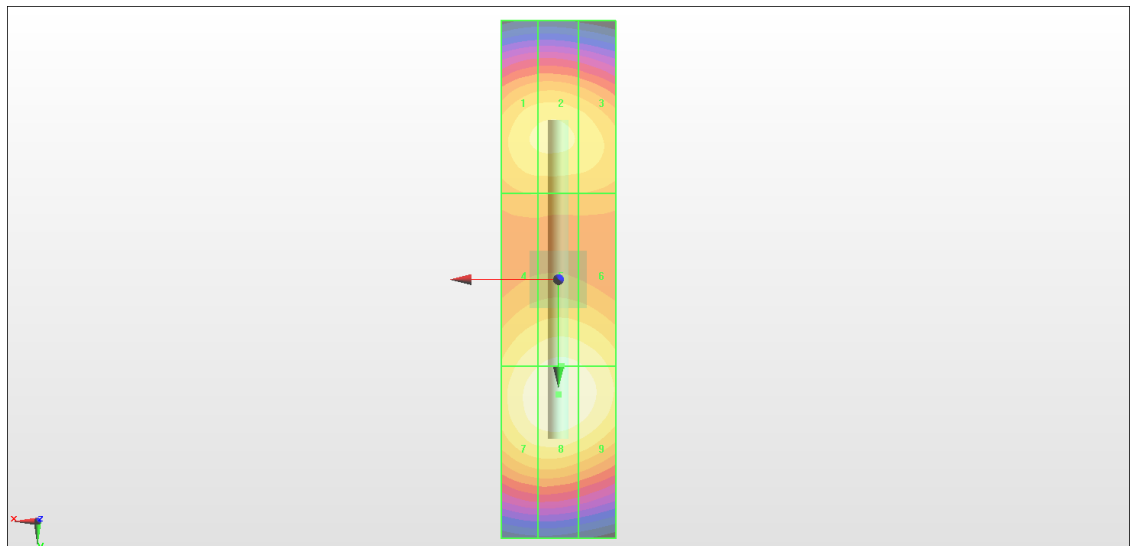
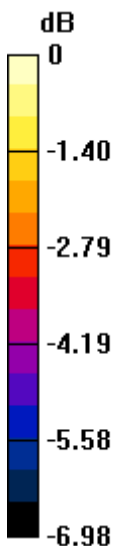
Grid 1 <b>M3</b> <b>83.84 V/m</b>	Grid 2 <b>M3</b> <b>84.35 V/m</b>	Grid 3 <b>M3</b> <b>82.56 V/m</b>
Grid 4 <b>M3</b> <b>87.48 V/m</b>	Grid 5 <b>M3</b> <b>89.17 V/m</b>	Grid 6 <b>M3</b> <b>88.13 V/m</b>
Grid 7 <b>M3</b> <b>90.68 V/m</b>	Grid 8 <b>M3</b> <b>92.28 V/m</b>	Grid 9 <b>M3</b> <b>90.86 V/m</b>

**Cursor:**

Total = 92.28 V/m

E Category: M3

Location: 0, 20, 9.7 mm



0 dB = 92.28 V/m = 39.30 dBV/m