

---

## TEST REPORT FOR HAC RF Emission

---

Report No.: SRTC2020-9004(F)-20122901(J)

Product Name: LTE Digital Mobile Phone

Product Model: Z6251V

Applicant: ZTE Corporation.

Manufacturer: ZTE Corporation.

Specification: FCC Part 20.19

ANSI C63.19

FCC ID: SRQ-Z6251V

The State Radio\_monitoring\_center Testing Center (SRTC)

15th Building, No.30, Shixing Street, Shijingshan District, Beijing, P.R.China

Tel: 86-10-57996183 Fax: 86-10-57996388

## Contents

<b>1 GENERAL INFORMATION .....</b>	<b>2</b>
1.1 Notes of the test report.....	2
1.2 Information about the testing laboratory .....	2
1.3 Applicant’s details.....	2
1.4 Manufacturer’s details .....	2
1.5 Test Environment.....	3
<b>2 DESCRIPTION OF THE DEVICE UNDER TEST .....</b>	<b>4</b>
2.1 Final Equipment Build Status .....	4
2.2 Support Equipment.....	5
<b>3 REFERENCE SPECIFICATION .....</b>	<b>6</b>
<b>4 TEST CONDITIONS.....</b>	<b>7</b>
4.1 Test Signal, Frequencies, and Output Power.....	7
4.2 Device Holder .....	7
4.3 Validation of the system .....	8
4.3.1 System check description .....	8
4.3.2 System validation E-field result .....	9
<b>5 RESULT SUMMAR.....</b>	<b>10</b>
<b>6 AVERAGE ANTENNA INPUT POWER &amp; EVALUATION FOR LOW-POWER EXEMPTION.....</b>	<b>11</b>
<b>7 AIR INTERFACES AND OPERATING MODE.....</b>	<b>12</b>
<b>8 MODULATION INTERFERENCE FACTOR (MIF).....</b>	<b>13</b>
<b>9 HAC RF EMISSIONS TEST PROCEDURE.....</b>	<b>15</b>
<b>10 RF EMISSIONS MEASUREMENT CRITERIA.....</b>	<b>18</b>
<b>11 HAC RF EMISSIONS TEST RESULTS .....</b>	<b>19</b>
<b>12 MEASUREMENT UNCERTAINTY .....</b>	<b>20</b>
<b>13 TEST EQUIPMENTS .....</b>	<b>21</b>
<b>ANNEX A: SYSTEM CHECK .....</b>	<b>23</b>
<b>ANNEX B: TEST PLOT .....</b>	<b>24</b>

## 1 GENERAL INFORMATION

### 1.1 Notes of the test report

The test report may only be reproduced or published in full. Reproduction or publication of extracts from the report requires the prior written permission of The State Radio\_monitoring\_center Testing Center (SRTC).

The test results relate only to individual items of the samples which have been tested.

The certification and accreditation identifiers used in this report shall not be applicable to the tested or calibrated samples thereof. The manufacturer shall not mark the tested samples or items (or a separate part of the item) with the identifiers of certification and accreditation to mislead relevant parties about the tested samples or items.

### 1.2 Information about the testing laboratory

Company:	The State Radio_monitoring_center Testing Center (SRTC)
Address:	15th Building, No.30 Shixing Street, Shijingshan District, Beijing P.R.China
City:	Beijing
Country or Region:	P.R.China
Contacted person:	Liu Jia
Tel:	+86 10 57996183
Fax:	+86 10 57996388
Email:	liujiaf@srtc.org.cn

### 1.3 Applicant's details

Company:	ZTE Corporation.
Address:	ZTE Plaza, Keji Road South, Hi-Tech, Industrial Park, Nanshan District,Shenzhen, Guangdong,P.R.China
City:	Shenzhen
Country or Region:	China
Contacted person:	Gong Yu
Tel:	021-68895397
Fax:	---
Email:	gongyu@zte.com.cn

### 1.4 Manufacturer's details

Company:	ZTE Corporation.
Address:	ZTE Plaza, Keji Road South, Hi-Tech, Industrial Park, Nanshan District,Shenzhen, Guangdong,P.R.China
City:	Shenzhen
Country or Region:	China
Contacted person:	Gong Yu
Tel:	021-68895397
Fax:	---
Email:	gongyu@zte.com.cn

**1.5 Test Environment**

Date of Receipt of test sample at SRTC:	2020-12-29
Testing Start Date:	2020-12-29
Testing End Date:	2021-01-25

Environmental Data:	Temperature(°C)	Humidity (%)
Ambient	22	40

Normal Supply Voltage (V d.c.):	3.82
---------------------------------	------

**2 DESCRIPTION OF THE DEVICE UNDER TEST**

**2.1 Final Equipment Build Status**

Wireless Technology and Frequency Bands	<input checked="" type="checkbox"/> LTE Band: 2/4/5/12/13/66 <input checked="" type="checkbox"/> Bluetooth Band: 2.4GHz <input checked="" type="checkbox"/> Wi-Fi Band: 2.4GHz ,5GHz(U-NII-1,U-NII-3)
Mode	<p>GSM</p> <input type="checkbox"/> Voice (GMSK) <input type="checkbox"/> GPRS (GMSK) <input type="checkbox"/> EGPRS (GMSK/8PSK) <p>WCDMA</p> <input type="checkbox"/> UMTS Rel. 99 (Voice & Data) <input type="checkbox"/> HSDPA (Rel. 5) <input type="checkbox"/> HSUPA (Rel. 6) <input type="checkbox"/> HSPA+ (Rel.7 ) <input type="checkbox"/> DC-HSDPA (Rel.8 ) <p>Wi-Fi (802.11b/g/n/ac)</p> <input checked="" type="checkbox"/> 802.11a <input checked="" type="checkbox"/> 802.11b <input checked="" type="checkbox"/> 802.11g <input checked="" type="checkbox"/> 802.11n (20MHz) <input type="checkbox"/> 802.11n (40MHz) <input checked="" type="checkbox"/> 802.11ac (20MHz) <input checked="" type="checkbox"/> 802.11ac (40MHz) <input checked="" type="checkbox"/> 802.11ac (80MHz) <input type="checkbox"/> 802.11ac (160MHz) <p>Bluetooth</p> <input checked="" type="checkbox"/> BR(GFSK) <input checked="" type="checkbox"/> EDR( $\pi/4$ DQPSK , 8-DPSK) <input checked="" type="checkbox"/> BLE(GFSK) <p>LTE</p> <input checked="" type="checkbox"/> QPSK <input checked="" type="checkbox"/> 16QAM <input checked="" type="checkbox"/> 64QAM

## 2.2 Support Equipment

The following support equipment was used to exercise the DUT during testing:

H/W Version	Z6251VHW1.0
S/W Version	Z6251VV1.0.0B01
IMEI	861381050002676
Normal	operation
Back	The Back Cover is not removable
Notes	---
Equipment	Battery 1
Manufacturer	Jiade Energy Technology (Zhuhai) Co., Ltd.
Model Number	Li3839T44P8h866445
Equipment	Charger 1
Manufacturer	SHENZHEN RUIJING INDUSTRIAL CO LTD
Model Number	STC-A520A-Z
Equipment	Charger 2
Manufacturer	Jiangsu Chenyang Electron Co.,Ltd.
Model Number	STC-A520A-Z
Equipment	USB Cable 1
Manufacturer	Dongguan Kingpower Electronics Co.,Ltd.
Model Number	USB-TC20-W-100-M-L
Equipment	USB Cable 2
Manufacturer	Guangdong Luxshare Ltd. Co
Model Number	USB-TC20-W-100-M-L

**3 REFERENCE SPECIFICATION**

Specification	Version	Title
Part 20.19	2019	Hearing aid-compatible mobile handsets.
C63.19	2011	American National Standard Methods of Measurement of Compatibility between Wireless Communications Devices and Hearing Aids
285076 D01	v05r01 2020	EQUIPMENT AUTHORIZATION GUIDANCE FOR HEARING AID COMPATIBILITY

## **4 TEST CONDITIONS**

### **4.1 Test Signal, Frequencies, and Output Power**

The transmitter of the device was put into operation by using a call tester communications between the device and the call tester were established by air link.

For all tests the device output power was set to maximum power level; a fully charged battery was used for every test sequence.

The measurements were performed on low, middle, high channels.

### **4.2 Device Holder**

The Device Holder and Test Arch are manufactured by Speag, Test arch is used for all tests i.e. for both validation testing and device testing. The holder and test arch conforms to requirements of ANSI C63.19.

The SPEAG device holder was used to position the test device in all tests.



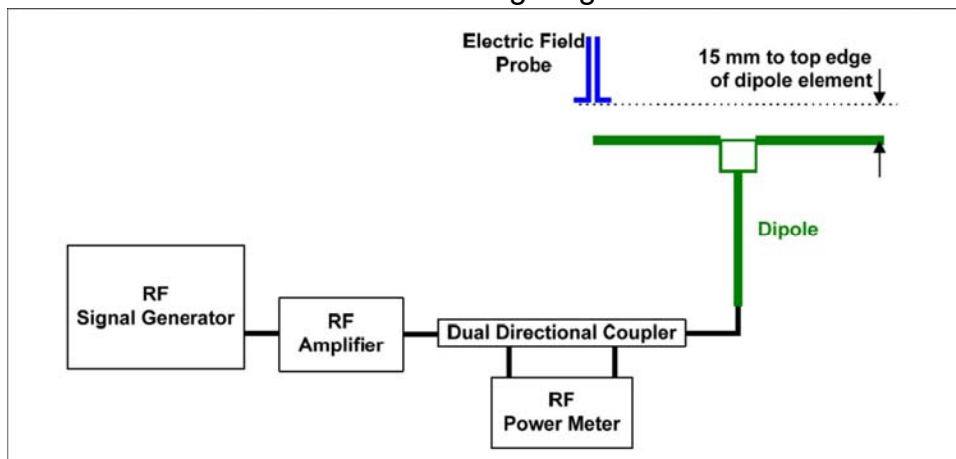


## 4.3 Validation of the system

### 4.3.1 System check description

The input signal was an unmodulated continuous wave. The following points were taken into consideration in performing this check :

- Average Input Power  $P=100\text{mW RMS}(20\text{dBm RMS})$  after adjustment for return loss
- The test fixture must meet the 2 wavelength separation criterion
- The proper measurement of the 15 mm probe to dipole separation , which is measured from top surface of the dipole to the calibration reference point of the sensor , defined by probe manufacturer is shown in the following diagram:



Separation distance from dipole to field-probe

Scan the length of the dipole with the E-field probe and record the two maximum values found near the dipole ends. Average the two readings and compare the reading to the expected value in the calibration certificate or the expected value in this standard.

### 4.3.2 System validation E-field result




Date	f(MHz)	Input power (mW)	Max. measured from		Average	E-field Target Values (From SPEAG)	Deviation (%)
			E-Field above high end (V/m)	E-Field above low end (V/m)	V/m	V/m	
2020/12/30	2450	100	91.41	82.89	87.15	85.0	2.5

**Notes:**

- 1) Deviation = ((Average E-field Value) – (Target value)) / (Target value) \* 100%. Deltas within ±25% are acceptable, of which 12% is deviation and 13% is measurement uncertainty.
- 2) The maximum E-field was evaluated and compared to the target values provided by SPEAG in the calibration certificate of specific dipoles.
- 3) dBV/m convert to V/m for example :  $39.22 \text{ dBV/m} = 10^{(39.22/20)} = 91.41 \text{ V/m}$
- 4) Please refer to the appendix for detailed measurement data and plots. Plots of the system validation scans are given in Appendix A

**5 RESULT SUMMAR**

Band	E-Field M Rating	Pass/Fail
WIFI2.4GHz 802.11b/g	M4	PASS
FDD-LTE(Band 2/4/5/12/13/66) WIFI2.4GHz(802.11n) WIFI5GHz(802.11a/n/ac)	These applicable air-interfaces are exempt from testing in accordance with C63.19 Clause 4.4 and rated M4.	PASS
<b>Final M Category</b>	<b>M4</b>	<b>PASS</b>

This Test Report Is Issued by: Mr. Peng Zhen 	Checked by: Mr. Li Bin 
Tested by: Mr. Tong Daocheng 	Issued date:  20210127

## 6 AVERAGE ANTENNA INPUT POWER & EVALUATION FOR LOW-POWER EXEMPTION

Full power without any sensor scheme active (adjust to tune up tolerance)

Air-Interface	Max Interface Average Antenna Input Power (dBm)	Worst Case MIF (dB)	Input Power plus its MIF (dBm)	HAC Tested
LTE Band 2	24.5	-9.76	14.74	No
LTE Band 4	24.5	-9.76	14.74	No
LTE Band 5	24.5	-9.76	14.74	No
LTE Band 12	24.5	-9.76	14.74	No
LTE Band 13	24.5	-9.76	14.74	No
LTE Band 66	24.5	-9.76	14.74	No
<b>802.11b 2.4GHz</b>	<b>21.5</b>	<b>-2.02</b>	<b>19.48</b>	<b>Yes</b>
<b>802.11g 2.4GHz</b>	<b>20.0</b>	<b>0.12</b>	<b>20.12</b>	<b>Yes</b>
802.11n-HT20 2.4GHz	19.0	-5.61	13.39	No
802.11a 5GHz	20.0	-3.15	16.85	NO
802.11n-HT20 5GHz	20.0	-5.61	14.39	No
802.11n-HT40 5GHz	20.0	-5.59	14.41	No
802.11ac-VHT20 5GHz	19.5	-5.60	13.9	No
802.11ac-VHT40 5GHz	19.0	-5.57	13.43	No
802.11ac-VHT80 5GHz	19.5	-5.64	13.86	No

Note:

1): According to ANSI C63.19, a device is exempt from testing when its average antenna input power plus its MIF is  $\leq 17$  dBm for any of its operating modes. If a device supports multiple RF air interfaces, each RF air interface shall be evaluated individually.

2): HAC RF rating is M4 for the air interface which meets the low power exemption.

## 7 AIR INTERFACES AND OPERATING MODE

Air interface	Bands (MHz)	Type	ANSI C63.19 Tested	Simultaneous Transmitter	Voice Service	Power Reduction
LTE (FDD)	Band2/4/5/12/13/66	VO	YES	WLAN, BT	VoLTE	NA
	Band2/4/5/12/13/66	VD	YES	WLAN, BT	Google duo	NA
WLAN	2.4GHz	VO	YES	WWAN	VoWiFi	NA
	5GHz(U-NII-1)			WWAN,BT		NA
	5GHz(U-NII-3)			NA		
	2.4GHz	VD	YES	WWAN	Google duo	NA
	5GHz(U-NII-1)			WWAN,BT		NA
	5GHz(U-NII-3)			NA		
BT	2.4G	DT	No	WWAN, WLAN	NA	NA

### Abbreviation Type

VO=CMRS Voice Service

DT = Digital Transport only

VD= IP Voice Service over Digital Transport

BT=Bluetooth (include BLE)

## **8 MODULATION INTERFERENCE FACTOR (MIF)**

The HAC Standard ANSI C63.19 defines a new scaling using the Modulation Interference Factor (MIF) which replaces the need for the Articulation Weighting Factor (AWF) during the evaluation and is applicable to any modulation scheme.

The Modulation Interference factor (MIF, in dB) is added to the measured average E-field (in dBV/m) and converts it to the RF Audio Interference level (in dBV/m). This level considers the audible amplitude modulation components in the RF E-field. CW fields without amplitude modulation are assumed to not interfere with the hearing aid electronics. Modulations without time slots and low fluctuations at low frequencies have low MIF values, TDMA modulations with narrow transmission and repetition rates of few 100 Hz have high MIF values and give similar classifications as ANSI C63-19. Definitions ER3D, E-field probes have a bandwidth <10 kHz and can therefore not evaluate the RF envelope in the full audio band. DASY52 is therefore using the “indirect” measurement method according to ANSI C63.19 which is the primary method. These near field probes read the averaged E-field measurement. Especially for the new high peak-to-average (PAR) signal types, the probes shall be linearized by probe modulation response (PMR) calibration in order to not overestimate the field reading.

The evaluation method or the MIF is defined in ANSI C63.19 section D.7. An RMS demodulated RF signal is fed to a spectral filter (similar to an A weighting filter) and forwarded to a temporal filter acting as a quasi-peak detector. The averaged output of these filtering is called to a 1 kHz 80% AM signal as reference. MIF measurement requires additional instrumentation and is not well suited for evaluation by the end user with reasonable uncertainty. It may alternatively be determined through analysis and simulation, because it is constraint and characteristic for a communication signal. DASY52 uses well defined signals for PMR calibration. The MIF of these signals has been determined by simulation and is automatically applied.

MIF values were not tested by a probe or as specified in the standards but are based on analysis provided by SPEAG for all the air interfaces (GSM, WCDMA, CDMA, LTE, WIFI).

MIF values applied in this test report were provided by the HAC equipment provider of SPEAG, and the values for all air interfaces are listed below to determine the Low-power Exemption.

SPEAG test files		
UID	Communication system name	MIF(dB)
10170	LTE-FDD (SC-FDMA, 1 RB, 20 MHz, 16-QAM)	-9.76
10182	LTE-FDD (SC-FDMA, 1 RB, 15 MHz, 16-QAM)	-9.76
10176	LTE-FDD (SC-FDMA, 1 RB, 10 MHz, 16-QAM)	-9.76
10061	IEEE 802.11b WiFi 2.4 GHz (DSSS, 11 Mbps)	-2.02
10069	IEEE 802.11a/h WiFi 5 GHz (OFDM, 54 Mbps)	-3.15
10077	IEEE 802.11g WiFi 2.4 GHz (DSSS/OFDM, 54 Mbps)	0.12
10591	IEEE 802.11n (HT Mixed, 20MHz, MCS0, 90pc duty cycle)	-5.59
10599	IEEE 802.11n (HT Mixed, 40MHz, MCS0, 90pc duty cycle)	-5.59
10607	IEEE 802.11ac WiFi (20MHz, MCS0, 90pc duty cycle)	-5.60
10616	IEEE 802.11ac WiFi (40MHz, MCS0, 90pc duty cycle)	-5.57
10626	IEEE 802.11ac WiFi (80MHz, MCS0, 90pc duty cycle)	-5.64

**Note:** The nominal MIF values for PMR calibration waveforms has been determined from sampled RF signals with numerical evaluation. AIA measurements were used to verify these results. The correlation allows to quantify the uncertainty of the nominal MIF: **0.2 dB for MIF in the range -7 to +5 dB**, 0.5 dB in the range -13 to +11 dB, 1.0 dB for MIF > -20 dB. Modulation with low MIF, low modulation frequency (< 50 Hz) or high dynamic range (PAR > 10 dB) result in higher uncertainties for the measurement.

## **9 HAC RF EMISSIONS TEST PROCEDURE**

The following are step-by-step test procedures.

- a) Confirm proper operation of the field probe, probe measurement system and other instrumentation and the positioning system.
- b) Position the WD in its intended test position.
- c) Set the WD to transmit a fixed and repeatable combination of signal power and modulation characteristic that is representative of the worst case (highest interference potential) encountered in normal use. Transiently occurring start-up, changeover, or termination conditions, or other operations likely to occur less than 1% of the time during normal operation, may be excluded from consideration.
- d) The center sub-grid shall be centered on the T-Coil mode perpendicular measurement point or the acoustic output, as appropriate. Locate the field probe at the initial test position in the 50 mm by 50 mm grid, which is contained in the measurement plane, refer to illustrated in Figure 1. If the field alignment method is used, align the probe for maximum field reception.
- e) Record the reading at the output of the measurement system
- f) Scan the entire 50 mm by 50 mm region in equally spaced increments and record the reading at each measurement point. The distance between measurement points shall be sufficient to assure the identification of the maximum reading.
- g) Identify the five contiguous sub-grids around the center sub-grid whose maximum reading is the lowest of all available choices. This eliminates the three sub-grids with the maximum readings. Thus, the six areas to be used to determine the WD's highest emissions are identified.
- h) Identify the maximum reading within the non-excluded sub-grids identified in step g).
- i) Convert the highest field reading within identified in step h) to RF audio interference level, in V/m, by taking the square root of the reading and then dividing it by the measurement system transfer function, established in 5.5.1.1 Convert this result to dB(V/m) by taking the base-10 logarithm and multiplying by 20.

Indirect measurement method

Replacing step i), the RF audio interference level in dB (V/m) is obtained by adding the MIF (in dB) to the maximum steady-state rms field-strength reading, in dB (V/m), from step h).

Use this result to determine the category rating

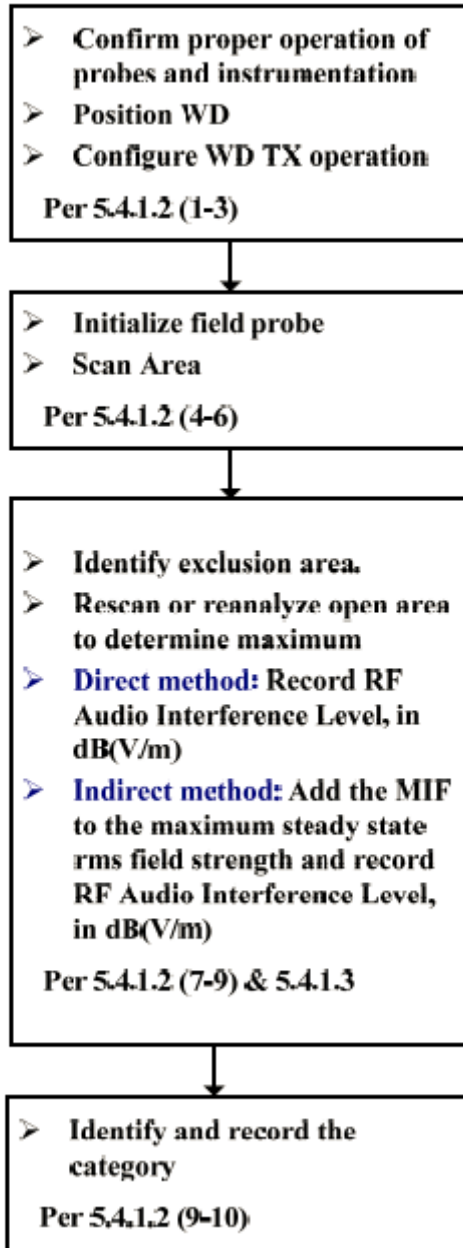
- j) Compare this RF audio interference level with the categories in Clause 8 (ANSI C63.19) and record the resulting WD category rating
- k) For the T-Coil mode M-rating assessment, determine whether the chosen perpendicular measurement point is contained in an included sub-grid of the first scan. If so, then a second scan is not necessary. The first scan and resultant category rating may be used for the T-Coil mode M rating.





WD reference and plane for RF emission measurements

### Test Instructions



Test flowchart Per ANSI-C63.19

**10 RF EMISSIONS MEASUREMENT CRITERIA**

WD RF audio interference level categories in logarithmic units

<b>Emission categories</b>	<b>&lt;960 MHz</b>	
	<b>E-field emissions</b>	
Category M1	50 to 55	dB (V/m)
Category M2	45 to 50	dB (V/m)
Category M3	40 to 45	dB (V/m)
Category M4	<40	dB (V/m)

<b>Emission categories</b>	<b>&gt;960 MHz</b>	
	<b>E-field emissions</b>	
Category M1	40 to 45	dB (V/m)
Category M2	35 to 40	dB (V/m)
Category M3	30 to 35	dB (V/m)
Category M4	<30	dB (V/m)

## 11 HAC RF EMISSIONS TEST RESULTS

Air-interface	Mode	Channel	E-Field (dBV/m)	E-Field plus 0.2db measurement Uncertainty (dBV/m)*	M-Rating
802.11b	WiFi 2.4 GHz (DSSS, 11 Mbps)	128	25.06	25.26	M4
		189	26.34	26.54	M4
		251	24.23	24.43	M4
802.11g	WiFi 2.4 GHz (OFDM, 54Mbps)	512	26.25	26.45	M4
		661	27.18	27.38	M4
		810	24.92	25.12	M4

### Note:

1): The following MIF values used for each communication system in this report, and 0.2 dB uncertainty for MIF in the range -7 to +5 dB

Mode	MIF
WiFi 2.4 GHz (DSSS, 11 Mbps)	-2.02
WiFi 2.4 GHz (OFDM, 54Mbps)	0.12

2): The HAC measurement system applies MIF value onto the measured RMS E-field, which is indirect method in ANSI C63.19 version, and reports the RF audio interference level.

3): Phone Condition: Mute on; Backlight off; Max Volume.

## 12 MEASUREMENT UNCERTAINTY

<b>HAC Uncertainty Budget</b> According to ANSI C63.19 [1], [2]							
Error Description	Uncert. value	Prob. Dist.	Div.	(c <sub>1</sub> ) E	(c <sub>1</sub> ) H	Std. Unc. E	Std. Unc. H
<b>Measurement System</b>							
Probe Calibration	±5.1 %	N	1	1	1	±5.1 %	±5.1 %
Axial Isotropy	±4.7 %	R	√3	1	1	±2.7 %	±2.7 %
Sensor Displacement	±16.5 %	R	√3	1	0.145	±9.5 %	±1.4 %
Boundary Effects	±2.4 %	R	√3	1	1	±1.4 %	±1.4 %
Phantom Boundary Effect	±7.2 %	R	√3	1	0	±4.1 %	±0.0 %
Linearity	±4.7 %	R	√3	1	1	±2.7 %	±2.7 %
Scaling with PMR calibration	±10.0 %	R	√3	1	1	±5.8 %	±5.8 %
System Detection Limit	±1.0 %	R	√3	1	1	±0.6 %	±0.6 %
Readout Electronics	±0.3 %	N	1	1	1	±0.3 %	±0.3 %
Response Time	±0.8 %	R	√3	1	1	±0.5 %	±0.5 %
Integration Time	±2.6 %	R	√3	1	1	±1.5 %	±1.5 %
RF Ambient Conditions	±3.0 %	R	√3	1	1	±1.7 %	±1.7 %
RF Reflections	±12.0 %	R	√3	1	1	±6.9 %	±6.9 %
Probe Positioner	±1.2 %	R	√3	1	0.67	±0.7 %	±0.5 %
Probe Positioning	±4.7 %	R	√3	1	0.67	±2.7 %	±1.8 %
Extrap. and Interpolation	±1.0 %	R	√3	1	1	±0.6 %	±0.6 %
<b>Test Sample Related</b>							
Device Positioning Vertical	±4.7 %	R	√3	1	0.67	±2.7 %	±1.8 %
Device Positioning Lateral	±1.0 %	R	√3	1	1	±0.6 %	±0.6 %
Device Holder and Phantom	±2.4 %	R	√3	1	1	±1.4 %	±1.4 %
Power Drift	±5.0 %	R	√3	1	1	±2.9 %	±2.9 %
<b>Phantom and Setup Related</b>							
Phantom Thickness	±2.4 %	R	√3	1	0.67	±1.4 %	±0.9 %
Combined Std. Uncertainty						±16.3 %	±12.3 %
Expanded Std. Uncertainty on Power						±32.6 %	±24.6 %
Expanded Std. Uncertainty on Field						±16.3 %	±12.3 %

### **13 TEST EQUIPMENTS**

The measurements were performed using an automated near-field scanning system, DASY5, manufactured by Schmid & Partner Engineering AG (SPEAG) in Switzerland.

The following table lists calibration dates of SPEAG components:

Test equipment	Model	S/N	Cal Date	Cal Due Date
DAE	DAE 4	720	2020.09.30	2021.09.29
E-field probe	ER3DV6	2368	2020.10.23	2021.10.22
Dipole	CD2450V3	1069	2020.10.23	2021.10.22

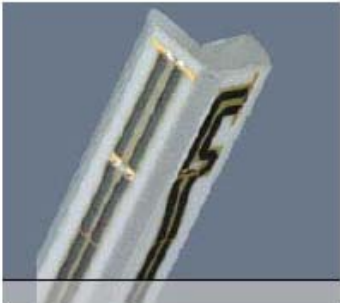
Additional test equipment used in testing and validation:

Test equipment	Model	S/N	Cal Date	Cal Due Date
Signal generator	E4428C	MY45280865	2020.08.20	2021.08.19
Power meter	E4417A	MY45101004	2020.08.20	2021.08.19
Power sensor	E9300B	MY41496001	2020.08.20	2021.08.19
Power sensor	E9300B	MY41496003	2020.08.20	2021.08.19

**Test Arch Phantom**

The specially designed Test Arch allows high precision positioning of both the device and any of the validation dipoles.

**ER3DV6 E-Field Probe Description**

Construction:	One dipole parallel, two dipoles normal to probe axis .Built-in shielding against static charges PEEK enclosure material
Calibration:	In air from 100 MHz to 3.0 GHz (absolute accuracy $\pm 6.0\%$ , k=2)
Frequency:	100 MHz to > 6 GHz; Linearity: $\pm 0.2$ dB (100 MHz to 3 GHz)
Directivity	$\pm 0.2$ dB in air (rotation around probe axis) $\pm 0.4$ dB in air (rotation normal to probe axis)
Dynamic Range:	2 V/m to > 1000 V/m (M3 or better device readings fall well below diode compression point)
Linearity:	$\pm 0.2$ dB
Dimensions	Overall length:330 mm (Tip: 16 mm) Tip diameter: 8 mm (Body: 12 mm) Distance from probe tip to dipole centers: 2.5 mm
Application:	General near-field measurements up to 6GHz Field component measurements Fast automatic scanning in phantoms
E-field Free-space probe	

**ANNEX A: SYSTEM CHECK**

**System validation 2450MHz**

Communication System: UID 0, CW (0); Frequency: 2450 MHz;  
Medium parameters used:  $\sigma = 0$  S/m,  $\epsilon_r = 1$ ;  $\rho = 0$  kg/m<sup>3</sup>  
Phantom section: RF Section

DASY5 Configuration:

- Probe: ER3DV6 - SN2368; ConvF(1, 1, 1); Calibrated: 2020/10/23;
- Sensor-Surface: (Fix Surface)
- Electronics: DAE4 Sn720; Calibrated: 2020/9/30
- Phantom: HAC Test Arch; Type: SD HAC P01 BA;
- Measurement SW: DASY52, Version 52.8 (8); SEMCAD X Version 14.6.10 (7373)

**system check 2450MHz/E Scan - measurement distance from the probe sensor center to CD2450 15mm/Hearing Aid Compatibility Test at 15mm distance (41x181x1):** Interpolated grid: dx=0.5000 mm, dy=0.5000 mm

Device Reference Point: 0, 0, -6.3 mm  
Reference Value = 84.90 V/m; Power Drift = -0.04 dB  
RF audio interference level = 38.89 dBV/m

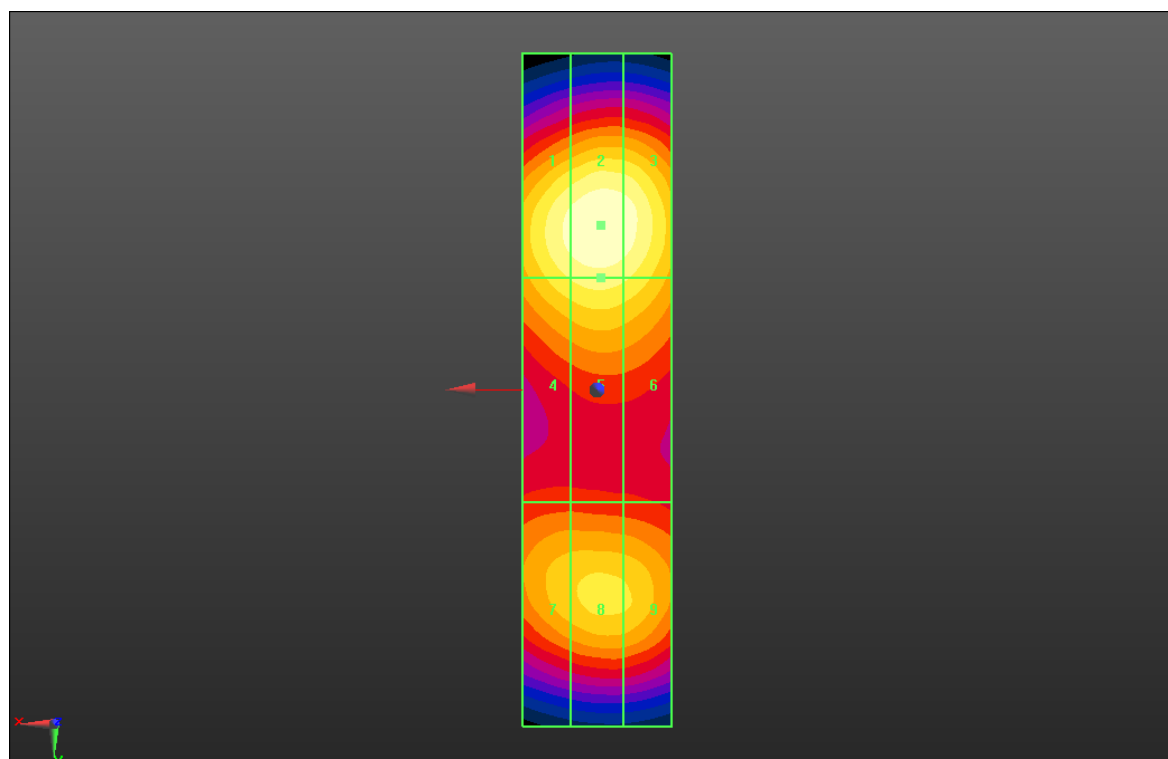
**Emission category: M2**

MIF scaled E-field

Grid 1 <b>M2</b> <b>39.13</b> dBV/m	Grid 2 <b>M2</b> <b>39.22</b> dBV/m	Grid 3 <b>M2</b> <b>39.15</b> dBV/m
Grid 4 <b>M2</b> <b>38.73</b> dBV/m	Grid 5 <b>M2</b> <b>38.89</b> dBV/m	Grid 6 <b>M2</b> <b>38.78</b> dBV/m
Grid 7 <b>M2</b> <b>38.37</b> dBV/m	Grid 8 <b>M2</b> <b>38.45</b> dBV/m	Grid 9 <b>M2</b> <b>38.43</b> dBV/m

**Cursor:**

Total = 39.22 dBV/m  
E Category: M2  
Location: -0.5, -22, 9.7 mm





**ANNEX B: TEST PLOT**

**WIFI 2.4G 802.11b**

Communication System: UID 0, WIFI 2.4GHz (0); Frequency: 2412 MHz;  
Medium parameters used:  $\sigma = 0$  S/m,  $\epsilon_r = 1$ ;  $\rho = 0$  kg/m<sup>3</sup>  
Phantom section: RF Section

DASY5 Configuration:

- Probe: ER3DV6 - SN2368; ConvF(1, 1, 1); Calibrated: 2020/10/23;
- Sensor-Surface: (Fix Surface)
- Electronics: DAE4 Sn720; Calibrated: 2020/9/30
- Phantom: HAC Test Arch; Type: SD HAC P01 BA;
- Measurement SW: DASY52, Version 52.8 (8); SEMCAD X Version 14.6.10 (7373)

**Device E-Field measurement (E-field scan for ANSI C63.192011 compliance)/E Scan - ER3D: 15 mm from Probe Center to the Device WIFI2.4GHz 802.11b L/Hearing Aid Compatibility Test (121x121x1):** Interpolated grid: dx=0.4166 mm, dy=0.4166 mm

Device Reference Point: 0, 0, -6.3 mm  
Reference Value = 20.89 V/m; Power Drift = 0.11 dB

Applied MIF = -2.02 dB

RF audio interference level = 22.72 dBV/m

**Emission category: M4**

MIF scaled E-field

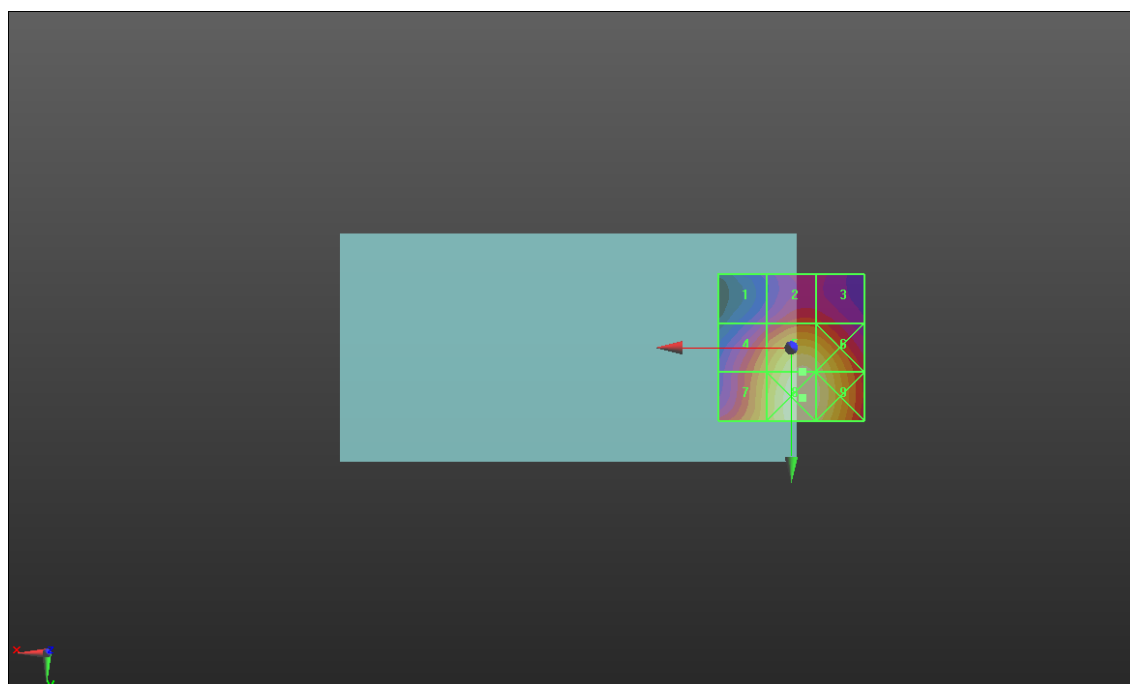
Grid 1 M4 18.07 dBV/m	Grid 2 M4 19.79 dBV/m	Grid 3 M4 19.64 dBV/m
Grid 4 M4 21.19 dBV/m	Grid 5 M4 22.72 dBV/m	Grid 6 M4 22.47 dBV/m
Grid 7 M4 21.69 dBV/m	Grid 8 M4 22.99 dBV/m	Grid 9 M4 22.74 dBV/m

**Cursor:**

Total = 22.99 dBV/m

E Category: M4

Location: -3.7, 17.1, 8.7 mm



**WIFI 2.4G 802.11b**

Communication System: UID 0, WIFI 2.4GHz (0); Frequency: 2437 MHz;  
Medium parameters used:  $\sigma = 0$  S/m,  $\epsilon_r = 1$ ;  $\rho = 0$  kg/m<sup>3</sup>  
Phantom section: RF Section

DASY5 Configuration:

- Probe: ER3DV6 - SN2368; ConvF(1, 1, 1); Calibrated: 2020/10/23;
- Sensor-Surface: (Fix Surface)
- Electronics: DAE4 Sn720; Calibrated: 2020/9/30
- Phantom: HAC Test Arch; Type: SD HAC P01 BA;
- Measurement SW: DASY52, Version 52.8 (8); SEMCAD X Version 14.6.10 (7373)

**Device E-Field measurement (E-field scan for ANSI C63.192011 compliance)/E Scan - ER3D: 15 mm from Probe Center to the Device WIFI2.4GHz 802.11b M/Hearing Aid Compatibility Test (121x121x1):** Interpolated grid: dx=0.4166 mm, dy=0.4166 mm

Device Reference Point: 0, 0, -6.3 mm

Reference Value = 16.77 V/m; Power Drift = 0.14 dB

Applied MIF = -2.02 dB

RF audio interference level = 23.08 dBV/m

**Emission category: M4**

MIF scaled E-field

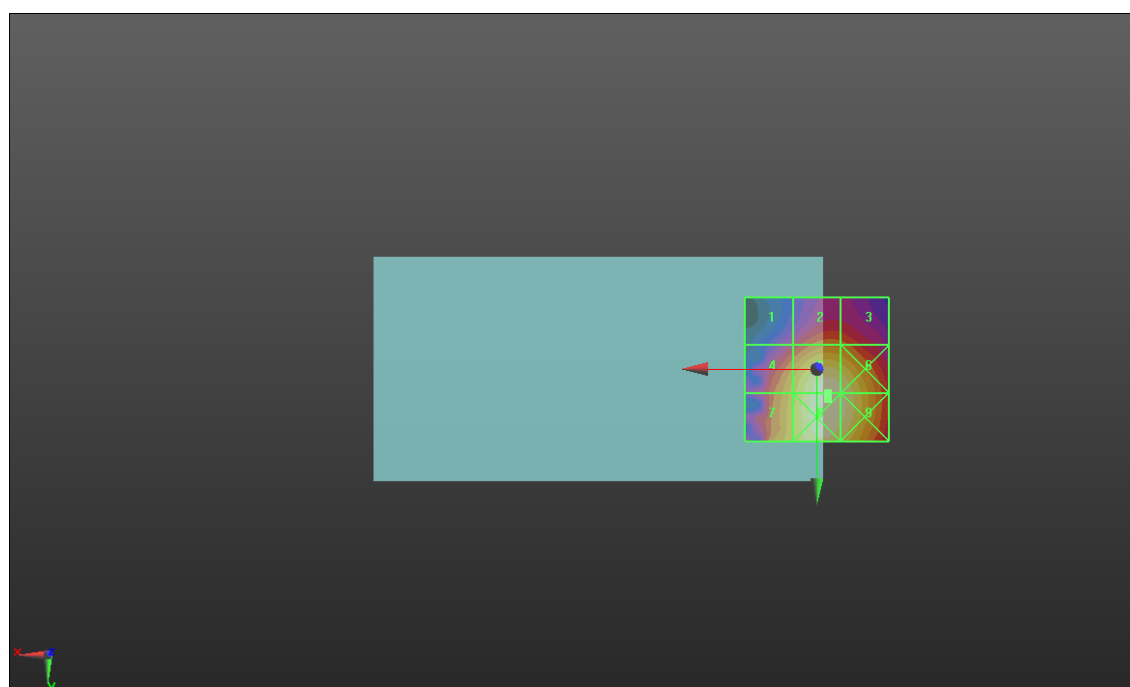
Grid 1 <b>M4</b> <b>19.02 dBV/m</b>	Grid 2 <b>M4</b> <b>20.65 dBV/m</b>	Grid 3 <b>M4</b> <b>20.5 dBV/m</b>
Grid 4 <b>M4</b> <b>21.56 dBV/m</b>	Grid 5 <b>M4</b> <b>23.08 dBV/m</b>	Grid 6 <b>M4</b> <b>22.87 dBV/m</b>
Grid 7 <b>M4</b> <b>21.72 dBV/m</b>	Grid 8 <b>M4</b> <b>23.12 dBV/m</b>	Grid 9 <b>M4</b> <b>22.91 dBV/m</b>

**Cursor:**

Total = 23.12 dBV/m

E Category: M4

Location: -3.7, 10.4, 8.7 mm



**WIFI 2.4G 802.11b**

Communication System: UID 0, WIFI 2.4GHz (0); Frequency: 2462 MHz;  
Medium parameters used:  $\sigma = 0$  S/m,  $\epsilon_r = 1$ ;  $\rho = 0$  kg/m<sup>3</sup>  
Phantom section: RF Section

DASY5 Configuration:

- Probe: ER3DV6 - SN2368; ConvF(1, 1, 1); Calibrated: 2020/10/23;
- Sensor-Surface: (Fix Surface)
- Electronics: DAE4 Sn720; Calibrated: 2020/9/30
- Phantom: HAC Test Arch; Type: SD HAC P01 BA;
- Measurement SW: DASY52, Version 52.8 (8); SEMCAD X Version 14.6.10 (7373)

**Device E-Field measurement (E-field scan for ANSI C63.192011 compliance)/E Scan - ER3D: 15 mm from Probe Center to the Device WIFI2.4GHz 802.11b H/Hearing Aid Compatibility Test (121x121x1): Interpolated grid: dx=0.4166 mm, dy=0.4166 mm**

Device Reference Point: 0, 0, -6.3 mm

Reference Value = 23.65 V/m; Power Drift = -0.05 dB

Applied MIF = -2.02 dB

RF audio interference level = 23.34 dBV/m

**Emission category: M4**

MIF scaled E-field

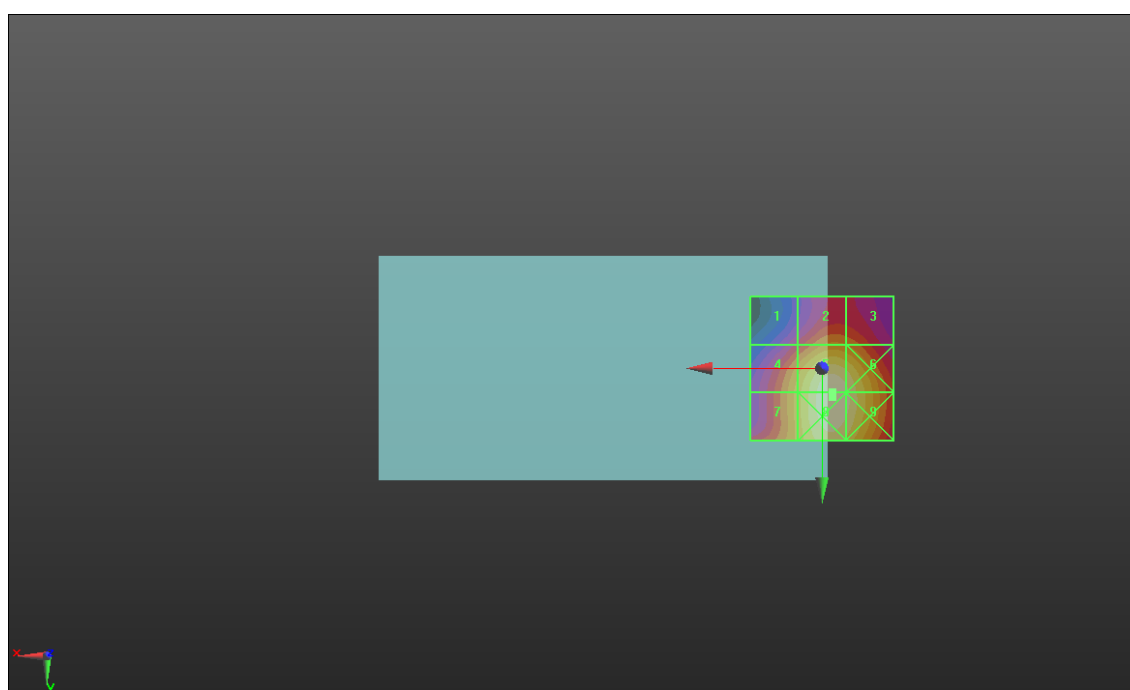
Grid 1 M4 19.32 dBV/m	Grid 2 M4 21.08 dBV/m	Grid 3 M4 20.91 dBV/m
Grid 4 M4 21.79 dBV/m	Grid 5 M4 23.34 dBV/m	Grid 6 M4 23.07 dBV/m
Grid 7 M4 21.81 dBV/m	Grid 8 M4 23.37 dBV/m	Grid 9 M4 23.1 dBV/m

**Cursor:**

Total = 23.37 dBV/m

E Category: M4

Location: -3.7, 10, 8.7 mm



**WIFI 2.4G 802.11g**

Communication System: UID 0, WIFI 2.4GHz (0); Frequency: 2412 MHz;  
Medium parameters used:  $\sigma = 0$  S/m,  $\epsilon_r = 1$ ;  $\rho = 0$  kg/m<sup>3</sup>  
Phantom section: RF Section

DASY5 Configuration:

- Probe: ER3DV6 - SN2368; ConvF(1, 1, 1); Calibrated: 2020/10/23;
- Sensor-Surface: (Fix Surface)
- Electronics: DAE4 Sn720; Calibrated: 2020/9/30
- Phantom: HAC Test Arch; Type: SD HAC P01 BA;
- Measurement SW: DASY52, Version 52.8 (8); SEMCAD X Version 14.6.10 (7373)

**Device E-Field measurement (E-field scan for ANSI C63.192011 compliance)/E Scan - ER3D: 15 mm from Probe Center to the Device WIFI2.4GHz 802.11g L/Hearing Aid Compatibility Test (121x121x1):** Interpolated grid: dx=0.4166 mm, dy=0.4166 mm

Device Reference Point: 0, 0, -6.3 mm

Reference Value = 17.00 V/m; Power Drift = 1.48 dB

Applied MIF = 0.12 dB

RF audio interference level = 24.46 dBV/m

**Emission category: M4**

MIF scaled E-field

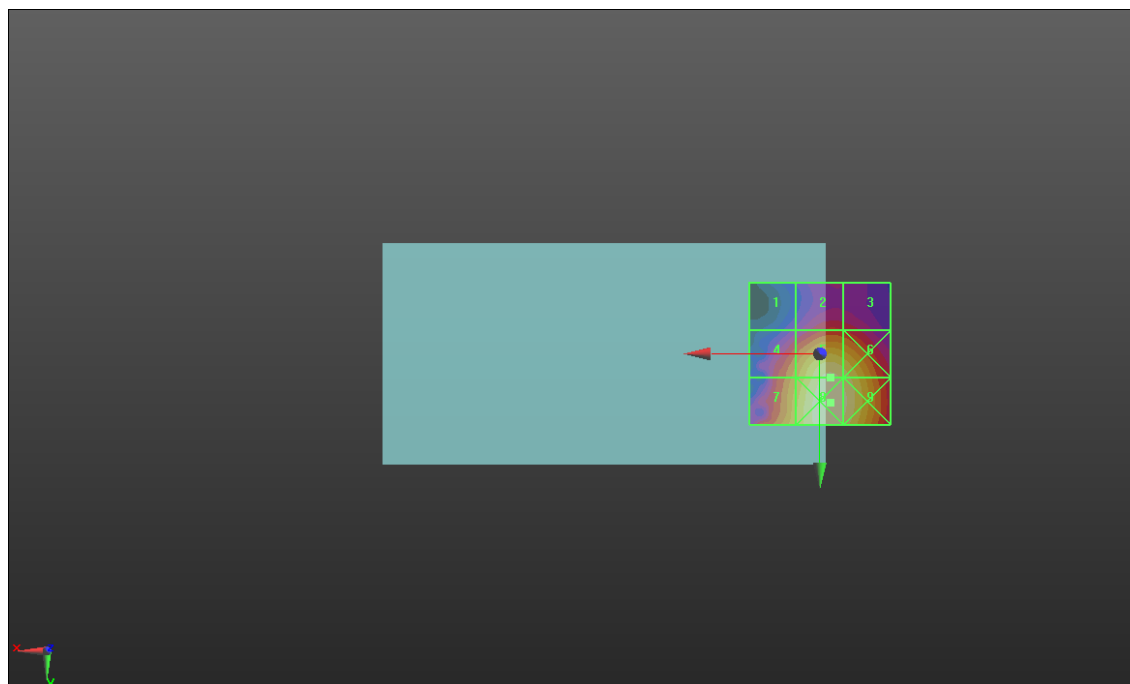
Grid 1 <b>M4</b> <b>19.53 dBV/m</b>	Grid 2 <b>M4</b> <b>21.41 dBV/m</b>	Grid 3 <b>M4</b> <b>21.19 dBV/m</b>
Grid 4 <b>M4</b> <b>22.75 dBV/m</b>	Grid 5 <b>M4</b> <b>24.46 dBV/m</b>	Grid 6 <b>M4</b> <b>24.16 dBV/m</b>
Grid 7 <b>M4</b> <b>23.43 dBV/m</b>	Grid 8 <b>M4</b> <b>24.74 dBV/m</b>	Grid 9 <b>M4</b> <b>24.46 dBV/m</b>

**Cursor:**

Total = 24.74 dBV/m

E Category: M4

Location: -3.7, 17.1, 8.7 mm



**WIFI 2.4G 802.11g**

Communication System: UID 0, WIFI 2.4GHz (0); Frequency: 2437 MHz;  
Medium parameters used:  $\sigma = 0$  S/m,  $\epsilon_r = 1$ ;  $\rho = 0$  kg/m<sup>3</sup>  
Phantom section: RF Section

DASY5 Configuration:

- Probe: ER3DV6 - SN2368; ConvF(1, 1, 1); Calibrated: 2020/10/23;
- Sensor-Surface: (Fix Surface)
- Electronics: DAE4 Sn720; Calibrated: 2020/9/30
- Phantom: HAC Test Arch; Type: SD HAC P01 BA;
- Measurement SW: DASY52, Version 52.8 (8); SEMCAD X Version 14.6.10 (7373)

**Device E-Field measurement (E-field scan for ANSI C63.192011 compliance)/E Scan - ER3D: 15 mm from Probe Center to the Device WIFI2.4GHz 802.11g M/Hearing Aid Compatibility Test (121x121x1):** Interpolated grid: dx=0.4166 mm, dy=0.4166 mm

Device Reference Point: 0, 0, -6.3 mm

Reference Value = 22.03 V/m; Power Drift = -0.06 dB

Applied MIF = 0.12 dB

RF audio interference level = 24.96 dBV/m

**Emission category: M4**

MIF scaled E-field

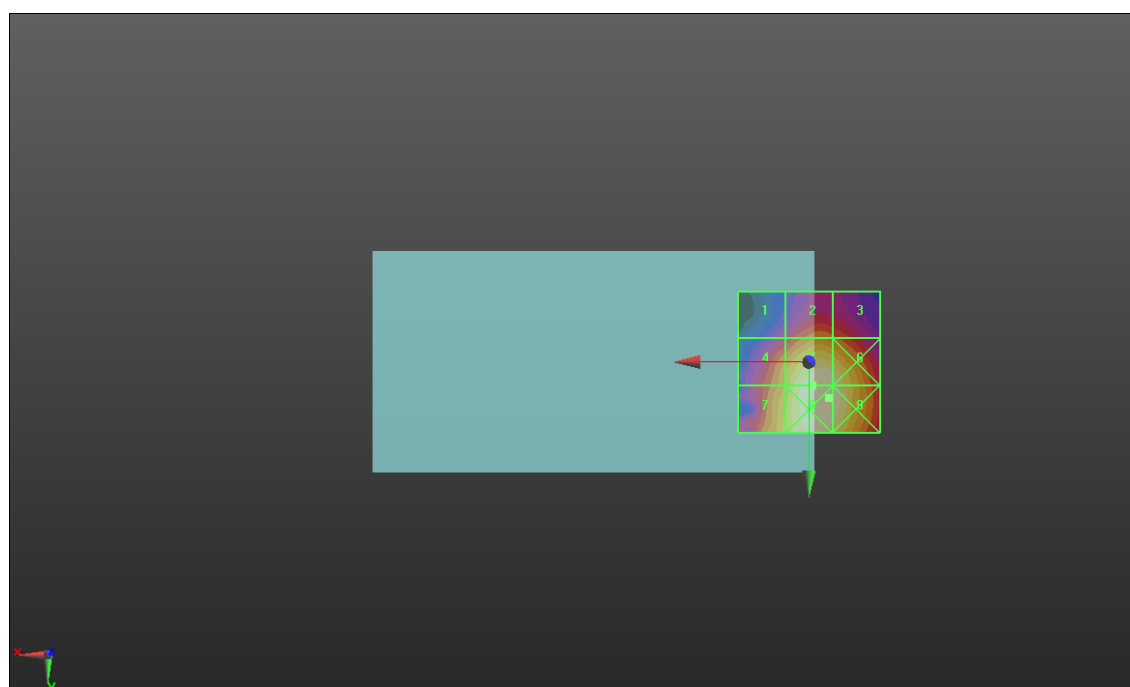
Grid 1 M4 20.74 dBV/m	Grid 2 M4 22.79 dBV/m	Grid 3 M4 22.29 dBV/m
Grid 4 M4 23.25 dBV/m	Grid 5 M4 24.96 dBV/m	Grid 6 M4 24.88 dBV/m
Grid 7 M4 23.85 dBV/m	Grid 8 M4 24.99 dBV/m	Grid 9 M4 24.92 dBV/m

**Cursor:**

Total = 24.99 dBV/m

E Category: M4

Location: -7.1, 12.5, 8.7 mm



**WIFI 2.4G 802.11g**

Communication System: UID 0, WIFI 2.4GHz (0); Frequency: 2462 MHz;  
Medium parameters used:  $\sigma = 0$  S/m,  $\epsilon_r = 1$ ;  $\rho = 0$  kg/m<sup>3</sup>  
Phantom section: RF Section

DASY5 Configuration:

- Probe: ER3DV6 - SN2368; ConvF(1, 1, 1); Calibrated: 2020/10/23;
- Sensor-Surface: (Fix Surface)
- Electronics: DAE4 Sn720; Calibrated: 2020/9/30
- Phantom: HAC Test Arch; Type: SD HAC P01 BA;
- Measurement SW: DASY52, Version 52.8 (8); SEMCAD X Version 14.6.10 (7373)

**Device E-Field measurement (E-field scan for ANSI C63.192011 compliance)/E Scan - ER3D: 15 mm from Probe Center to the Device WIFI2.4GHz 802.11g H/Hearing Aid Compatibility Test (121x121x1):** Interpolated grid: dx=0.4166 mm, dy=0.4166 mm

Device Reference Point: 0, 0, -6.3 mm

Reference Value = 22.93 V/m; Power Drift = -0.17 dB

Applied MIF = 0.12 dB

RF audio interference level = 25.05 dBV/m

**Emission category: M4**

MIF scaled E-field

Grid 1 <b>M4</b> 21.05 dBV/m	Grid 2 <b>M4</b> 22.76 dBV/m	Grid 3 <b>M4</b> 22.57 dBV/m
Grid 4 <b>M4</b> 23.54 dBV/m	Grid 5 <b>M4</b> 25.05 dBV/m	Grid 6 <b>M4</b> 24.83 dBV/m
Grid 7 <b>M4</b> 23.56 dBV/m	Grid 8 <b>M4</b> 25.08 dBV/m	Grid 9 <b>M4</b> 24.86 dBV/m

**Cursor:**

Total = 15.20 dBV/m

E Category: M4

Location: 25, -25, 8.7 mm

