

SCHEMATIC

MODEL: ZTE Blade L130

TITLE: P731F30_MB

VERSION: <AVERSION>

DRAWING NO.: <ADRAWINGNO>

FCC ID: SRQ-L130

SHEET 1 OF 43

DRAWN: MA JIA JIA

CHECKED: WANG BIN

NORMALIZED:

APPROVED:

ZTE CORPORATION

THIS DOCUMENT CONTAINS INFORMATION PROPRIETARY TO ZTE CORPORATION (ZTE). USE OR DISCLOSURE WITHOUT THE WRITTEN PERMISSION OF AN OFFICER OF ZTE IS EXPRESSLY FORBIDDEN.

TABLE OF CONTENTS:

SHEET	DESCRIPTION
1	COVER
2	CONTENT-BB
3	CONTENT-RF
4	GPIO TABLE
5	SC7731E - DIGITAL
6	SC7731E - MEMORY
7	SC7731E_MIPI_RF INTERFACE
8	SC7731E_PWR
9	SC7731E_GND
10	SC2720 - ANALOG
11	SC2720 - POWER
12	EMCP OR LPDDR3
13	DIS.EMMC
14	CHARGE/VCHG_LED
15	AUDIO-PA
16	PRIMAR MIC & RECEVIER
17	HEADSET
18	SENSOR
19	T_FLASH/SIM0/SIM1
20	BATTERY
21	USB/OVP
22	BACKLIGHT & LCD
23	TP
24	FRONT CAMERA
25	REAR CAMERA
26	VIBRATOR
27	KEYS, LED & FLASH
28	TEST POINTS
29	SHIELDING& GND CONN
30	SIM/T CARD CONNECTER

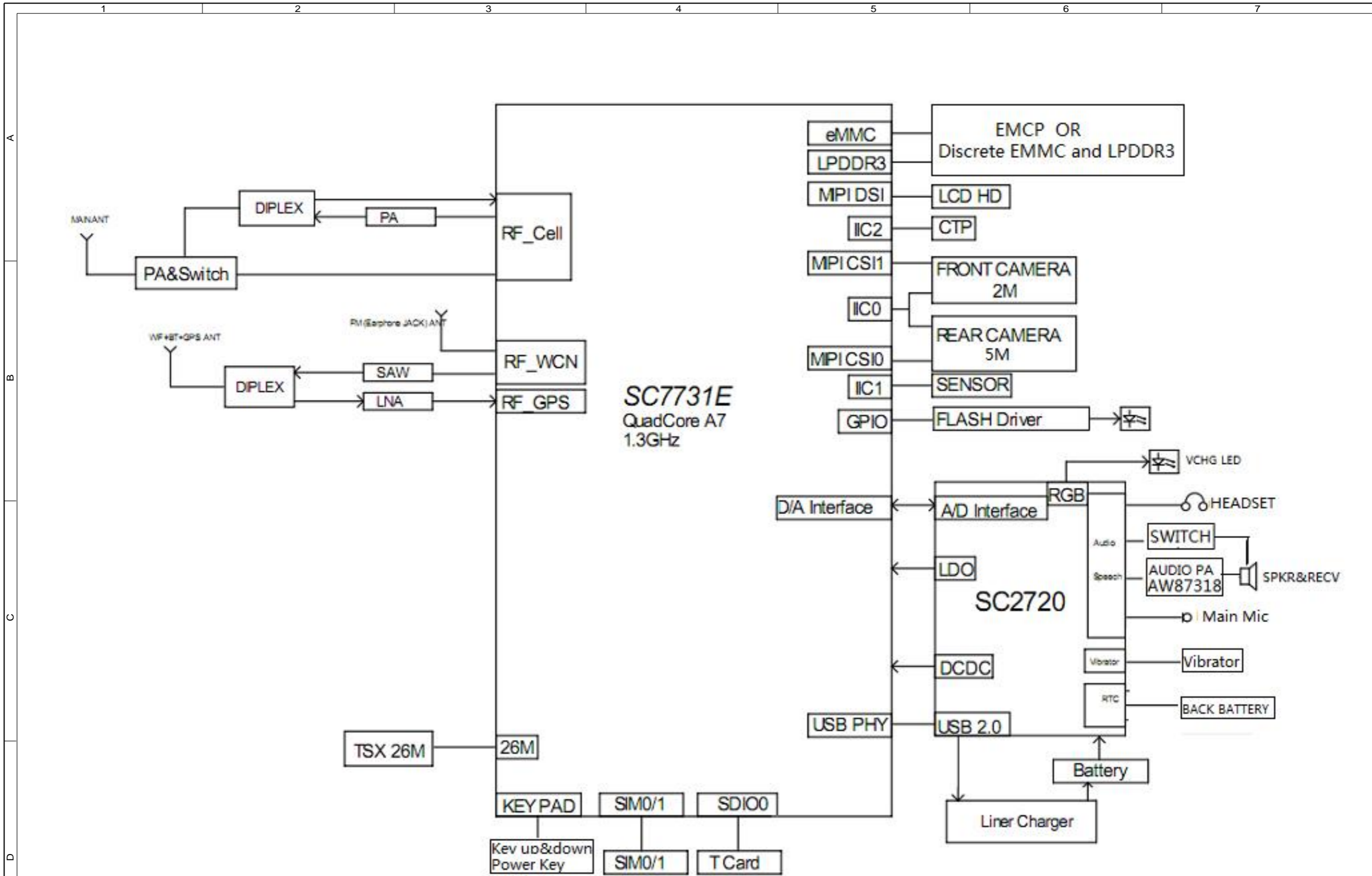
TABLE OF CONTENTS:

SHEET	DESCRIPTION
31	LCD/VBAT/USB CONNECTER
32	CAMERA CONNETOR
33	KEY_CONN/HW_VERSION/LED
34	AUDIO PART
35	SINGLE GND
36	RF
37	RF ANT
38	RF SWITCH & GSM PA
39	GSM RX PATH
40	WCDMA BAND1/4&2 TRX
41	WCDMA BAND5&8 TRX
42	PA MODULE
43	WIFI/GPS
44	RESERVED
45	RESERVED
46	
47	
48	
49	
50	
51	
52	
53	
54	
55	
56	
57	
58	
59	

TABLE OF CONTENTS

ZTE CORPORATION		MODEL: <AMODEL>	SHEET \varnothing F 43
DRAWN	<ADRAWN>	TITLE: <ATITLE>	VERSION: <AVERSION>
CHECKED	<ACHECKED>	DRAWING NO.: <ADRAWINGNO>	

THIS DOCUMENT CONTAINS INFORMATION PROPRIETARY TO ZTE CORPORATION (ZTE). USE OR DISCLOSURE WITHOUT THE WRITTEN PERMISSION OF AN OFFICER OF ZTE IS EXPRESSLY FORBIDDEN.



BLOCK DIAGRAM

DRAWN FROM REFSCH:SC7731_A_CS_E_SCH_V1.0.0_SC2720_EMMC_LPDDR3

ZTE CORPORATION		MODEL: <AMODEL>	SHEET 0F 43
DRAWN	<ADRAWN>	TITLE: <ATITLE>	VERSION: <AVERSION>
CHECKED	<ACHECKED>	DRAWING NO.: <ADRAWING>	

SIZEA4

TABLE FOR SC7731E GPIO

GPIO0/BB_U0TXD	GPIO31/EMMC_RST	GPIO62/
GPIO1/BB_U0RXD	GPIO32/LCD_RSTN	GPIO63/TS_RESET_N
GPIO2/TF_DET	GPIO33/LCD_FMARK	GPIO64/TS_INT_N
GPIO3/BUA_BAT_DET	GPIO34/CAM_I2C0_SCL	GPIO65/TS_I2C2_SCL
GPIO4/SIM0_DET	GPIO35/CAM_I2C0_SDA	GPIO66/TS_I2C2_SDA
GPIO5/SIM1_DET	GPIO36/CAM_MCLK0	GPIO67/SENSOR_I2C1_SCL
GPIO6/SIM0_DATA	GPIO37/CAM_R_RST_N	GPIO68/SENSOR_I2C1_SDA
GPIO7/SIM0_CLK	GPIO38/CAM_R_PWDN	GPIO69/
GPIO8/SIM0_RST	GPIO39/CAM_F_PWDN	GPIO70/RFCTL_10
GPIO9/SIM1_DATA	GPIO40/TF_SD0_CLK0	GPIO71/RFCTL_9
GPIO10/SIM1_RST	GPIO41/TF_SD0_CMD	GPIO72/RFCTL_8
GPIO11/SIM1_CLK	GPIO42/TF_SD0_D0	GPIO73/RFCTL_7
GPIO12/CAMERA_TORCH_EN	GPIO43/TF_SD0_D1	GPIO74/RFCTL_6
GPIO13/CAMERA_FLASH_EN	GPIO44/TF_SD0_D2	GPIO75/RFCTL_5
GPIO14/CAM_R_AVDD2V8_EN	GPIO45/TF_SD0_D3	GPIO76/RFCTL_4
GPIO15/	GPIO46/CAM_F_RST_N	GPIO77/RFCTL_3
GPIO16/	GPIO47/LCD_ID0	GPIO78/RFCTL_2
GPIO17/	GPIO48/BOARD_ID0	GPIO79/RFCTL_1
GPIO18/	GPIO49/BOARD_ID1	GPIO80/D127RFCTL_0
GPIO19/	GPIO50/BB_U1RXD	
GPIO20/EMMC_D0	GPIO51/BB_U1TXD	
GPIO21/EMMC_D1	GPIO52/VOL_DOWN_N	
GPIO22/EMMC_D2	GPIO53/VOL_UP_N	
GPIO23/EMMC_D3	GPIO54/ACCEL_INT	
GPIO24/EMMC_D4	GPIO55/HW_VERSION0	
GPIO25/EMMC_D5	GPIO56/HW_VERSION1	
GPIO26/EMMC_D6	GPIO57/LCD_BL_PWM	
GPIO27/EMMC_D7	GPIO58/GPS_LNA_EN	
GPIO28/EMMC_CLK	GPIO59/PRECHR_LED_CTRL	
GPIO29/EMMC_RCLK	GPIO60/EAR_SPK_EN	
GPIO30/EMMC_CMD	GPIO61/AUDIOPA_EN	

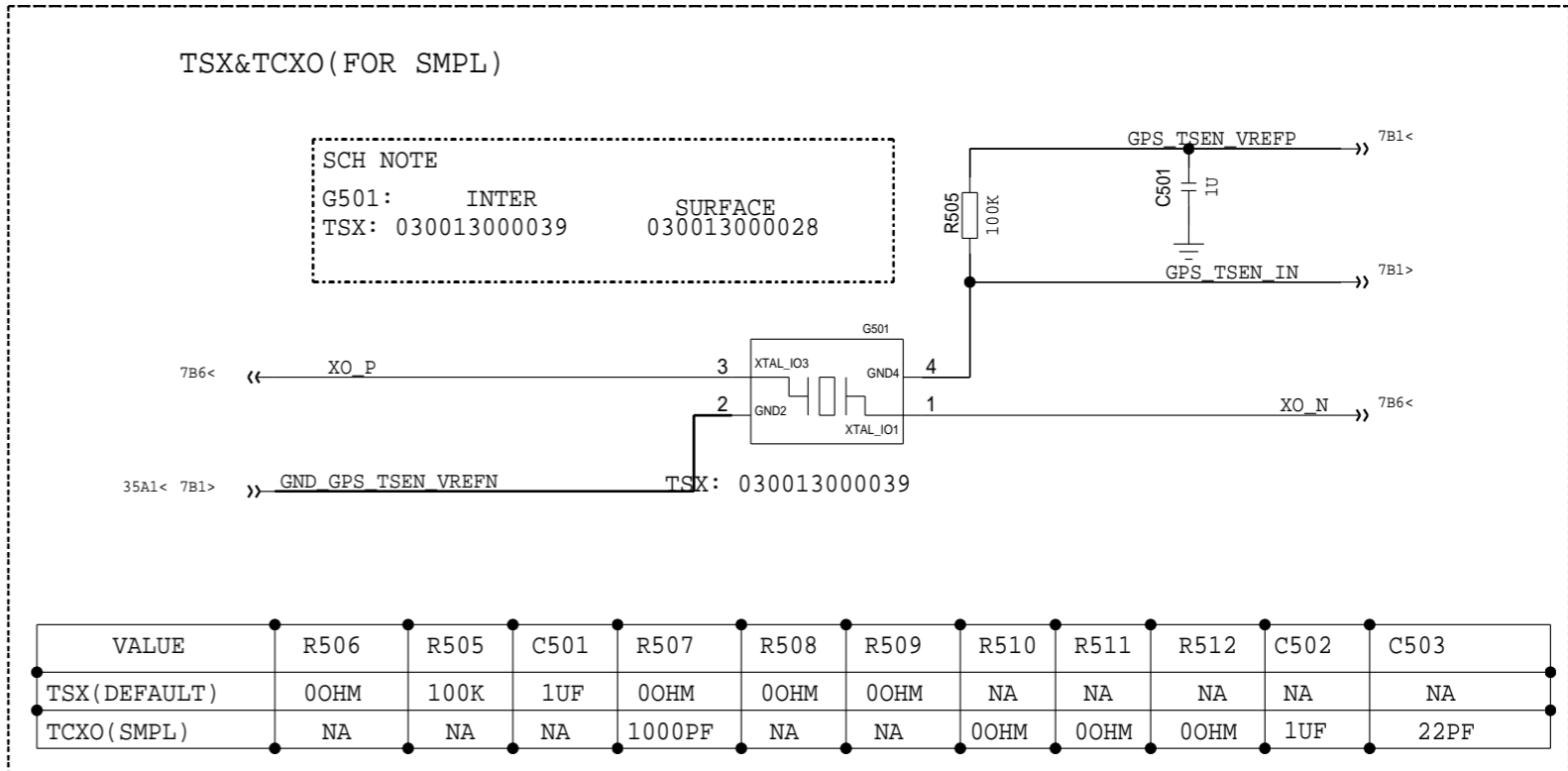
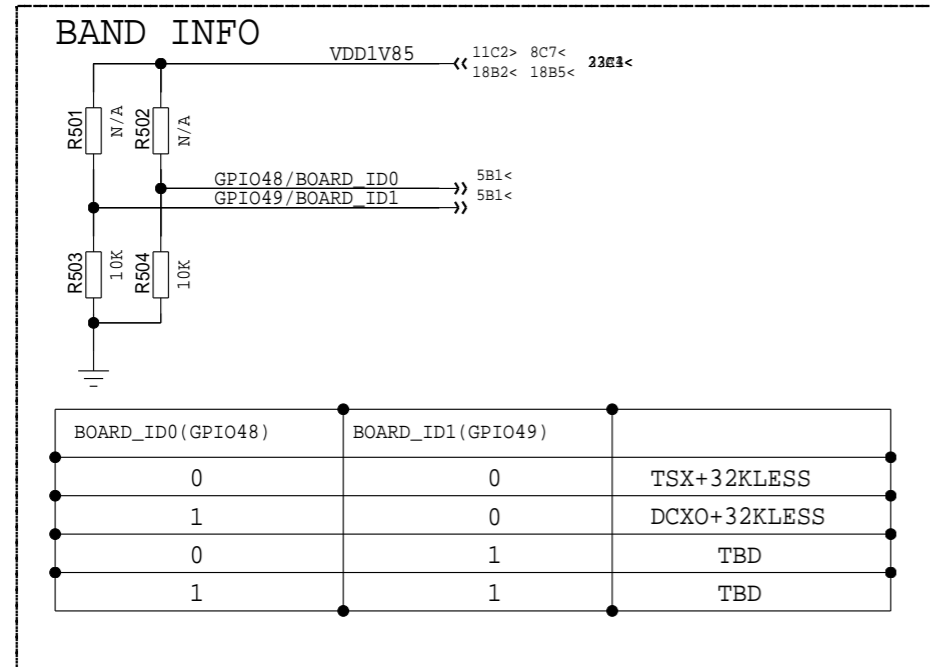
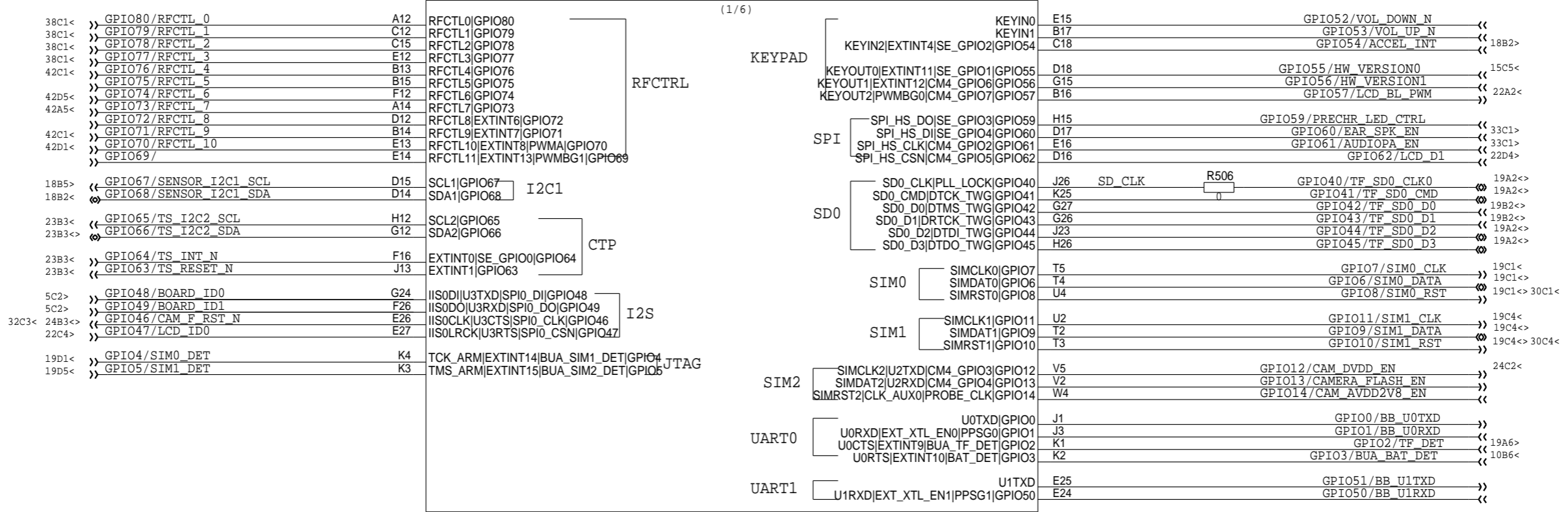
THIS DOCUMENT CONTAINS INFORMATION PROPRIETARY TO ZTE CORPORATION (ZTE). USE OR DISCLOSURE WITHOUT THE WRITTEN PERMISSION OF AN OFFICER OF ZTE IS EXPRESSLY FORBIDDEN.

SIZEA4

ZTE CORPORATION		MODEL: <AMODEL>	SHEET 4 OF <APAGE>	
DRAWN	<ADRAWN>	TITLE: <ATITLE>	VERSION:	<AVERSION>
CHECKED	<ACHECKED>	DRAWING NO.: <ADRAWINGNO>		

THIS DOCUMENT CONTAINS INFORMATION PROPRIETARY TO ZTE CORPORATION (ZTE), USE OR DISCLOSURE WITHOUT THE WRITTEN PERMISSION OF AN OFFICER OF ZTE IS EXPRESSLY FORBIDDEN.

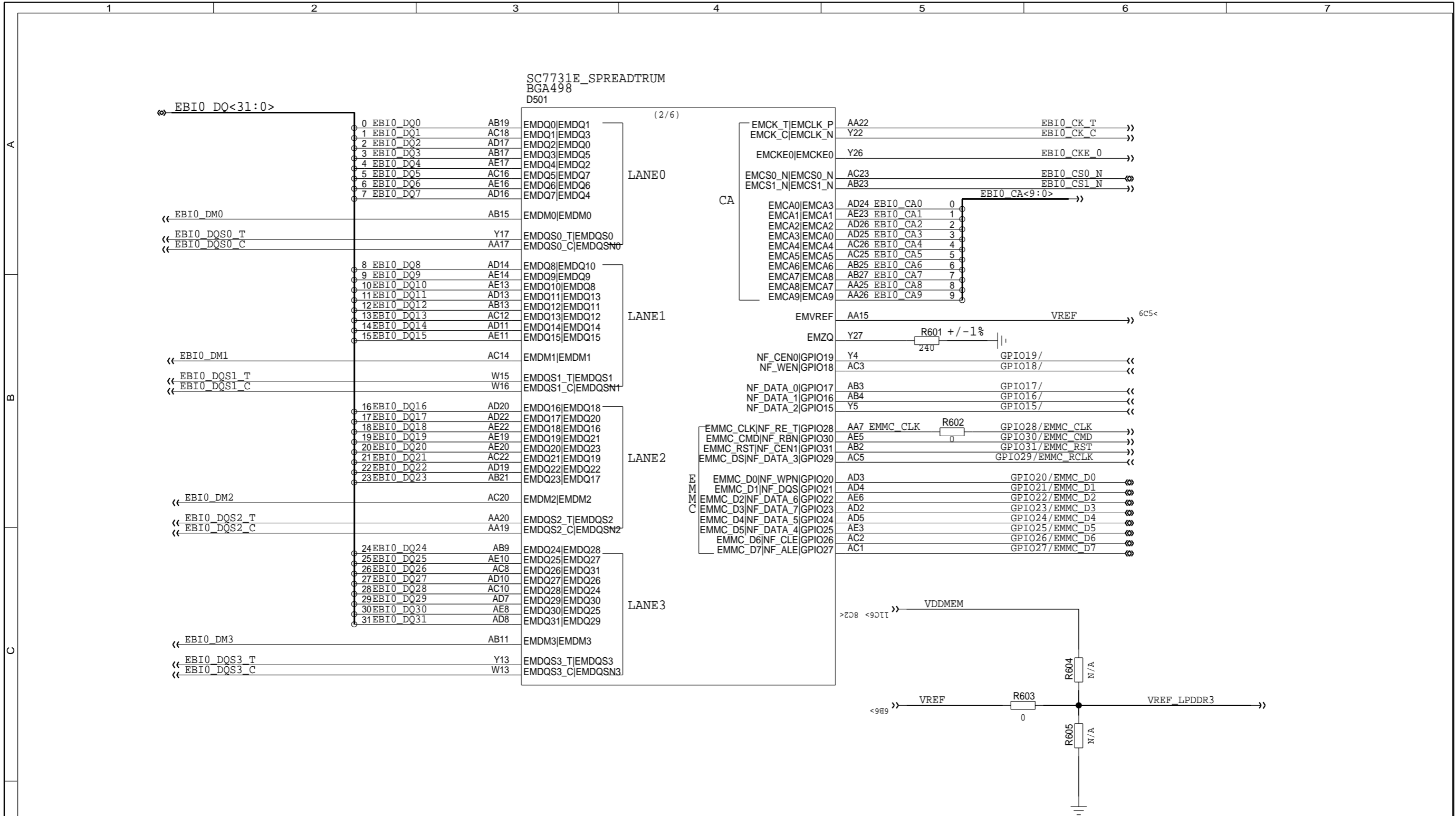
SC7731E_SPREADTRUM
BGA498
D501



SC7731E - DIGITAL

ZTE CORPORATION		MODEL: <AMODEL>	SHEET 5 OF <APAGE>
DRAWN	<ADRAWN>	TITLE: <ATITLE>	VERSION: <AVERSION>
CHECKED	<ACHECKED>	DRAWING NO.: <ADRAWINGNO>	

THIS DOCUMENT CONTAINS INFORMATION PROPRIETARY TO ZTE CORPORATION (ZTE), USE OR DISCLOSURE WITHOUT THE WRITTEN PERMISSION OF AN OFFICER OF ZTE IS EXPRESSLY FORBIDDEN.

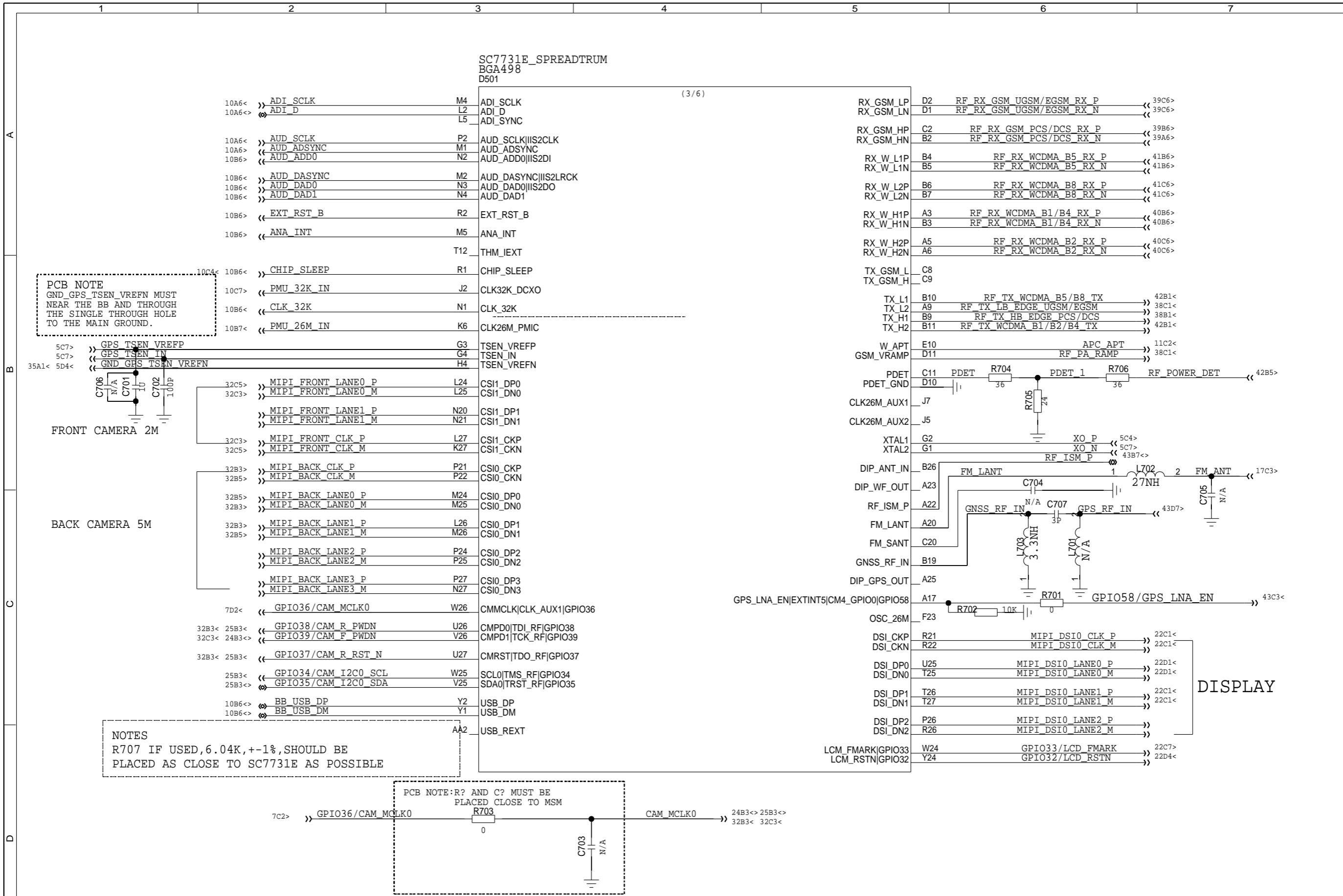


SIZE A4

SC7731E - MEMORY

ZTE CORPORATION		MODEL: <AMODEL>	SHEET 5 OF <APAGE>	
DRAWN	<ADRAWN>	TITLE: <ATITLE>	VERSION: <AVERSION>	
CHECKED	<ACHECKED>	DRAWING NO.: <ADRAWINGNO>		

THIS DOCUMENT CONTAINS INFORMATION PROPRIETARY TO ZTE CORPORATION (ZTE). USE OR DISCLOSURE WITHOUT THE WRITTEN PERMISSION OF AN OFFICER OF ZTE IS EXPRESSLY FORBIDDEN.

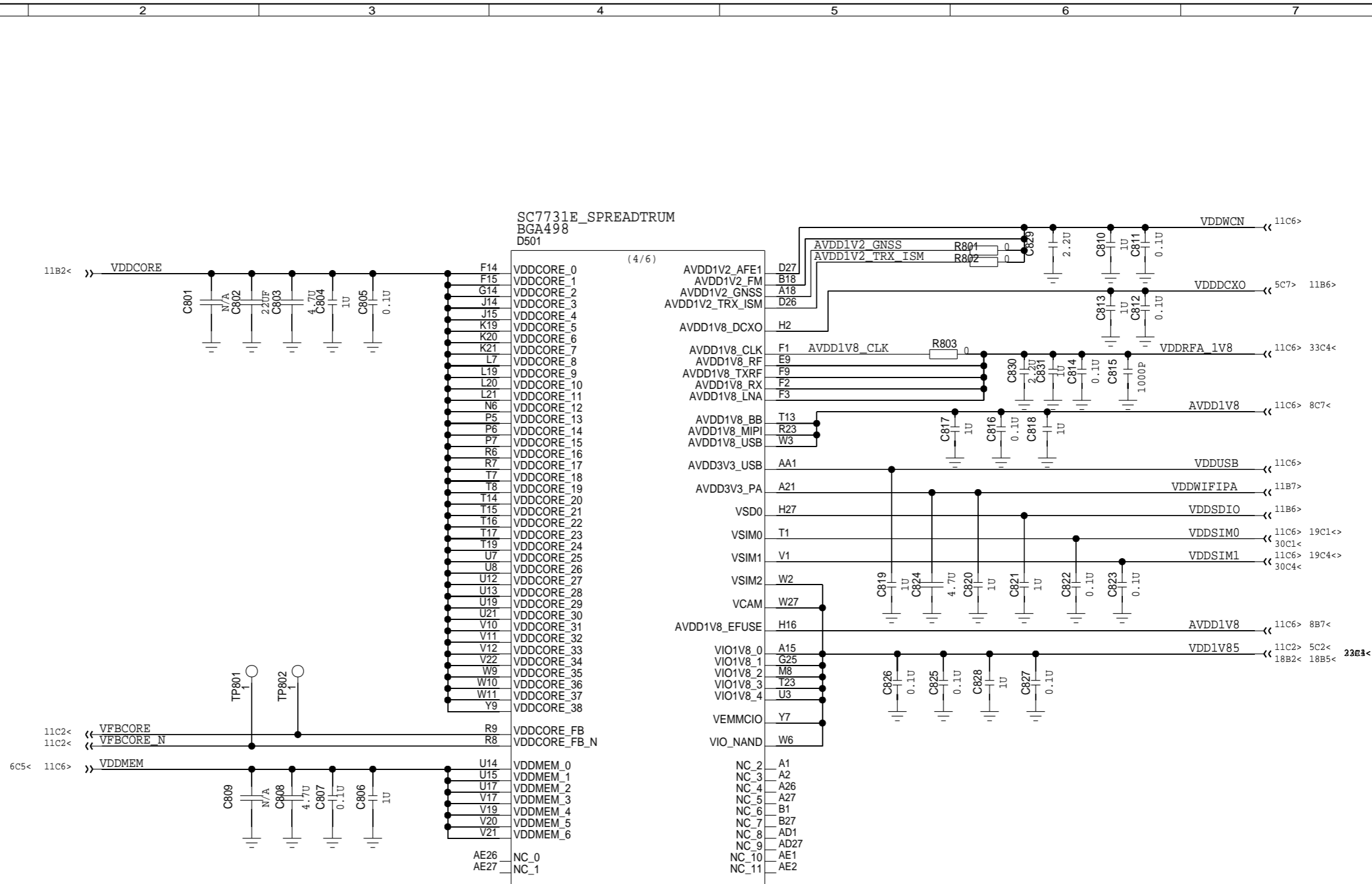


SC7731E_MIPI_RF INTERFACE

ZTE CORPORATION		MODEL: <AMODEL>	SHEET 6 OF <APAGE>
DRAWN	<ADRAWN>	TITLE: <ATITLE>	VERSION: <AVERSION>
CHECKED	<ACHECKED>	DRAWING NO.: <ADRAWINGNO>	

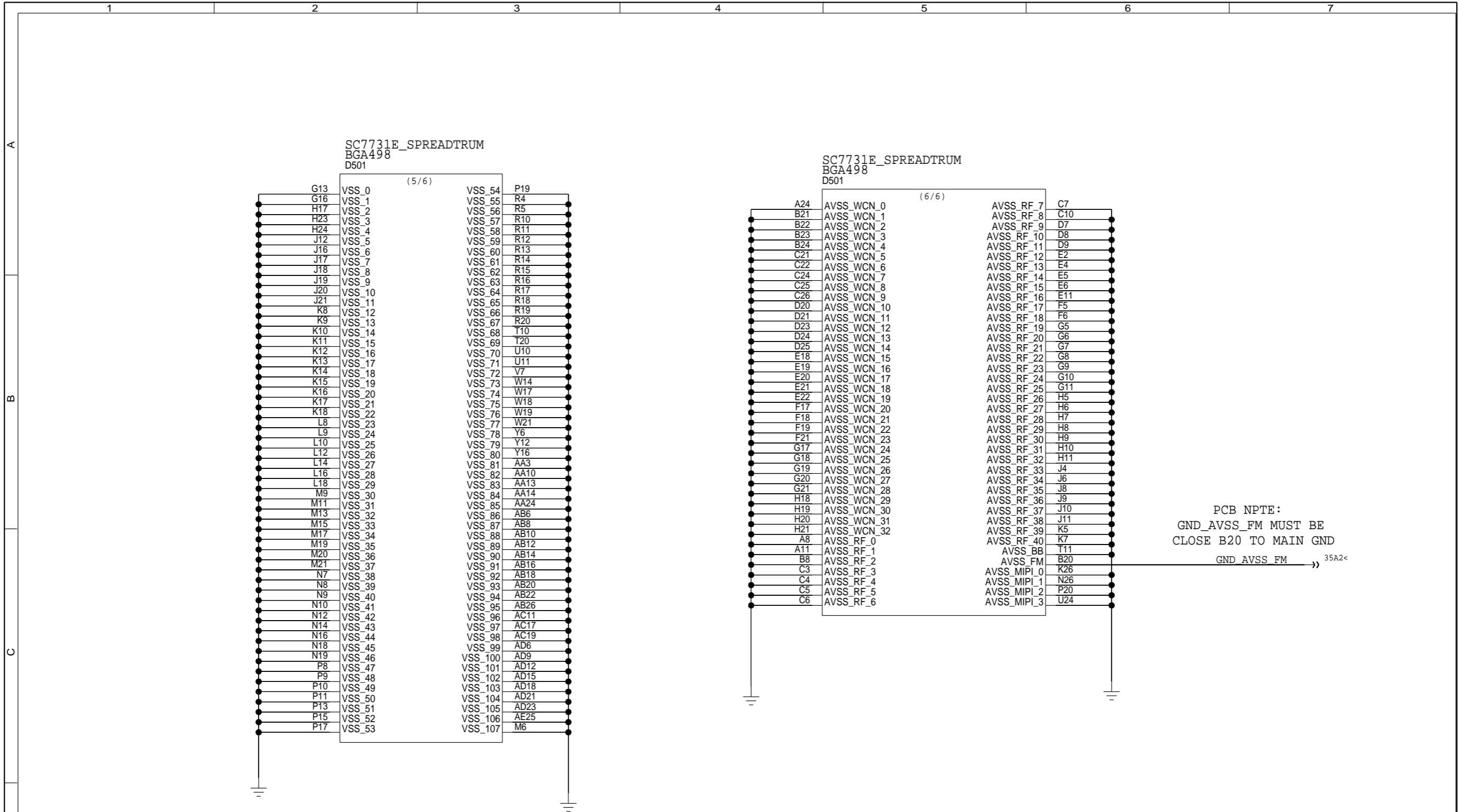
SIZEA4

THIS DOCUMENT CONTAINS INFORMATION PROPRIETARY TO ZTE CORPORATION (ZTE), USE OR DISCLOSURE WITHOUT THE WRITTEN PERMISSION OF AN OFFICER OF ZTE IS EXPRESSLY FORBIDDEN.



ZTE CORPORATION		MODEL: <AMODEL>	SHEET 5 OF <APAGE>	
DRAWN	<ADRAWN>	TITLE: <ATITLE>	VERSION:	<AVERSION>
CHECKED	<ACHECKED>	DRAWING NO.: <ADRAWINGNO>		

THIS DOCUMENT CONTAINS INFORMATION PROPRIETARY TO ZTE CORPORATION (ZTE). USE OR DISCLOSURE WITHOUT THE WRITTEN PERMISSION OF AN OFFICER OF ZTE IS EXPRESSLY FORBIDDEN.

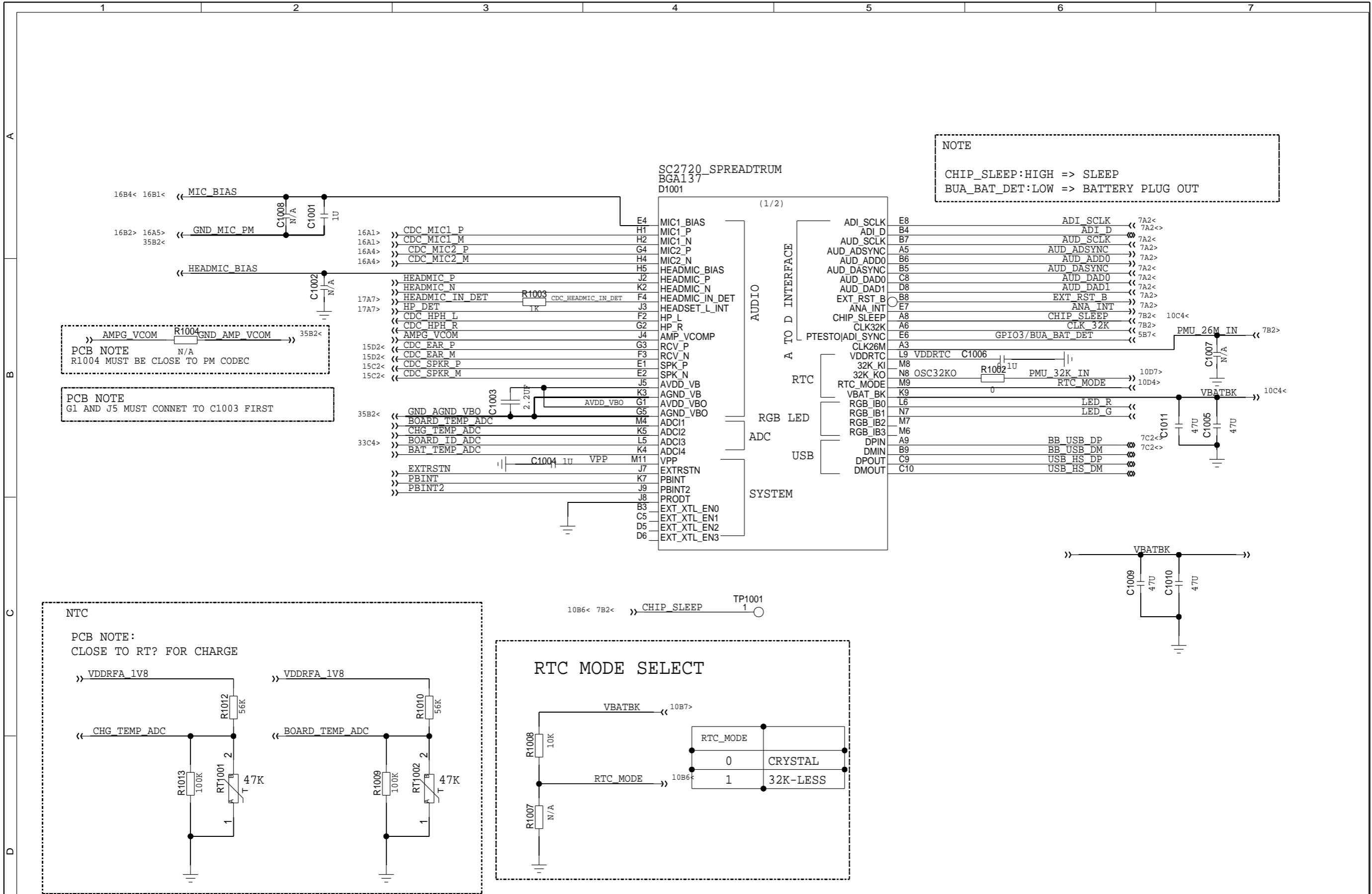


SIZEA4

SC7731E_GND

ZTE CORPORATION		MODEL: <AMODEL>	SHEET $\text{\textcircled{O}}$ <APAGE>	
DRAWN	<ADRAWN>	TITLE: <ATITLE>	VERSION:	<AVERSION>
CHECKED	<ACHECKED>	DRAWING NO.: <ADRAWINGNO>		

THIS DOCUMENT CONTAINS INFORMATION PROPRIETARY TO ZTE CORPORATION (ZTE), USE OR DISCLOSURE WITHOUT THE WRITTEN PERMISSION OF AN OFFICER OF ZTE IS EXPRESSLY FORBIDDEN.

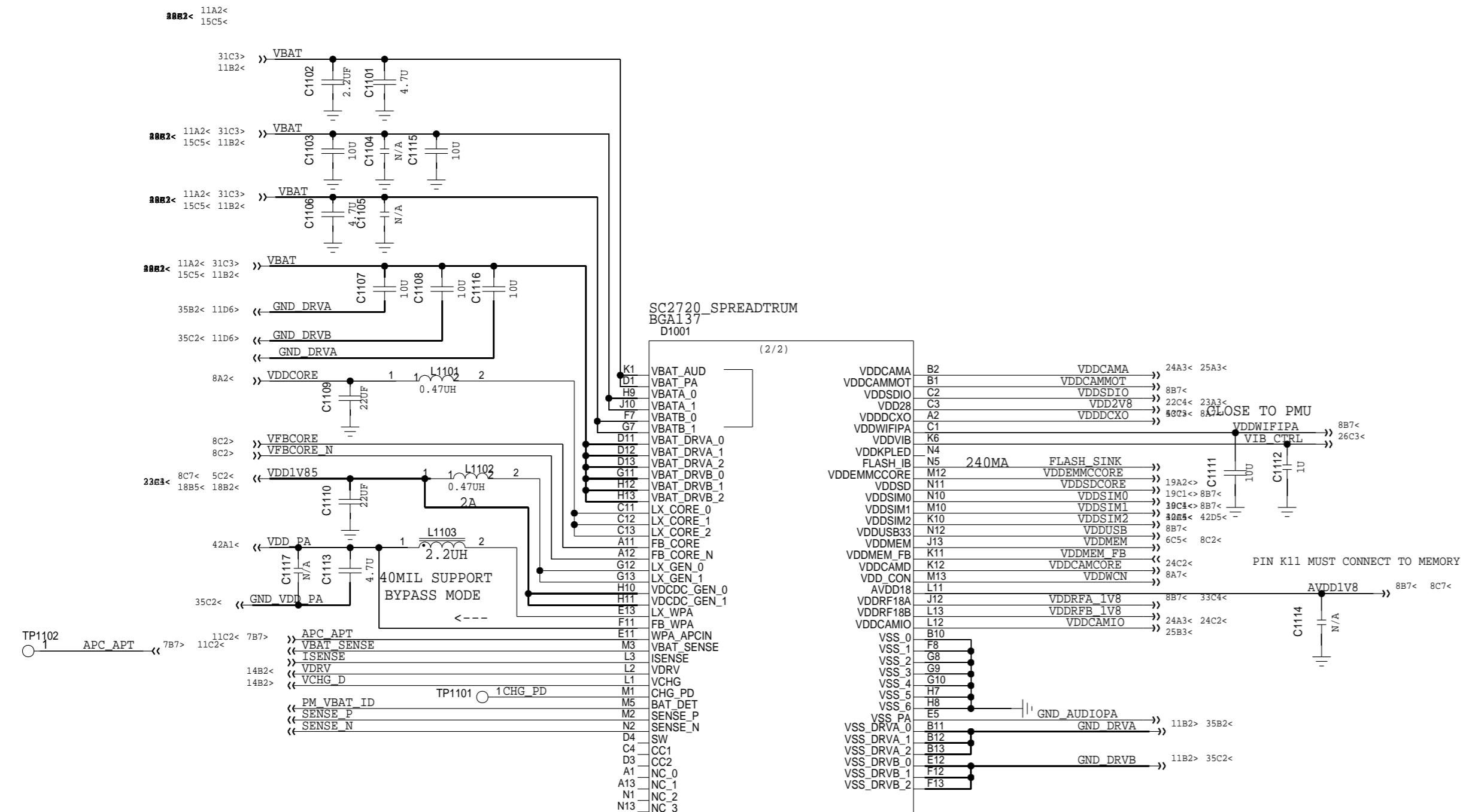


SC2720 - ANALOG

ZTE CORPORATION		MODEL: <AMODEL>	SHEET 07 OF <APAGE>
DRAWN	<ADRAWN>	TITLE: <ATITLE>	VERSION: <AVERSION>
CHECKED	<ACHECKED>	DRAWING NO.: <ADRAWINGNO>	

SIZEA4

INPUT	DESCRIPTION
VBAT_AUD	VBAT POWER INPUT FOR AUDIO
VBAT_PA	VBAT POWER INPUT FOR AUDIO SPEAKER PA
VBATA	VBAT POWER INPUT FOR LDO
VBATB	VBAT POWER INPUT FOR KP_LED,VIB,VBATBK, FLASH LED
VBATC	VBAT POWER INPUT FOR LDO
VBAT_DRV	VBAT POWER INPUT FOR DCDC



SC2720 DCDC output

Input Power	Power Name	Output Voltage (V)	Output Current	Default Voltage	Default
VBAT	DCDCORE	0.4-1.4	3500mA	1.05V	ON
	DCDCGEN1V8	1.6-2.1	2000mA	1.85V	ON
	DCDCWPA	0.4-3.4 2x and 2.5x ramp	1000mA		OFF

SC2720 LDO output

Input Power	Power Name	Output Voltage (V)	Output Current	Default Voltage	Default	
LDO from VBAT	VDDCAMA	1.8-3.3	150mA	2.8V	OFF	
	VDDCAMMOT	1.8-3.3	100mA	2.8V	OFF	
	VDDSIM0	1.8-3.3	50mA		OFF	
	VDDSIM1	1.8-3.3	50mA		OFF	
	VDDSIM2	1.8-3.3	200mA		OFF	
	VDDEMMCCORE	1.8-3.3	400mA	3.0V	ON	
	VDDSD	1.8-3.3	400mA	3.0V	ON	
	VDDSDIO	1.8-3.3	400mA	3.0V	ON	
	VDD2V8	1.8-3.3	100mA	2.8V	ON	
	VBATBK	1.8-3.3	10mA	3.0V	ON	
	VDDVIB	1.8-3.3	100mA		OFF	
	VDDKPLED	1.8-3.3	50mA		OFF	
	VDDWIFIPA	1.8-3.3	400mA	3.3V	OFF	
	VDDDCXO	1.8-3.3	20mA	1.8V	ON	
	VDDUSB33	1.8-3.3	60mA	3.3V	ON	
	LDO from DCDCGEN	VDD_MEM	1.0-1.8	800mA	1.2V	ON
		VDDCAMD	1.0-1.5	400mA	1.2V	OFF
		VDDRFB	1.2-1.8	50mA	1.8V	OFF
VDD_CON		1.0-1.8	200mA	1.2V	OFF	
VDDCAMIO		1.4-1.8	200mA	1.8V	OFF	
AVDD18		1.2-1.8	100mA	1.8V	ON	
VDDRFA	1.2-1.8	200mA	1.8V	ON		

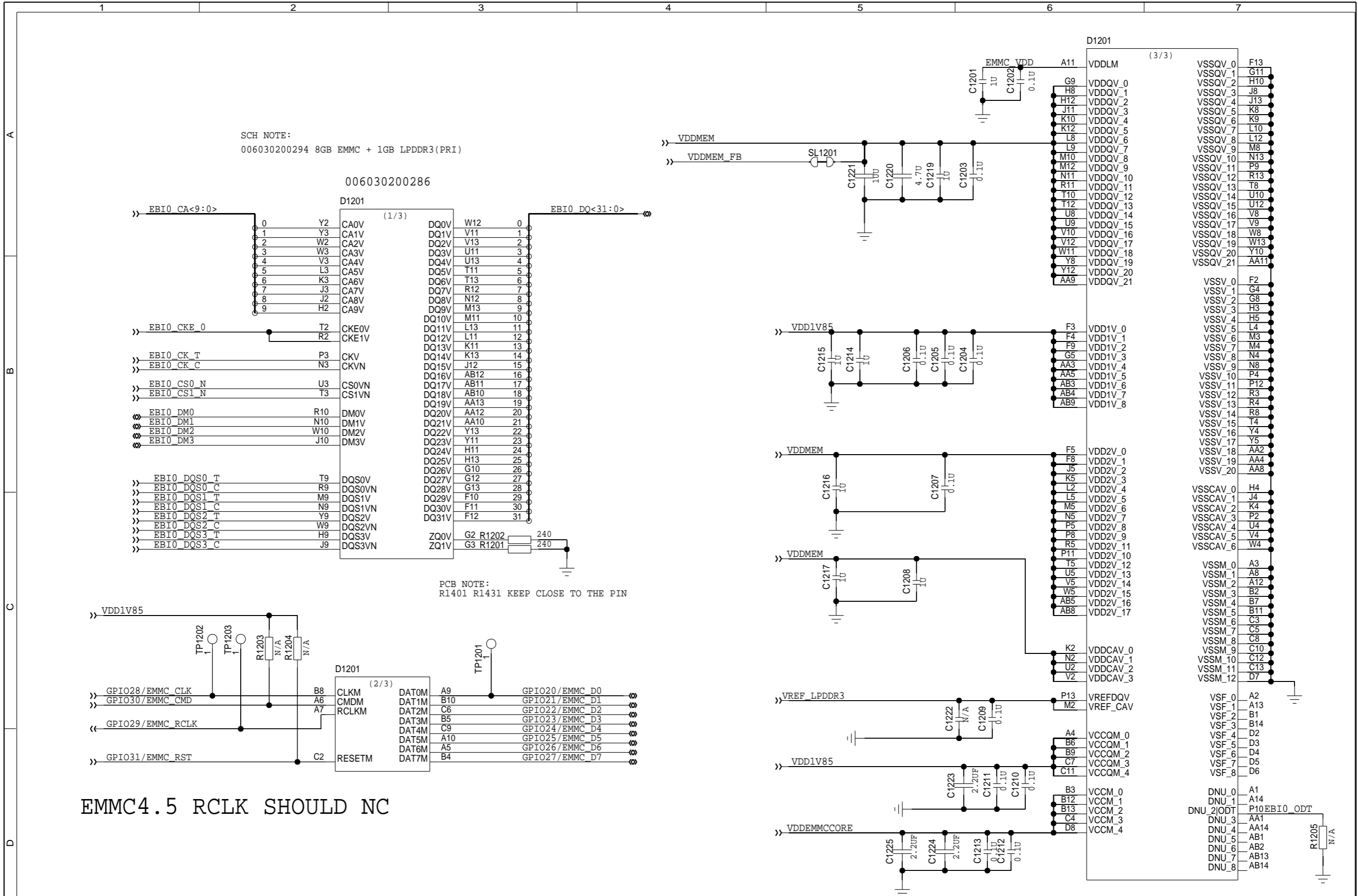
SC2720 - POWER

ZTE CORPORATION		MODEL: <AMODEL>	SHEET 13F <APAGE>	
DRAWN	<ADRAWN>	TITLE: <ATITLE>	VERSION:	<AVERSION>
CHECKED	<ACHECKED>	DRAWING NO.: <ADRAWINGNO>		

THIS DOCUMENT CONTAINS INFORMATION PROPRIETARY TO ZTE CORPORATION (ZTE). USE OR DISCLOSURE WITHOUT THE WRITTEN PERMISSION OF AN OFFICER OF ZTE IS EXPRESSLY FORBIDDEN.

SIZE: A4

THIS DOCUMENT CONTAINS INFORMATION PROPRIETARY TO ZTE CORPORATION (ZTE), USE OR DISCLOSURE WITHOUT THE WRITTEN PERMISSION OF AN OFFICER OF ZTE IS EXPRESSLY FORBIDDEN.



ZTE CORPORATION		MODEL: <AMODEL>	SHEET 13F <APAGE>
DRAWN	<ADRAWN>	TITLE: <ATITLE>	VERSION: <AVERSION>
CHECKED	<ACHECKED>	DRAWING NO.: <ADRAWINGNO>	

EMCP OR LPDDR3

SIZE A4

1 2 3 4 5 6 7

A

B

C

D

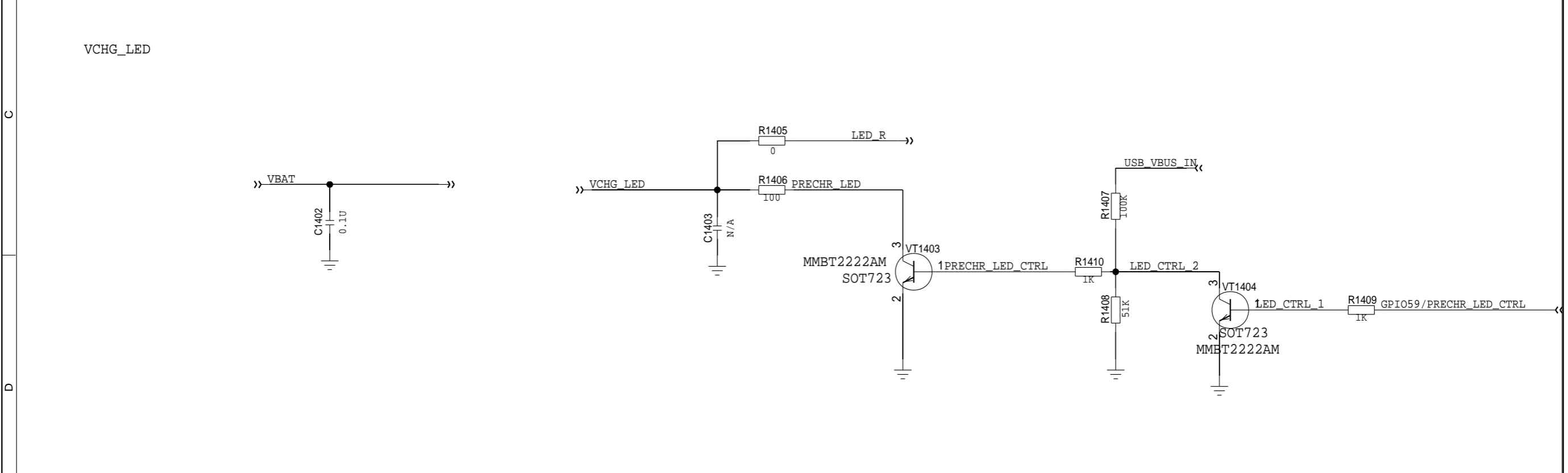
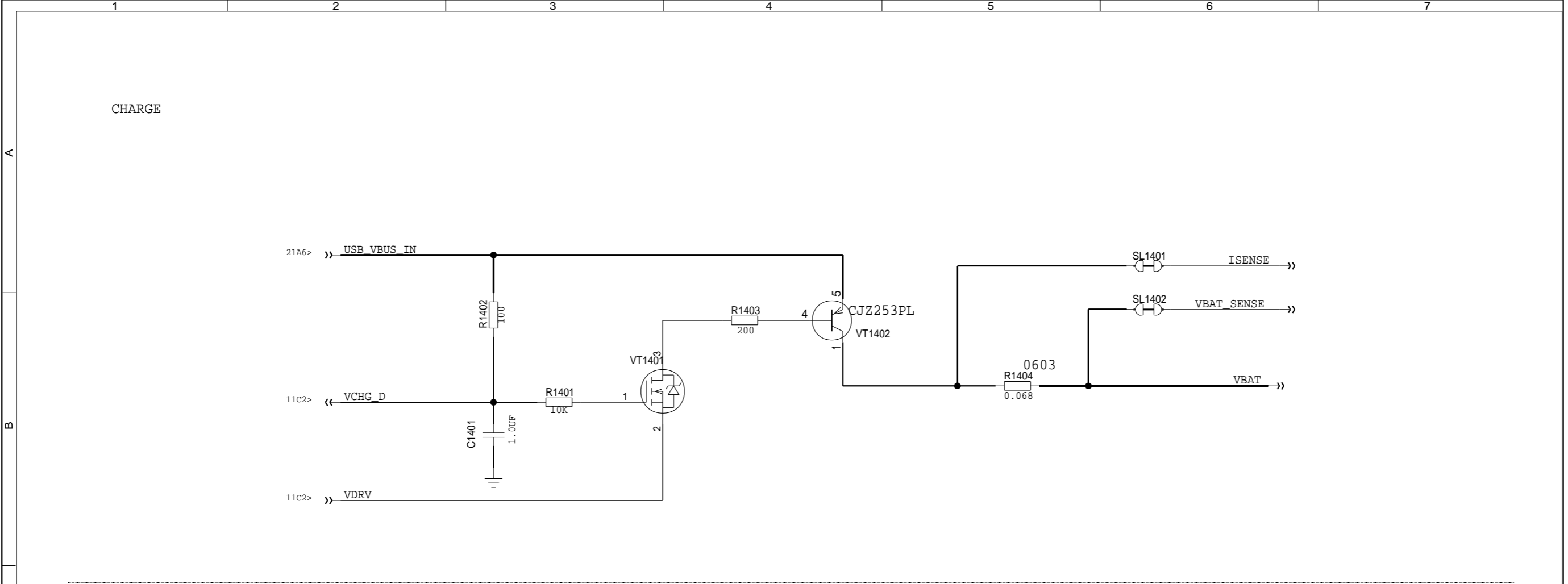
THIS DOCUMENT CONTAINS INFORMATION PROPRIETARY TO ZTE CORPORATION (ZTE). USE OR DISCLOSURE WITHOUT THE WRITTEN PERMISSION OF AN OFFICER OF ZTE IS EXPRESSLY FORBIDDEN.

EMMC

SIZEA4

ZTE CORPORATION		MODEL: <AMODEL>	SHEET 13F <APAGE>	
DRAWN	<ADRAWN>	TITLE: <ATITLE>	VERSION:	<AVERSION>
CHECKED	<ACHECKED>	DRAWING NO.: <ADRAWINGNO>		

THIS DOCUMENT CONTAINS INFORMATION PROPRIETARY TO ZTE CORPORATION (ZTE). USE OR DISCLOSURE WITHOUT THE WRITTEN PERMISSION OF AN OFFICER OF ZTE IS EXPRESSLY FORBIDDEN.

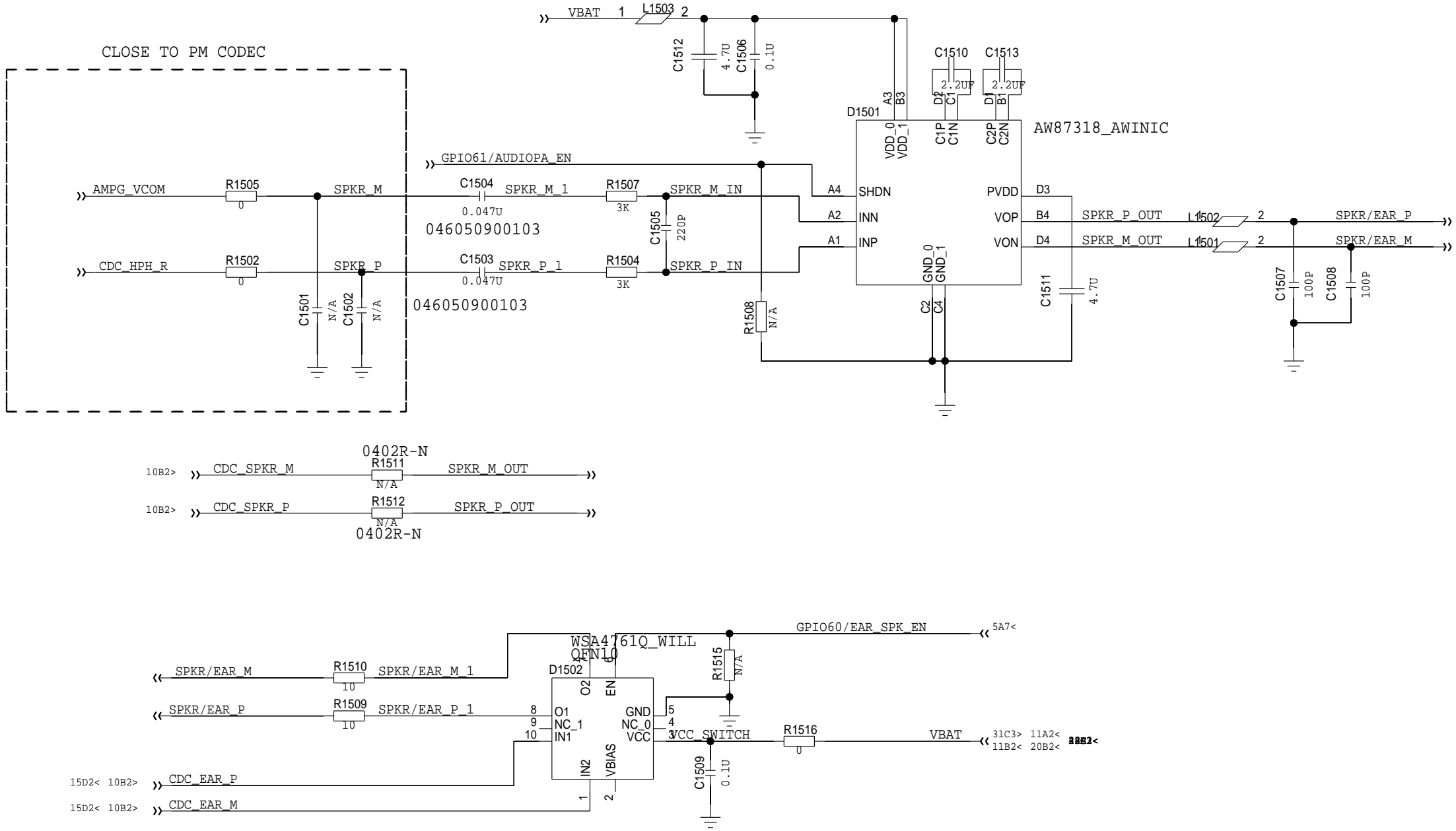


CHARGE/VCHG_LED

ZTE CORPORATION		MODEL: <AMODEL>	SHEET 10F 43
DRAWN <ADRAWN>	TITLE: <ATITLE>		VERSION: <AVERSION>
CHECKED <ACHECKED>	DRAWING NO.: <ADRAWING>		

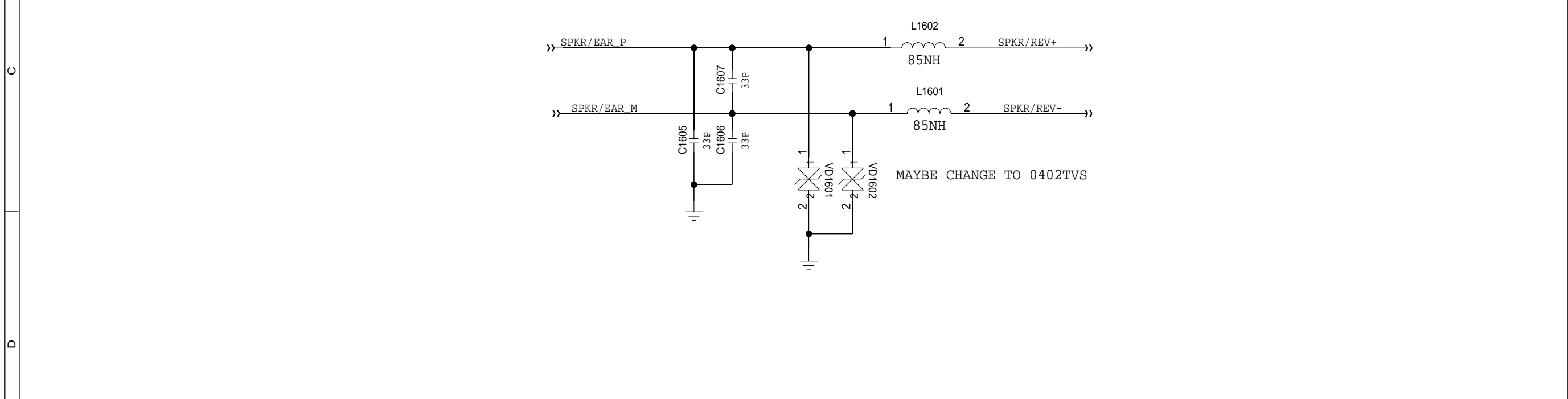
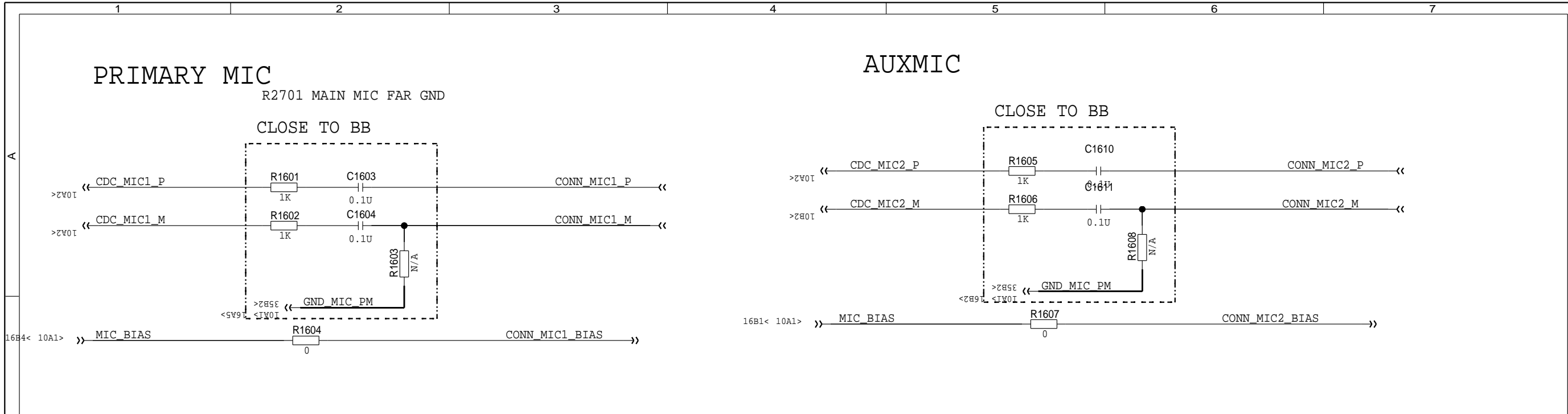
SIZEA4

THIS DOCUMENT CONTAINS INFORMATION PROPRIETARY TO ZTE CORPORATION (ZTE), USE OR DISCLOSURE WITHOUT THE WRITTEN PERMISSION OF AN OFFICER OF ZTE IS EXPRESSLY FORBIDDEN.



AUDIO-PA

ZTE CORPORATION		MODEL:	<AMODEL>	SHEET 10F	43
DRAWN	<ADRAWN>	TITLE:	<ATITLE>	VERSION:	<AVERSION>
CHECKED	<ACHECKED>	DRAWING NO.:	<ADRAWING>		



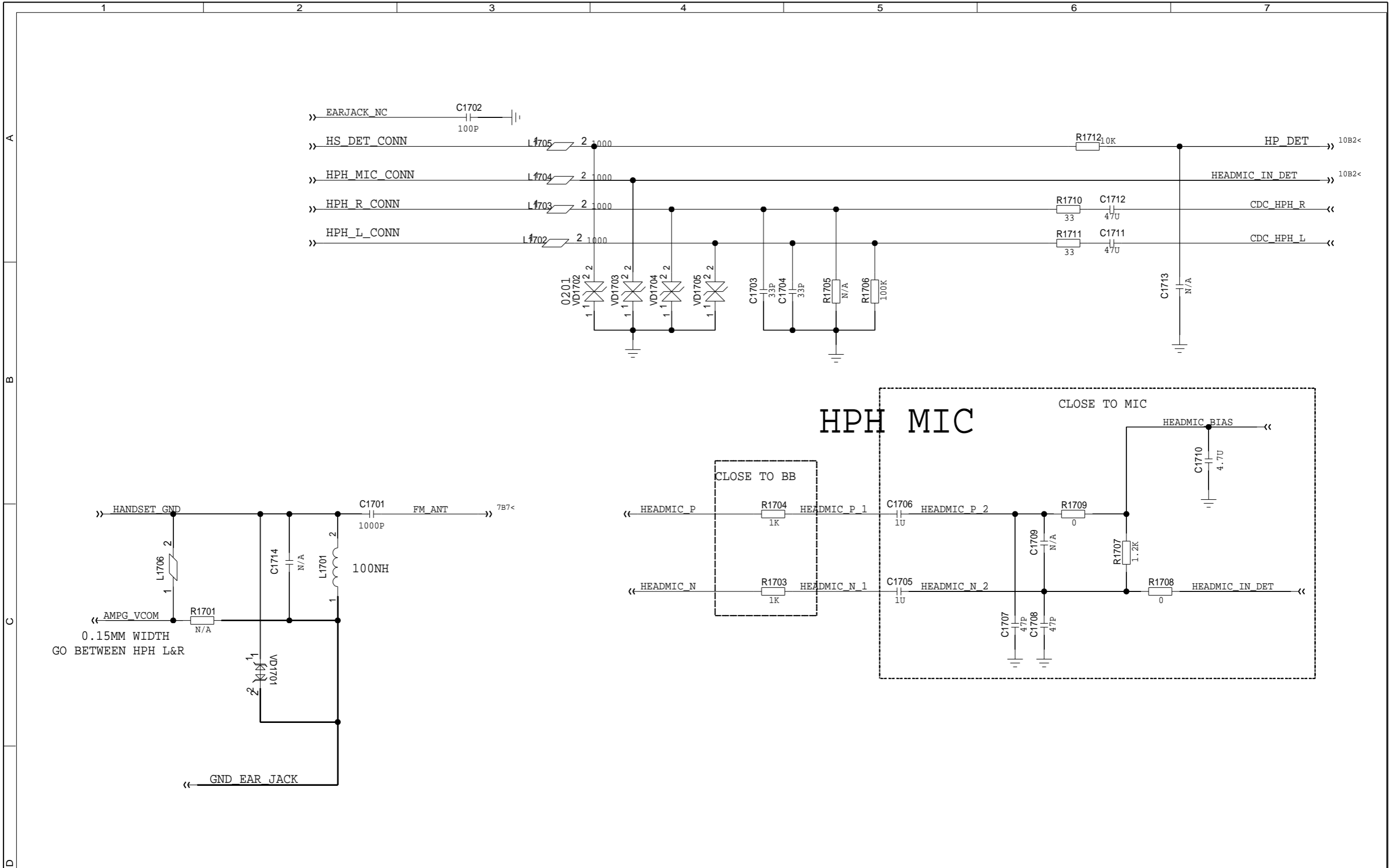
PRIMAR MIC & RECEVIER

ZTE CORPORATION		MODEL:	<AMODEL>	SHEET OF	43
DRAWN	<ADRAWN>	TITLE:	<ATITLE>	VERSION:	<AVERSION>
CHECKED	<ACHECKED>	DRAWING NO.:	<ADRAWING>		

THIS DOCUMENT CONTAINS INFORMATION PROPRIETARY TO ZTE CORPORATION (ZTE), USE OR DISCLOSURE WITHOUT THE WRITTEN PERMISSION OF AN OFFICER OF ZTE IS EXPRESSLY FORBIDDEN.

SIZEA4

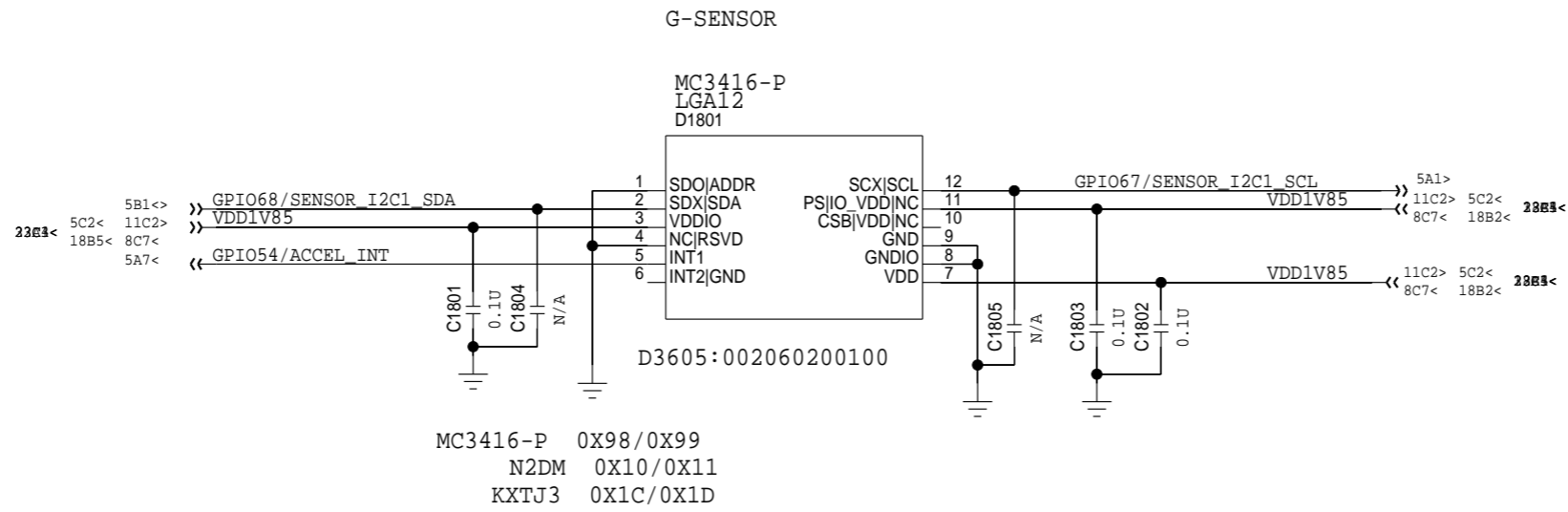
THIS DOCUMENT CONTAINS INFORMATION PROPRIETARY TO ZTE CORPORATION (ZTE), USE OR DISCLOSURE WITHOUT THE WRITTEN PERMISSION OF AN OFFICER OF ZTE IS EXPRESSLY FORBIDDEN.



HEADSET

ZTE CORPORATION		MODEL: <AMODEL>	SHEET 17 OF 43	
DRAWN	<ADRAWN>	TITLE: <ATITLE>	VERSION:	<AVERSION>
CHECKED	<ACHECKED>	DRAWING NO.: <ADRAWING>		

SIZEA4



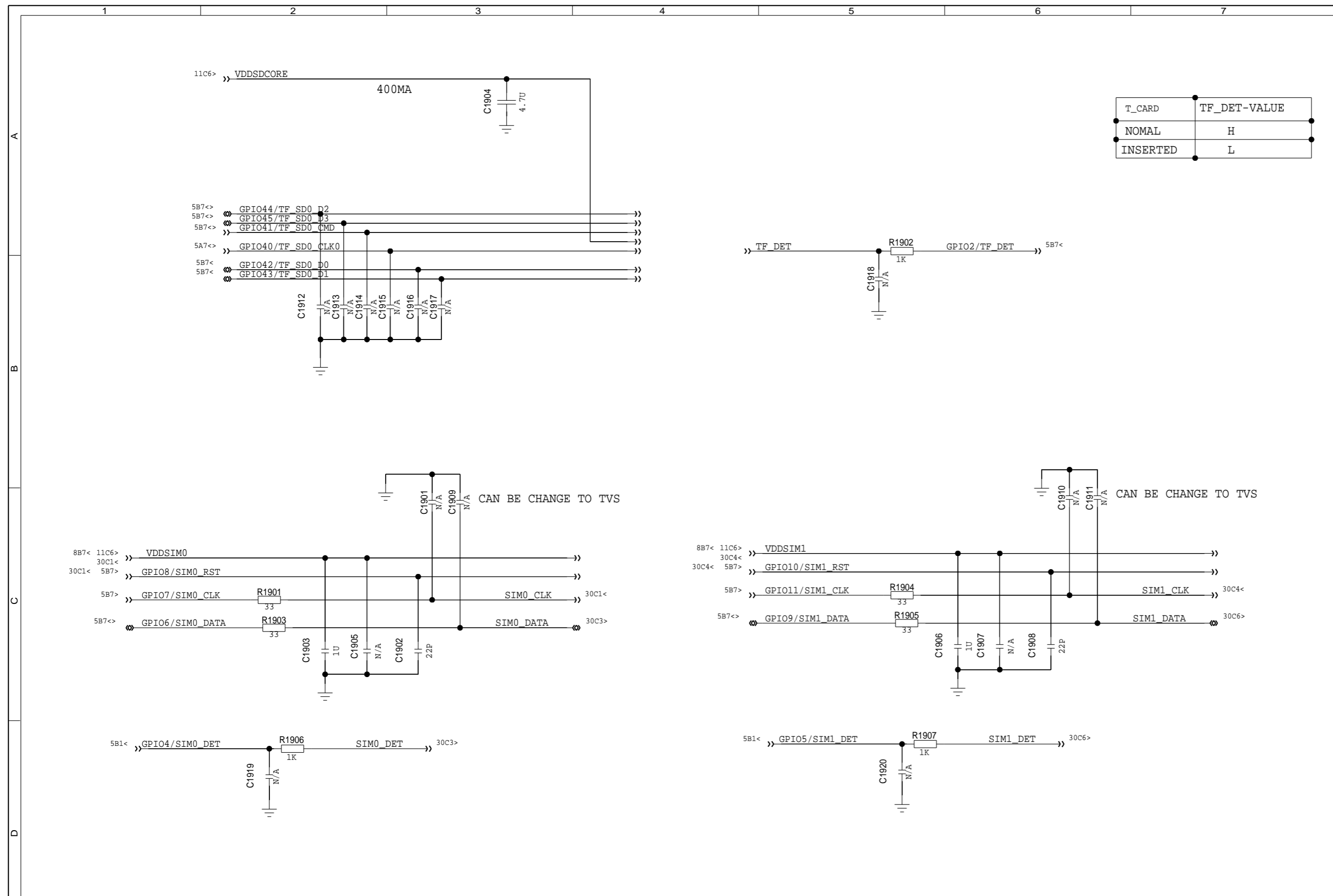
THIS DOCUMENT CONTAINS INFORMATION PROPRIETARY TO ZTE CORPORATION (ZTE). USE OR DISCLOSURE WITHOUT THE WRITTEN PERMISSION OF AN OFFICER OF ZTE IS EXPRESSLY FORBIDDEN.

A
B
C
D
SIZEA4

SENSOR

ZTE CORPORATION		MODEL: <AMODEL>	SHEET 18F <APAGE>
DRAWN	<ADRAWN>	TITLE: <ATITLE>	VERSION: <AVERSION>
CHECKED	<ACHECKED>	DRAWING NO.: <ADRAWINGNO>	

THIS DOCUMENT CONTAINS INFORMATION PROPRIETARY TO ZTE CORPORATION (ZTE). USE OR DISCLOSURE WITHOUT THE WRITTEN PERMISSION OF AN OFFICER OF ZTE IS EXPRESSLY FORBIDDEN.

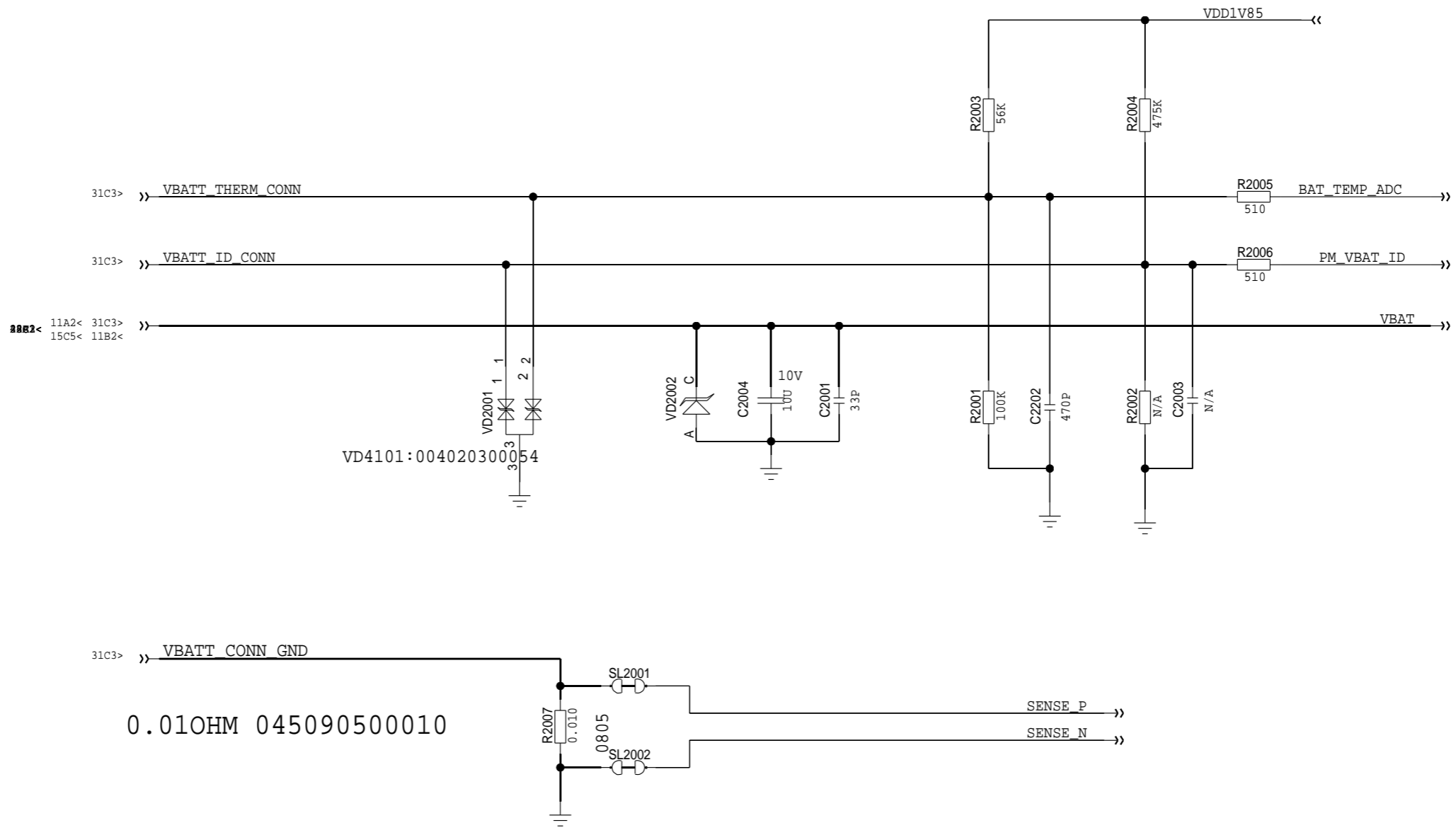


T_FLASH/SIM0/SIM1

ZTE CORPORATION		MODEL: <AMODEL>	SHEET 18F <APAGE>	
DRAWN	<ADRAWN>	TITLE: <ATITLE>	VERSION: <AVERSION>	
CHECKED	<ACHECKED>	DRAWING NO.: <ADRAWINGNO>		

SIZE:A4

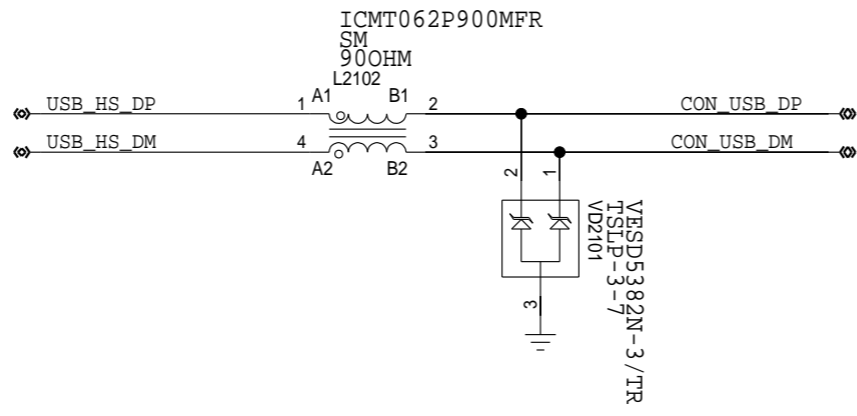
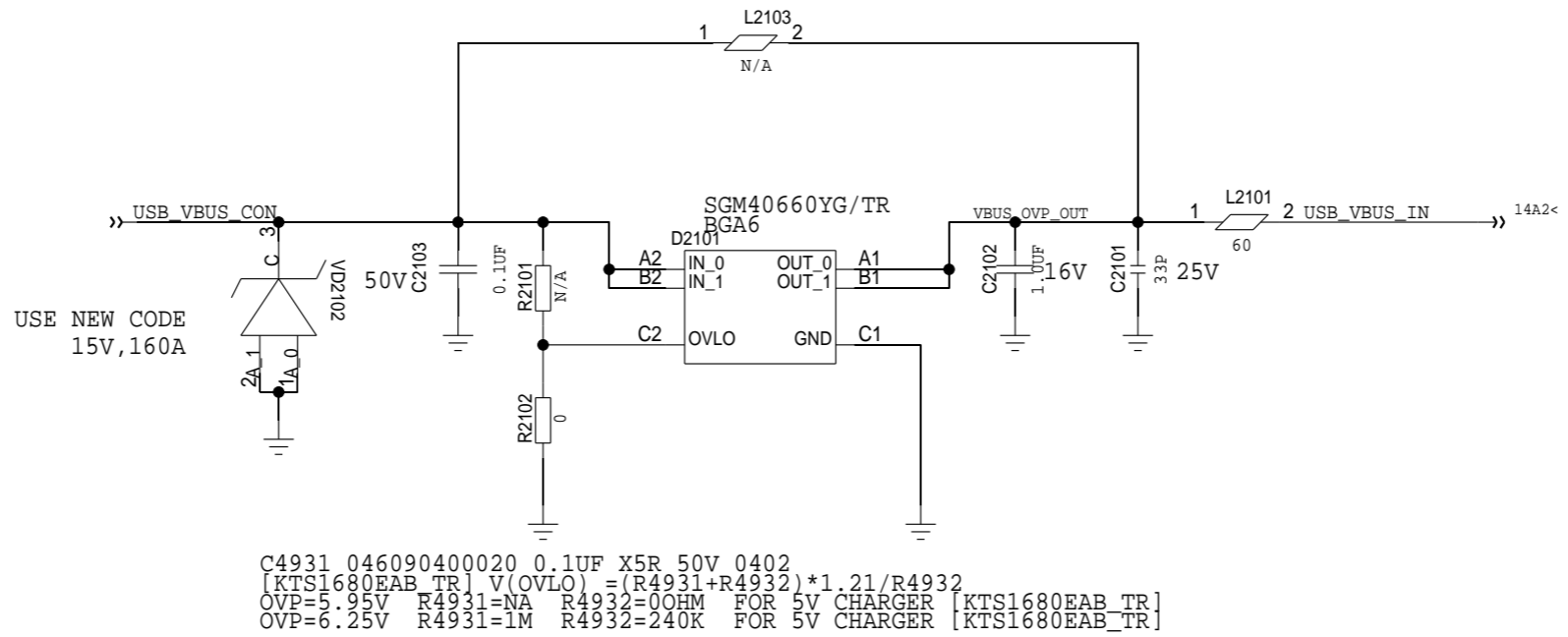
THIS DOCUMENT CONTAINS INFORMATION PROPRIETARY TO ZTE CORPORATION (ZTE). USE OR DISCLOSURE WITHOUT THE WRITTEN PERMISSION OF AN OFFICER OF ZTE IS EXPRESSLY FORBIDDEN.



BATTERY

ZTE CORPORATION		MODEL: <AMODEL>	SHEET 20 OF <APAGE>	
DRAWN	<ADRAWN>	TITLE: <ATITLE>	VERSION:	<AVERSION>
CHECKED	<ACHECKED>	DRAWING NO.: <ADRAWINGNO>		

THIS DOCUMENT CONTAINS INFORMATION PROPRIETARY TO ZTE CORPORATION (ZTE), USE OR DISCLOSURE WITHOUT THE WRITTEN PERMISSION OF AN OFFICER OF ZTE IS EXPRESSLY FORBIDDEN.

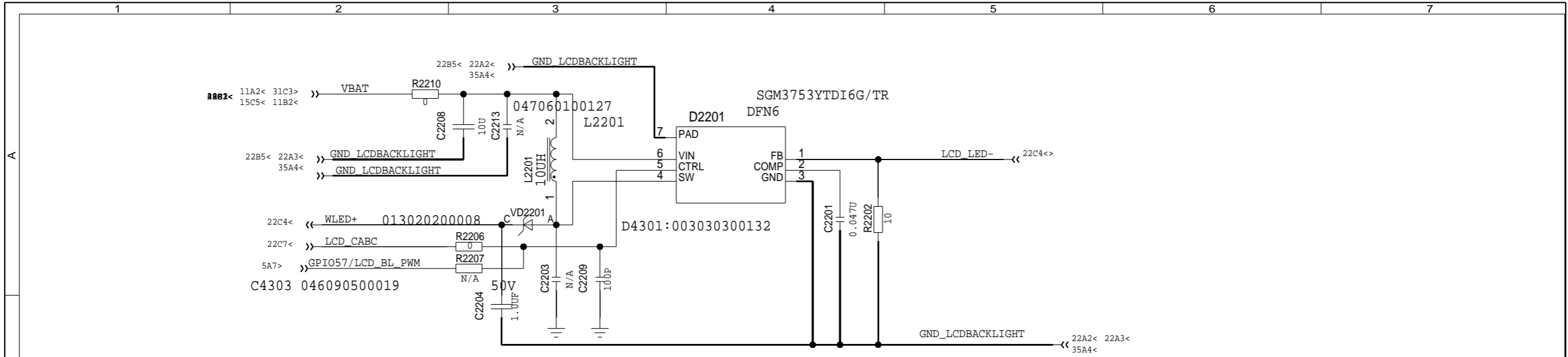


USB/OVP

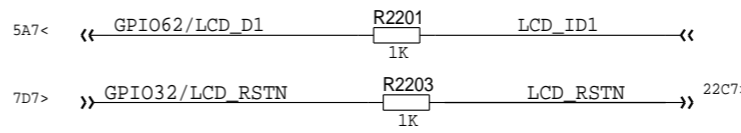
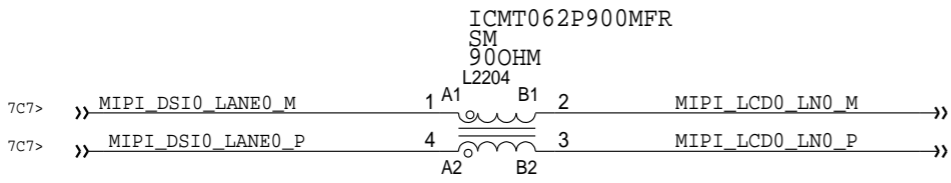
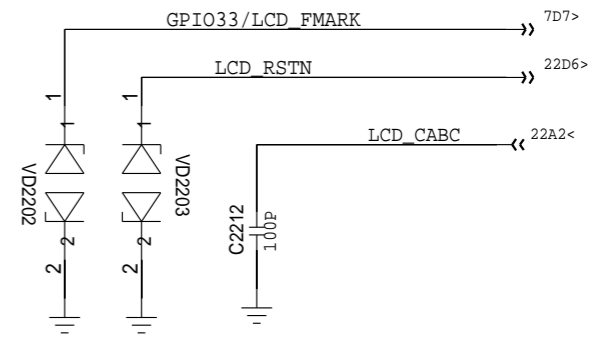
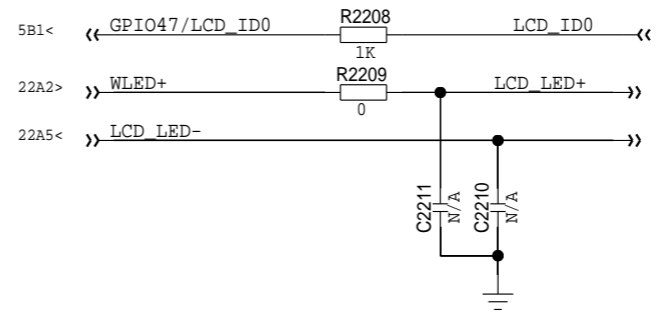
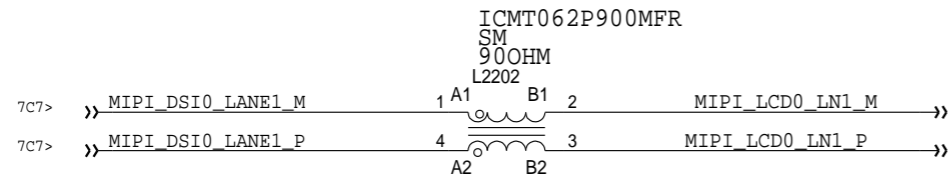
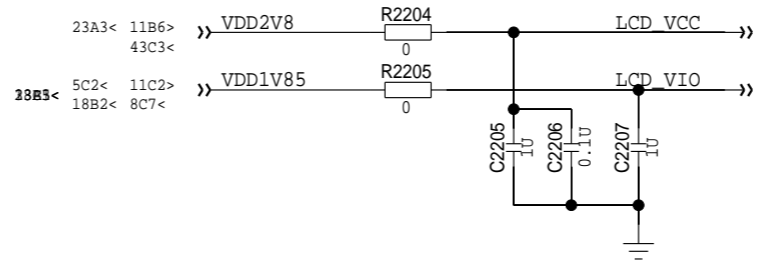
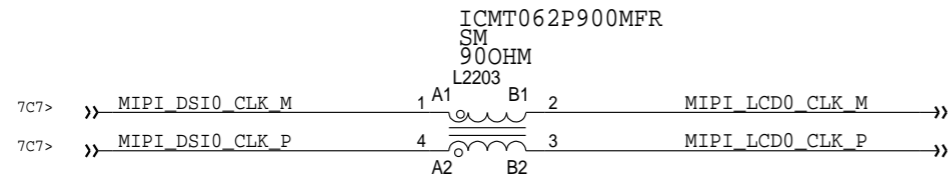
ZTE CORPORATION		MODEL: <AMODEL>	SHEET 20F <APAGE>
DRAWN	<ADRAWN>	TITLE: <ATITLE>	VERSION: <AVERSION>
CHECKED	<ACHECKED>	DRAWING NO.: <ADRAWINGNO>	

SIZEA4

THIS DOCUMENT CONTAINS INFORMATION PROPRIETARY TO ZTE CORPORATION (ZTE), USE OR DISCLOSURE WITHOUT THE WRITTEN PERMISSION OF AN OFFICER OF ZTE IS EXPRESSLY FORBIDDEN.



PCB NOTE:
 AS LONG AS THE LOOP IS SHORT AND THE SECOND LAYERS HAVE MORE COMPLETE GROUND, THE BACKLIGHT DRIVER CAN NOT DO SINGLE POINT.

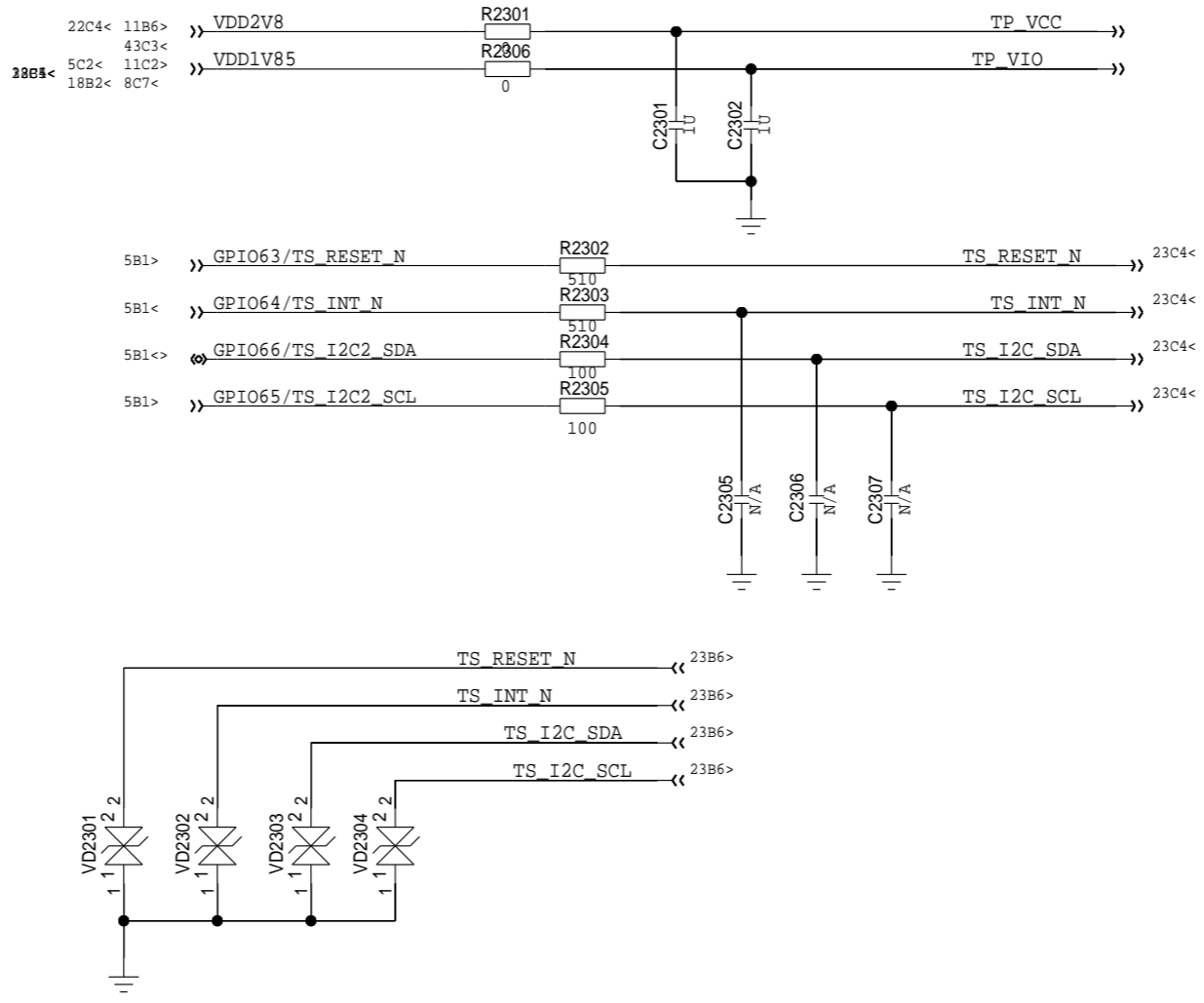


BACKLIGHT & LCD

ZTE CORPORATION		MODEL: <AMODEL>	SHEET 28F <APAGE>
DRAWN	<ADRAWN>	TITLE: <ATITLE>	VERSION: <AVERSION>
CHECKED	<ACHECKED>	DRAWING NO.: <ADRAWINGNO>	

SIZEA4

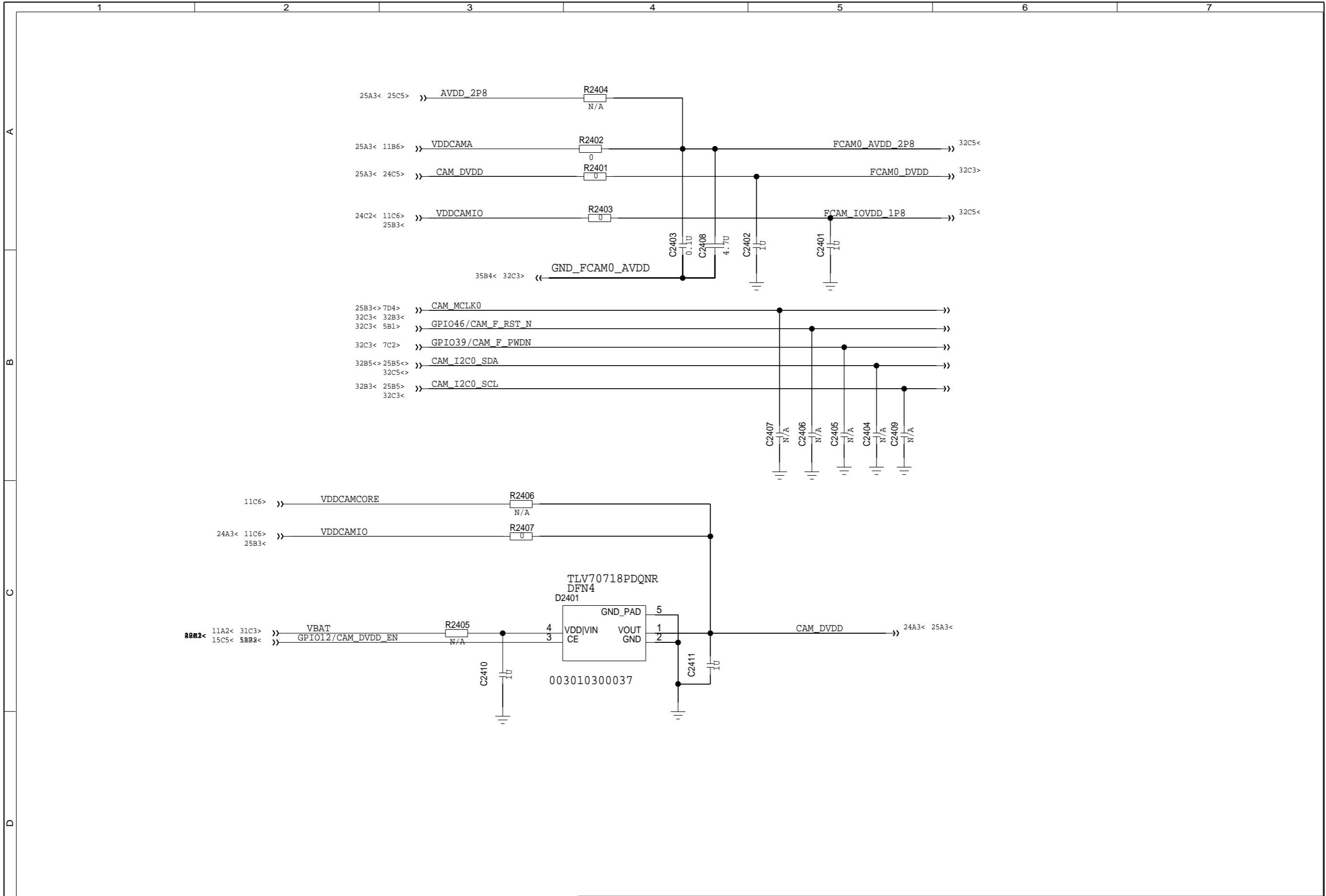
THIS DOCUMENT CONTAINS INFORMATION PROPRIETARY TO ZTE CORPORATION (ZTE), USE OR DISCLOSURE WITHOUT THE WRITTEN PERMISSION OF AN OFFICER OF ZTE IS EXPRESSLY FORBIDDEN.



TP

ZTE CORPORATION		MODEL: <AMODEL>	SHEET 23F <APAGE>
DRAWN	<ADRAWN>	TITLE: <ATITLE>	VERSION: <AVERSION>
CHECKED	<ACHECKED>	DRAWING NO.: <ADRAWINGNO>	

THIS DOCUMENT CONTAINS INFORMATION PROPRIETARY TO ZTE CORPORATION (ZTE). USE OR DISCLOSURE WITHOUT THE WRITTEN PERMISSION OF AN OFFICER OF ZTE IS EXPRESSLY FORBIDDEN.

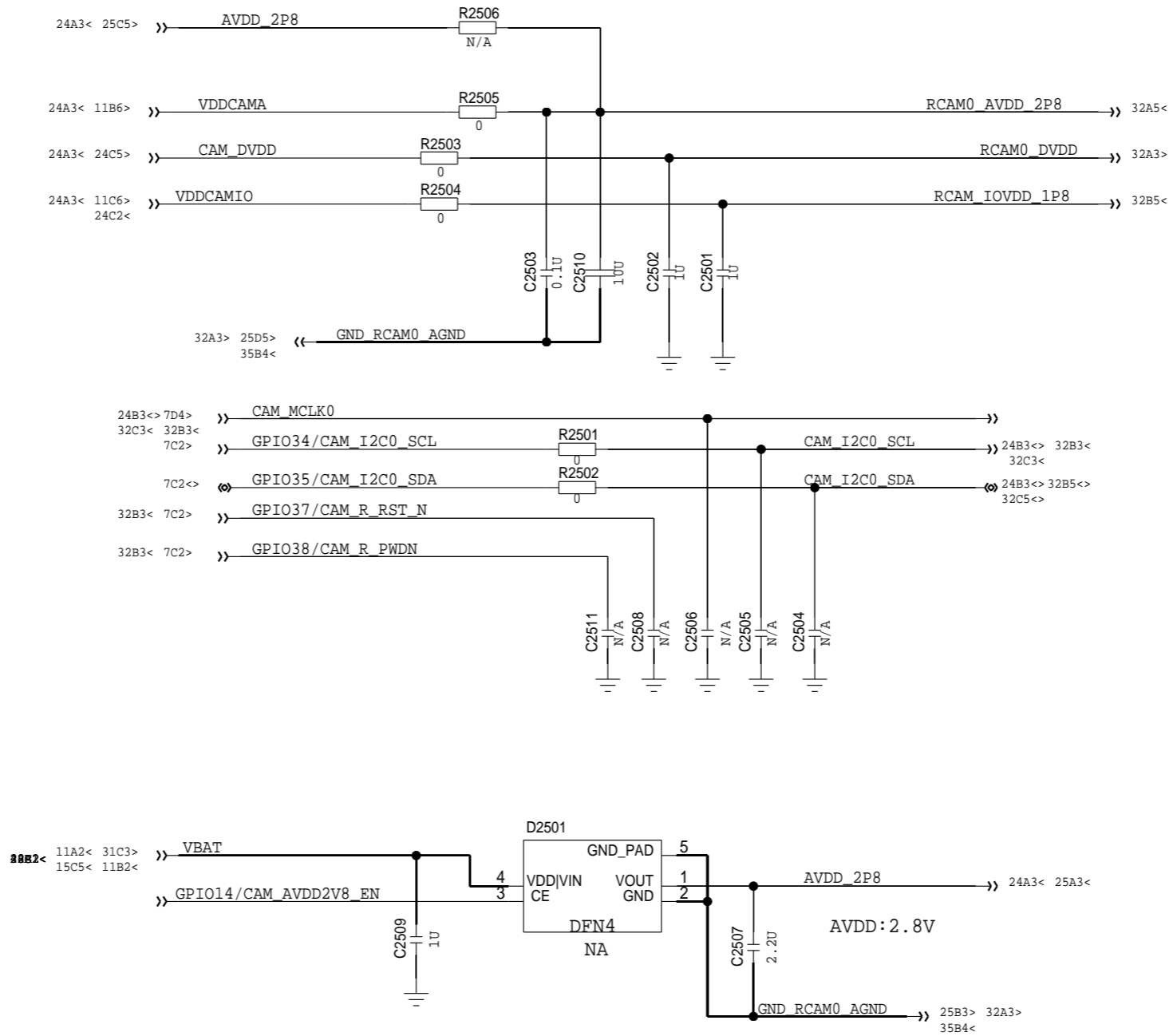


FRONT CAMERA

ZTE CORPORATION		MODEL: <AMODEL>	SHEET 24F <APAGE>	
DRAWN	<ADRAWN>	TITLE: <ATITLE>	VERSION: <AVERSION>	
CHECKED	<ACHECKED>	DRAWING NO.: <ADRAWINGNO>		

SIZEA4

THIS DOCUMENT CONTAINS INFORMATION PROPRIETARY TO ZTE CORPORATION (ZTE), USE OR DISCLOSURE WITHOUT THE WRITTEN PERMISSION OF AN OFFICER OF ZTE IS EXPRESSLY FORBIDDEN.

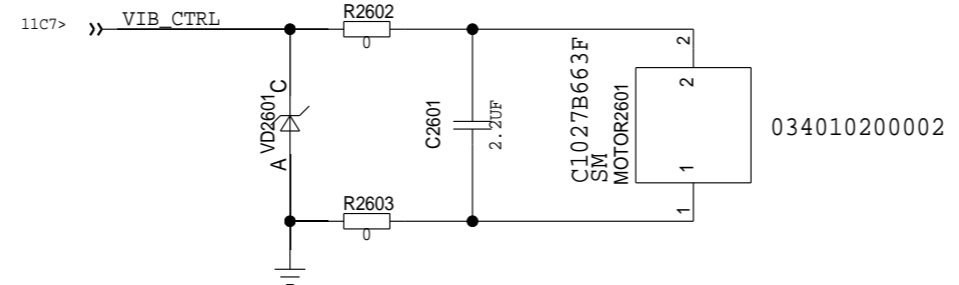
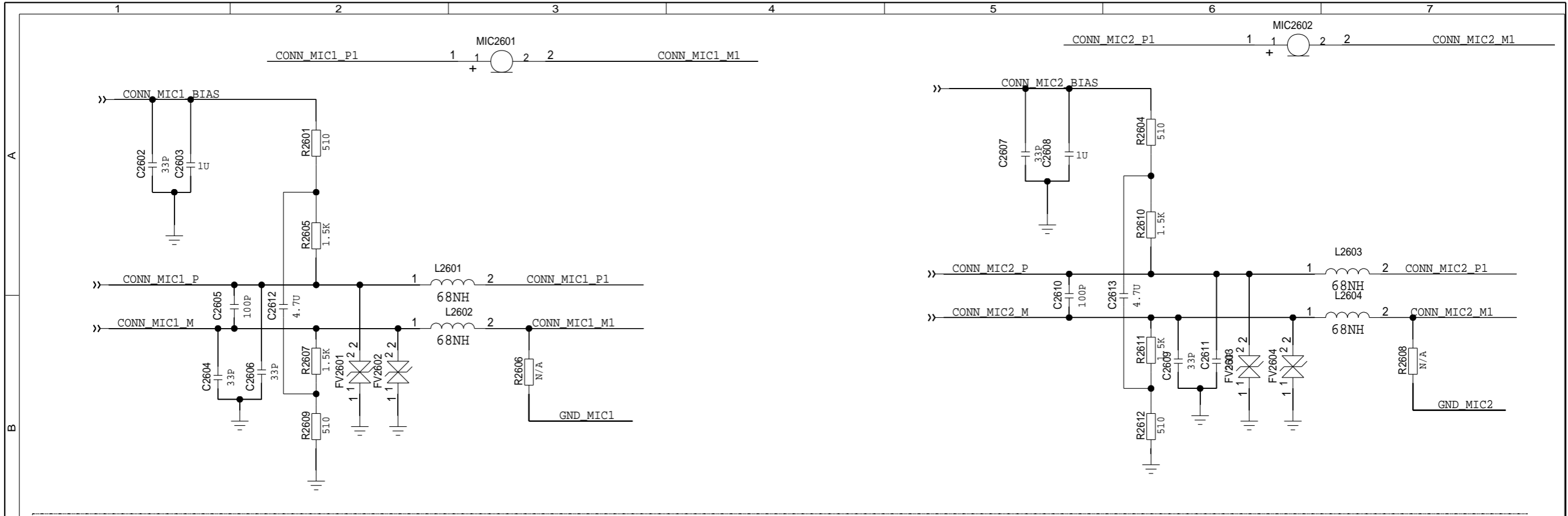


REAR CAMERA

ZTE CORPORATION		MODEL: <AMODEL>	SHEET 25F <APAGE>
DRAWN	<ADRAWN>	TITLE: <ATITLE>	VERSION: <AVERSION>
CHECKED	<ACHECKED>	DRAWING NO.: <ADRAWINGNO>	

SIZEA4

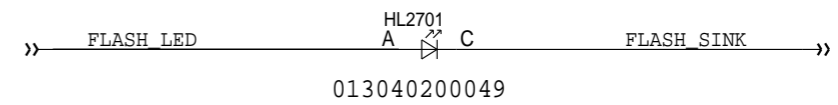
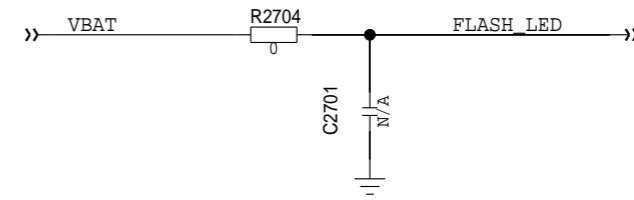
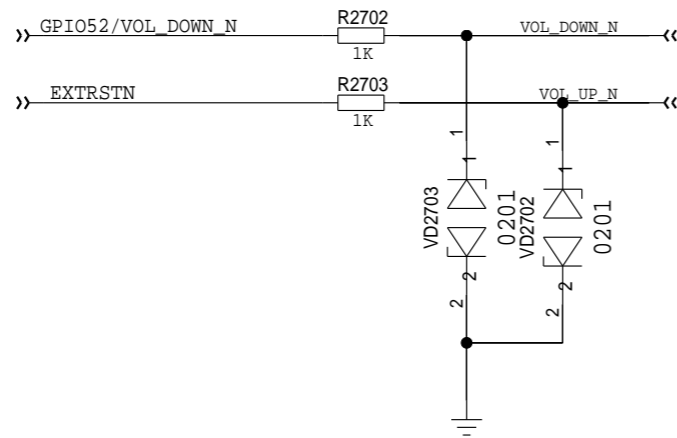
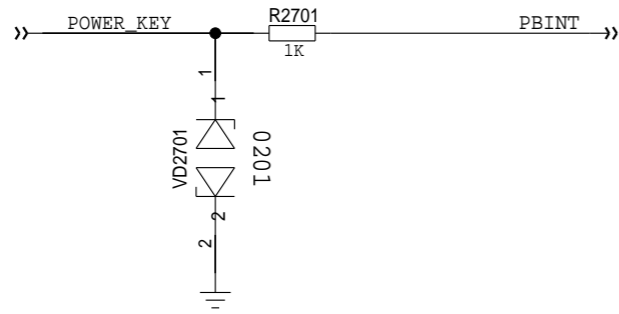
THIS DOCUMENT CONTAINS INFORMATION PROPRIETARY TO ZTE CORPORATION (ZTE), USE OR DISCLOSURE WITHOUT THE WRITTEN PERMISSION OF AN OFFICER OF ZTE IS EXPRESSLY FORBIDDEN.



VIBRATOR

ZTE CORPORATION		MODEL: <AMODEL>	SHEET 26F <APAGE>
DRAWN	<ADRAWN>	TITLE: <ATITLE>	VERSION: <AVERSION>
CHECKED	<ACHECKED>	DRAWING NO.: <ADRAWINGNO>	

SIZEA4



THIS DOCUMENT CONTAINS INFORMATION PROPRIETARY TO ZTE CORPORATION (ZTE), USE OR DISCLOSURE WITHOUT THE WRITTEN PERMISSION OF AN OFFICER OF ZTE IS EXPRESSLY FORBIDDEN.

KEYS, LED & FLASH

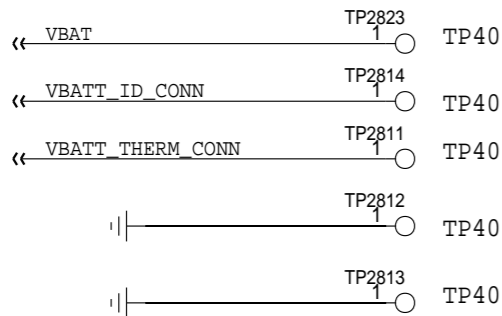
ZTE CORPORATION		MODEL: <AMODEL>	SHEET 20F 43	
DRAWN	<ADRAWN>	TITLE: <ATITLE>	VERSION: <AVERSION>	
CHECKED	<ACHECKED>	DRAWING NO.: <ADRAWINGNO>		

SIZEA4

THIS DOCUMENT CONTAINS INFORMATION PROPRIETARY TO ZTE CORPORATION (ZTE), USE OR DISCLOSURE WITHOUT THE WRITTEN PERMISSION OF AN OFFICER OF ZTE IS EXPRESSLY FORBIDDEN.

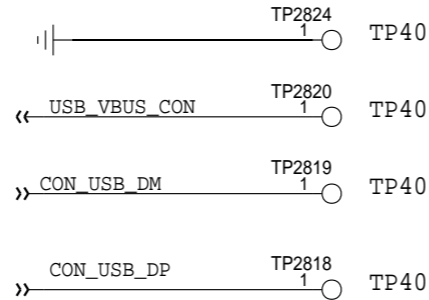
PRODUCT TEST POINTS

VBAT

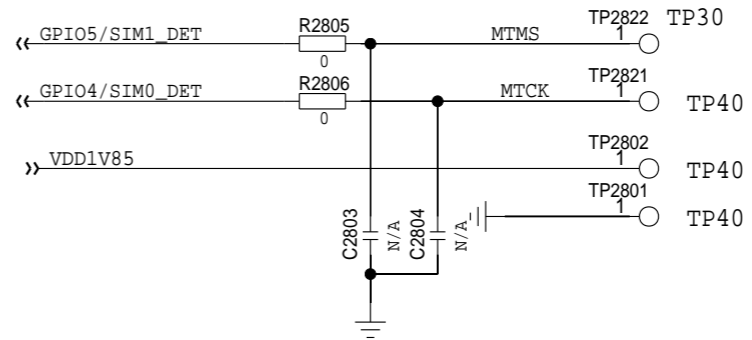


OUTSIDE OF BOTTOM SHILDING

USB



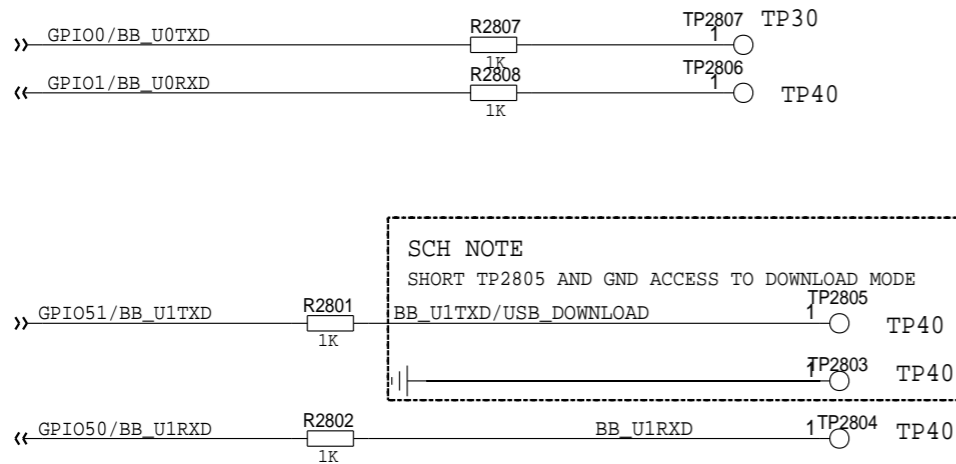
ARM JTAG



JTAG TEST POINTS NOT EXPOSED TO THE OUTSIDE OF THE SHELL

DEBUG TEST POINT

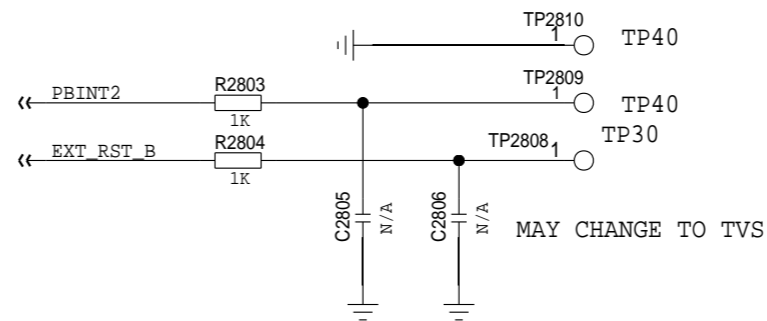
UART



SCH NOTE
SHORT TP2805 AND GND ACCESS TO DOWNLOAD MODE
BB_U1TXD/USB_DOWNLOAD

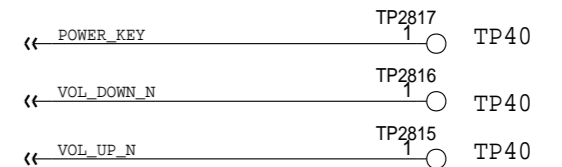
PCB NOTE:
R2801-R2804 MUST BE PLACED INSIDE OF BOTTOM SHILDING

RESET



MAY CHANGE TO TVS

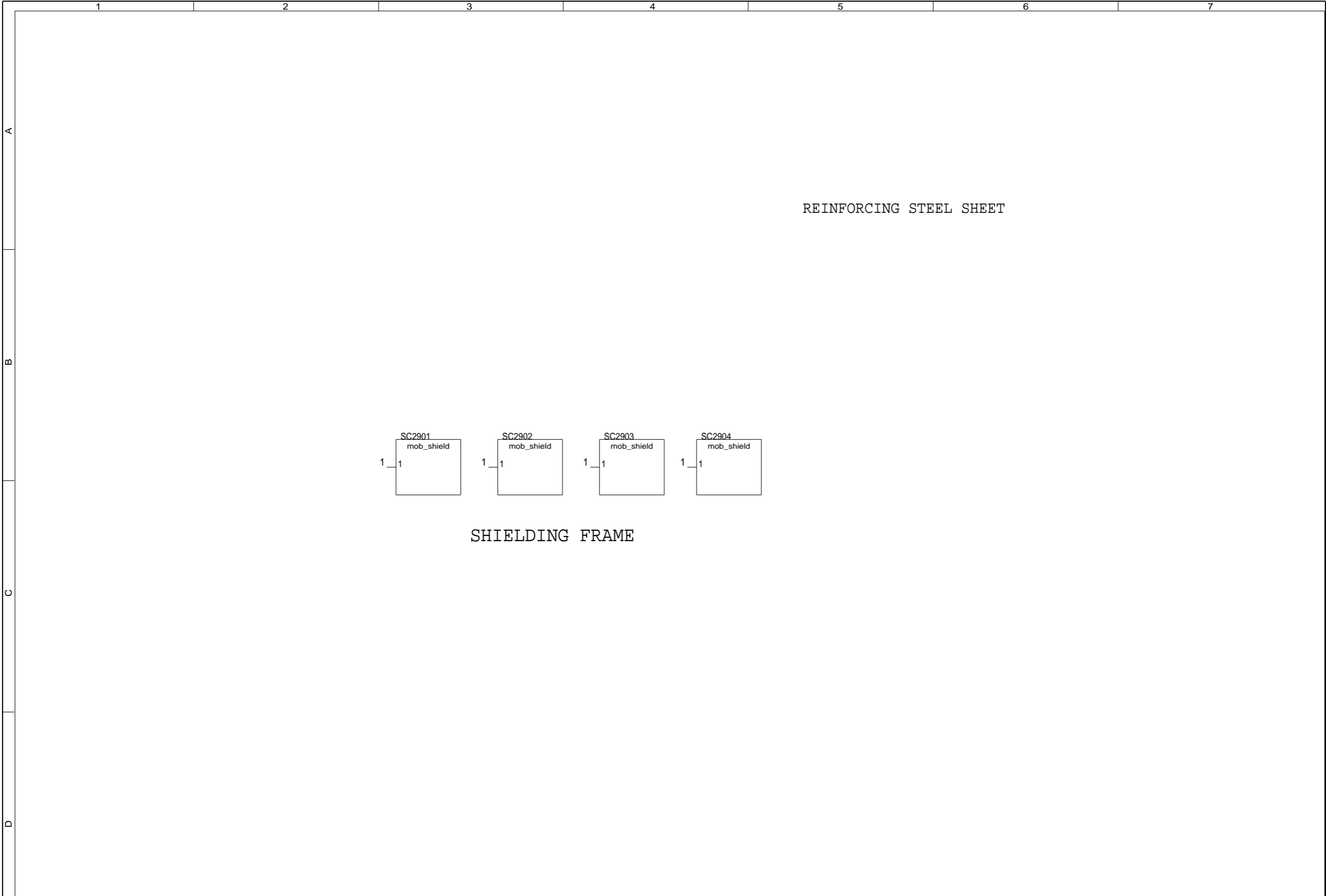
KEYS



TEST POINTS

ZTE CORPORATION		MODEL: <AMODEL>	SHEET 2 OF 43	
DRAWN	<ADRAWN>	TITLE: <ATITLE>	VERSION: <AVERSION>	
CHECKED	<ACHECKED>	DRAWING NO.: <ADRAWINGNO>		

THIS DOCUMENT CONTAINS INFORMATION PROPRIETARY TO ZTE CORPORATION (ZTE). USE OR DISCLOSURE WITHOUT THE WRITTEN PERMISSION OF AN OFFICER OF ZTE IS EXPRESSLY FORBIDDEN.

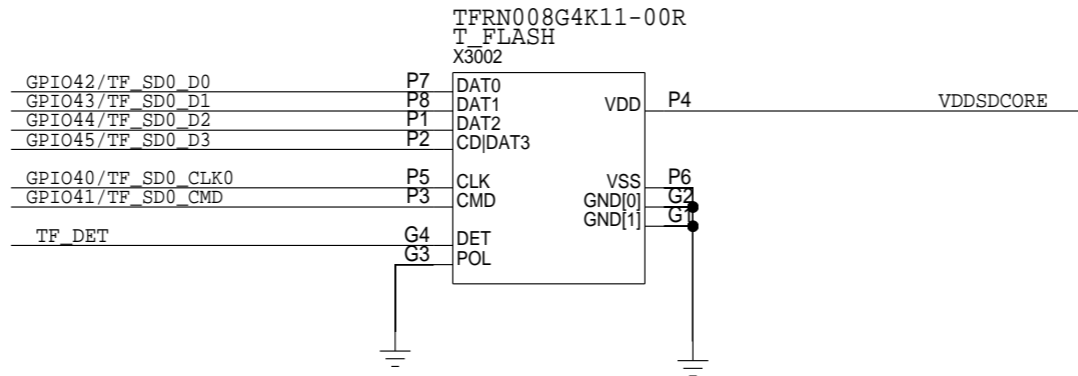


SHIELDING& GND CONN

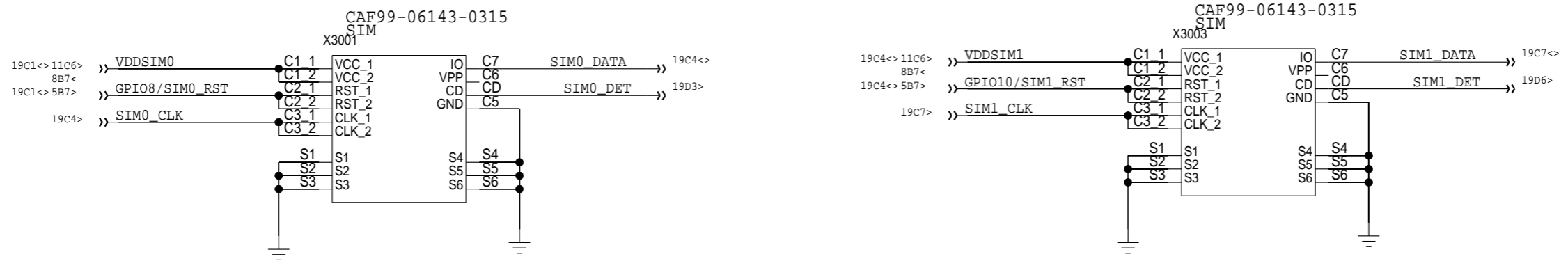
ZTE CORPORATION		MODEL: <AMODEL>	SHEET 0F 43
DRAWN	<ADRAWN>	TITLE: <ATITLE>	VERSION: <AVERSION>
CHECKED	<ACHECKED>	DRAWING NO.: <ADRAWINGNO>	

SIZEA4

T_FLASH CONN



SIM_CONN



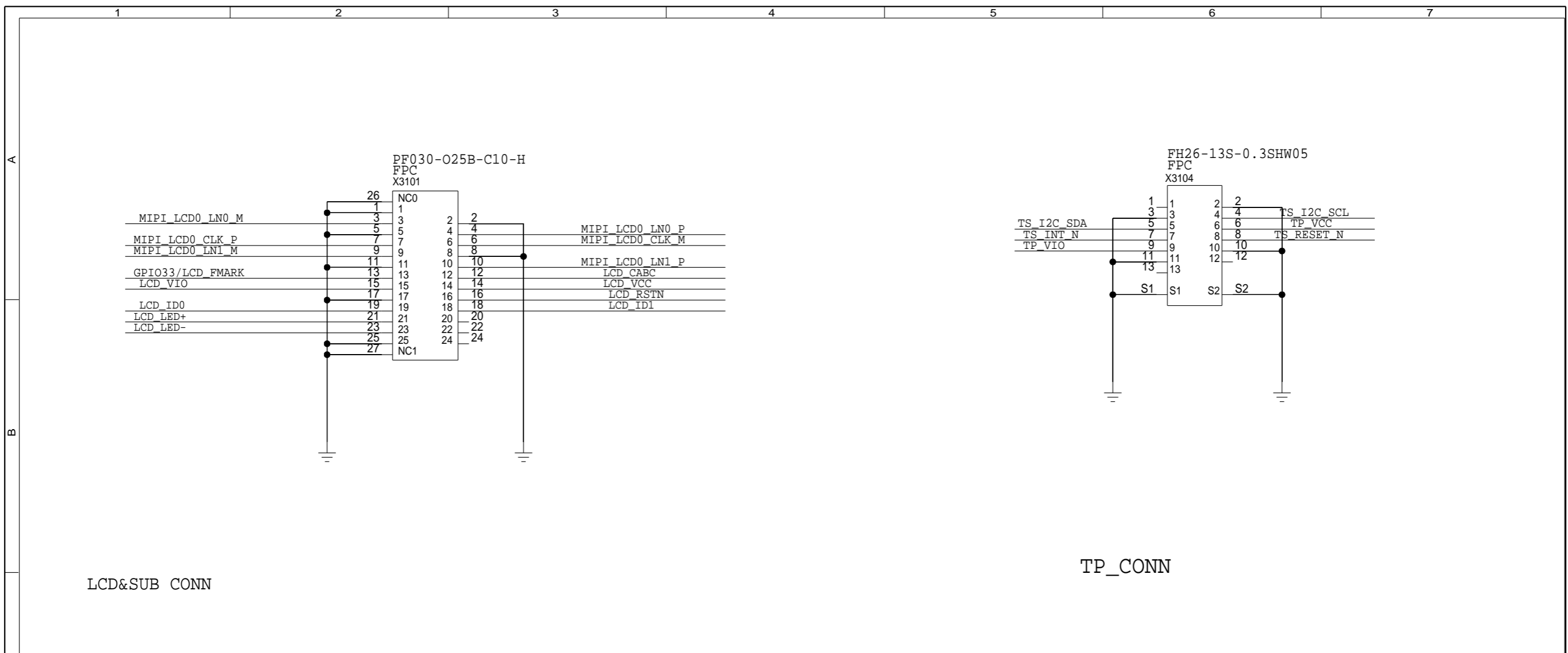
THIS DOCUMENT CONTAINS INFORMATION PROPRIETARY TO ZTE CORPORATION (ZTE), USE OR DISCLOSURE WITHOUT THE WRITTEN PERMISSION OF AN OFFICER OF ZTE IS EXPRESSLY FORBIDDEN.

SIZEA4

SIM/T CARD CONNECTER

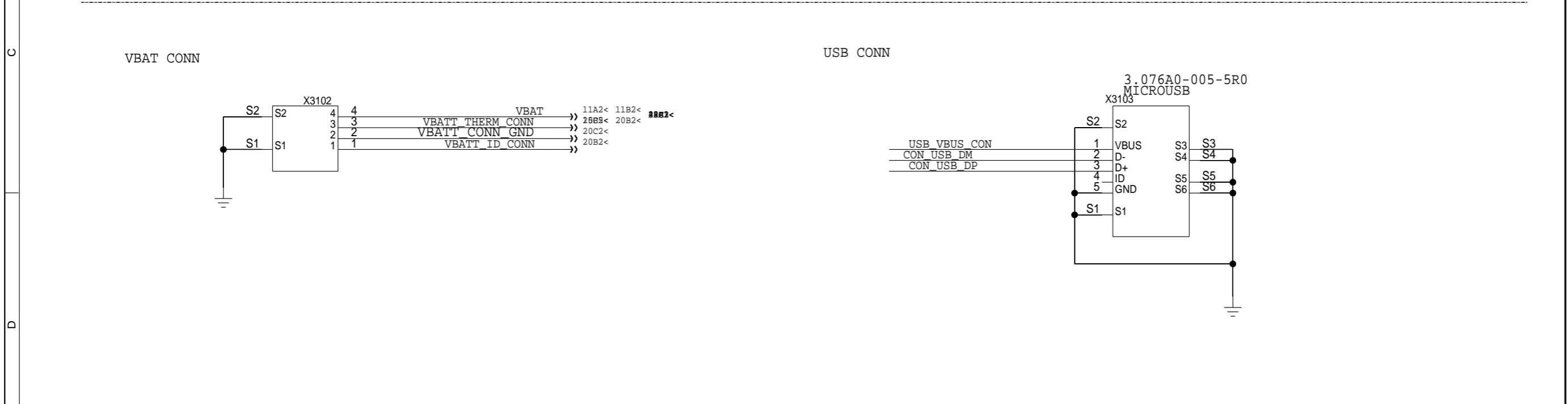
ZTE CORPORATION		MODEL: <AMODEL>	SHEET 30F 43
DRAWN	<ADRAWN>	TITLE: <ATITLE>	VERSION: <AVERSION>
CHECKED	<ACHECKED>	DRAWING NO.: <ADRAWINGNO>	

THIS DOCUMENT CONTAINS INFORMATION PROPRIETARY TO ZTE CORPORATION (ZTE), USE OR DISCLOSURE WITHOUT THE WRITTEN PERMISSION OF AN OFFICER OF ZTE IS EXPRESSLY FORBIDDEN.



LCD&SUB CONN

TP_CONN



VBAT CONN

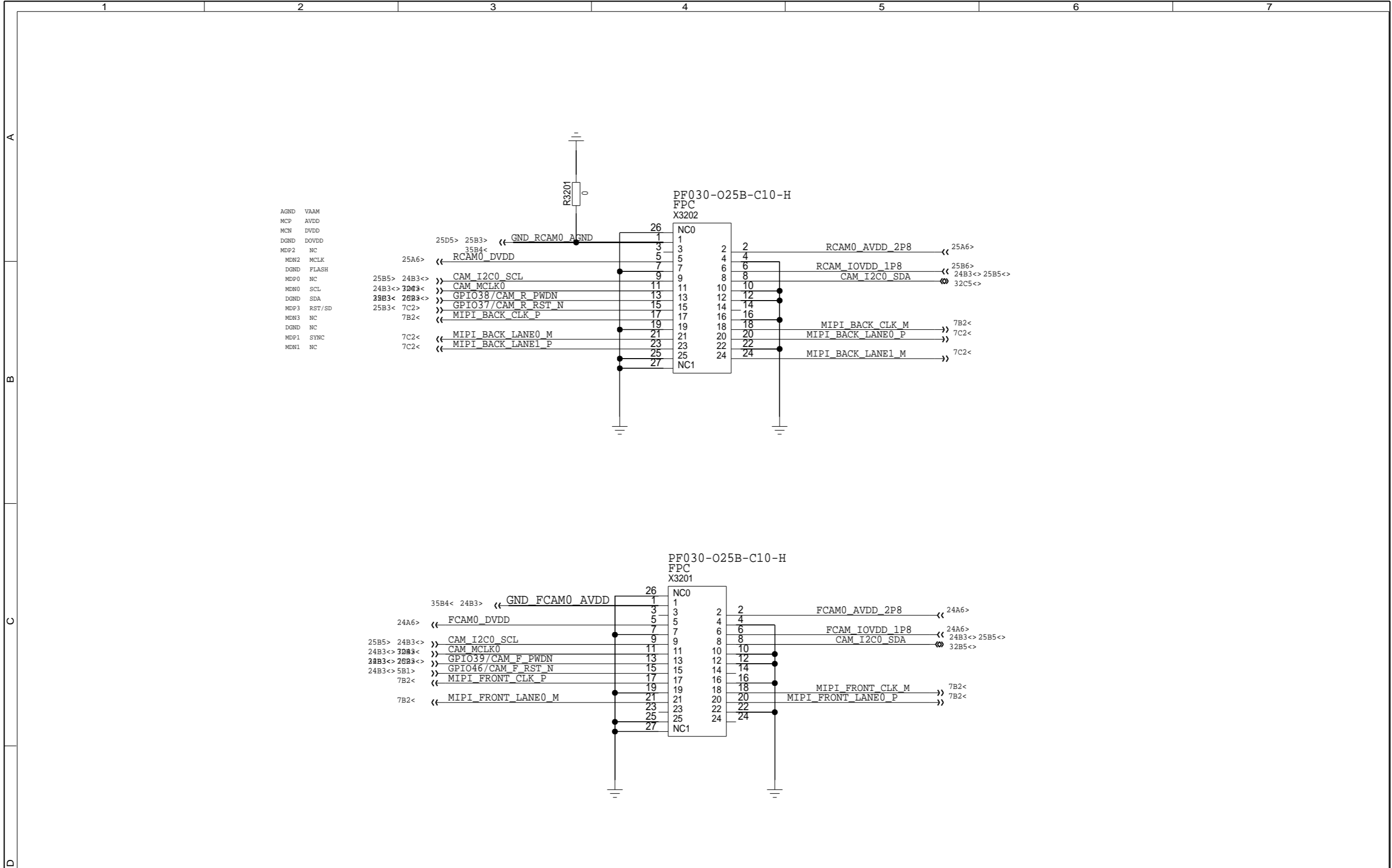
USB CONN

ZTE CORPORATION		MODEL: <AMODEL>	SHEET 30F 43	
DRAWN	<ADRAWN>	TITLE: <ATITLE>	VERSION: <AVERSION>	
CHECKED	<ACHECKED>	DRAWING NO.: <ADRAWINGNO>		

LCD/VBAT/USB CONNECTER

SIZEA4

THIS DOCUMENT CONTAINS INFORMATION PROPRIETARY TO ZTE CORPORATION (ZTE), USE OR DISCLOSURE WITHOUT THE WRITTEN PERMISSION OF AN OFFICER OF ZTE IS EXPRESSLY FORBIDDEN.

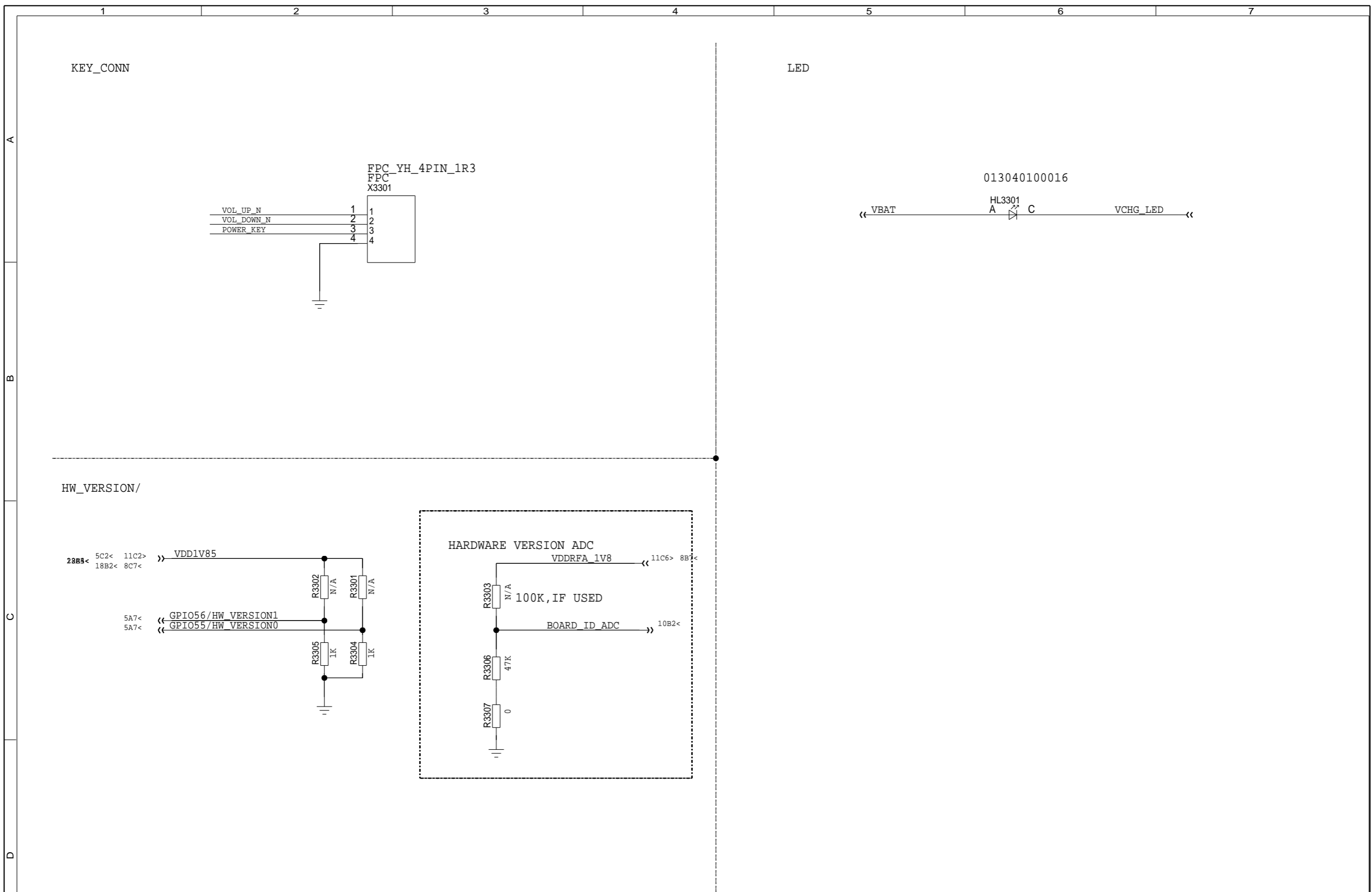


ZTE CORPORATION		MODEL: <AMODEL>	SHEET 38F <APAGE>
DRAWN	<ADRAWN>	TITLE: <ATITLE>	VERSION: <AVERSION>
CHECKED	<ACHECKED>	DRAWING NO.: <ADRAWINGNO>	

CAMERA CONNETOR

SIZEA4

THIS DOCUMENT CONTAINS INFORMATION PROPRIETARY TO ZTE CORPORATION (ZTE), USE OR DISCLOSURE WITHOUT THE WRITTEN PERMISSION OF AN OFFICER OF ZTE IS EXPRESSLY FORBIDDEN.

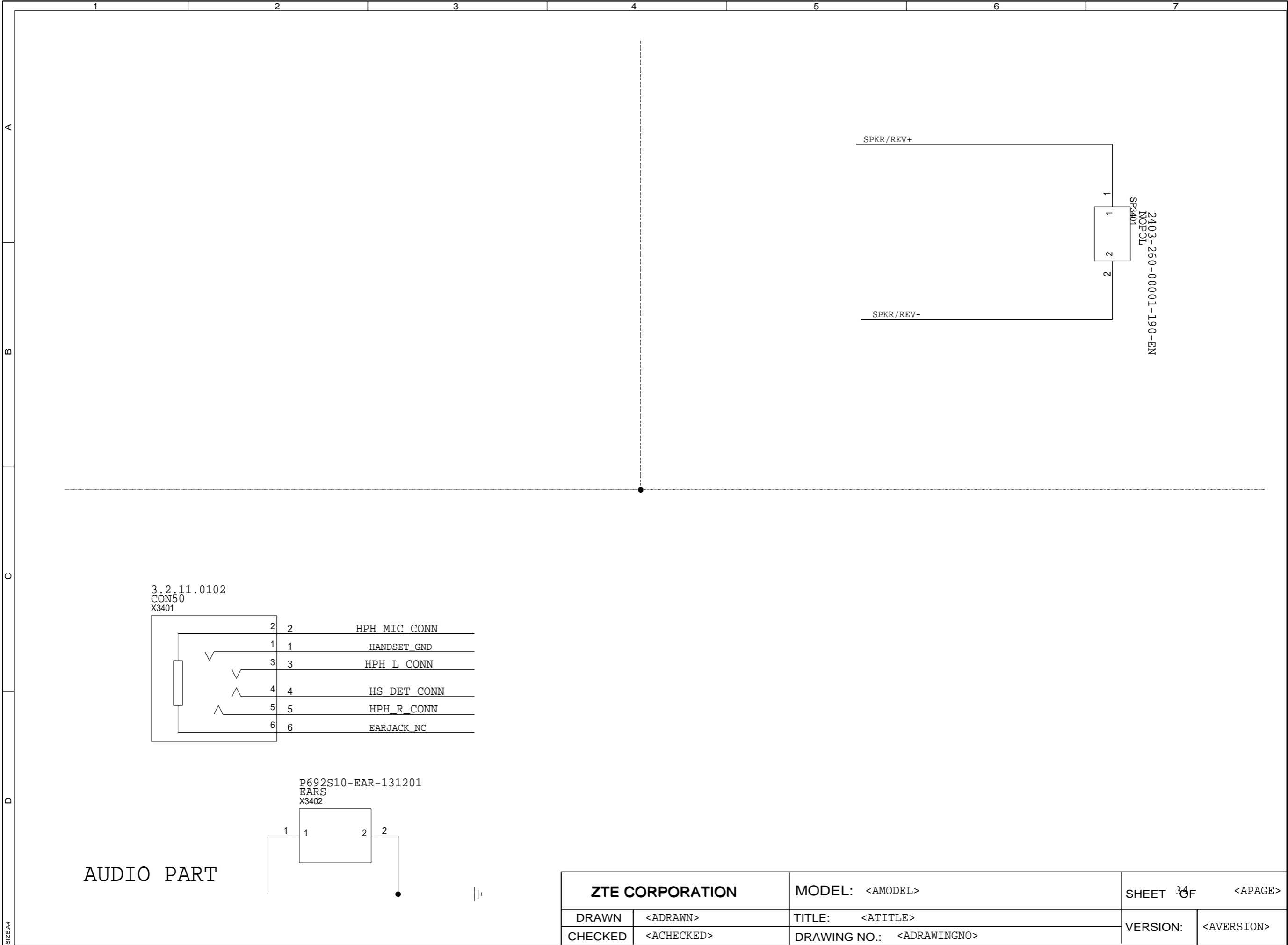


KEY_CONN/HW_VERSION/LED

ZTE CORPORATION		MODEL: <AMODEL>	SHEET 33F <APAGE>
DRAWN	<ADRAWN>	TITLE: <ATITLE>	VERSION: <AVERSION>
CHECKED	<ACHECKED>	DRAWING NO.: <ADRAWINGNO>	

SIZEA4

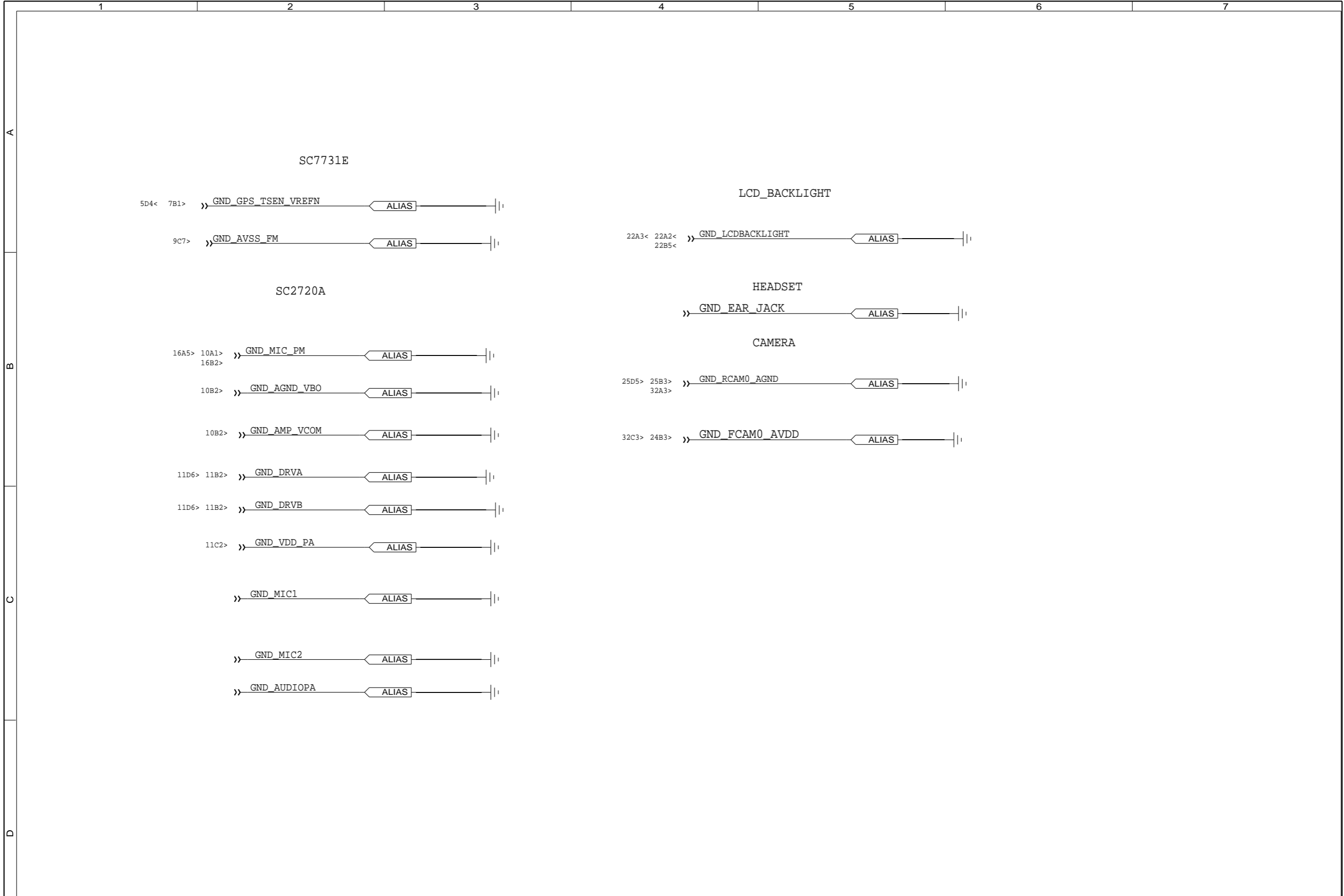
THIS DOCUMENT CONTAINS INFORMATION PROPRIETARY TO ZTE CORPORATION (ZTE), USE OR DISCLOSURE WITHOUT THE WRITTEN PERMISSION OF AN OFFICER OF ZTE IS EXPRESSLY FORBIDDEN.



AUDIO PART

ZTE CORPORATION		MODEL: <AMODEL>	SHEET 34 OF <APAGE>	
DRAWN	<ADRAWN>	TITLE: <ATITLE>	VERSION:	<AVERSION>
CHECKED	<ACHECKED>	DRAWING NO.: <ADRAWINGNO>		

THIS DOCUMENT CONTAINS INFORMATION PROPRIETARY TO ZTE CORPORATION (ZTE), USE OR DISCLOSURE WITHOUT THE WRITTEN PERMISSION OF AN OFFICER OF ZTE IS EXPRESSLY FORBIDDEN.



SINGLE GND

ZTE CORPORATION		MODEL: <AMODEL>	SHEET 35F <APAGE>	
DRAWN	<ADRAWN>	TITLE: <ATITLE>	VERSION:	<AVERSION>
CHECKED	<ACHECKED>	DRAWING NO.: <ADRAWINGNO>		

SIZEA4

1 2 3 4 5 6 7

A

B

C

D

RF

THIS DOCUMENT CONTAINS INFORMATION PROPRIETARY TO ZTE CORPORATION (ZTE). USE OR DISCLOSURE WITHOUT THE WRITTEN PERMISSION OF AN OFFICER OF ZTE IS EXPRESSLY FORBIDDEN.

SIZEA4

ZTE CORPORATION		MODEL: <AMODEL>	SHEET 36 F <APAGE>	
DRAWN	<ADRAWN>	TITLE: <ATITLE>	VERSION:	<AVERSION>
CHECKED	<ACHECKED>	DRAWING NO.: <ADRAWINGNO>		

THIS DOCUMENT CONTAINS INFORMATION PROPRIETARY TO ZTE CORPORATION (ZTE). USE OR DISCLOSURE WITHOUT THE WRITTEN PERMISSION OF AN OFFICER OF ZTE IS EXPRESSLY FORBIDDEN.

1 2 3 4 5 6 7

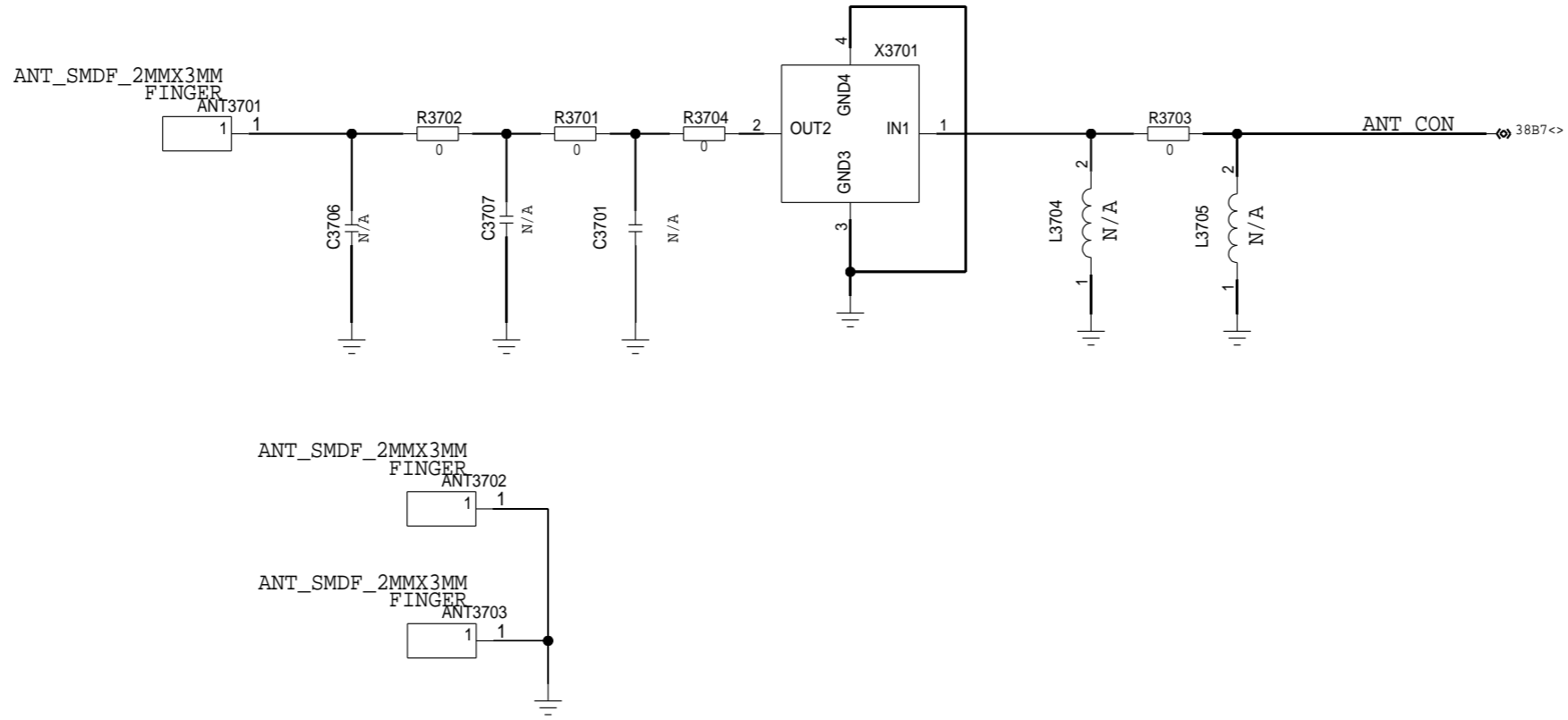
A

B

C

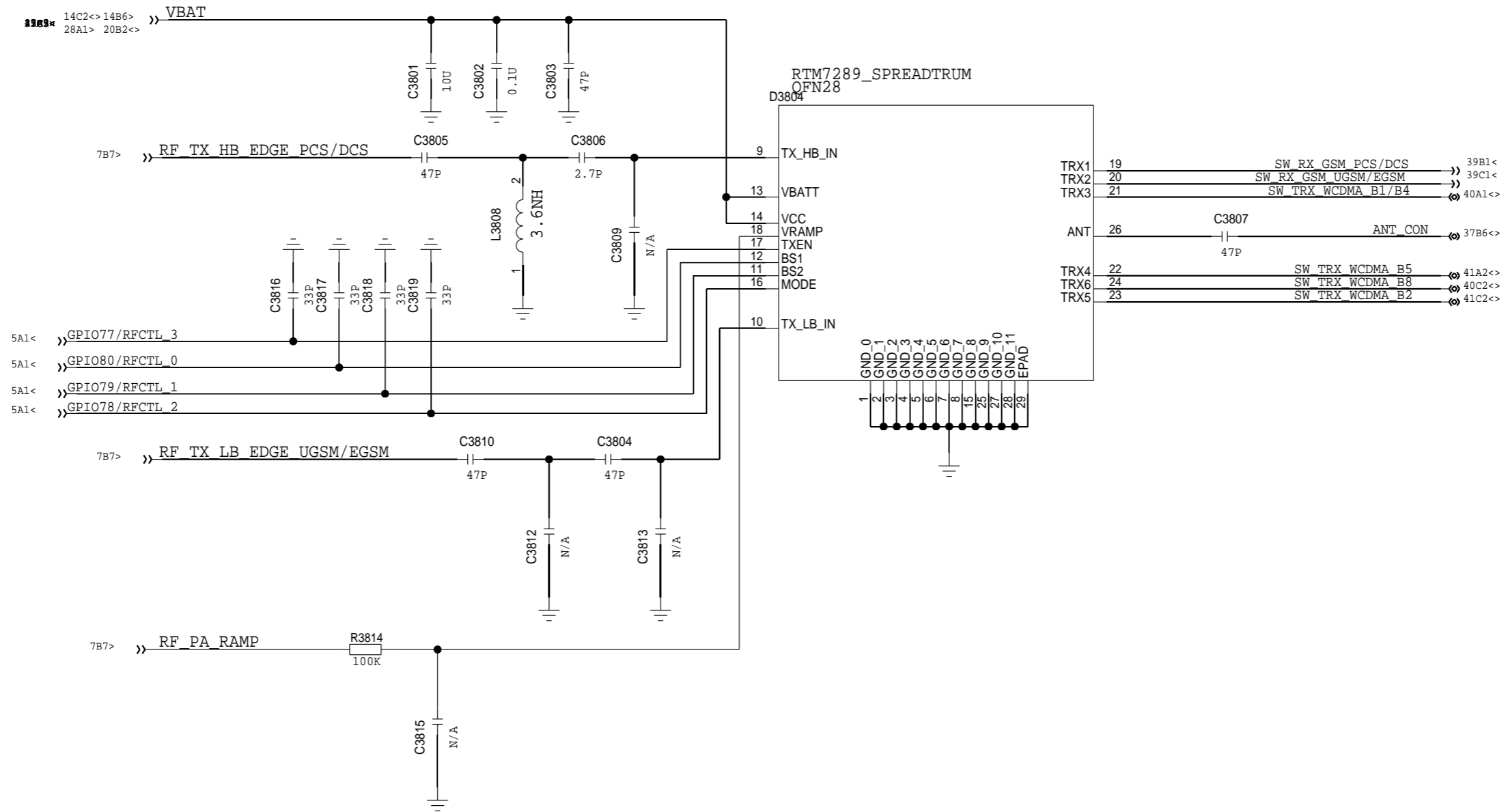
D

RF ANT



ZTE CORPORATION		MODEL: <AMODEL>	SHEET 37F <APAGE>
DRAWN	<ADRAWN>	TITLE: <ATITLE>	VERSION: <AVERSION>
CHECKED	<ACHECKED>	DRAWING NO.: <ADRAWINGNO>	

RF SWITCH & GSM PA

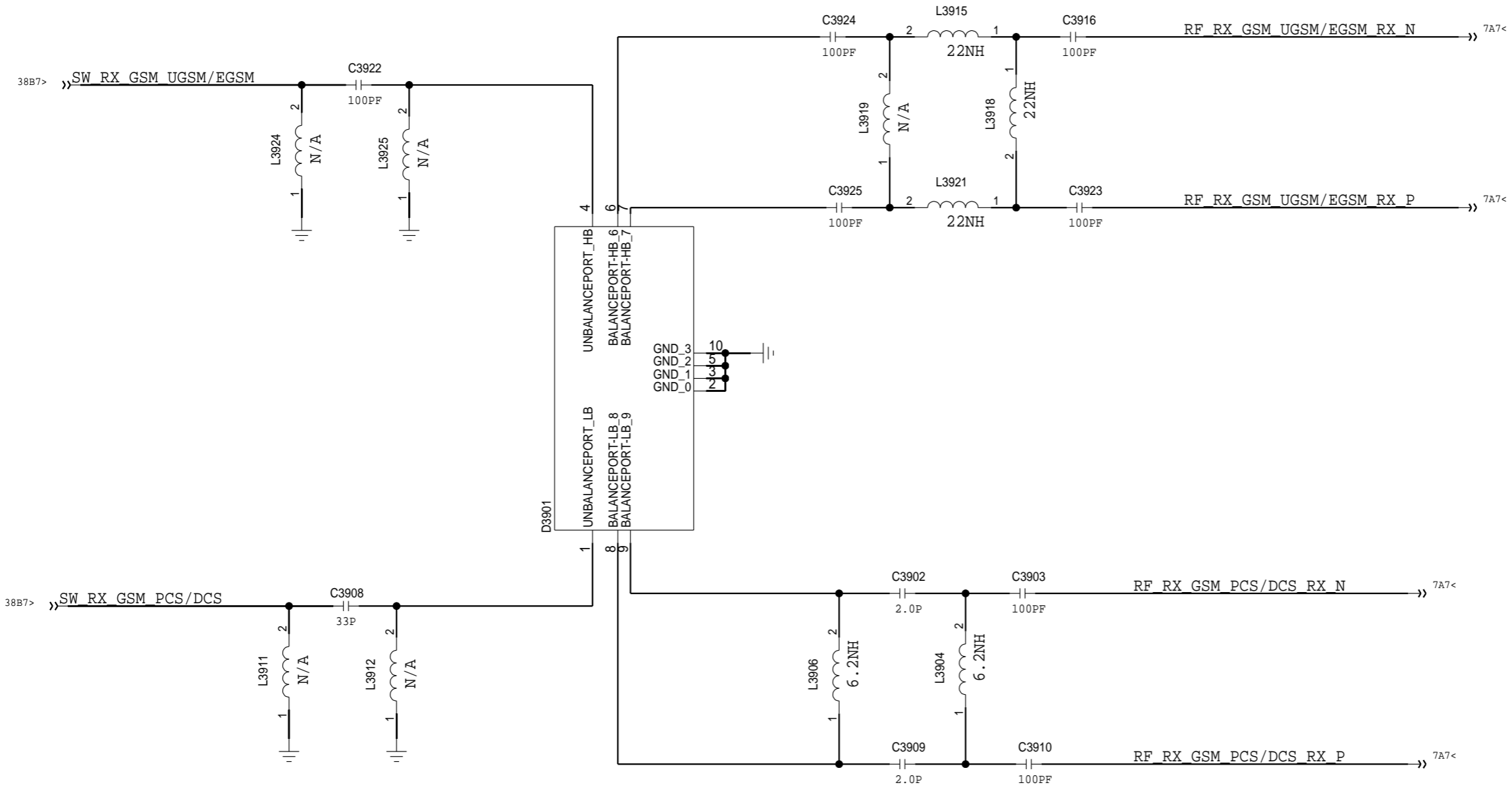


THIS DOCUMENT CONTAINS INFORMATION PROPRIETARY TO ZTE CORPORATION (ZTE). USE OR DISCLOSURE WITHOUT THE WRITTEN PERMISSION OF AN OFFICER OF ZTE IS EXPRESSLY FORBIDDEN.

SIZEA4

ZTE CORPORATION		MODEL: <AMODEL>	SHEET 38F <APAGE>
DRAWN	<ADRAWN>	TITLE: <ATITLE>	VERSION: <AVERSION>
CHECKED	<ACHECKED>	DRAWING NO.: <ADRAWINGNO>	

GSM RX PATH

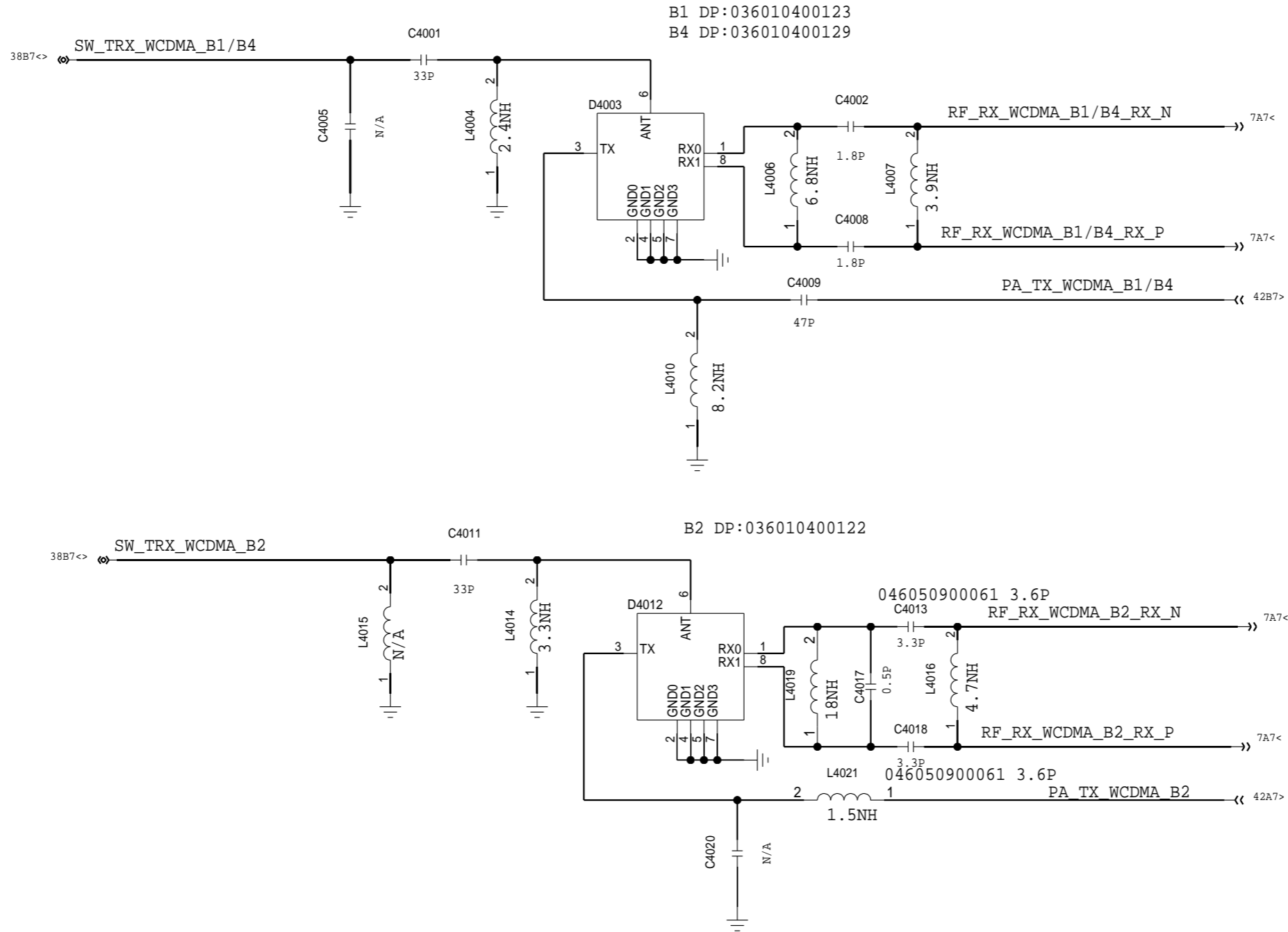


THIS DOCUMENT CONTAINS INFORMATION PROPRIETARY TO ZTE CORPORATION (ZTE), USE OR DISCLOSURE WITHOUT THE WRITTEN PERMISSION OF AN OFFICER OF ZTE IS EXPRESSLY FORBIDDEN.

ZTE CORPORATION		MODEL: <AMODEL>	SHEET 38F <APAGE>
DRAWN	<ADRAWN>	TITLE: <ATITLE>	VERSION: <AVERSION>
CHECKED	<ACHECKED>	DRAWING NO.: <ADRAWINGNO>	

SIZE:A4

WCDMA BAND1/4&2 TRX

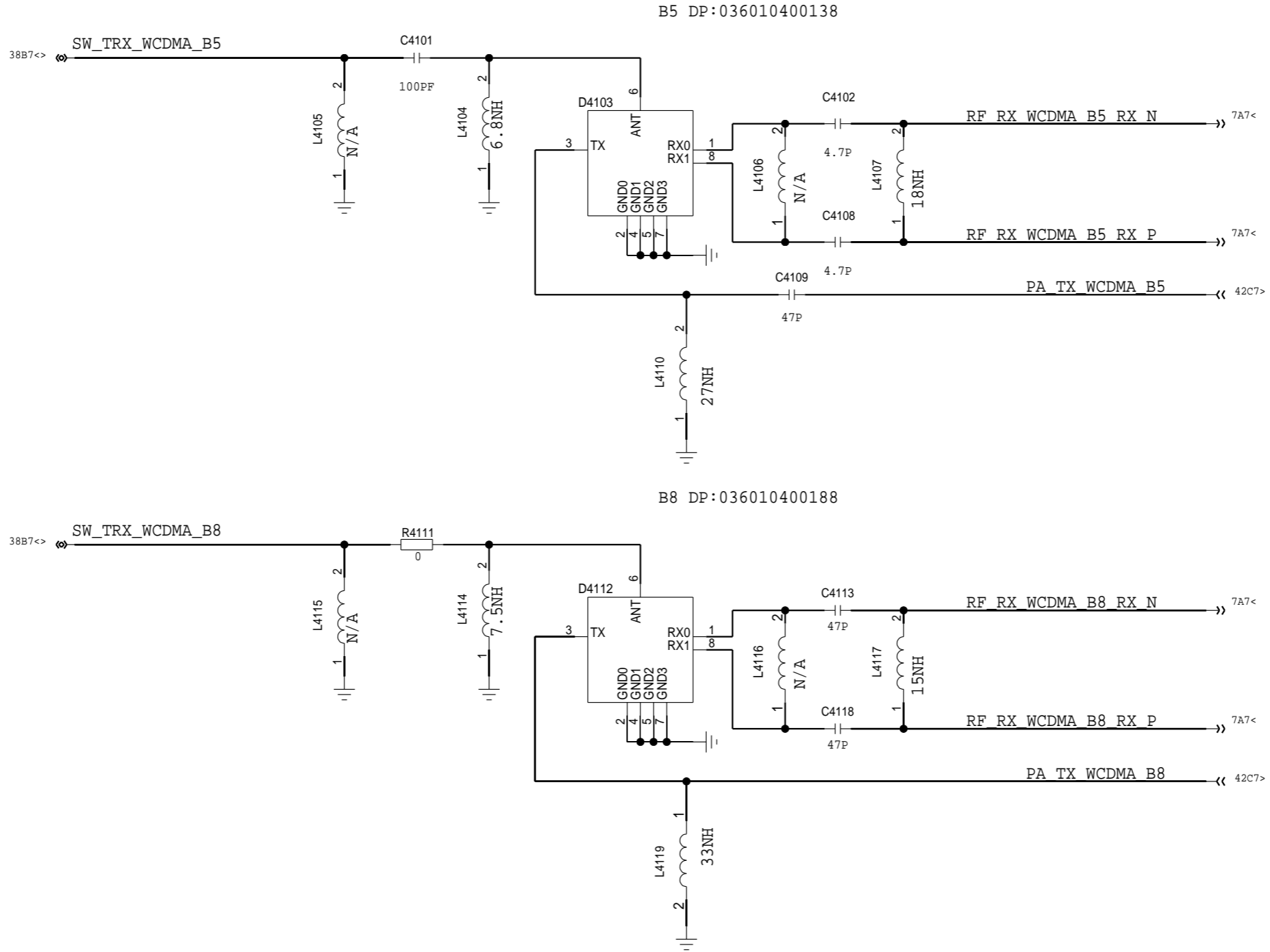


THIS DOCUMENT CONTAINS INFORMATION PROPRIETARY TO ZTE CORPORATION (ZTE), USE OR DISCLOSURE WITHOUT THE WRITTEN PERMISSION OF AN OFFICER OF ZTE IS EXPRESSLY FORBIDDEN.

SIZEA4

ZTE CORPORATION		MODEL: <AMODEL>	SHEET 40F <APAGE>
DRAWN	<ADRAWN>	TITLE: <ATITLE>	VERSION: <AVERSION>
CHECKED	<ACHECKED>	DRAWING NO.: <ADRAWINGNO>	

WCDMA BAND5&8 TRX

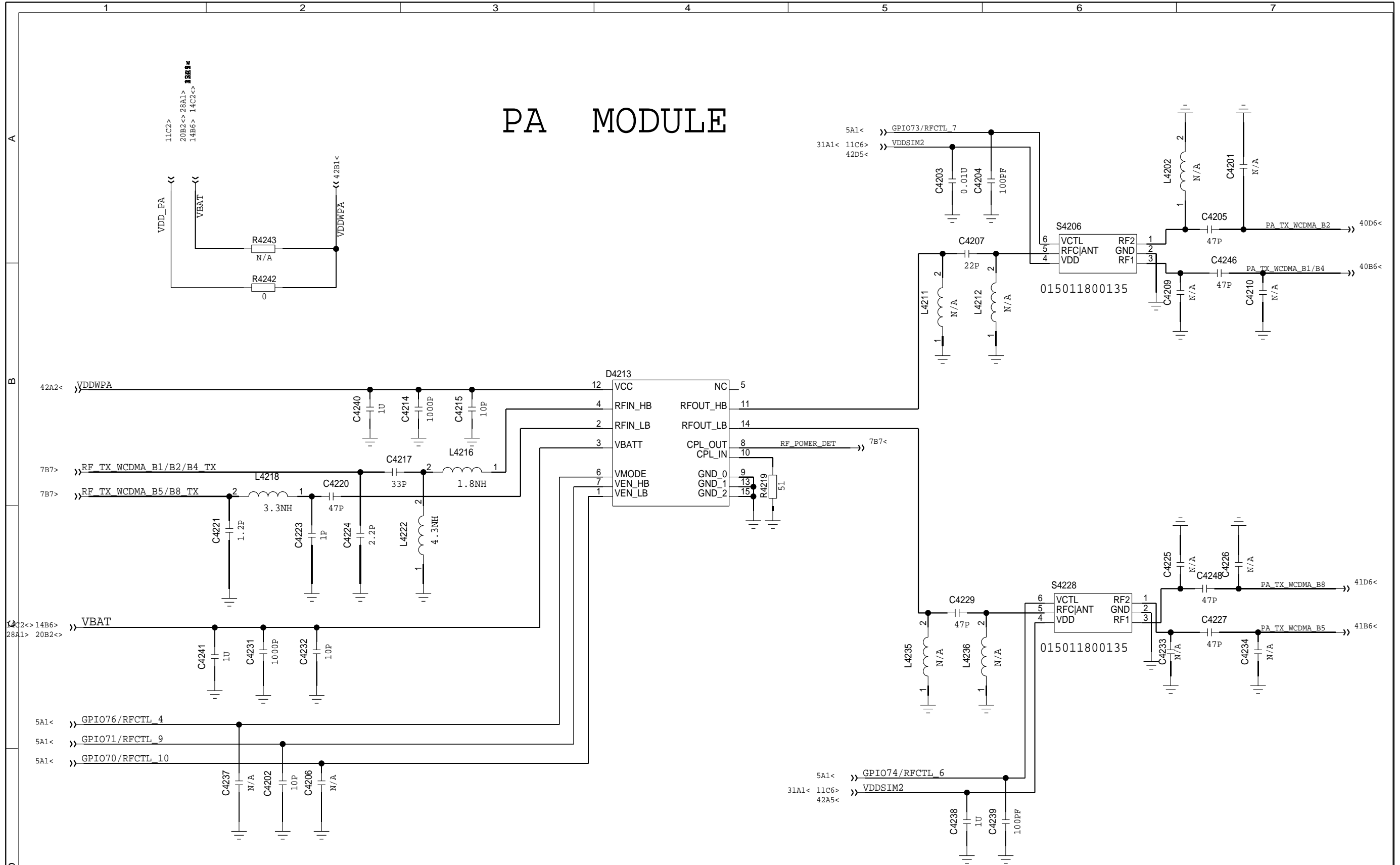


THIS DOCUMENT CONTAINS INFORMATION PROPRIETARY TO ZTE CORPORATION (ZTE). USE OR DISCLOSURE WITHOUT THE WRITTEN PERMISSION OF AN OFFICER OF ZTE IS EXPRESSLY FORBIDDEN.

SIZEA4

ZTE CORPORATION		MODEL: <AMODEL>	SHEET 41F <APAGE>
DRAWN	<ADRAWN>	TITLE: <ATITLE>	VERSION: <AVERSION>
CHECKED	<ACHECKED>	DRAWING NO.: <ADRAWINGNO>	

PA MODULE

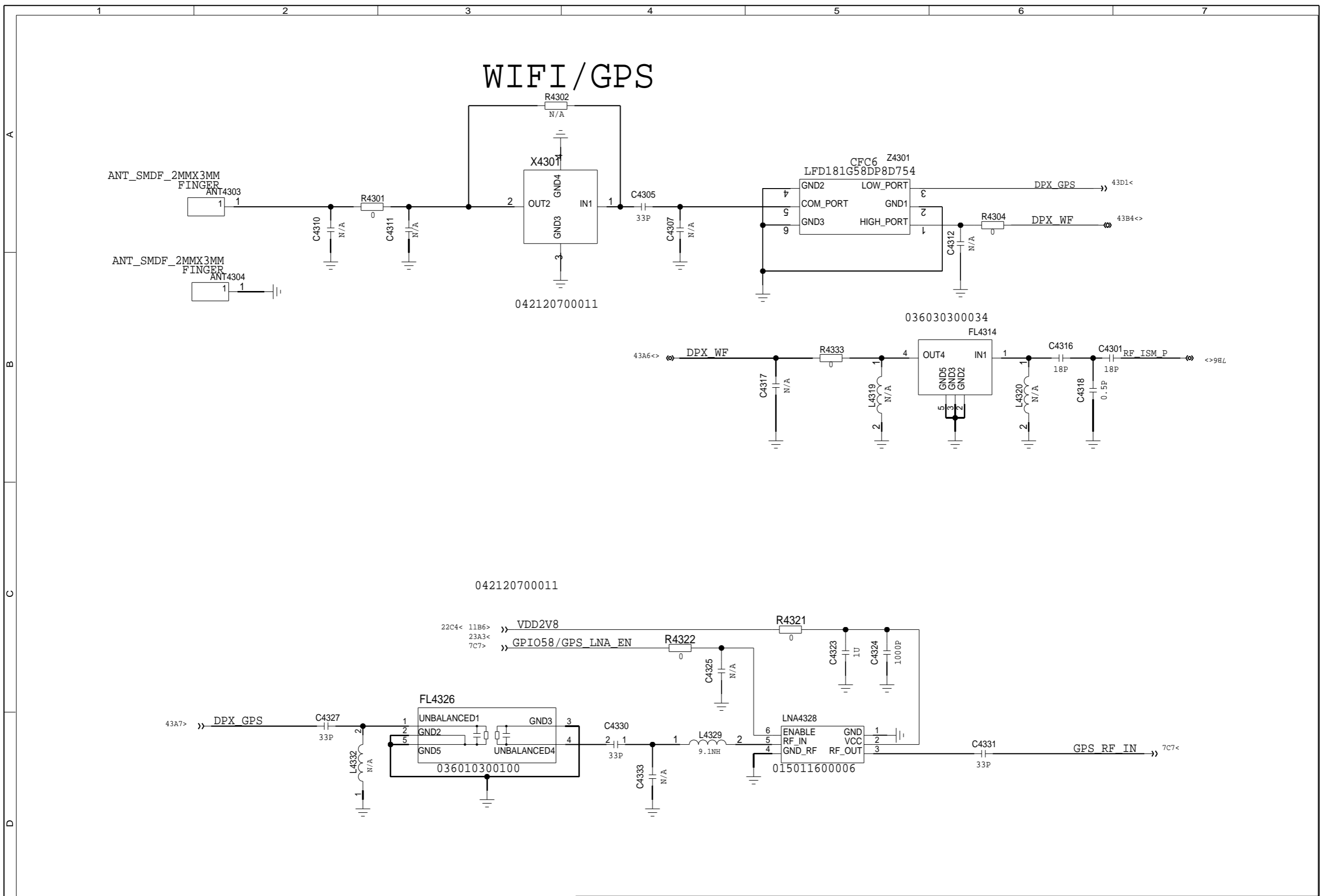


THIS DOCUMENT CONTAINS INFORMATION PROPRIETARY TO ZTE CORPORATION (ZTE), USE OR DISCLOSURE WITHOUT THE WRITTEN PERMISSION OF AN OFFICER OF ZTE IS EXPRESSLY FORBIDDEN.

ZTE CORPORATION		MODEL: <AMODEL>	SHEET 48F <APAGE>
DRAWN	<ADRAWN>	TITLE: <ATITLE>	VERSION: <AVERSION>
CHECKED	<ACHECKED>	DRAWING NO.: <ADRAWINGNO>	

SIZEA4

THIS DOCUMENT CONTAINS INFORMATION PROPRIETARY TO ZTE CORPORATION (ZTE), USE OR DISCLOSURE WITHOUT THE WRITTEN PERMISSION OF AN OFFICER OF ZTE IS EXPRESSLY FORBIDDEN.



SIZEA4

ZTE CORPORATION		MODEL: <AMODEL>	SHEET 43F <APAGE>
DRAWN	<ADRAWN>	TITLE: <ATITLE>	VERSION: <AVERSION>
CHECKED	<ACHECKED>	DRAWING NO.: <ADRAWINGNO>	