



EMC TEST REPORT

Applicant ZTE Corporation
FCC ID SRQ-BLADEVULTRA
Product LTE/WCDMA/GSM (GPRS)
Multi-Mode Digital Mobile Phone
Model BLADE V Ultra
Marketing BLADE V Ultra
Report No. R1809A0434-E1
Issue Date November 5, 2018

TA Technology (Shanghai) Co., Ltd. tested the above equipment in accordance with the requirements in **FCC Code CFR47 Part15B (2018)/ ANSI C63.4 (2014)**. The test results show that the equipment tested is capable of demonstrating compliance with the requirements as documented in this report.

Wei Liu

Guangchang Fan

Performed by: Wei Liu/ Manager

Approved by: Guangchang Fan/ Director

TA Technology (Shanghai) Co., Ltd.

No.145, Jintang Rd, Tangzhen Industry Park, Pudong Shanghai, China

TEL: +86-021-50791141/2/3

FAX: +86-021-50791141/2/3-8000



Table of Contents

1	Test Laboratory.....	4
1.1	Notes of the Test Report.....	4
1.2	Test facility.....	4
1.3	Testing Location.....	5
2	General Description of Equipment under Test.....	6
2.1	Client Information.....	6
2.2	General information.....	6
2.3	Applied Standards.....	8
2.4	Test Mode.....	9
3	Test Case Results.....	10
3.1	Radiated Emission.....	10
3.2	Conducted Emission.....	16
4	Main Test Instrument.....	18



Summary of measurement results

Number	Test Case	Clause in FCC Rules	Conclusion
1	Radiated Emission	FCC Part15.109, ANSI C63.4-2014	PASS
2	Conducted Emission	FCC Part15.107, ANSI C63.4-2014	PASS
Test Date: October 9, 2018 ~ October 23, 2018			

1 Test Laboratory

1.1 Notes of the Test Report

This report shall not be reproduced in full or partial, without the written approval of **TA technology (shanghai) co., Ltd.** The results documented in this report apply only to the tested sample, under the conditions and modes of operation as described herein .Measurement Uncertainties were not taken into account and are published for informational purposes only. This report is written to support regulatory compliance of the applicable standards stated above.

1.2 Test facility

CNAS (accreditation number: L2264)

TA Technology (Shanghai) Co., Ltd. has obtained the accreditation of China National Accreditation Service for Conformity Assessment (CNAS).

FCC (Designation number: CN1179, Test Firm Registration Number: 446626)

TA Technology (Shanghai) Co., Ltd. has been listed on the US Federal Communications Commission list of test facilities recognized to perform electromagnetic emissions measurements.

IC (recognition number is 8510A)

TA Technology (Shanghai) Co., Ltd. has been listed by industry Canada to perform electromagnetic emission measurement.

VCCI (recognition number is C-4595, T-2154, R-4113, G-10766)

TA Technology (Shanghai) Co., Ltd. has been listed by industry Japan to perform electromagnetic emission measurement.

A2LA (Certificate Number: 3857.01)

TA Technology (Shanghai) Co., Ltd. has been listed by American Association for Laboratory Accreditation to perform electromagnetic emission measurement.



1.3 Testing Location

Company: TA Technology (Shanghai) Co., Ltd.
Address: No.145, Jintang Rd, Tangzhen Industry Park, Pudong Shanghai, China
City: Shanghai
Post code: 201201
Country: P. R. China
Contact: Xu Kai
Telephone: +86-021-50791141/2/3
Fax: +86-021-50791141/2/3-8000
Website: <http://www.ta-shanghai.com>
E-mail: xukai@ta-shanghai.com

2 General Description of Equipment under Test

2.1 Client Information

Applicant	ZTE Corporation
Applicant address	ZTE Plaza, Keji Road South, Hi-Tech, Industrial Park, Nanshan District, Shenzhen, Guangdong, 518057, P.R.China
Manufacturer	ZTE Corporation
Manufacturer address	ZTE Plaza, Keji Road South, Hi-Tech, Industrial Park, Nanshan District, Shenzhen, Guangdong, 518057, P.R.China

2.2 General information

EUT Description			
Device Type:	Portable Device		
Model Number:	BLADE V Ultra		
IMEI:	868867040002670		
HW Version:	uxjA		
SW Version:	TEL_MX_BLADE_V_UltraV1.0		
Antenna Type:	Internal Antenna		
Frequency:	Band	Tx (MHz)	Rx (MHz)
	GSM 850	824 ~ 849	869 ~ 894
	GSM 1900	1850 ~ 1910	1930 ~ 1990
	WCDMA Band II	1850 ~ 1910	1930 ~ 1990
	WCDMA Band V	824 ~ 849	869 ~ 894
	LTE Band 2	1850 ~ 1910	1930 ~ 1990
	LTE Band 4	1710 ~ 1755	2110 ~ 2155
	LTE Band 5	824 ~ 849	869 ~ 894
	LTE Band 7	2500 ~ 2570	2620 ~ 2690
	Bluetooth:	2402 ~ 2480	2402 ~ 2480
	WIFI 2.4G:	2412 ~ 2462	2412 ~ 2462
Modulation:	GSM: GMSK GPRS: GMSK EGPRS: GMSK/8PSK WCDMA RMC: QPSK HSDPA: QPSK HSUPA: QPSK		



	DC-HSDPA:64QAM LTE: QPSK / 16QAM Bluetooth: GFSK, $\pi/4$ -DQPSK, 8-DPSK Bluetooth v4.2 LE: GFSK WLAN 802.11b: DSSS WLAN 802.11g/n: OFDM
Test Mode:	Transfer Data Mode
EUT Accessory	
Adapter	Manufacturer: Salcomp (Shenzhen) Co., Ltd. Model: STC-A5915A-Z
Battery	Manufacturer: HARBIN COSLIGHT POWER CO LTD Model: Li3940T44P8h937238
Earphone	Manufacturer: Shen zhen FDC Electronic Co.,Ltd. Model: DEM-66
USB Cable	99cm Cable, Shielded
Auxiliary test equipment	
PC	PC Manufacturer: Dell Model: E5450 (SN : P48G001)
Note: The information of the EUT is declared by the manufacturer.	



2.3 Applied Standards

According to the specifications of the manufacturer, it must comply with the requirements of the following standards:

Test standards

FCC Code CFR47 Part15B (2018)

ANSI C63.4 (2014)



2.4 Test Mode

Test Mode	
Mode 1	USB Copy(EUT with PC) + USB cable + earphone + Camera On + MP3 +Idle

3 Test Case Results

3.1 Radiated Emission

Ambient condition

Temperature	Relative humidity	Pressure
24°C~26°C	45%~50%	102.5kPa

Methods of Measurement

The EUT is placed on a non-metallic table 0.8m above the horizontal metal reference ground plane. The distance between EUT and receive antenna should be 3 meters. During the test, the EUT was operating in its typical mode. The test method is according to ANSI C63.4-2014. Sweep the whole frequency band through the range from 30MHz to the 5th harmonic of the carrier. During the test, the height of receive antenna shall be moved from 1 to 4 meters, and the antenna shall be performed under horizontal and vertical polarization. The turn table shall be rotated from 0 to 360 degrees for detecting the maximum of radiated signal level.

The data of cable loss and antenna factor has been calibrated in full testing frequency range before the testing. During the test, the EUT is worked at maximum output power.

Set the spectrum analyzer in the following:

Below 1GHz:

RBW=100 kHz / VBW=300 kHz / Sweep=AUTO

Above 1GHz:

(a) PEAK: RBW=1MHz / VBW=3MHz/ Sweep=AUTO

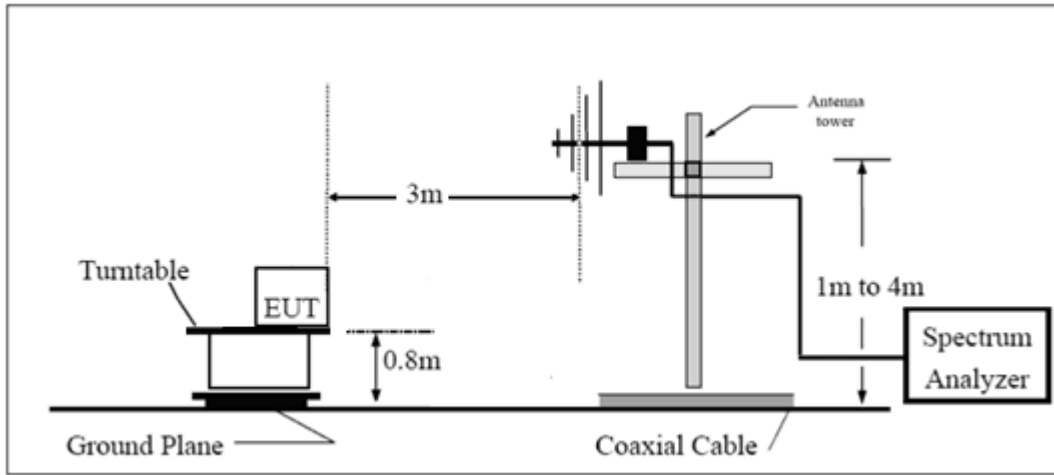
(b) AVERAGE: RBW=1MHz / VBW=1Hz / Sweep=AUTO

The radiated emission was measured in the following position: EUT stand-up position (Z axis), lie-down position (X, Y axis). The worst emission was found in lie-down position (X axis) and the worst case was recorded.

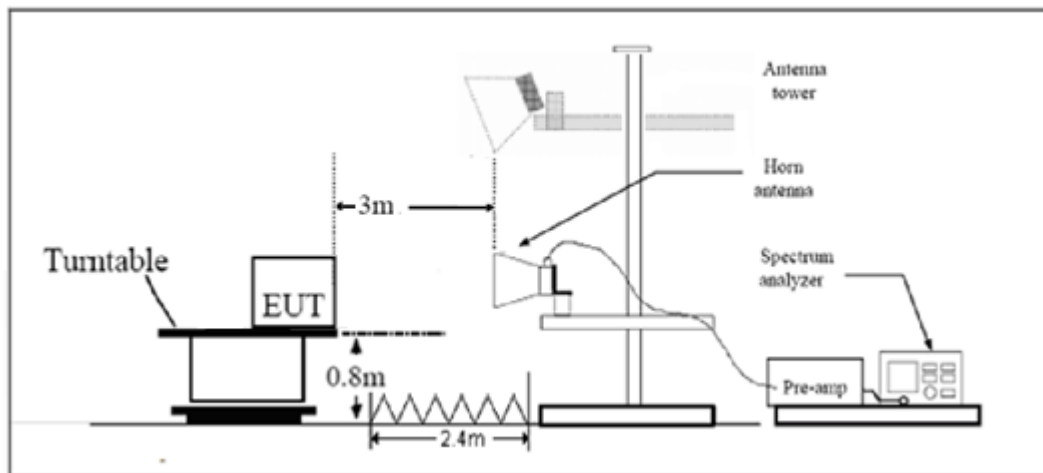
During the test, EUT is connected to a laptop via a USB cable in the case of Transfer Data mode. The EUT is used as the peripheral equipment of the PC. The data is transferred from EUT to PC; PC is connected to server via a long LAN cable.

Test Setup

Below 1GHz



Above 1GHz



Note: Area side:2.4mX3.6m

Antenna Tower meets ANSI C63.4 requirements for measurements above 1 GHz by keeping the antenna aimed at the EUT during the antenna's ascent/ descent along the antenna mast.

Limits

Frequency (MHz)	Field Strength (dB μ V/m)	Detector
30 -88	40.0	Quasi-peak
88-216	43.5	Quasi-peak
216 – 960	46.0	Quasi-peak
960-1000	54.0	Quasi-peak
1000-5 th harmonic of the highest frequency or 40GHz, which is lower	54 74	Average Peak

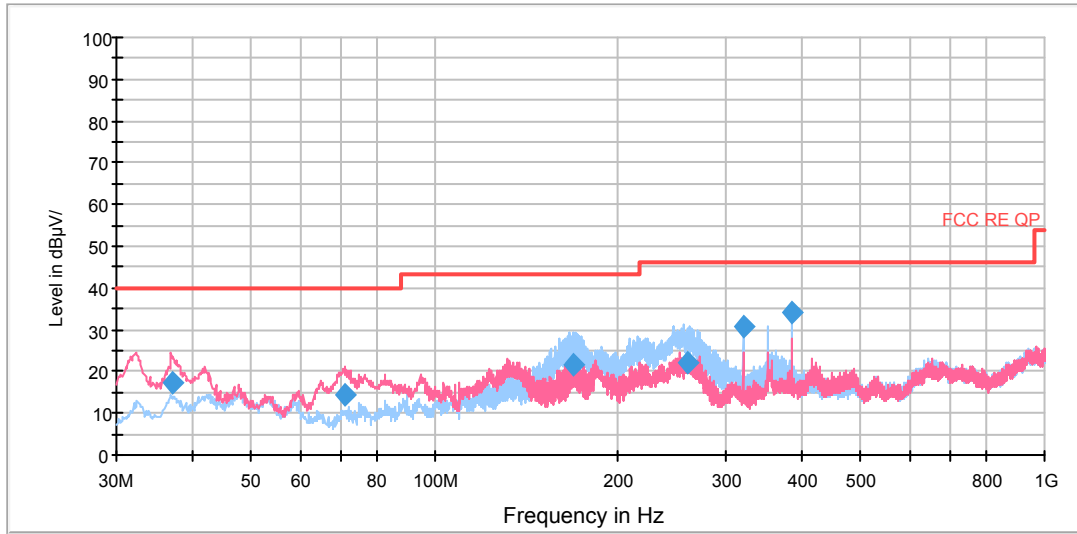
Measurement Uncertainty

The assessed measurement uncertainty to ensure 95% confidence level for the normal distribution is with the coverage factor $k = 1.96$. $U = 3.704$ dB.

Test Results

The following graphs display the maximum values of horizontal and vertical by software.
 For above 1GHz, Blue trace uses the peak detection, Green trace uses the average detection.

RE 30M-1GHz QP

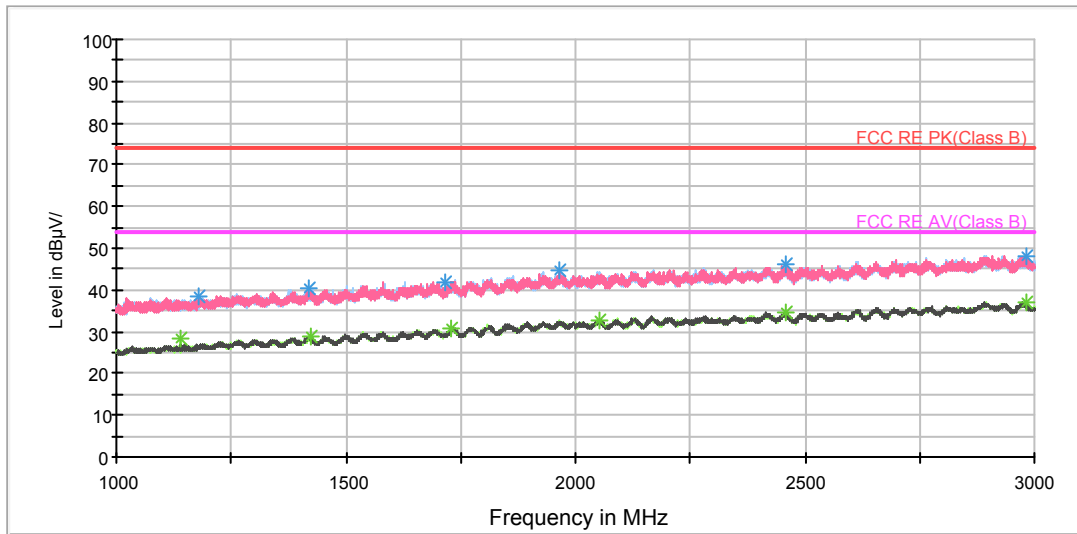


Radiated Emission from 30MHz to 1GHz

Frequency (MHz)	Quasi-Peak (dBuV/m)	Reading value (dBuV/m)	Height (cm)	Polarization	Azimuth (deg)	Correct Factor (dB)	Margin (dB)	Limit (dBuV/m)
37.003528	17.4	36.0	175.0	V	78.0	-18.6	22.6	40.0
71.005990	14.6	41.3	195.0	V	222.0	-26.7	25.4	40.0
168.770119	21.8	49.6	100.0	H	54.0	-27.8	18.2	40.0
260.319250	22.1	46.8	100.0	H	85.0	-24.7	24.9	47.0
319.990000	30.6	53.4	100.0	H	195.0	-22.8	16.4	47.0
384.008750	34.2	54.1	100.0	H	194.0	-19.9	12.8	47.0

- Remark:**
1. Quasi-Peak = Reading value + Correction factor
 2. Correction Factor = Antenna factor+ Insertion loss(cable loss+amplifier gain)
 3. Margin = Limit – Quasi-Peak

RE 1G-3GHz PK+AV

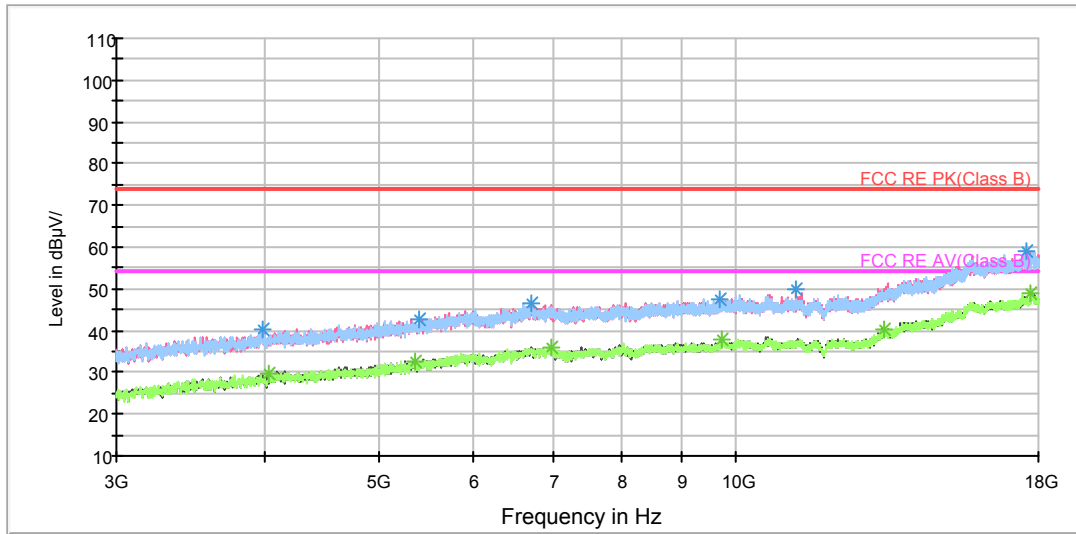


Radiated Emission from 1GHz to 3GHz

Frequency (MHz)	Peak (dBuV/m)	Reading value (dBuV/m)	Height (cm)	Polarization	Azimuth (deg)	Correct Factor (dB)	Margin (dB)	Limit (dBuV/m)
1179.000000	38.3	47.1	200.0	V	312.0	-8.8	35.7	74
1420.000000	40.3	47.7	200.0	H	69.0	-7.4	33.7	74
1716.750000	41.9	46.9	100.0	H	0.0	-5.0	32.1	74
1967.000000	44.5	47.6	200.0	V	236.0	-3.1	29.5	74
2457.000000	46.4	47.4	100.0	H	327.0	-1.0	27.6	74
2980.500000	48.3	46.9	100.0	H	69.0	1.4	25.7	74

Frequency (MHz)	Average (dBuV/m)	Reading value (dBuV/m)	Height (cm)	Polarization	Azimuth (deg)	Correct Factor (dB)	Margin (dB)	Limit (dBuV/m)
1139.250000	28.5	37.9	100.0	H	248.0	-9.4	25.5	54
1425.250000	28.7	36.2	200.0	H	149.0	-7.5	25.3	54
1730.000000	30.6	35.7	200.0	V	230.0	-5.1	23.4	54
2051.500000	32.6	35.4	200.0	V	306.0	-2.8	21.4	54
2459.000000	34.4	35.4	100.0	H	248.0	-1.0	19.6	54
2984.500000	36.9	35.5	100.0	V	31.0	1.4	17.1	54

RE 3-18GHz PK+AV



Radiated Emission from 3GHz to 18GHz

Frequency (MHz)	Peak (dBuV/m)	Reading value (dBuV/m)	Height (cm)	Polarization	Azimuth (deg)	Correct Factor (dB)	Margin (dB)	Limit (dBuV/m)
3984.375000	40.4	40.8	100.0	H	200.0	-0.4	33.6	74
5405.625000	42.7	40.1	100.0	H	62.0	2.6	31.3	74
6716.250000	46.4	41.1	100.0	V	0.0	5.3	27.6	74
9701.250000	47.6	40.0	100.0	V	0.0	7.6	26.4	74
11244.375000	49.9	41.4	100.0	V	0.0	8.5	24.1	74
17581.875000	58.8	40.6	100.0	V	185.0	18.2	15.2	74

Frequency (MHz)	Average (dBuV/m)	Reading value (dBuV/m)	Height (cm)	Polarization	Azimuth (deg)	Correct Factor (dB)	Margin (dB)	Limit (dBuV/m)
4036.875000	29.5	29.7	100.0	H	122.0	-0.2	24.5	54
5351.250000	32.7	30.3	100.0	V	342.0	2.4	21.3	54
6993.750000	36.2	30.7	100.0	V	291.0	5.5	17.8	54
9742.500000	37.7	30.0	100.0	V	325.0	7.7	16.3	54
13350.000000	40.3	29.0	100.0	H	28.0	11.3	13.7	54
17752.500000	49.0	30.3	100.0	H	320.0	18.7	5.0	54

3.2 Conducted Emission

Ambient condition

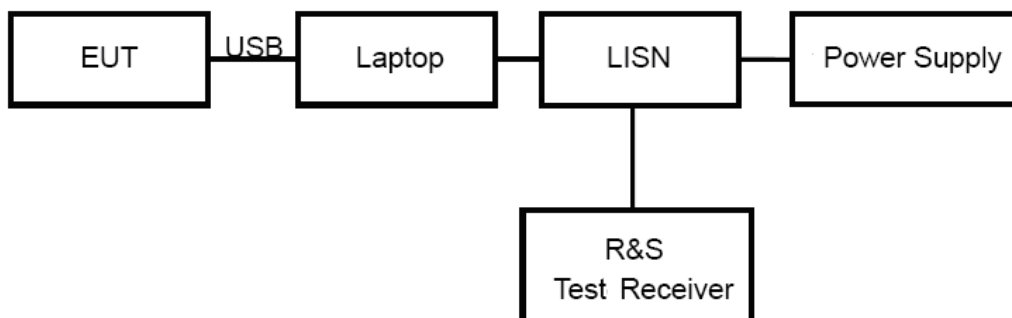
Temperature	Relative humidity	Pressure
24°C ~26°C	50%~55%	102.5kPa

Methods of Measurement

The EUT is placed on a non-metallic table of 80cm height above the horizontal metal reference ground plane. During the test, the EUT was operating in its typical mode. The test method is according to ANSI C63.4-2014. Connect the AC power line of the EUT to the L.I.S.N. Use EMI receiver to detect the average and Quasi-peak value. RBW is set to 9 kHz, VBW is set to 30kHz. The measurement result should include both L line and N line.

During the test, EUT is connected to a laptop via a USB cable in the case of Transfer Data mode. The EUT is used as the peripheral equipment of the PC. The data is transferred from EUT to PC; PC is connected to server via a long LAN cable.

Test Setup



Note: Power Supply is AC Power source and it is used to change the voltage 120V/60Hz.

Limits

Frequency (MHz)	Conducted Limits(dBμV)	
	Quasi-peak	Average
0.15 - 0.5	66 to 56 *	56 to 46 *
0.5 - 5	56	46
5 - 30	60	50

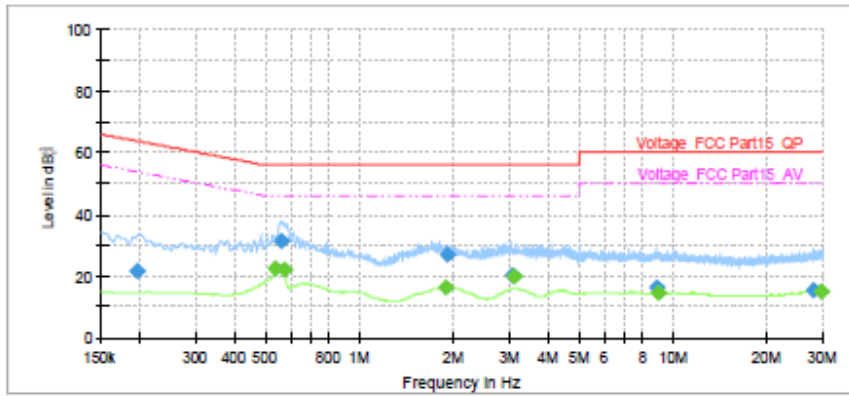
*: Decreases with the logarithm of the frequency.

Measurement Uncertainty

The assessed measurement uncertainty to ensure 95% confidence level for the normal distribution is with the coverage factor $k = 1.96$. $U = 2.57$ dB.

Test Results

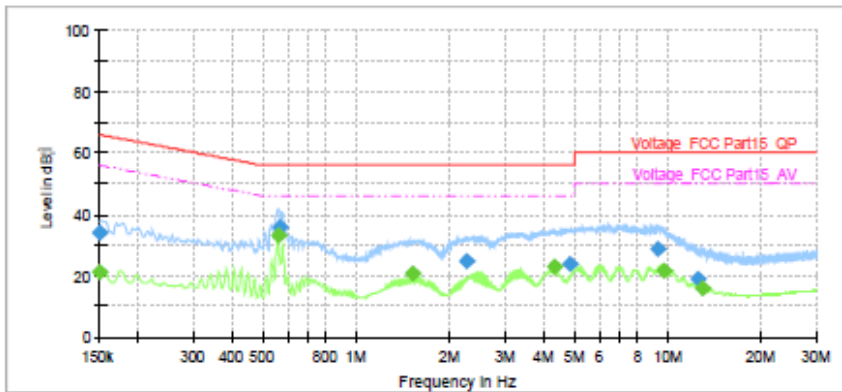
Following plots, Blue trace uses the peak detection; Green trace uses the average detection.



Frequency (MHz)	QuasiPeak (dB V)	Average (dB V)	Limit (dB V)	Margin (dB)	Meas. Time (ms)	Bandwidth (kHz)	Line	Filter	Corr. (dB)
0.195000	21.89	---	63.82	41.93	1000.0	9.000	L1	ON	19.2
0.537000	---	22.48	46.00	23.52	1000.0	9.000	L1	ON	19.2
0.559500	31.45	---	56.00	24.55	1000.0	9.000	L1	ON	19.3
0.573000	---	21.98	46.00	24.02	1000.0	9.000	L1	ON	19.3
1.880250	---	16.33	46.00	29.67	1000.0	9.000	L1	ON	19.2
1.905000	26.98	---	56.00	29.02	1000.0	9.000	L1	ON	19.2
3.054750	20.32	---	56.00	35.68	1000.0	9.000	L1	ON	19.1
3.124500	---	19.81	46.00	26.19	1000.0	9.000	L1	ON	19.1
8.880000	16.22	---	60.00	43.78	1000.0	9.000	L1	ON	19.3
8.931750	---	14.61	50.00	35.39	1000.0	9.000	L1	ON	19.3
27.962250	15.46	---	60.00	44.54	1000.0	9.000	L1	ON	19.9
29.625000	---	15.26	50.00	34.74	1000.0	9.000	L1	ON	19.8

L line

Conducted Emission from 150 KHz to 30 MHz



Frequency (MHz)	QuasiPeak (dB V)	Average (dB V)	Limit (dB V)	Margin (dB)	Meas. Time (ms)	Bandwidth (kHz)	Line	Filter	Corr. (dB)
0.150000	---	21.09	56.00	34.91	1000.0	9.000	N	ON	19.1
0.150000	34.08	---	66.00	31.92	1000.0	9.000	N	ON	19.1
0.561748	---	33.21	46.00	12.79	1000.0	9.000	N	ON	19.3
0.568499	36.00	---	56.00	20.00	1000.0	9.000	N	ON	19.3
1.520250	---	20.97	46.00	25.03	1000.0	9.000	N	ON	19.2
2.253746	24.99	---	56.00	31.01	1000.0	9.000	N	ON	19.1
4.323760	---	22.80	46.00	23.20	1000.0	9.000	N	ON	19.1
4.868243	23.78	---	56.00	32.22	1000.0	9.000	N	ON	19.1
9.285000	28.90	---	60.00	31.10	1000.0	9.000	N	ON	19.3
9.717000	---	21.72	50.00	28.28	1000.0	9.000	N	ON	19.4
12.437250	19.03	---	60.00	40.97	1000.0	9.000	N	ON	19.4
12.947964	---	15.95	50.00	34.05	1000.0	9.000	N	ON	19.5

N line

Conducted Emission from 150 KHz to 30 MHz

4 Main Test Instrument

Name	Manufacturer	Type	Serial Number	Last Cal.	Cal. Due Date
Signal Analyzer	R&S	FSV30	100815	2017-12-17	2018-12-16
EMI Test Receiver	R&S	ESCI	100948	2018-05-20	2019-05-19
Trilog Antenna	SCHWARZBECK	VULB 9163	9163-201	2017-11-18	2019-11-17
Horn Antenna	R&S	HF907	100126	2018-07-07	2020-07-06
EMI Test Receiver	R&S	ESR	101667	2018-05-20	2019-05-19
LISN	R&S	ENV216	101171	2016-12-16	2019-12-15
Bore Sight Antenna mast	ETS	2171B	00058752	/	/
Test software	EMC32	R&S	9.26.0	/	/

*****END OF REPORT *****