



FCC SAR TEST REPORT

Report No. : SET2019-01172

Product : WCDMA/GSM (GPRS) Dual-Mode Digital Mobile Phone

Brand Name: ZTE

Model No. : ZTE Blade L8

Marketing Name: ZTE Blade L8

FCC ID : SRQ-BLADEL8

Applicant : ZTE Corporation

Address : ZTE Plaza, Keji Road South, Shenzhen, China

Issued by : CCIC Southern Electronic Product Testing (Shenzhen) Co., Ltd.

Lab Location : Building 28/29, East of Shigu Xili Industrial Zone, Nanshan District Shenzhen, Guangdong 518055, China

Tel : 86 755 26627338 **Fax:** 86 755 26627238

Mail : manager@ccic-set.com **Website:** <http://www.ccic-set.com>

This test report consists of 37 pages in total. It may be duplicated completely for legal use with the approval of the applicant. It should not be reproduced except in full, without the written approval of our laboratory. The client should not use it to claim product endorsement by CCIC-SET. The test results in the report only apply to the tested sample. The test report shall be invalid without all the signatures of testing engineers, reviewer and approver. Any objections must be raised to CCIC-SET within 15 days since the date when the report is received. It will not be taken into consideration beyond this limit.



Test Report

Product.: WCDMA/GSM (GPRS) Dual-Mode Digital Mobile Phone

Model No.: ZTE Blade L8

Brand Name.....: ZTE

FCC ID.....: SRQ-BLADEL8

Applicant.....: ZTE Corporation

Applicant Address.....: ZTE Plaza, Keji Road South, Shenzhen, China

Manufacturer.....: ZTE Corporation

Manufacturer Address: ZTE Plaza, Keji Road South, Shenzhen, China

Test Standards.....: **47CFR § 2.1093-** Radiofrequency Radiation Exposure Evaluation: Portable Devices;
ANSI C95.1–1992: Safety Levels with Respect to Human Exposure to Radio Frequency Electromagnetic Fields, 3 kHz – 300 GHz.(IEEE Std C95.1-1991)
IEEE 1528–2013: IEEE Recommended Practice for Determining the Peak Spatial-Average Specific Absorption Rate (SAR) in the Human Head from Wireless Communications Devices: Measurement Techniques

Test Result.....: Pass

Test Date.....: 2019.1.22-2019.1.25

Tested by: Mei Chun 2019-02-15
Mei Chun, Test Engineer

Reviewed by.....: Chris You 2019-02-15
Chris You, Senior Engineer

Approved by.....: Shuangwen Zhang 2019-02-15
Shuangwen Zhang, Manager



Contents

Test Report.....	2
1. Administrative Data.....	4
2. Equipment Under Test (EUT).....	5
3. SAR Summary.....	7
4. Specific Absorption Rate (SAR).....	8
5. Tissue check and recommend Dielectric Parameters.....	12
6. SAR measurement procedure.....	17
7. Conducted RF Output Power.....	18
8. SAR test Exclusion and estimate SAR calculation:.....	21
9. Scaling Factor calculation.....	24
10. Test Results.....	25
11. Simultaneous Transmissions Analysis.....	30
12. Measurement Uncertainty.....	32
13. Equipment List.....	36
ANNEX A: Appendix A: SAR System performance Check Plots.....	37
ANNEX B: Appendix B: SAR Measurement results Plots.....	37
ANNEX C: Appendix C: Calibration reports.....	37
ANNEX D: Appendix D: SAR Test Setup.....	37



1. Administrative Data

1.1 Testing Laboratory

Test Site: CCIC Southern Electronic Product Testing (Shenzhen) Co., Ltd

Address: Electronic Testing Building, No. 43 Shahe Road, Xili Jiedao, Nanshan District, Shenzhen, Guangdong, China

CNAS Lab Code: CCIC-SET is a third party testing organization accredited by China National Accreditation Service for Conformity Assessment (CNAS) according to ISO/IEC 17025. The accreditation certificate number is L1659.

NVLAP Lab Code: CCIC-SET is a third party testing organization accredited by NVLAP according to ISO/IEC 17025. The accreditation certificate number is 201008-0.

FCC Registration: CCIC Southern Electronic Product Testing (Shenzhen) Co., Ltd. EMC Laboratory has been registered and fully described in a report filed with the FCC (Federal Communications Commission). The acceptance letter from the FCC is maintained in our files. Designation Number: CN5031, valid time is until December 31, 2019.

ISED Registration: CCIC Southern Electronic Product Testing (Shenzhen) Co., Ltd. EMC Laboratory has been registered by Certification and Engineering Bureau of Industry Canada for the performance of radiated measurements with Registration No. 11185A-1 on Aug. 04, 2016, valid time is until Aug. 03, 2019.

Test Environment Temperature (°C): 21°C

Condition: Relative Humidity (%): 60%

Atmospheric Pressure (kPa): 86KPa-106KPa



2. Equipment Under Test (EUT)

Identification of the Equipment under Test

Device Type:	Portable	
Exposure Category:	Population/Uncontrolled	
Sample Name:	WCDMA/GSM (GPRS) Dual-Mode Digital Mobile Phone	
Brand Name:	ZTE	
Model Name:	ZTE Blade L8	
	Support Band	GSM 850/1900/900/1800MHz, WCDMA 850MHz/1900MHz, WIFI, BT,GPS
	Test Band	GSM 850MHz/1900MHz, WCDMA 850MHz/1900MHz,WIFI
	IMEI No.	865487040004239
	Device Class	Class B
	Multi Class	GPRS: Class 12
	Development Stage	Identical Prototype
General description:	Accessories	Power Supply
	Hotspot	support Hotspot mode
	Antenna type	Internal Antenna
	Operation mode	GSM /WCDMA/WIFI
	Modulation mode	GSM(GMSK),UMTS(QPSK), WIFI(OFDM/DSSS) ,BT(GFSK/ π /4-DQPSK/8-DPSK)
	DTM mode	Not support
	Hardware Version	ujvB
	Software Version	\
	Max. RF Power	32.35dBm
	Max. SAR Value	Head: 0.607 W/Kg Body: 0.962 W/Kg(Limit:1.6W/Kg, 10mm distance)

NOTE:

- a. The above EUT's information was declared by manufacturer. Please refer to the specifications or user's manual for more detailed description.

**EUT testing configuration**

Tested frequency range(s)	Transmitter Frequency Range	Receiver Frequency Range
GSM850:	824-849 MHz	869-894 MHz
GSM1900:	1850-1910 MHz	1930-1990 MHz
UMTS Band II:	1850-1910 MHz	1930-1990 MHz
UMTS Band V:	824-849 MHz	869-894 MHz
WIFI(tested):	2412-2462 MHz	
Test channels(low-mid-high):	128-190-251(GSM850)	
	512-661-810(GSM1900)	
	9262-9400-9538(UMTS Band II)	
	4132-4183-4233(UMTS Band V)	
	1-6-11(Wifi 2.4G 802.11b)	



3. SAR Summary

Highest Standalone SAR Summary

Exposure Position	Frequency Band	Scaled 1g-SAR(W/kg)	Highest Scaled 1g-SAR(W/kg)
Head	GSM850	0.577	0.607
	GSM1900	0.134	
	WCDMA Band V	0.469	
	WCDMA Band II	0.182	
	WIFI 2.4G 802.11b	0.607	

Exposure Position	Frequency Band	Scaled 1g-SAR(W/kg)	Highest Scaled 1g-SAR(W/kg)
Body-worn (10mm Gap)	GSM850	0.962	0.962
	GSM1900	0.468	
	WCDMA Band V	0.461	
	WCDMA Band II	0.155	
	WIFI 2.4G 802.11b	0.107	

Exposure Position	Frequency Band	Scaled 1g-SAR(W/kg)	Highest Scaled 1g-SAR(W/kg)
Hotspot (10mm Gap)	GSM850	0.962	0.962
	GSM1900	0.468	
	WCDMA Band V	0.461	
	WCDMA Band II	0.155	
	WIFI 2.4G 802.11b	0.107	

Highest Simultaneous SAR Summary

Exposure Position	Frequency Band	Highest Scaled 1g-SAR(W/kg)
Hotspot (10mmGap)	WWAN(GSM850)&WIFI	1.069

4. Specific Absorption Rate (SAR)

4.1 Introduction

SAR is related to the rate at which energy is absorbed per unit mass in an object exposed to a radio field. The SAR distribution in a biological body is complicated and is usually carried out by experimental techniques or numerical modeling. The standard recommends limits for two tiers of groups, occupational/controlled and general population/uncontrolled, based on a person's awareness and ability to exercise control over his or her exposure. In general, occupational/controlled exposure limits are higher than the limits for general population/uncontrolled.

The SAR definition is the time derivative (rate) of the incremental energy (dW) absorbed by (dissipated in) an incremental mass (dm) contained in a volume element (dv) of a given density (ρ). The equation description is as below:

$$\text{SAR} = \frac{d}{dt} \left(\frac{dW}{dm} \right) = \frac{d}{dt} \left(\frac{dW}{\rho dv} \right)$$

SAR is expressed in units of Watts per kilogram (W/kg)

SAR measurement can be either related to the temperature elevation in tissue by

$$\text{SAR} = C \frac{\delta T}{\delta t}$$

where C is the specific heat capacity, δT is the temperature rise and δt the exposure duration, or related to the electrical field in the tissue by

$$\text{SAR} = \frac{\sigma |E|^2}{\rho}$$

where σ is the conductivity of the tissue, ρ is the mass density of the tissue and E is the rms electrical field strength.

However for evaluating SAR of low power transmitter, electrical field measurement is typically applied.



4.2 Applicable Standards and Limits

4.2.1 Applicable Standards

47CFR § 2.1093	Radiofrequency Radiation Exposure Evaluation: Portable Devices
ANSI C95.1-1992	Safety Levels with Respect to Human Exposure to Radio Frequency Electromagnetic Fields, 3 kHz – 300 GHz.(IEEE Std C95.1-1991)
IEEE 1528-2013	IEEE Recommended Practice for Determining the Peak Spatial-Average Specific Absorption Rate (SAR) in the Human Head from Wireless Communications Devices: Measurement Techniques
KDB 248227 D01	v02r02 802.11 Wi-Fi SAR
KDB 447498 D01	v06 General RF Exposure Guidance
KDB 648474 D04	v01r03 Handset SAR
KDB 865664 D01	v01r04 SAR Measurement 100MHz to 6GHz
KDB 865664 D02	v01r02 SAR Exposure Reporting
KDB 941225 D01	v03r01 3G SAR Procedures
KDB 941225 D06	v02r01 Hotspot Mode

4.2.2 RF exposure Limits

Human Exposure	Uncontrolled Environment General Population
Spatial Peak SAR* (Brain/Body)	1.60 mW/g
Spatial Average SAR** (Whole Body)	0.08 mW/g
Spatial Peak SAR*** (Limbs)	4.00 mW/g

The limit applied in this test report is shown in bold letters.

Notes:

* The Spatial Peak value of the SAR averaged over any 10 grams of tissue (defined as a tissue volume in the shape of a cube) and over the appropriate averaging time

** The Spatial Average value of the SAR averaged over the whole body.

*** The Spatial Peak value of the SAR averaged over any 10 grams of tissue (defined as a tissue volume in the shape of a cube) and over the appropriate averaging time.

4.3 Phantoms

The phantom used for all tests i.e. for both system checks and device testing, was the twin-headed "SAM Phantom", manufactured by SATIMO. The SAM twin phantom is a fiberglass shell phantom with 2mm shell thickness (except the ear region, where shell thickness increases to 6mm).

System checking was performed using the flat section, whilst Head SAR tests used the left and right head profile sections. Body SAR testing also used the flat section between the head profiles.

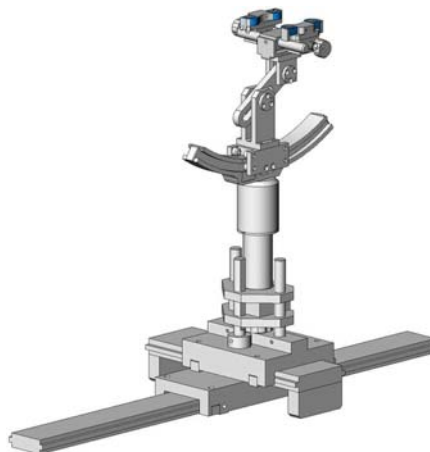


SAM Twin Phantom

4.4 Device Holder

The device was placed in the device holder (illustrated below) that is supplied by SATIMO as an integral part of the COMOSAR test system.

The device holder is designed to cope with the different positions given in the standard. It has two scales for device rotation (with respect to the body axis) and device inclination (with respect to the line between the ear reference points). The rotation centers for both scales is the ear reference point (ERP). Thus the device needs no repositioning when changing the angles.



Device holder

4.5 Probe Specification

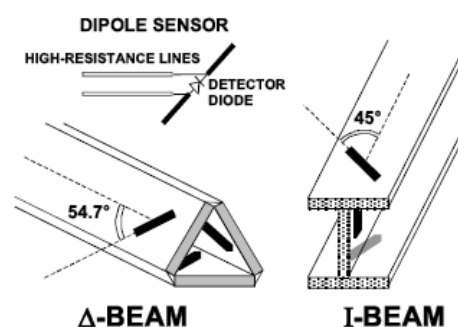


Construction	Symmetrical design with triangular core Interleaved sensors Built-in shielding against static charges PEEK enclosure material (resistant to organic solvents, e.g., DGBE)
Calibration	ISO/IEC 17025 calibration service available.
Frequency	700 MHz to 3 GHz; Linearity: ± 0.5 dB (700 MHz to 3 GHz)
Directivity	± 0.25 dB in HSL (rotation around probe axis) ± 0.5 dB in tissue material (rotation normal to probe axis)
Dynamic Range	1.5 μ W/g to 100 mW/g; Linearity: ± 0.5 dB
Dimensions	Overall length: 330 mm (Tip: 20 mm) Tip diameter: 5 mm Distance from probe tip to dipole centers: <2.7 mm
Application	General dosimetry up to 3 GHz Dosimetry in strong gradient fields Compliance tests of mobile phones
Compatibility	COMOSAR

Isotropic E-Field Probe

The isotropic E-Field probe has been fully calibrated and assessed for isotropicity, and boundary effect within a controlled environment. Depending on the frequency for which the probe is calibrated the method utilized for calibration will change.

The E-Field probe utilizes a triangular sensor arrangement as detailed in the diagram below:



5. Tissue check and recommend Dielectric Parameters

5.1 Tissue Dielectric Parameters for Head and Body Phantoms

The head tissue dielectric parameters recommended by the IEEE SCC-34/SC-2 in P1528 have been incorporated in the following table. These head parameters are derived from planar layer models simulating the highest expected SAR for the dielectric properties and tissue thickness Power drifts in a human head. Other head and body tissue parameters that have not been specified in P1528 are derived from the tissue dielectric parameters computed from the 4-Cole-Cole equations described in Reference [12] and extrapolated according to the head parameters specified in P1528.

Table 1: Recommended Dielectric Performance of Tissue

Ingredients (% by weight)	Frequency (MHz)											
	450		835		915		1900		2450		2600	
Tissue Type	Head	Body	Head	Body	Head	Body	Head	Body	Head	Body	Head	Body
Water	38.56	51.16	41.46	52.4	41.05	56.0	54.9	40.4	62.7	73.2	55.24	64.49
Salt (Nacl)	3.95	1.49	1.45	1.4	1.35	0.76	0.18	0.5	0.5	0.04	0.5	0.024
Sugar	56.32	46.78	56.0	45.0	56.5	41.76	0.0	58.0	0.0	0.0	0.0	0.0
HEC	0.98	0.52	1.0	1.0	1.0	1.21	0.0	1.0	0.0	0.0	0.0	0.0
Bactericide	0.19	0.05	0.1	0.1	0.1	0.27	0.0	0.1	0.0	0.0	0.0	0.0
Triton x-100	0.0	0.0	0.0	0.0	0.0	0.0	0.0	0.0	36.8	0.0	44.45	32.25
DGBE	0.0	0.0	0.0	0.0	0.0	0.0	44.92	0.0	0.0	26.7	0.0	26.7
Dielectric Constant	43.42	58.0	42.54	56.1	42.0	56.8	39.9	54.0	39.2	52.5	39.0	52.5
Conductivity (s/m)	0.85	0.83	0.91	0.95	1.0	1.07	1.42	1.45	1.80	1.78	1.96	2.16

MSL/HSL750 (Body and Head liquid for 650 – 850 MHz)

Item	Head Tissue Simulation Liquid HSL750 Muscle(body)Tissue Simulation Liquid MSL750			
H2O	Water, 35 – 58%			
Sucrose	Sugar, white, refined, 40-60%			
NaCl	Sodium Chloride, 0-6%			
Hydroxyethyl-cellulose	Medium Viscosity (CAS# 9004-62-0), <0.3%			
Preventol-D7	Preservative: aqueous preparation, (CAS# 55965-84-9), containing 5-chloro-2-methyl-3(2H)-isothiazolone and 2-methyl-3(2H)-isothiazolone, 0.1-0.7%			
Frequency (MHz)	Head ϵ_r	Head σ (S/m)	Body ϵ_r	Body σ (S/m)
750	41.9	0.89	55.2	0.97

Note: The liquid of 700MHz&2600MHz typical liquid composition is provided by SATIMO.

Frequency:5200/5400/5600/5800MHz	
Ingredients	(% by weight)
Water	78
Mineral oil	11
Emulsifiers	9
Additives and Salt	2

Table 2 Recommended Tissue Dielectric Parameters

Frequency (MHz)	Head Tissue		Body Tissue	
	ϵ_r	σ (S/m)	ϵ_r	σ (S/m)
150	52.3	0.76	61.9	0.80
300	45.3	0.87	58.2	0.92
450	43.5	0.87	56.7	0.94
835	41.5	0.90	55.2	0.97
900	41.5	0.97	55.0	1.05
915	41.5	0.98	55.0	1.06
1450	40.5	1.20	54.0	1.30
1610	40.3	1.29	53.8	1.40
1800-2000	40.0	1.40	53.3	1.52
2450	39.2	1.80	52.7	1.95
3000	38.5	2.40	52.0	2.73
5800	35.3	5.27	48.2	6.00

5.2 Simulate liquid

Liquid check results:

Table 3: Dielectric Performance of Head Tissue Simulating Liquid

Temperature: 23.2°C; Humidity: 64%;			
/	Frequency	Permittivity ϵ	Conductivity σ (S/m)
Target value	850MHz	$41.5 \pm 5\%$	$0.90 \pm 5\%$
Validation value (2019-01-22)	850MHz	41.44	0.87
Target value	1900MHz	$40.5 \pm 5\%$	$1.40 \pm 5\%$
Validation value (2019-01-24)	1900MHz	40.55	1.43
Target value	2450MHz	$39.2 \pm 5\%$	$1.80 \pm 5\%$
Validation value (2019-01-25)	2450MHz	39.25	1.83

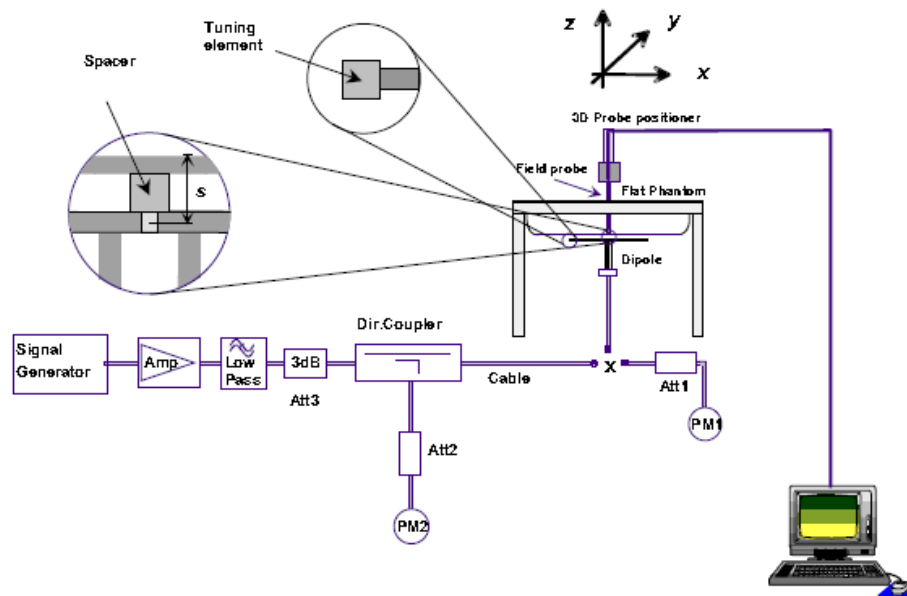
Dielectric Performance of Body Tissue Simulating Liquid

Temperature: 23.2°C; Humidity: 64%;			
/	Frequency	Permittivity ϵ	Conductivity σ (S/m)
Target value	850MHz	$55.2 \pm 5\%$	$0.97 \pm 5\%$
Validation value (2019-01-22)	850MHz	55.18	0.98
Target value	1900MHz	$53.3 \pm 5\%$	$1.52 \pm 5\%$
Validation value (2019-01-24)	1900MHz	53.36	1.52
Target value	2450MHz	$52.7 \pm 5\%$	$1.95 \pm 5\%$
Validation value (2019-01-25)	2450MHz	52.74	1.98

SAR System validation

Prior to the assessment, the system validation kit was used to test whether the system was operating within its specifications of $\pm 10\%$. The validation results are tabulated below. And also the corresponding SAR plot is attached as well in the SAR plots files.

The following procedure, recommended for performing validation tests using box phantoms is based on the procedures described in the IEEE standard P1528. Setup according to the setup diagram below:



With the SG and Amp and with directional coupler in place, set up the source signal at the relevant frequency and use a power meter to measure the power at the end of the SMA cable that you intend to connect to the balanced dipole. Adjust the SG to make this, say, 0.01W (10 dBm). If this level is too high to read directly with the power meter sensor, insert a calibrated attenuator (e.g. 10 or 20 dB) and make a suitable correction to the power meter reading.

Note 1: In this method, the directional coupler is used for monitoring rather than setting the exact feed power level. If, however, the directional coupler is used for power measurement, you should check the frequency range and power rating of the coupler and measure the coupling factor (referred to output) at the test frequency using a VNA.

Note 2: Remember that the use of a 3dB attenuator (as shown in Figure 8.1 of P1528) means that you need an RF amplifier of 2 times greater power for the same feed power. The other issue is the cable length. You might get up to 1dB of loss per meter of cable, so the cable length after the coupler needs to be quite short.

Note 3: For the validation testing done using CW signals, most power meters are suitable. However, if you are measuring the output of a modulated signal from either a signal generator or a handset, you must ensure that the power meter correctly reads the modulated signals.

The measured 1-gram averaged SAR values of the device against the phantom are provided in Tables 5 and Table 6. The humidity and ambient temperature of test facility

were 64% and 23.2°C respectively. The body phantom were full of the body tissue simulating liquid. The EUT was supplied with full-charged battery for each measurement.

The distance between the back of the EUT and the bottom of the flat phantom is 10 mm (taking into account of the IEEE 1528 and the place of the antenna).

Table 4: Head SAR system validation (1g)

Frequency	Duty cycle	Target value (W/kg)	Test value (W/kg)	
			10 mW	1W
835MHz(2019-01-22)	1:1	$9.61 \pm 10\%$	0.0984	9.84
1900MHz(2019-01-24)	1:1	$39.35 \pm 10\%$	0.3967	39.67
2450MHz(2019-01-25)	1:1	$52.67 \pm 10\%$	0.5214	52.14

Body SAR system validation (1g)

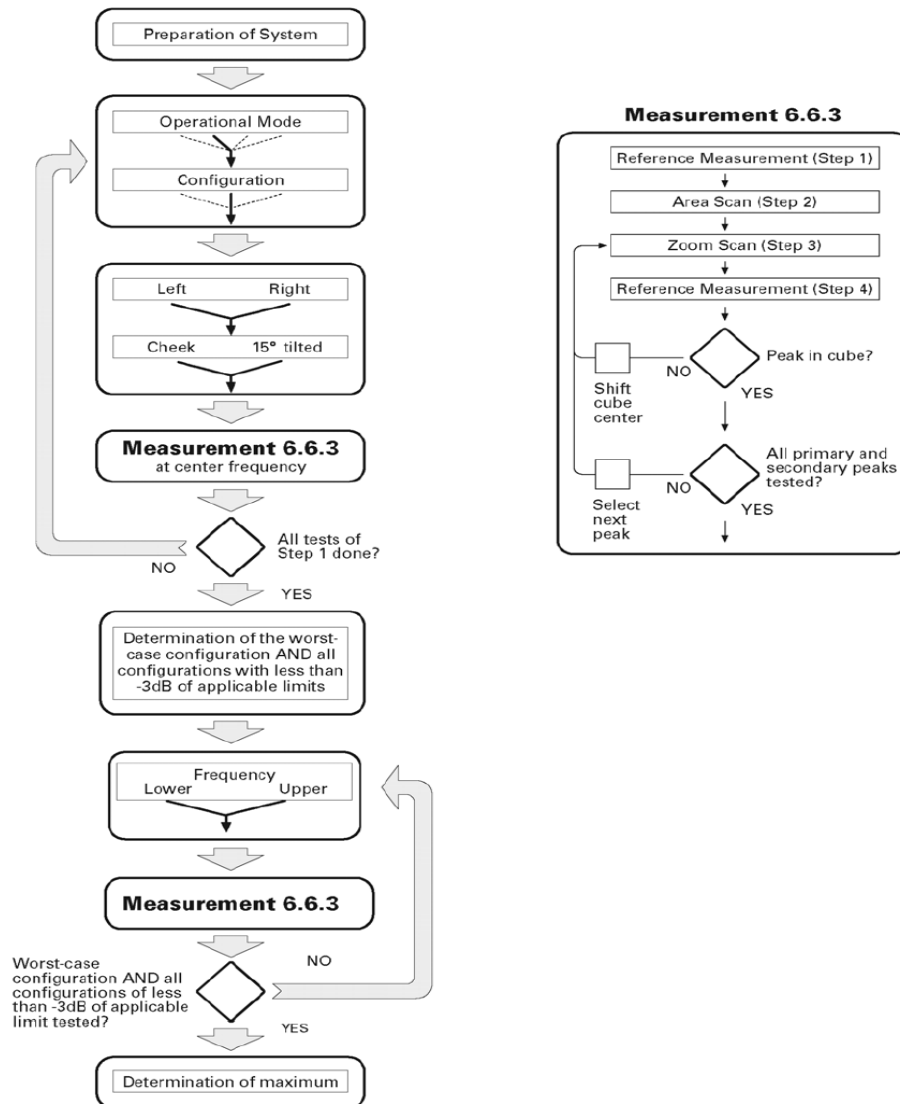
Frequency	Duty cycle	Target value (W/kg)	Test value (W/kg)	
			10 mW	1W
835MHz(2019-01-22)	1:1	$9.88 \pm 10\%$	0.0987	9.87
1900MHz(2019-01-24)	1:1	$38.84 \pm 10\%$	0.3976	39.76
2450MHz(2019-01-25)	1:1	$51.42 \pm 10\%$	0.5223	52.23

* Note: Target value was referring to the measured value in the calibration certificate of reference dipole.

Note: All SAR values are normalized to 1W forward power.

6. SAR measurement procedure

The SAR test against the head phantom was carried out as follow:



Establish a call with the maximum output power with a base station simulator, the connection between the EUT and the base station simulator is established via air interface.

After an area scan has been done at a fixed distance of 2mm from the surface of the phantom on the source side, a 3D scan is set up around the location of the maximum spot SAR. First, a point within the scan area is visited by the probe and a SAR reading taken at the start of testing. At the end of testing, the probe is returned to the same point and a second reading is taken. Comparison between these start and end readings enables the power drift during measurement to be assessed.

Above is the scanning procedure flow chart and table from the IEEE p1528 standard. This is the procedure for which all compliant testing should be carried out to ensure that all variations of the device position and transmission behavior are tested.

7. Conducted RF Output Power

7.1 GSM Conducted Power

GSM850		Burst-Averaged output Power (dBm)			Division Factors	Frame-Averaged output Power (dBm)		
		128CH	190CH	251CH		28CH	190CH	251CH
GSM (CS)		32.35	32.24	32.20	-9.19	23.16	23.05	23.01
GPRS (GMSK)	1 Tx Slot	32.22	32.14	32.15	-9.19	23.03	22.95	22.96
	2 Tx Slots	29.34	29.37	29.26	-6.13	23.21	23.24	23.13
	3 Tx Slots	27.93	27.89	28.01	-4.42	23.51	23.47	23.59
	4 Tx Slots	27.08	27.20	27.13	-3.18	23.90	24.02	23.95
GSM1900		Burst-Averaged output Power (dBm)			Division Factors	Frame-Averaged output Power (dBm)		
		512CH	661CH	810CH		512CH	661CH	810CH
GSM (CS)		29.33	28.89	28.64	-9.19	20.14	19.70	19.45
GPRS (GMSK)	1 Tx Slot	28.86	28.83	28.59	-9.19	19.67	19.64	19.40
	2 Tx Slots	26.15	26.17	26.06	-6.13	20.02	20.04	19.93
	3 Tx Slots	24.79	24.72	24.82	-4.42	20.37	20.30	20.40
	4 Tx Slots	23.69	23.56	24.31	-3.18	20.51	20.38	21.13

Note: Per KDB 447498 D01 v06, the maximum output power channel is used for SAR testing and for further SAR test reduction.

For hotspot SAR, EUT was performed at GPRS Class 12 multi-slots(2Tx) mode

For Head and Body-worn SAR testing, EUT was set in GSM Voice mode for both GSM850 and GSM1900

Timeslot consignations

No. Of Slots	Slot 1	Slot 2	Slot 3	Slot 4
Slot Consignation	1Up4Down	2UpDown	3UpDown	4Up1Down
Duty Cycle	1:8	1:4	1:2.67	1:2
Crest Factor	-9.03dB	-6.02dB	-4.26dB	-3.01dB

7.2 WCDMA Conducted output Power

Item	band	WCDMA 850			WCDMA 1900		
	Frequency	4132	4183	4233	9262	9400	9538
	Subtest	dBm			dBm		
WCDMA	RMC 12.2Kbps	22.28	22.19	22.23	22.25	22.21	22.23
HSDPA	1	22.15	22.1	22.13	21.95	22.05	22.13
	2	22	21.82	21.87	21.83	21.8	21.91
	3	21.93	21.79	21.91	21.72	21.72	21.92
	4	21.98	21.72	22	21.8	21.74	22
HSUPA	1	21.85	21.91	21.88	21.85	21.99	21.1
	2	21.74	21.68	21.76	21.73	21.75	20.94
	3	21.67	21.78	21.75	21.7	21.83	21.05
	4	21.73	21.69	21.6	21.72	21.75	20.87
	5	21.62	21.73	21.73	21.61	21.86	20.99

Note:

1. WCDMA SAR was tested under PMC 12.2kbps with HSPA Inactive per KDB Publication 941225 D01v03r01. HSPA SAR was not required since the average output power of the HSPA subtests was not more than 0.25dB higher than the RMC level and SAR was less than 1.2W/kg.
2. It is expected by the manufacturer that MPR for some HSPA subtests may be up to 2dB more than specified by 3GPP, but also as low as 0dB according to the chipset implementation in this model

7.3 WIFI Conducted Power

WLAN 2.4GHz Band Conducted Power

Channel/Freq.(MHz)	Maximum Conducted Out Power (dBm)		
	802.11b	802.11g	802.11n(HT20)
1(2412)	16.00	13.05	8.69
6(2437)	15.69	12.80	8.51
11(2462)	15.27	12.35	8.43

Note:

1. Per KDB248227 D01 v02r02, choose the highest output power channel to test SAR and determine further SAR exclusion
2. For each frequency band, testing at higher data rates and higher order modulations is not required when the maximum average output power for each of these configurations is less than 1/4dB higher than those measured at lowest data rate
3. Per KDB248227 D01 v02r02, 802.11g /11n-HT20/11n-HT40 is not required. . When the highest reported SAR for DSSS is adjusted by the ratio of OFDM to DSSS specified maximum output power and the adjusted SAR is $\leq 1.2\text{W/Kg}$. Thus the SAR can be excluded.

7.5 Bluetooth Output Power

Channel	Frequency (MHz)	BT3.0 Output Power(dBm)		
		GFSK	π /4-DQPSK	8-DPSK
CH 0	2402	8.11	9.23	9.46
CH 39	2441	8.34	9.44	9.49
CH 78	2480	7.76	9.34	9.49
Channel	Frequency (MHz)	BT4.0 Output Power(dBm)		
		GFSK		
CH 0	2402	5.767		
CH 20	2442	5.567		
CH 39	2480	5.362		

8. SAR test Exclusion and estimate SAR calculation:

Note:

1. Per KDB 447498 D01v06, the 1-g and 10-g SAR test exclusion thresholds for 100MHz to 6GHz at test separation distances $\leq 50\text{mm}$ are determined by: $[(\text{max. power of channel, including tune-up tolerance, mW}) / (\text{min. test separation distance, mm})] \cdot [\sqrt{f} \text{ (GHz)}] \leq 3.0$ for 1-g SAR and ≤ 7.5 for 10-g extremity SAR
 - (1) f(GHz) is the RF channel transmit frequency in GHz
 - (2) Power and distance are round to the nearest mW and mm before calculation
 - (3) The result is rounded to one decimal place for comparison
 - (4) If the test separation distance(antenna-user) is $< 5\text{mm}$, 5mm is used for excluded SAR calculation
 - (5)

BT3.0 Max Power (dBm)	mW	Test Distance (mm)	Frequency(GHz)	Exclusion Thresholds
9.5	8.913	5	2.45	2.790

Per KDB 447498 D01v06 exclusion thresholds is $2.790 < 3$, RF exposure evaluation is not required.

BT estimated SAR value = $\text{Exclusion Thresholds} / 7.5 = 2.790 / 7.5 = \mathbf{0.372\text{W/Kg}}$

BT3.0 Max Power (dBm)	mW	Test Distance (mm)	Frequency(GHz)	Exclusion Thresholds
9.5	8.913	10	2.45	1.395

Per KDB 447498 D01v06 exclusion thresholds is $1.395 < 3$, RF exposure evaluation is not required.

BT estimated SAR value = $\text{Exclusion Thresholds} / 7.5 = 1.395 / 7.5 = \mathbf{0.186\text{W/Kg}}$

BT4.0 Max Power (dBm)	mW	Test Distance (mm)	Frequency(GHz)	Exclusion Thresholds
6	3.981	5	2.45	1.246

Per KDB 447498 D01v06 exclusion thresholds is $1.246 < 3$, RF exposure evaluation is not required.

BT estimated SAR value = $\text{Exclusion Thresholds} / 7.5 = 1.246 / 7.5 = \mathbf{0.166\text{W/Kg}}$

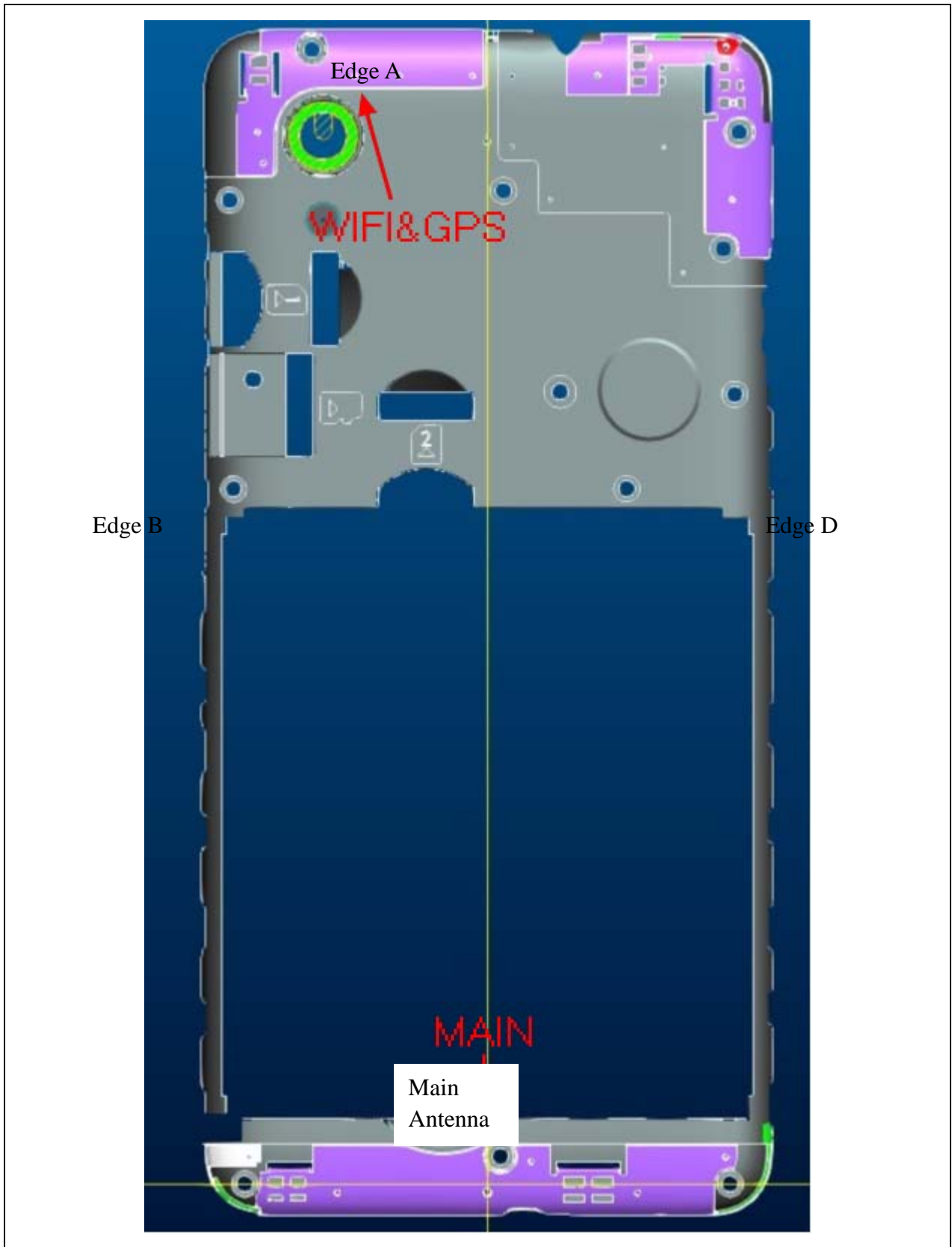
BT4.0 Max Power (dBm)	mW	Test Distance (mm)	Frequency(GHz)	Exclusion Thresholds
6	3.981	10	2.45	0.623

Per KDB 447498 D01v06 exclusion thresholds is $0.623 < 3$, RF exposure evaluation is not required.

BT estimated SAR value = $\text{Exclusion Thresholds} / 7.5 = 0.623 / 7.5 = \mathbf{0.083\text{W/Kg}}$

The estimated SAR value is used for simultaneous transmission analysis.

Antenna Location:



Antenna-to-User (Edge Side) distance (mm):

Antenna	Front	Back	Edge A	Edge B	Edge C	Edge D
WWAN Main Antenna	4	2	146	5	1	6
WIFI	2	2	0	6	124	40

Note: The diagonal distance of the overall section is 14.5cm.

The Body SAR measurement positions of each band are as below:

Antenna	Front	Back	Edge A	Edge B	Edge C	Edge D
WWAN Antenna Body-worn	Yes	Yes	No	No	No	No
WWAN Antenna hotspot	Yes	Yes	No	Yes	Yes	Yes
WIFI	Yes	Yes	Yes	Yes	No	No

Note: According to KDB 941225 D06 v02r01, when antenna-to-edge > 2.5cm, SAR is not required.



9. Scaling Factor calculation

Operation Mode	Channel	Output Power(dBm)	Tune up Power in tolerance(dBm)	Scaling Factor
GSM850	128	32.25	31.5 ± 1.0	1.059
	190	32.24	31.5 ± 1.0	1.062
	251	32.20	31.5 ± 1.0	1.072
GPRS850(GPRS) 4Tx	128	27.08	26.5 ± 1.0	1.102
	190	27.20	26.5 ± 1.0	1.072
	251	27.13	26.5 ± 1.0	1.089
GSM1900	512	29.33	28.5 ± 1.0	1.040
	661	28.89	28.5 ± 1.0	1.151
	810	28.64	28.5 ± 1.0	1.219
GPRS1900(GPRS) 4Tx	512	23.69	23.5 ± 1.0	1.205
	661	23.56	23.5 ± 1.0	1.242
	810	24.31	23.5 ± 1.0	1.045
WCDMA850	4132	22.28	21.5 ± 1.0	1.052
	4183	22.19	21.5 ± 1.0	1.074
	4233	22.23	21.5 ± 1.0	1.064
WCDMA1900	9262	22.25	21.5 ± 1.0	1.059
	9400	22.21	21.5 ± 1.0	1.069
	9538	22.23	21.5 ± 1.0	1.064
WIFI 2.4G 802.11b	1	16.00	15.5 ± 1.0	1.122
	6	15.69	15.5 ± 1.0	1.205
	11	15.27	15.5 ± 1.0	1.327
BT	CH39	9.49	8.5 ± 1.0	1.002

10. Test Results

Table 1: SAR Values of GSM 850MHz Band

Temperature: 23.0~23.5°C, humidity: 62~64%.								
Test Positions			Channel /Frequency (MHz)	SAR(W/Kg), 1.6 (1g average)				Plot No.
				SAR (W/Kg), 1g	Scaled Factor	Scaled SAR (W/Kg), 1g	Power drift (%)	
Head	Left	Cheek	190/836.6	0.543	1.062	0.577	4.25	1
		Tilt	190/836.6	0.466	1.062	0.495	-1.13	--
	Right	Cheek	190/836.6	0.431	1.062	0.458	-1.68	--
		Tilt	190/836.6	0.309	1.062	0.328	-3.48	--
Body-worn (10mm Separation)	GPRS (4Tx)	Face Upward	190/836.6	0.690	1.072	0.740	1.25	--
		Back Upward	128/824.2	0.873	1.102	0.962	2.23	--
			190/836.6	0.880	1.072	0.943	-0.77	2
			251/848.8	0.775	1.089	0.844	-4.88	--
			128/824.2 Repeated	0.851	1.102	0.938	3.25	--
			190/836.6 Repeated	0.833	1.072	0.893	1.24	--
			251/848.8 Repeated	0.846	1.089	0.921	-3.74	--
Hotspot (10mm Separation)	GPRS (4Tx)	Face Upward	190/836.6	0.690	1.072	0.740	1.25	--
		Back Upward	128/824.2	0.873	1.102	0.962	2.23	--
			190/836.6	0.880	1.072	0.943	-0.77	2
			251/848.8	0.775	1.089	0.844	-4.88	--
			128/824.2 Repeated	0.851	1.102	0.938	3.25	--
			190/836.6 Repeated	0.833	1.072	0.893	1.24	--
			251/848.8 Repeated	0.846	1.089	0.921	-3.74	--
		Edge B	190/836.6	0.611	1.072	0.655	-2.30	--
		Edge C	190/836.6	0.516	1.072	0.553	3.40	--
		Edge D	190/836.6	0.580	1.072	0.622	-4.46	--



Table 2: SAR Values of GSM1900 MHz Band

Temperature: 23.0~23.5°C, humidity: 62~64%.

Test Positions		Channel /Frequency (MHz)	SAR(W/Kg), 1.6 (1g average)				Plot No.	
			SAR (W/Kg), 1g	Scaled Factor	Scaled SAR (W/Kg), 1g	Power drift (%)		
Head	Left	Cheek	661/1880	0.059	1.151	0.068	-0.05	--
		Tilt	661/1880	0.018	1.151	0.021	3.39	--
	Right	Cheek	661/1880	0.116	1.151	0.134	0.24	3
		Tilt	661/1880	0.037	1.151	0.043	0.24	--
Body-worn (10mm Separation)	GPRS (4Tx)	Face Upward	661/1880	0.126	1.242	0.156	-1.56	--
		Back Upward	661/1880	0.377	1.242	0.468	-0.31	4
Hotspot (10mm Separation)	GPRS (4Tx)	Face Upward	661/1880	0.126	1.242	0.156	-1.56	--
		Back Upward	661/1880	0.377	1.242	0.468	-0.31	4
		Edge B	661/1880	0.025	1.242	0.031	-1.15	--
		Edge C	661/1880	0.104	1.242	0.129	-1.32	--
		Edge D	661/1880	0.055	1.242	0.068	-1.57	--

Table 3: SAR Values of WCDMA850

Temperature: 23.0~23.5°C, humidity: 62~64%.								
Test Positions			Channel /Frequency (MHz)	SAR(W/Kg), 1.6 (1g average)				Plot No.
				SAR (W/Kg),1g	Scaled Factor	Scaled SAR (W/Kg),1g	Power drift (%)	
Head	Left	Cheek	4183/836.6	0.338	1.074	0.363	-0.39	--
		Tilt	4183/836.6	0.165	1.074	0.177	-1.10	--
	Right	Cheek	4183/836.6	0.437	1.074	0.469	3.29	5
		Tilt	4183/836.6	0.308	1.074	0.331	-1.68	--
Body-worn (10mm Separation)		Face Upward	4183/836.6	0.406	1.074	0.436	-0.33	--
		Back Upward	4183/836.6	0.429	1.074	0.461	-1.23	6
Hotspot (10mm Separation)		Face Upward	4183/836.6	0.406	1.074	0.436	-0.33	--
		Back Upward	4183/836.6	0.429	1.074	0.461	-1.23	6
		Edge B	4183/836.6	0.311	1.074	0.334	-0.68	--
		Edge C	4183/836.6	0.091	1.074	0.098	-1.58	--
		Edge D	4183/836.6	0.253	1.074	0.272	-0.16	--



Table 4: SAR Values of WCDMA1900

Temperature: 23.0~23.5°C, humidity: 62~64%.								
Test Positions			Channel /Frequency (MHz)	SAR(W/Kg), 1.6 (1g average)				Plot No.
				SAR (W/Kg),1g	Scaled Factor	Scaled SAR (W/Kg),1g	Power drift (%)	
Head	Left	Cheek	9400/1880	0.049	1.069	0.052	1.40	--
		Tilt	9400/1880	0.022	1.069	0.024	-0.52	--
	Right	Cheek	9400/1880	0.170	1.069	0.182	2.71	7
		Tilt	9400/1880	0.089	1.069	0.095	-2.66	--
Body-worn (10mm Separation)		Face Upward	9400/1880	0.124	1.069	0.133	-0.18	--
		Back Upward	9400/1880	0.145	1.069	0.155	-0.45	8
Hotspot (10mm Separation)		Face Upward	9400/1880	0.124	1.069	0.133	-0.18	--
		Back Upward	9400/1880	0.145	1.069	0.155	-0.45	8
		Edge B	9400/1880	0.018	1.069	0.019	-4.83	--
		Edge C	9400/1880	0.124	1.069	0.133	-0.38	--
		Edge D	9400/1880	0.053	1.069	0.057	3.77	--

Table 5: SAR Values of Wi-Fi 802.11b

Temperature: 23.0~23.5°C, humidity: 62~64%.								
Test Positions		Channel /Frequency (MHz)	SAR(W/Kg), 1.6 (1g average)				Plot No.	
			SAR (W/Kg), 1g	Scaled Factor	Scaled SAR (W/Kg), 1g	Power drift (%)		
Head	Left	Cheek	6/2437	0.504	1.205	0.607	-3.23	9
		Tilt	6/2437	0.433	1.205	0.522	0.75	--
	Right	Cheek	6/2437	0.178	1.205	0.214	1.51	--
		Tilt	6/2437	0.156	1.205	0.188	4.60	--
Body-worn (10mm Separation)	Face Upward		6/2437	0.087	1.205	0.105	2.77	--
	Back Upward		6/2437	0.089	1.205	0.107	-2.48	10
Hotspot (10mm Separation)	Face Upward		6/2437	0.087	1.205	0.105	2.77	--
	Back Upward		6/2437	0.089	1.205	0.107	-2.48	10
	Edge A		6/2437	0.051	1.205	0.061	2.83	--
	Edge B		6/2437	0.050	1.205	0.060	-1.98	--

Note:

Per KDB941225 D06 v02r01, When the antenna-to-edge distance is greater than 2.5cm, such position does not need to be tested. As the manufacture requirement the separation distance use 5mm for Hotspot mode.

Per KDB Publication 941225 D01v03r01. RMC 12.2kbps was as primary mode SAR, when the primary mode SAR less than 1.2W/kg, secondary SAR (HSPA) was not requires.

When the 1-g SAR for the mid-band channel or the channel with the highest output power satisfy the following conditions, testing of the other channels in the band is not required. (Per KDB 447498 D01 General RF Exposure Guidance v06)

- ≤ 0.8 W/kg, when the transmission band is ≤ 100 MHz
- ≤ 0.6 W/kg, when the transmission band is between 100 MHz and 200 MHz
- ≤ 0.4 W/kg, when the transmission band is ≥ 200 MHz

11. Simultaneous Transmissions Analysis

Localized Specific Absorption Rate (SAR) of this portable wireless device has been measured in all cases requested by the relevant standards cited in Clause 6 of this report. Maximum localized SAR is **below** exposure limits specified in the relevant standards.

Simultaneous SAR

No.	Transmitter Combinations	Scenario Supported or not	Supported for Mobile Hotspot or not
1	GSM + BT	Yes	No
2	GSM + WIFI 2.4G	Yes	Yes
3	WCDMA +BT	Yes	No
4	WCDMA +WIFI2.4G	Yes	Yes
5	WIFI+BT	No	No

Simultaneous Tx Combination of GSMWCDMA and BT/WIFI (Head)

Test Position		Left Cheek	Left Tilt	Right Cheek	Right Tilt
Head MAX 1-g SAR(W/Kg)	GSM850	0.577	0.495	0.458	0.328
	GSM1900	0.068	0.021	0.134	0.043
	WCDMA850	0.363	0.177	0.469	0.331
	WCDMA1900	0.052	0.024	0.182	0.095
	WIFI802.11b	0.607	0.522	0.214	0.188
	BT	0.372*	0.372*	0.372*	0.372*
WIFI Simultaneous Σ 1-g SAR(W/Kg)		1.184	1.017	0.683	0.519
BT Simultaneous Σ 1-g SAR(W/Kg)		0.949	0.867	0.841	0.703

Simultaneous Tx Combination of GSMWCDMA and BT/WIFI (Body).

Test Position		Face	Back	Edge A	Edge B	Edge C	Edge D
Body-worn 10mm separation MAX 1-g SAR(W/Kg)	GSM850	0.740	0.962	/	/	/	/
	GSM1900	0.156	0.468	/	/	/	/
	WCDMA850	0.436	0.461	/	/	/	/
	WCDMA1900	0.133	0.155	/	/	/	/
	WIFI802.11b	0.105	0.107	/	/	/	/
	BT	0.186*	0.186*	/	/	/	/
WIFI Simultaneous Σ 1-g SAR(W/Kg)		0.845	1.069	/	/	/	/
BT Simultaneous Σ 1-g SAR(W/Kg)		0.926	1.148	/	/	/	/

Simultaneous Tx Combination of GSMWCDMA and WIFI (Body).

Test Position		Face	Back	Edge A	Edge B	Edge C	Edge D
Hotspot 10mm separation MAX 1-g SAR(W/Kg)	GSM850	0.740	0.962	/	0.655	0.553	0.622
	GSM1900	0.156	0.468	/	0.031	0.129	0.068
	WCDMA850	0.436	0.461	/	0.334	0.098	0.272
	WCDMA1900	0.133	0.155	/	0.019	0.133	0.057
	WIFI802.11b	0.105	0.107	0.061	0.060	/	/
	BT	0.186*	0.186*	0.186*	0.186*	/	/
WIFI Simultaneous Σ 1-g SAR(W/Kg)		0.845	1.069	0.061	0.715	/	/
BT Simultaneous Σ 1-g SAR(W/Kg)		0.926	1.148	0.186	0.841	/	/

The estimated SAR value with * Signal

SAR to Peak Location Separation Ratio (SPLSR)

As the Sum of the SAR is not greater than 1.6 W/kg SPLSR assessment is not required

12. Measurement Uncertainty

No.	Uncertainty Component	Type	Uncertainty Value (%)	Probability Distribution	k	ci	Standard Uncertainty (%) $u_i(\%)$	Degree of freedom ν_{eff} or ν_i
Measurement System								
1	- Probe Calibration	B	5.8	N	1	1	5.8	∞
2	- Axial isotropy	B	3.5	R	$\sqrt{3}$	0.5	1.43	∞
3	- Hemispherical Isotropy	B	5.9	R	$\sqrt{3}$	0.5	2.41	∞
4	- Boundary Effect	B	1	R	$\sqrt{3}$	1	0.58	∞
5	- Linearity	B	4.7	R	$\sqrt{3}$	1	2.71	∞
6	- System Detection Limits	B	1.0	R	$\sqrt{3}$	1	0.58	∞
7	Modulation response	B	3	N	1	1	3.00	
8	- Readout Electronics	B	0.5	N	1	1	0.50	∞
9	- Response Time	B	1.4	R	$\sqrt{3}$	1	0.81	∞
10	- Integration Time	B	3.0	R	$\sqrt{3}$	1	1.73	∞
11	- RF Ambient Conditions	B	3.0	R	$\sqrt{3}$	1	1.73	∞
12	- Probe Position Mechanical tolerance	B	1.4	R	$\sqrt{3}$	1	0.81	∞
13	- Probe Position with respect to Phantom Shell	B	1.4	R	$\sqrt{3}$	1	0.81	∞
14	- Extrapolation, Interpolation and Integration Algorithms for Max. SAR evaluation	B	2.3	R	$\sqrt{3}$	1	1.33	∞



Uncertainties of the DUT								
15	- Position of the DUT	A	2.6	N	$\sqrt{3}$	1	2.6	5
16	- Holder of the DUT	A	3	N	$\sqrt{3}$	1	3.0	5
17	- Output Power Variation -SAR drift measurement	B	5.0	R	$\sqrt{3}$	1	2.89	∞
Phantom and Tissue Parameters								
18	- Phantom Uncertainty(shape and thickness tolerances)	B	4	R	$\sqrt{3}$	1	2.31	∞
19	Uncertainty in SAR correction for deviation(in permittivity and conductivity)	B	2	N	1	1	2.00	
20	- Liquid Conductivity Target -tolerance	B	2.5	R	$\sqrt{3}$	0.6	1.95	∞
21	- Liquid Conductivity -measurement Uncertainty)	B	4	N	$\sqrt{3}$	1	0.92	9
22	- Liquid Permittivity Target tolerance	B	2.5	R	$\sqrt{3}$	0.6	1.95	∞
23	- Liquid Permittivity -measurement uncertainty	B	5	N	$\sqrt{3}$	1	1.15	∞
Combined Standard Uncertainty				RSS			10.63	
Expanded uncertainty (Confidence interval of 95 %)				K=2			21.26	

System Check Uncertainty

No.	Uncertainty Component	Type	Uncertainty Value (%)	Probability Distribution	k	ci	Standard Uncertainty (%) $u_i(\%)$	Degree of freedom V_{eff} or v_i
Measurement System								
1	- Probe Calibration	B	5.8	N	1	1	5.8	∞



2	- Axial isotropy	B	3.5	R	$\sqrt{3}$	0.5	1.43	∞
3	- Hemispherical Isotropy	B	5.9	R	$\sqrt{3}$	0.5	2.41	∞
4	- Boundary Effect	B	1	R	$\sqrt{3}$	1	0.58	∞
5	- Linearity	B	4.7	R	$\sqrt{3}$	1	2.71	∞
6	- System Detection Limits	B	1	R	$\sqrt{3}$	1	0.58	∞
7	Modulation response	B	0	N	1	1	0.00	
8	- Readout Electronics	B	0.5	N	1	1	0.50	∞
9	- Response Time	B	0.00	R	$\sqrt{3}$	1	0.00	∞
10	- Integration Time	B	1.4	R	$\sqrt{3}$	1	0.81	∞
11	- RF Ambient Conditions	B	3.0	R	$\sqrt{3}$	1	1.73	∞
12	- Probe Position Mechanical tolerance	B	1.4	R	$\sqrt{3}$	1	0.81	∞
13	- Probe Position with respect to Phantom Shell	B	1.4	R	$\sqrt{3}$	1	0.81	∞
14	- Extrapolation, Interpolation and Integration Algorithms for Max. SAR evaluation	B	2.3	R	$\sqrt{3}$	1	1.33	∞
Uncertainties of the DUT								
15	Deviation of experimental source from numerical source	A	4	N	1	1	4.00	5
16	Input Power and SAR drift measurement	A	5	R	$\sqrt{3}$	1	2.89	5
17	Dipole Axis to Liquid Distance	B	2	R	$\sqrt{3}$	1	1.2	∞



Phantom and Tissue Parameters								
18	- Phantom Uncertainty(shape and thickness tolerances)	B	4	R	$\sqrt{3}$	1	2.31	∞
19	Uncertainty in SAR correction for deviation(in permittivity and conductivity)	B	2	N	1	1	2.00	
20	- Liquid Conductivity Target -tolerance	B	2.5	R	$\sqrt{3}$	0.6	1.95	∞
21	- Liquid Conductivity -measurement Uncertainty)	B	4	N	$\sqrt{3}$	1	0.92	9
22	- Liquid Permittivity Target tolerance	B	2.5	R	$\sqrt{3}$	0.6	1.95	∞
23	- Liquid Permittivity -measurement uncertainty	B	5	N	$\sqrt{3}$	1	1.15	∞
Combined Standard Uncertainty				RSS			10.15	
Expanded uncertainty (Confidence interval of 95 %)				K=2			20.29	



13. Equipment List

This table is a complete overview of the SAR measurement equipment. Devices used during the test described are marked .

	EQUIPMENT	Model	Serial number	Calibration Date	Due Date
<input checked="" type="checkbox"/>	SAR Probe	SSE5	SN 04/13 EP166	2018/04/01	2019/03/31
<input type="checkbox"/>	Dipole	SID750	SN 23/15 DIP0G750-378	2017/11/27	2019/11/26
<input checked="" type="checkbox"/>	Dipole	SID835	SN 09/13 DIP0G835-217	2017/11/27	2019/11/26
<input type="checkbox"/>	Dipole	SID1800	SN 09/13 DIP1G800-216	2017/11/27	2019/11/26
<input checked="" type="checkbox"/>	Dipole	SID1900	SN 09/13 DIP1G900-218	2017/11/27	2019/11/26
<input checked="" type="checkbox"/>	Dipole	SID2450	SN_09/13_DIP2G450-220	2017/11/27	2019/11/26
<input type="checkbox"/>	Dipole	SID2600	SN 32/14_DIP2G600-338	2017/11/27	2019/11/26
<input type="checkbox"/>	SAR Probe	SSE2	SN27/15 EPGO261	2018/11/20	2019/11/19
<input type="checkbox"/>	Dipole	SWG5500	SN15/15 WGA39	2017/11/27	2019/11/26
<input checked="" type="checkbox"/>	Multimeter	Keithley-2000	4085310	2018/09/06	2019/09/05
<input checked="" type="checkbox"/>	System Simulator(Agilent 8960)	E5515C	GB 47200710	2017/11/08	2019/11/07
<input checked="" type="checkbox"/>	System Simulator(R&S)	CMW500	130805	2017/08/29	2019/08/28
<input checked="" type="checkbox"/>	KEYSIGHT	E7515A	MY56040357	2018/04/18	2019/04/18
<input checked="" type="checkbox"/>	Vector Network Analyzer(R&S)	ZVB8	A0802530	2018/05/09	2019/05/09
<input checked="" type="checkbox"/>	PC 3.5 Fixed Match Calibration Kit	ZV-Z32	100571	2017/11/29	2019/11/28
<input checked="" type="checkbox"/>	Dielectric Probe Kit	SCLMP	SN 09/13 OCPG51	2017/11/27	2019/11/26
<input checked="" type="checkbox"/>	Signal Generator	SMU200A	A140801889	2018/05/09	2019/05/09
<input checked="" type="checkbox"/>	Amplifier	Nucletudes	143060	2018/03/27	2019/03/28
<input checked="" type="checkbox"/>	Directional Coupler	DC6180A	305827	2018/03/27	2019/03/28
<input checked="" type="checkbox"/>	Power Meter	NRP2	A140401673	2018/03/27	2019/03/28
<input checked="" type="checkbox"/>	Power Sensor	NPR-Z11	1138.3004.02-114072-nq	2018/03/27	2019/03/28
<input checked="" type="checkbox"/>	Power Meter	NRVS	A0802531	2018/03/27	2019/03/28
<input checked="" type="checkbox"/>	Power Sensor	NRV-Z4	100069	2018/03/27	2019/03/28



ANNEX A: Appendix A: SAR System performance Check Plots

(Please See Appendix A)

ANNEX B: Appendix B: SAR Measurement results Plots

(Please See Appendix B)

ANNEX C: Appendix C: Calibration reports

(Please See Appendix C)

ANNEX D: Appendix D: SAR Test Setup

(Please See Appendix D)

—End of the Report—