



# RF TEST REPORT

**Applicant** ZTE Corporation  
**FCC ID** SRQ-A2023PG  
**Product** 5G NR Multi model smart phone  
**Model** ZTE A2023PG  
**Report No.** R2203A0249-R8V1  
**Issue Date** June 1, 2022

TA Technology (Shanghai) Co., Ltd. tested the above equipment in accordance with the requirements in **FCC CFR47 Part 15C (2021)**. The test results show that the equipment tested is capable of demonstrating compliance with the requirements as documented in this report.

Prepared by: Peng Tao

Approved by: Kai Xu

---

**TA Technology (Shanghai) Co., Ltd.**

No.145, Jintang Rd, Tangzhen Industry Park, Pudong Shanghai, China

TEL: +86-021-50791141/2/3

FAX: +86-021-50791141/2/3-8000



## TABLE OF CONTENT

1. Test Laboratory .....	5
1.1. Notes of the test report.....	5
1.2. Test facility .....	5
1.3. Testing Location.....	5
2. General Description of Equipment under Test.....	6
2.1. Applicant and Manufacturer Information.....	6
2.2. General information.....	6
3. Applied Standards .....	8
4. Test Configuration .....	9
5. Test Case .....	10
5.1. 20dB Bandwidth .....	10
5.2. Frequency Stability.....	11
5.3. Radiates Emission .....	13
5.4. Conducted Emission .....	16
6. Test Results .....	17
6.1. 20dB Bandwidth .....	17
6.2. Frequency Stability.....	19
6.3. Radiates Emission .....	23
6.4. Conducted Emission .....	26
7. Main Test Instruments --- .....	28
ANNEX A: The EUT Appearance .....	29
ANNEX B: Test Setup Photos .....	30



Version	Revision description	Issue Date
Rev.0	Initial issue of report.	May 13, 2022
Rev.1	Update information.	June 1, 2022

Note: This revised report (Report No. R2203A0249-R8V1) supersedes and replaces the previously issued report (Report No. R2203A0249-R8). Please discard or destroy the previously issued report and dispose of it accordingly.



## Summary of measurement results

Number	Test Case	Clause in FCC rules	Verdict
1	20 dB bandwidth	2.1049	PASS
2	Frequency Stability Tolerance	15.225(e)	PASS
3	Radiated Emissions	15.225 (a) (b) (c) (d) and 15.209	PASS
4	Conducted Emissions	15.207	PASS

Date of Testing: March 17, 2022 and May 11, 2022  
Date of Sample Received: March 17, 2022

Note: PASS: The EUT complies with the essential requirements in the standard.  
FAIL: The EUT does not comply with the essential requirements in the standard.

All indications of Pass/Fail in this report are opinions expressed by TA Technology (Shanghai) Co., Ltd. based on interpretations and/or observations of test results. Measurement Uncertainties were not taken into account and are published for informational purposes only.



## 1. Test Laboratory

### 1.1. Notes of the test report

This report shall not be reproduced in full or partial, without the written approval of **TA technology (shanghai) co., Ltd.** The results documented in this report apply only to the tested sample, under the conditions and modes of operation as described herein. Measurement Uncertainties were not taken into account and are published for informational purposes only. This report is written to support regulatory compliance of the applicable standards stated above. This report must not be used by the client to claim product certification, approval, or endorsement by any government agencies.

### 1.2. Test facility

#### **FCC (Designation number: CN1179, Test Firm Registration Number: 446626)**

TA Technology (Shanghai) Co., Ltd. has been listed on the US Federal Communications Commission list of test facilities recognized to perform electromagnetic emissions measurements.

#### **A2LA (Certificate Number: 3857.01)**

TA Technology (Shanghai) Co., Ltd. has been listed by American Association for Laboratory Accreditation to perform electromagnetic emission measurement.

### 1.3. Testing Location

Company: TA Technology (Shanghai) Co., Ltd.  
Address: No.145, Jintang Rd, Tangzhen Industry Park, Pudong  
City: Shanghai  
Post code: 201201  
Country: P. R. China  
Contact: Xu Kai  
Telephone: +86-021-50791141/2/3  
Fax: +86-021-50791141/2/3-8000  
Website: <http://www.ta-shanghai.com>  
E-mail: [xukai@ta-shanghai.com](mailto:xukai@ta-shanghai.com)

## 2. General Description of Equipment under Test

### 2.1. Applicant and Manufacturer Information

<b>Applicant</b>	ZTE Corporation
<b>Applicant address</b>	ZTE Plaza, #55 Keji Road South, Hi-Tech Industrial Park, Nanshan District, Shenzhen, China
<b>Manufacturer</b>	ZTE Corporation
<b>Manufacturer address</b>	ZTE Plaza, #55 Keji Road South, Hi-Tech Industrial Park, Nanshan District, Shenzhen, China

### 2.2. General information

EUT Description				
Model	ZTE A2023PG			
SN	327324440042			
Hardware Version	ZTE A2023PGHW1.0			
Software Version	MyOS12.0.2_A2023PG_GLB			
Power Supply	Battery / AC adapter			
Antenna Type	Internal Antenna			
Antenna Connector	A permanently attached antenna (meet with the standard FCC Part 15.203 requirement)			
Test Mode	NFC-A	NFC-B	NFC-F	NFC-V
Modulation Type	ASK	ASK, BPSK	ASK	ASK
Operating Frequency Range(s)	13.56MHz			
Rated Power Supply Voltage	3.89V			
Operating Voltage	Minimum: 3.70V    Maximum: 4.45V			
Operating Temperature	Lowest: -10°C    Highest: +40°C			
Testing Temperature	Lowest: -20°C    Highest: +50°C			
EUT Accessory				
Adapter	Manufacturer: ShenZhen KunXing Technology Co., Ltd. Model: STC-A59152050AC-Z			
Battery	Manufacturer: Zhuhai Cosmx Battery Co., Ltd. Model: Li3949T44P8h806459			
Earphone 1	Manufacturer: JUWEI ELECTRONICS CO.,LTD Model: JWEP1092-Z01			
Earphone 2	Manufacturer: ShenZhen FDC Electronic Co.,Ltd Model: DEM-9A			



USB Cable 1	Manufacturer: King Power Electronics Co., Ltd Model: TC20-TC20-W-100-M-6A-HSF
USB Cable 2	Manufacturer: Luxshare-ICT Co., Ltd Model: TC20-TC20-W-100-M-6A-HSF
Type-C to 3.5 mm Headphone Jack	Manufacturer: HUIZHOU JUWEI ELECTRONICS CO., LTD Model: HMZ24
<p>Note: 1. The EUT is sent from the applicant to TA and the information of the EUT is declared by the applicant.</p> <p>2. There is more than one USB cable/ Earphone, each one should be applied throughout the compliance test respectively, and however, only the worst case (USB cable 1) will be recorded in this report.</p>	



### 3. Applied Standards

According to the specifications of the manufacturer, it must comply with the requirements of the following standards:

**Test standards:**

**FCC CFR47 Part 15C (2021)**

**ANSI C63.10 (2013)**

**Reference standard:**

**FCC CFR47 Part 2 (2021)**





## 4. Test Configuration

### Test Mode

The EUT has been associated with peripherals and configuration operated in a manner tended to maximize its emission characteristics in a typical application.

## 5. Test Case

### 5.1. 20dB Bandwidth

#### Ambient condition

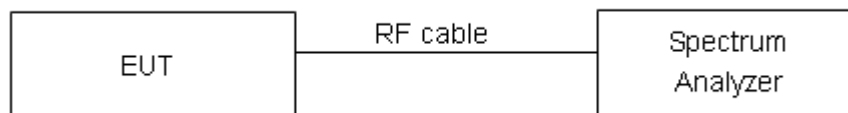
Temperature	Relative humidity	Pressure
23°C ~25°C	45%~50%	101.5kPa

#### Method of Measurement

The EUT was connected to the spectrum analyzer through an external attenuator (20dB) and a known loss cable. RBW is set to 10 kHz; VBW is set to 3 times the RBW on spectrum analyzer.

Note: Because the measured signal is CW or CW-like adjusting the RBW per C63.10 would not be practical since measured bandwidth will always follow the RBW and the result will be approximately twice the RBW.

#### Test Setup



#### Limits

No specific occupied bandwidth requirements in part 2.1049.

#### Measurement Uncertainty

The assessed measurement uncertainty to ensure 95% confidence level for the normal distribution is with the coverage factor  $k = 2$ ,  $U = 936$  Hz.

#### Test Results

Refer to the section 6.1 of this report for test data.

## 5.2. Frequency Stability

### Ambient condition

Temperature	Relative humidity
21°C ~25°C	40%~60%

### Method of Measurement

#### 1. Frequency Stability (Temperature Variation)

The temperature inside the climate chamber is varied from -20°C to +50°C in 10°C step size,

(1) With all power removed, the temperature was decreased to 0°C and permitted to stabilize for three hours.

(2) Measure the carrier frequency with the test equipment in a “call mode”. These measurements should be made within 1 minute of powering up the mobile station, to prevent significant self warming.

(3) Repeat the above measurements at 10°C increments from -20°C to +50°C. Allow at least 1.5 hours at each temperature, un-powered, before making measurements.

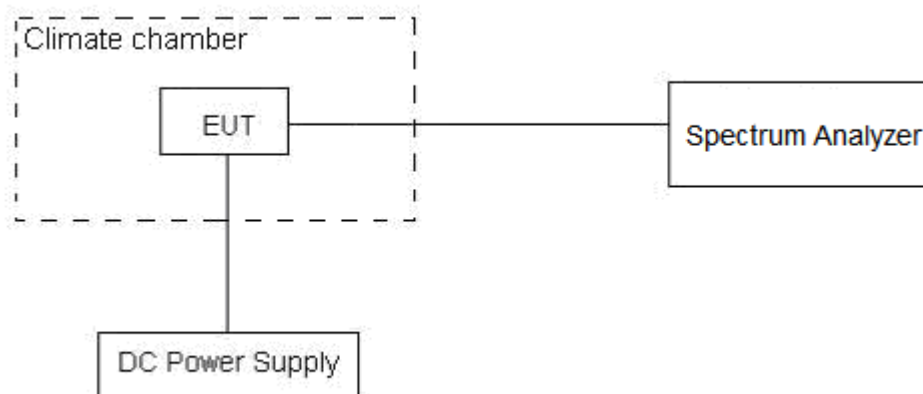
#### 2. Frequency Stability (Voltage Variation)

The frequency stability shall be measured with variation of primary supply voltage as follows:

**Primary Supply Voltage:** The primary supply voltage is varied from 85% to 115% of the nominal value for non hand-carried battery and AC powered equipment. For hand-carried, battery-powered equipment, primary supply voltage is reduced to the battery operating end point which shall be specified by the manufacturer.

This transceiver is specified to operate with an input voltage of between 3.7 V and 4.45 V, with a nominal voltage of 3.89V.

### Test setup





## Limits

Rule Part 15.225 (e) The frequency tolerance of the carrier signal shall be maintained within  $\pm 0.01\%$  of the operating frequency over a temperature variation of  $-20$  degrees to  $+ 50$  degrees C at normal supply voltage, and for a variation in the primary supply voltage from 85% to 115% of the rated supply voltage at a temperature of 20 degrees C. For battery operated equipment, the equipment tests shall be performed using a new battery.

## Measurement Uncertainty

The assessed measurement uncertainty to ensure 99.75% confidence level for the normal distribution is with the coverage factor  $k = 3$ ,  $U = 0.01\text{ppm}$ .

## Test Results

Refer to the section 6.2 of this report for test data.

### 5.3. Radiates Emission

#### Ambient condition

Temperature	Relative humidity	Pressure
23°C ~25°C	45%~50%	102.5kPa

#### Method of Measurement

The test set-up was made in accordance to the general provisions of ANSI C63.10. The Equipment Under Test (EUT) was set up on a non-conductive table in the semi-anechoic chamber. The test was performed at the distance of 3 m between the EUT and the receiving antenna. The radiated emissions measurements were made in a typical installation configuration.

Sweep the whole frequency band through the range from 9 kHz to the 10th harmonic of the carrier, and the emissions less than 20 dB below the permissible value are reported.

During the test, below 30MHz, the center of the loop shall be 1 meters; above 30MHz, the height of receive antenna shall be moved from 1 to 4 meters, and the antenna shall be performed under horizontal and vertical polarization. The turntable shall be rotated from 0 to 360 degrees for detecting the maximum of radiated spurious signal level. The measurements shall be repeated with orthogonal polarization of the test antenna. The data of cable loss and antenna factor has been calibrated in full testing frequency range before the testing.

Set the spectrum analyzer in the following:

#### Out-of-band

Below 30MHz

RBW=9KHz, VBW=30KHz, detector=peak;

Above 30MHz,

RBW=100KHz, VBW=300KHz, Detector=peak

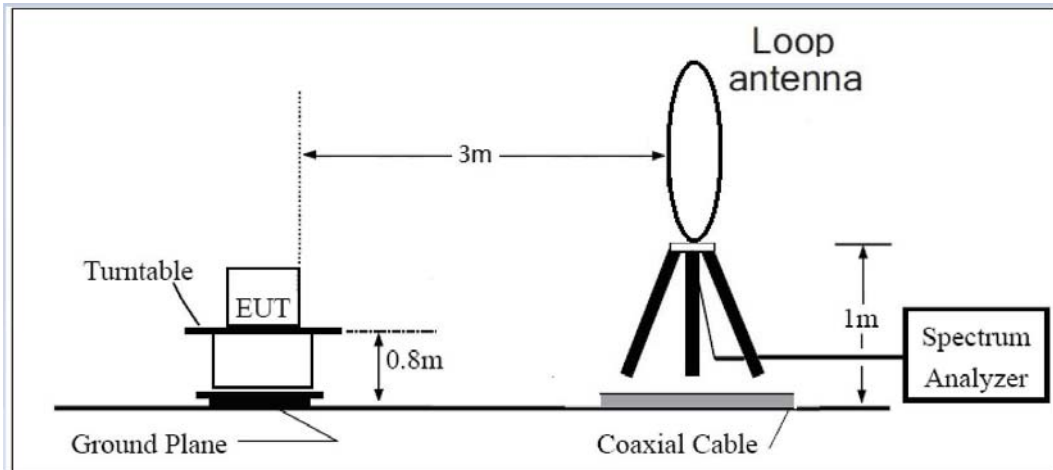
#### In-band

RBW=9KHz, VBW=30KHz, detector=peak;

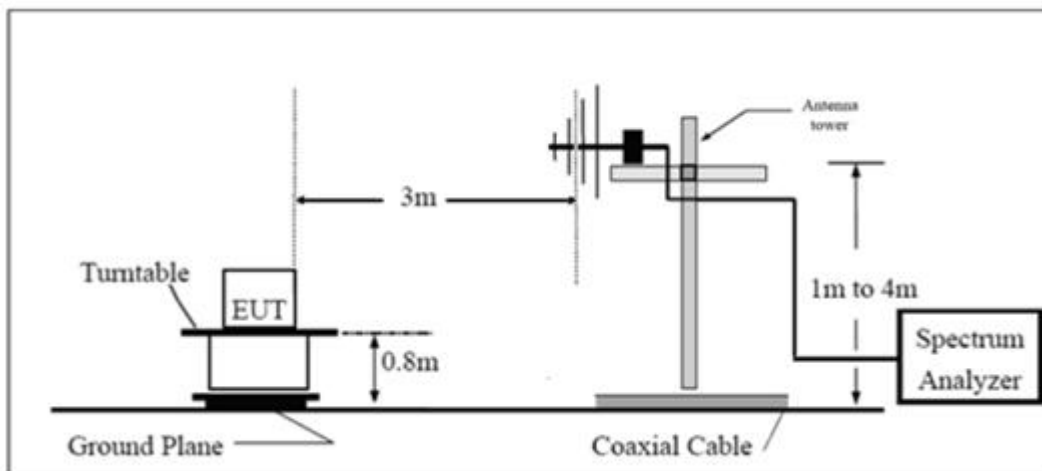
The field strength of spurious emission was measured in the following position: EUT stand-up position (Z axis), lie-down position (X, Y axis). The worst emission was found in lie-down position (X axis) and the loop antenna is vertical, the other antennas are vertical and horizontal.

**Test setup**

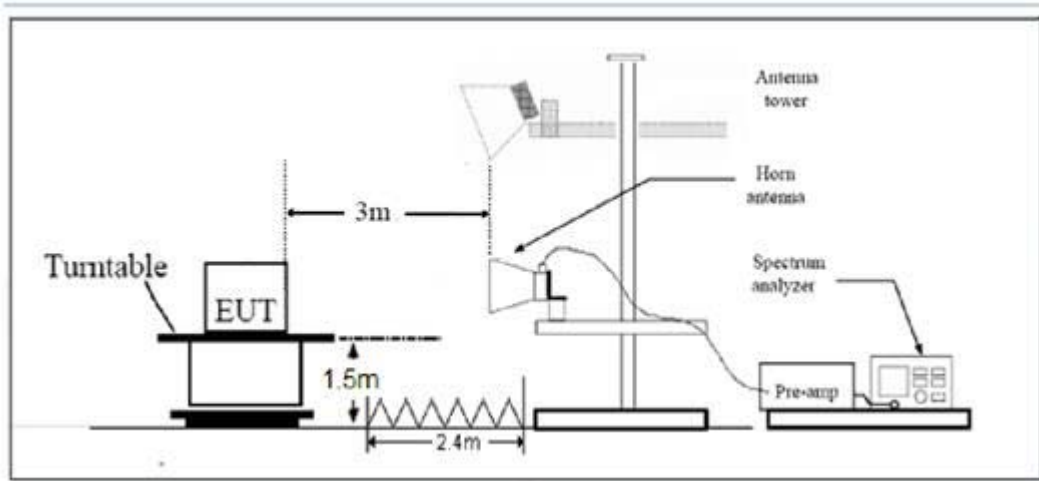
**9kHz~~~ 30MHz**



**30MHz~~~ 1GHz**



**Above 1GHz**



Note: Area side:2.4mX3.6m

**Limits**

Clause 15.225(a) the field strength of any emissions within the band 13.553-13.567 MHz shall not

exceed 15,848 microvolts/meter at 30 meters.

Clause 15.225(b) within the bands 13.410-13.553 MHz and 13.567-13.710 MHz, the field strength of any emissions shall not exceed 334 microvolts/meter at 30 meters.

Clause 15.225(c) within the bands 13.110-13.410 MHz and 13.710-14.010 MHz the field strength of any emissions shall not exceed 106 microvolts/meter at 30 meters.

Clause 15.225(d) The field strength of any emissions appearing outside of the 13.110-14.010 MHz band shall not exceed the general radiated emission limits in §15.209.

§15.209 (a) Except as provided elsewhere in this subpart, the emissions from an intentional radiator shall not exceed the field strength levels specified in the following table:

Frequency of emission (MHz)	Field strength(uV/m)	Field strength(dBuV/m)
0.009–0.490	2400/F(kHz)	128.519dBuV/m -93.8dBuV/m
0.490–1.705	24000/F(kHz)	73.8dBuV/m -62.969dBuV/m
1.705–30.0	30	69.5 dBuV/m
30-88	100	40 dBuV/m
88-216	150	43.5 dBuV/m
216-960	200	46 dBuV/m
Above960	500	54 dBuV/m

When using other measurement distance, according to the standard C63.10, If that point is closer to the EUT than  $\lambda/2\pi$  and the limit distance is greater than  $\lambda/2\pi$ , the data was extrapolated to the specified measurement distance of 30m using extrapolation factor as specified in §6.4.4.2. Extrapolation Factor =  $40\log(d \text{ near filed}/ d \text{ measure}) + 20\log(d \text{ limit} / d \text{ near filed})$

\*\*Except as provided in paragraph (g), fundamental emissions from intentional radiators operating under this section shall not be located in the frequency bands 54-72 MHz, 76-88 MHz, 174-216 MHz or 470-806 MHz. However, operation within these frequency bands is permitted under other sections of this part, e.g., §§15.231 and 15.241.

§15.209 (b) In the emission table above, the tighter limit applies at the band edges.

§15.209 (d) The emission limits shown in the above table are based on measurements employing a CISPR quasi-peak detector except for the frequency bands 9-90 kHz, 110-490 kHz and above 1000 MHz. Radiated emission limits in these three bands are based on measurements employing an average detector.

**Measurement Uncertainty**

The assessed measurement uncertainty to ensure 95% confidence level for the normal distribution is with the coverage factor  $k = 1.96$ .

Frequency	Uncertainty
9KHz-30MHz	3.55 dB
30MHz-200MHz	4.02 dB
200MHz-1GHz	3.28 dB
Above 1GHz	3.70 dB

**Test Results**

Refer to the section 6.3 of this report for test data.

### 5.4. Conducted Emission

#### Ambient condition

Temperature	Relative humidity	Pressure
23°C ~25°C	45%~50%	101.5kPa

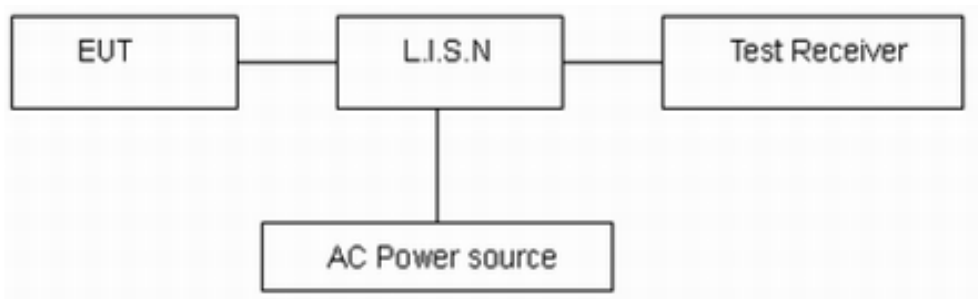
#### Methods of Measurement

The EUT is placed on a non-metallic table of 80cm height above the horizontal metal reference ground plane. During the test, the EUT was operating in its typical mode. The test method is according to ANSI C63.10. Connect the AC power line of the EUT to the L.I.S.N. Use EMI receiver to detect the average and Quasi-peak value. RBW is set to 9 kHz, VBW is set to 30kHz.

The measurement result should include both L line and N line.

The test is in transmitting mode.

#### Test Setup



Note: AC Power source is used to change the voltage 110V/60Hz.

#### Limits

§15.207 (a) Except as shown in paragraphs (b) and (c) of this section, for an intentional radiator that is designed to be connected to the public utility (AC) power line, the radio frequency voltage that is conducted back onto the AC power line on any frequency or frequencies, within the band 150 kHz to 30 MHz, shall not exceed the limits in the following table, as measured using a 50 μH/50 ohms line impedance stabilization network (LISN). Compliance with the provisions of this paragraph shall be based on the measurement of the radio frequency voltage between each power line and ground at the power terminal. The lower limit applies at the boundary between the frequency ranges.

Frequency (MHz)	Conducted Limits(dBμV)	
	Quasi-peak	Average
0.15 - 0.5	66 to 56 *	56 to 46 *
0.5 - 5	56	46
5 - 30	60	50

\*: Decreases with the logarithm of the frequency.

#### Measurement Uncertainty

The assessed measurement uncertainty to ensure 95% confidence level for the normal distribution is with the coverage factor  $k = 1.96$ ,  $U = 2.69$  dB.

#### Test Results

Refer to the section 6.4 of this report for test data.



## 6. Test Results

### 6.1. 20dB Bandwidth

#### NFC-A

Carrier frequency (MHz)	99% Bandwidth (kHz)	20dB Bandwidth (kHz)	Conclusion
13.56MHz	22.928	26.89	PASS

#### NFC-B

Carrier frequency (MHz)	99% Bandwidth (kHz)	20dB Bandwidth (kHz)	Conclusion
13.56MHz	22.818	26.87	PASS

#### NFC-F

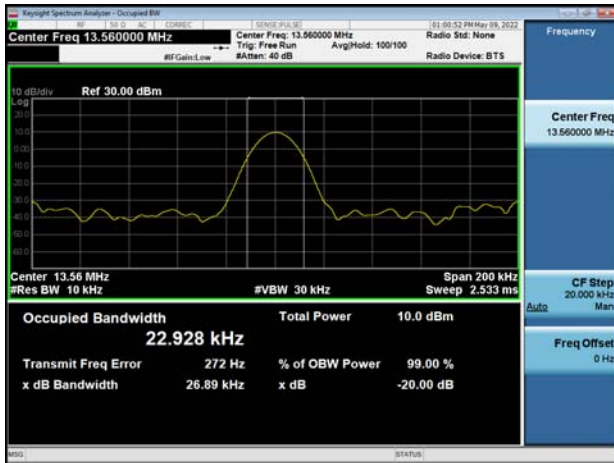
Carrier frequency (MHz)	99% Bandwidth (kHz)	20dB Bandwidth (kHz)	Conclusion
13.56MHz	22.813	26.87	PASS

#### NFC-V

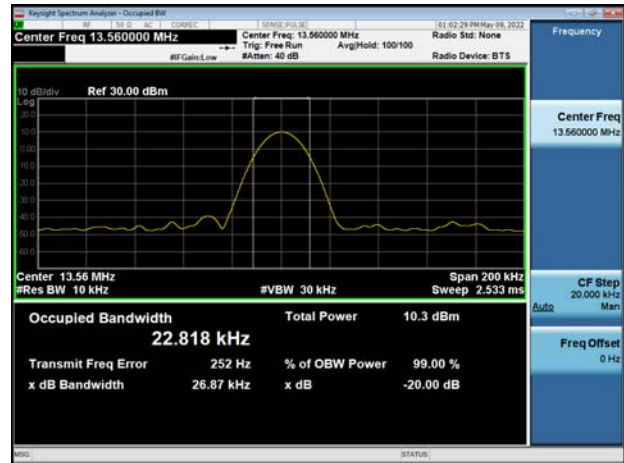
Carrier frequency (MHz)	99% Bandwidth (kHz)	20dB Bandwidth (kHz)	Conclusion
13.56MHz	23.403	26.92	PASS



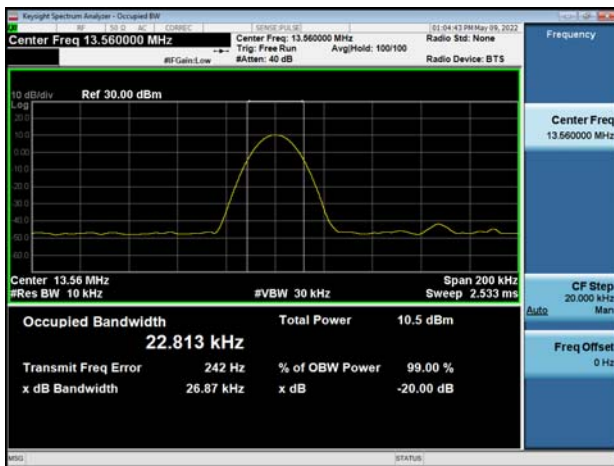
NFC-A



NFC-B



NFC-F



NFC-V





## 6.2. Frequency Stability

### NFC-A

Test status	Frequency				Tolerance (MHz)			
	13.56MHz				1min	2min	5min	10min
	1min	2min	5min	10min				
-20°C/3.89 V	13.559350	13.559342	13.559340	13.559352	0.000650	0.000658	0.000660	0.000648
-10°C/3.89 V	13.559348	13.559337	13.559336	13.559350	0.000652	0.000663	0.000664	0.000650
0°C/3.89 V	13.559342	13.559328	13.559332	13.559341	0.000658	0.000672	0.000668	0.000659
10°C/3.89 V	13.559338	13.559318	13.559332	13.559339	0.000662	0.000682	0.000668	0.000661
20°C/3.89 V	13.559330	13.559314	13.559324	13.559339	0.000670	0.000686	0.000676	0.000661
30°C/3.89 V	13.559322	13.559310	13.559322	13.559336	0.000678	0.000690	0.000678	0.000664
40°C/3.89 V	13.559322	13.559306	13.559314	13.559326	0.000678	0.000694	0.000686	0.000674
50°C/3.89 V	13.559316	13.559302	13.559310	13.559320	0.000684	0.000698	0.000690	0.000680
20°C/3.7 V	13.559307	13.559295	13.559307	13.559318	0.000693	0.000705	0.000693	0.000682
20°C/4.45 V	13.559303	13.559289	13.559306	13.559312	0.000697	0.000711	0.000694	0.000688

Test status	Tolerance (%)				Limit (%)	Conclusion
	1min	2min	5min	10min		
-20°C/3.89 V	0.004796	0.004850	0.004869	0.004779	0.01	PASS
-10°C/3.89 V	0.004805	0.004887	0.004899	0.004796	0.01	PASS
0°C/3.89 V	0.004850	0.004959	0.004923	0.004861	0.01	PASS
10°C/3.89 V	0.004886	0.005031	0.004927	0.004872	0.01	PASS
20°C/3.89 V	0.004938	0.005057	0.004988	0.004877	0.01	PASS
30°C/3.89 V	0.004997	0.005087	0.005001	0.004898	0.01	PASS
40°C/3.89 V	0.005003	0.005116	0.005057	0.004967	0.01	PASS
50°C/3.89 V	0.005043	0.005148	0.005089	0.005014	0.01	PASS
20°C/3.7 V	0.005112	0.005198	0.005110	0.005032	0.01	PASS
20°C/4.45 V	0.005141	0.005241	0.005118	0.005070	0.01	PASS



## NFC-B

Test status	Frequency				Tolerance (MHz)			
	13.56MHz				1min	2min	5min	10min
	1min	2min	5min	10min				
-20°C/3.89 V	13.559345	13.559335	13.559344	13.559346	0.000655	0.000665	0.000656	0.000654
-10°C/3.89 V	13.559338	13.559328	13.559336	13.559338	0.000662	0.000672	0.000664	0.000662
0°C/3.89 V	13.559331	13.559327	13.559326	13.559333	0.000669	0.000673	0.000674	0.000667
10°C/3.89 V	13.559323	13.559319	13.559322	13.559328	0.000677	0.000681	0.000678	0.000672
20°C/3.89 V	13.559316	13.559318	13.559317	13.559322	0.000684	0.000682	0.000683	0.000678
30°C/3.89 V	13.559314	13.559310	13.559308	13.559313	0.000686	0.000690	0.000692	0.000687
40°C/3.89 V	13.559313	13.559309	13.559304	13.559312	0.000687	0.000691	0.000696	0.000688
50°C/3.89 V	13.559307	13.559308	13.559304	13.559303	0.000693	0.000692	0.000696	0.000697
20°C/3.7 V	13.559306	13.559307	13.559304	13.559299	0.000694	0.000693	0.000696	0.000701
20°C/4.45 V	13.559299	13.559298	13.559301	13.559290	0.000701	0.000702	0.000699	0.000710

Test status	Tolerance (%)				Limit(%)	Conclusion
	1min	2min	5min	10min		
-20°C/3.89 V	0.004833	0.004907	0.004836	0.004824	0.01	PASS
-10°C/3.89 V	0.004886	0.004958	0.004900	0.004881	0.01	PASS
0°C/3.89 V	0.004936	0.004962	0.004973	0.004920	0.01	PASS
10°C/3.89 V	0.004992	0.005020	0.005002	0.004954	0.01	PASS
20°C/3.89 V	0.005043	0.005032	0.005035	0.004998	0.01	PASS
30°C/3.89 V	0.005062	0.005088	0.005101	0.005063	0.01	PASS
40°C/3.89 V	0.005065	0.005097	0.005130	0.005077	0.01	PASS
50°C/3.89 V	0.005110	0.005102	0.005130	0.005137	0.01	PASS
20°C/3.7 V	0.005117	0.005113	0.005136	0.005171	0.01	PASS
20°C/4.45 V	0.005170	0.005175	0.005153	0.005232	0.01	PASS



## NFC-F

Test status	Frequency				Tolerance (MHz)			
	13.56MHz				1min	2min	5min	10min
	1min	2min	5min	10min				
-20°C/3.89 V	13.559336	13.559346	13.559340	13.559353	0.000664	0.000654	0.000660	0.000647
-10°C/3.89 V	13.559327	13.559337	13.559332	13.559345	0.000673	0.000663	0.000668	0.000655
0°C/3.89 V	13.559320	13.559331	13.559326	13.559344	0.000680	0.000669	0.000674	0.000656
10°C/3.89 V	13.559313	13.559331	13.559317	13.559339	0.000687	0.000669	0.000683	0.000661
20°C/3.89 V	13.559306	13.559325	13.559310	13.559337	0.000694	0.000675	0.000690	0.000663
30°C/3.89 V	13.559306	13.559317	13.559301	13.559337	0.000694	0.000683	0.000699	0.000663
40°C/3.89 V	13.559305	13.559309	13.559299	13.559337	0.000695	0.000691	0.000701	0.000663
50°C/3.89 V	13.559302	13.559305	13.559294	13.559331	0.000698	0.000695	0.000706	0.000669
20°C/3.7 V	13.559293	13.559297	13.559286	13.559329	0.000707	0.000703	0.000714	0.000671
20°C/4.45 V	13.559288	13.559291	13.559278	13.559322	0.000712	0.000709	0.000722	0.000678

Test status	Tolerance (%)				Limit(%)	Conclusion
	1min	2min	5min	10min		
-20°C/3.89 V	0.004896	0.004826	0.004870	0.004773	0.01	PASS
-10°C/3.89 V	0.004960	0.004889	0.004928	0.004830	0.01	PASS
0°C/3.89 V	0.005012	0.004932	0.004974	0.004835	0.01	PASS
10°C/3.89 V	0.005067	0.004937	0.005035	0.004873	0.01	PASS
20°C/3.89 V	0.005117	0.004976	0.005085	0.004887	0.01	PASS
30°C/3.89 V	0.005118	0.005040	0.005157	0.004888	0.01	PASS
40°C/3.89 V	0.005125	0.005097	0.005168	0.004892	0.01	PASS
50°C/3.89 V	0.005151	0.005125	0.005210	0.004937	0.01	PASS
20°C/3.7 V	0.005212	0.005185	0.005263	0.004948	0.01	PASS
20°C/4.45 V	0.005250	0.005227	0.005321	0.005003	0.01	PASS



## NFC-V

Test status	Frequency				Tolerance (MHz)			
	13.56MHz				1min	2min	5min	10min
	1min	2min	5min	10min				
-20°C/3.89 V	13.559345	13.559340	13.559343	13.559338	0.000655	0.000660	0.000657	0.000662
-10°C/3.89 V	13.559340	13.559340	13.559337	13.559328	0.000660	0.000660	0.000663	0.000672
0°C/3.89 V	13.559334	13.559330	13.559332	13.559318	0.000666	0.000670	0.000668	0.000682
10°C/3.89 V	13.559333	13.559329	13.559323	13.559317	0.000667	0.000671	0.000677	0.000683
20°C/3.89 V	13.559333	13.559320	13.559314	13.559311	0.000667	0.000680	0.000686	0.000689
30°C/3.89 V	13.559332	13.559316	13.559311	13.559303	0.000668	0.000684	0.000689	0.000697
40°C/3.89 V	13.559324	13.559315	13.559305	13.559295	0.000676	0.000685	0.000695	0.000705
50°C/3.89 V	13.559321	13.559307	13.559297	13.559293	0.000679	0.000693	0.000703	0.000707
20°C/3.7 V	13.559311	13.559304	13.559291	13.559290	0.000689	0.000696	0.000709	0.000710
20°C/4.45 V	13.559310	13.559298	13.559284	13.559285	0.000690	0.000702	0.000716	0.000715

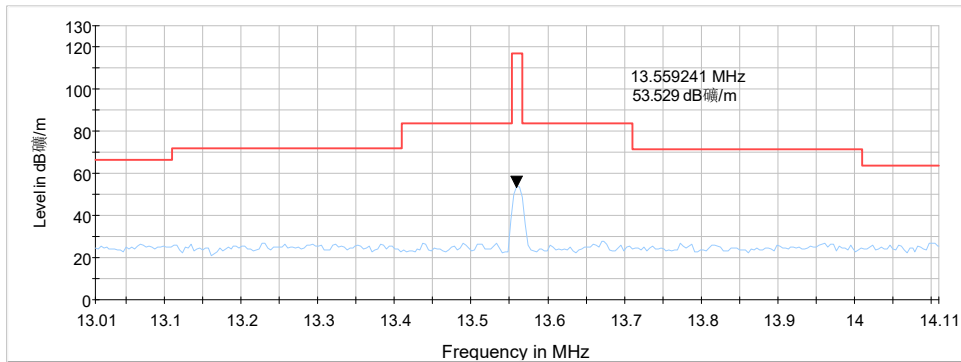
Test status	Tolerance (%)				Limit(%)	Conclusion
	1min	2min	5min	10min		
-20°C/3.89 V	0.004828	0.004866	0.004846	0.004880	0.01	PASS
-10°C/3.89 V	0.004864	0.004869	0.004891	0.004954	0.01	PASS
0°C/3.89 V	0.004913	0.004939	0.004923	0.005027	0.01	PASS
10°C/3.89 V	0.004919	0.004952	0.004994	0.005037	0.01	PASS
20°C/3.89 V	0.004921	0.005012	0.005058	0.005084	0.01	PASS
30°C/3.89 V	0.004927	0.005047	0.005079	0.005139	0.01	PASS
40°C/3.89 V	0.004985	0.005050	0.005123	0.005197	0.01	PASS
50°C/3.89 V	0.005008	0.005110	0.005181	0.005212	0.01	PASS
20°C/3.7 V	0.005082	0.005131	0.005230	0.005237	0.01	PASS
20°C/4.45 V	0.005090	0.005177	0.005280	0.005275	0.01	PASS

### 6.3. Radiates Emission

The test is in transmitting all mode, NFC-A was selected as the worst condition. The test data of the worst-case condition was recorded in this report.

A font ( dB $\mu$ V/m ) in the test plot =( dB  $\mu$  V/m)

#### In-band



Radiates Emission from 13.11MHz to 14.01MHz

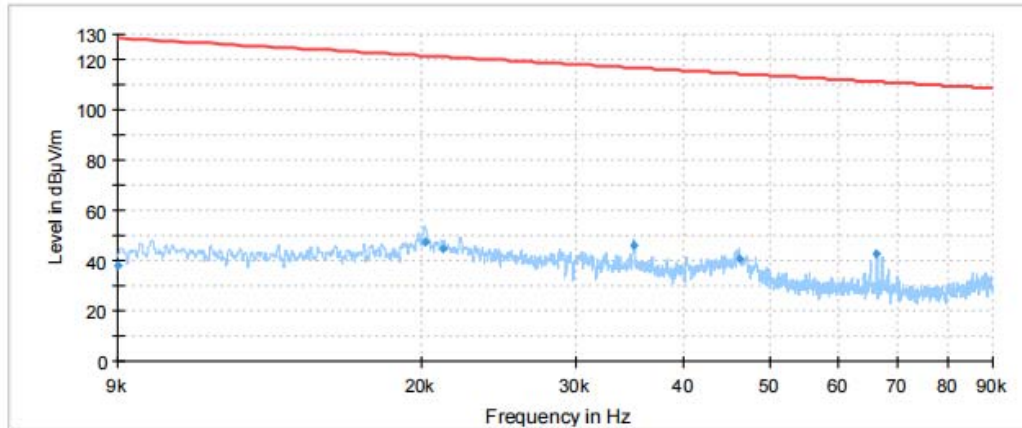
Note: This graph displays the maximum values of horizontal and vertical by software

**Out-of-band**

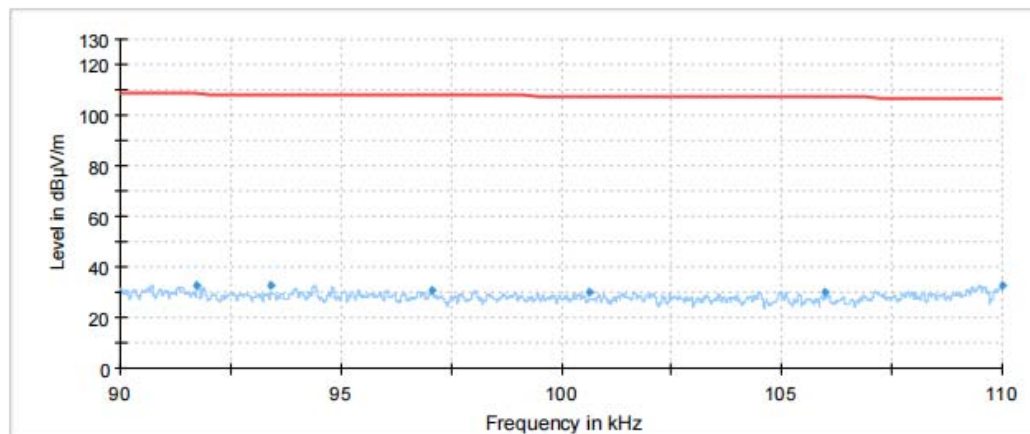
The test is in transmitting all mode, NFC-A was selected as the worst condition. The test data of the worst-case condition was recorded in this report.

The following graphs display the maximum values of horizontal and vertical by software.

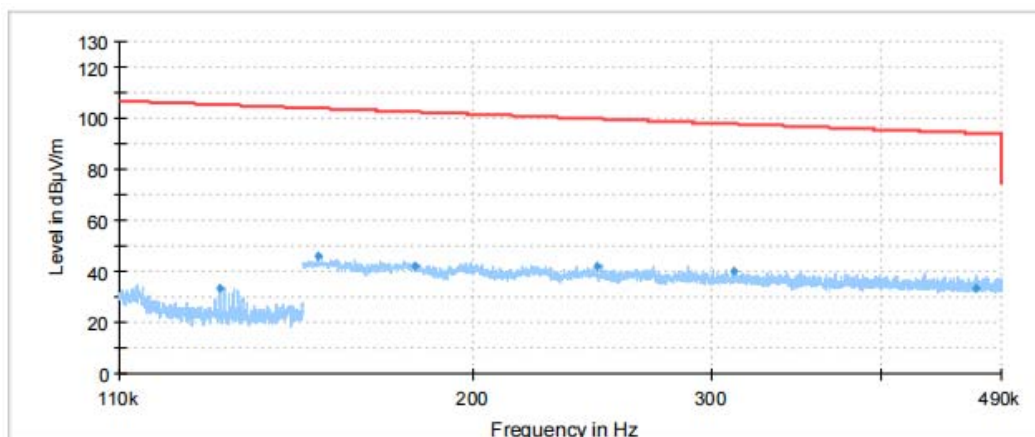
For above 1GHz, Blue trace uses the peak detection, Green trace uses the average detection.



Radiates Emission from 9kHz to 90kHz

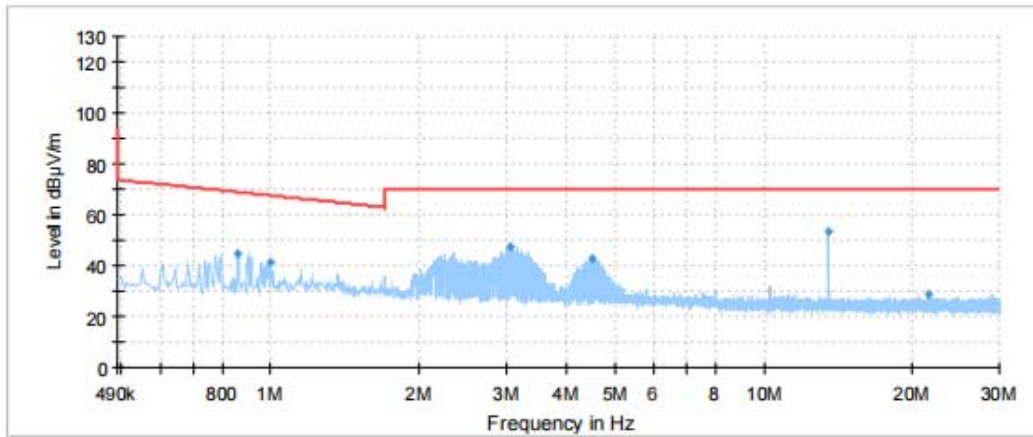


Radiates Emission from 90kHz to 110kHz

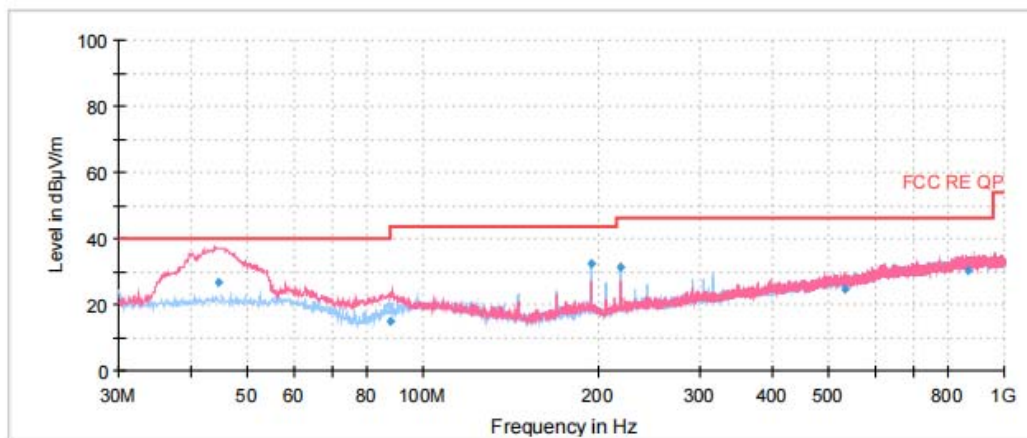


Radiates Emission from 110kHz to 490kHz





Radiates Emission from 490kHz to 30MHz



Radiates Emission from 30MHz to 1GHz

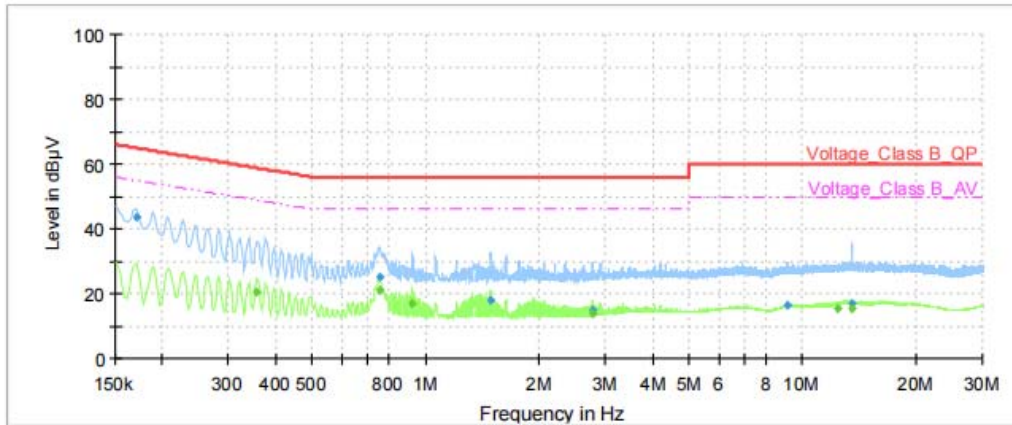
Note: This graph displays the maximum values of horizontal and vertical by software

Frequency (MHz)	Quasi-Peak (dBuV/m)	Height (cm)	Polarization	Azimuth (deg)	Correct Factor (dB)	Margin (dB)	Limit (dBuV/m)
44.54	26.49	105.0	V	199.00	14	13.51	40.00
88.12	14.88	105.0	V	276.00	10	28.62	43.50
194.50	32.25	125.0	H	267.00	12	11.25	43.50
218.83	31.29	125.0	H	269.00	13	14.71	46.00
533.23	24.43	325.0	V	260.00	20	21.57	46.00
863.47	30.27	125.0	V	270.00	24	15.74	46.00

### 6.4. Conducted Emission

The test is in transmitting all mode, NFC-A was selected as the worst condition. The test data of the worst-case condition was recorded in this report.

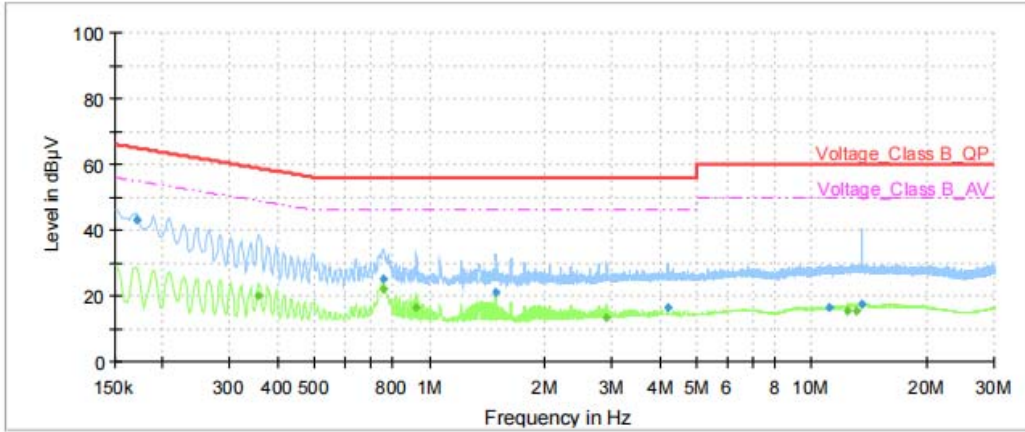
Following plots, Blue trace uses the peak detection and Green trace uses the average detection.



Frequency (MHz)	QuasiPeak (dBµV)	Average (dBµV)	Limit (dBµV)	Margin (dB)	Meas. Time (ms)	Bandwidth (kHz)	Line	Filter	Corr. (dB)
0.17	43.68	---	64.95	21.27	1000.00	9.000	L1	ON	21
0.36	---	20.57	48.80	28.23	1000.00	9.000	L1	ON	21
0.75	24.93	---	56.00	31.07	1000.00	9.000	L1	ON	20
0.75	---	21.26	46.00	24.74	1000.00	9.000	L1	ON	20
0.92	---	17.16	46.00	28.84	1000.00	9.000	L1	ON	20
1.49	17.99	---	56.00	38.01	1000.00	9.000	L1	ON	20
2.77	14.73	---	56.00	41.27	1000.00	9.000	L1	ON	19
2.77	---	13.98	46.00	32.02	1000.00	9.000	L1	ON	19
9.12	16.31	---	60.00	43.69	1000.00	9.000	L1	ON	20
12.39	---	15.31	50.00	34.69	1000.00	9.000	L1	ON	20
13.56	---	15.63	50.00	34.37	1000.00	9.000	L1	ON	20
13.56	16.95	---	60.00	43.05	1000.00	9.000	L1	ON	20

**Remark: Correct factor=cable loss + LISN factor**

L line Conducted Emission from 150 KHz to 30 MHz



Frequency (MHz)	QuasiPeak (dBµV)	Average (dBµV)	Limit (dBµV)	Margin (dB)	Meas. Time (ms)	Bandwidth (kHz)	Line	Filter	Corr. (dB)
0.17	43.08	---	64.95	21.87	1000.00	9.000	N	ON	21
0.36	---	20.06	48.80	28.74	1000.00	9.000	N	ON	21
0.76	25.06	---	56.00	30.94	1000.00	9.000	N	ON	20
0.76	---	22.10	46.00	23.90	1000.00	9.000	N	ON	20
0.92	---	16.32	46.00	29.68	1000.00	9.000	N	ON	20
1.49	20.80	---	56.00	35.20	1000.00	9.000	N	ON	20
2.91	---	13.56	46.00	32.44	1000.00	9.000	N	ON	19
4.19	16.24	---	56.00	39.76	1000.00	9.000	N	ON	19
11.08	16.47	---	60.00	43.53	1000.00	9.000	N	ON	20
12.38	---	15.28	50.00	34.72	1000.00	9.000	N	ON	20
13.13	---	15.45	50.00	34.55	1000.00	9.000	N	ON	20
13.56	17.41	---	60.00	42.59	1000.00	9.000	N	ON	20

**Remark: Correct factor=cable loss + LISN factor**

N line Conducted Emission from 150 KHz to 30 MHz



## 7. Main Test Instruments ---

Name	Manufacturer	Type	Serial Number	Calibration Date	Expiration Time
Spectrum Analyzer	Agilent	N9010A	MY47191109	2021-05-15	2022-05-14
Signal Generator	KEYSIGHT	N5171B	MY53051706	2021-05-15	2022-05-14
Loop Antenna	SCHWARZBECK	FMZB1519	1519-047	2020-04-02	2023-04-01
TRILOG Broadband Antenna	SCHWARZBECK	VULB 9163	391	2019-12-16	2022-12-15
Software	R&S	EMC32	10.35.10	/	/

\*\*\*\*\*END OF REPORT \*\*\*\*\*



## **ANNEX A: The EUT Appearance**

The EUT Appearance is submitted separately.



## **ANNEX B: Test Setup Photos**

The Test Setup Photos is submitted separately.