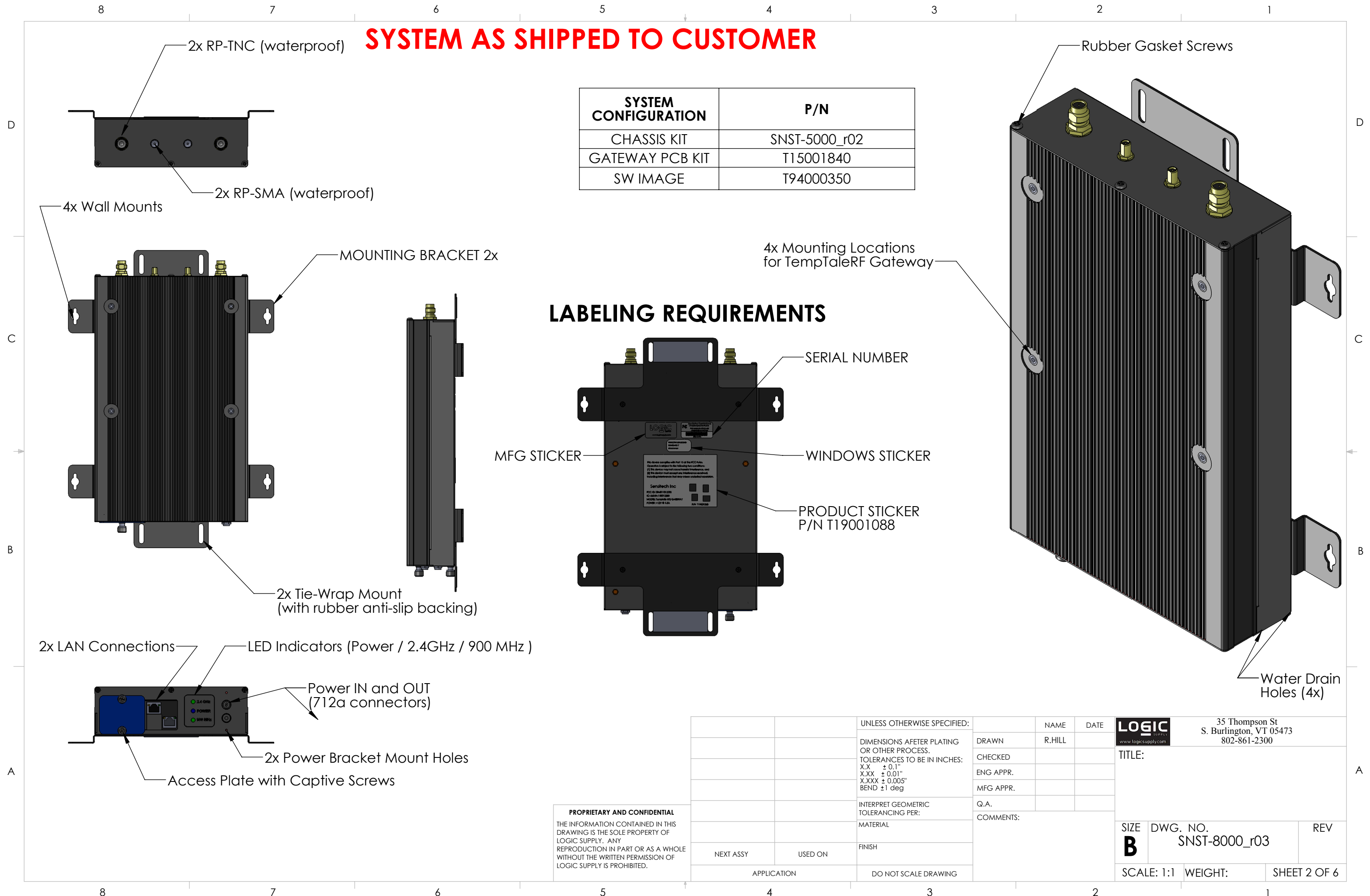
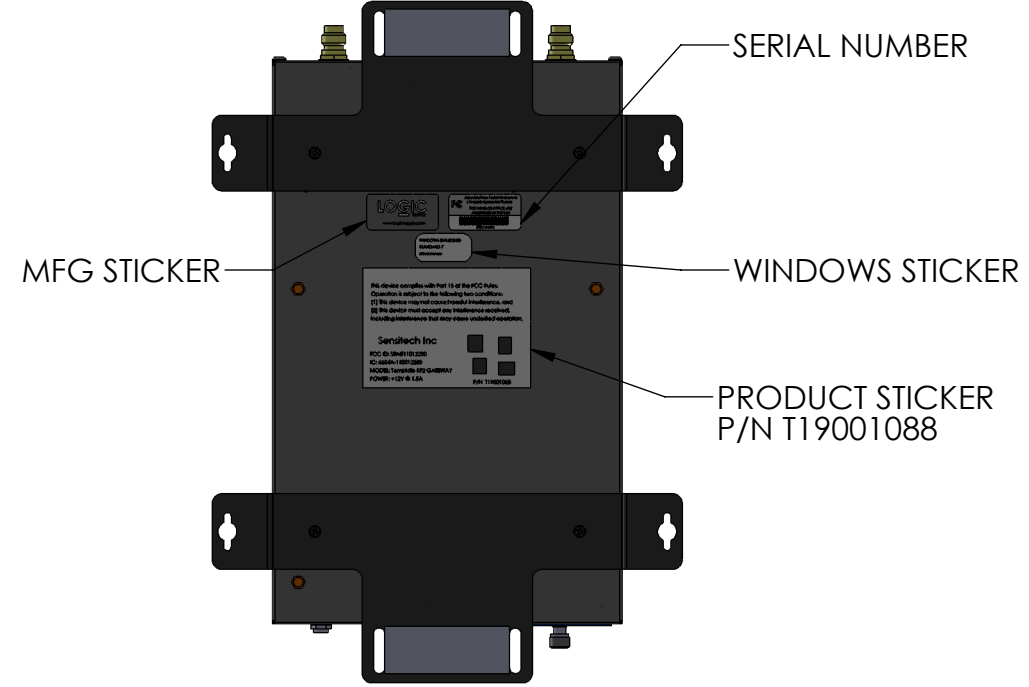


# SYSTEM AS SHIPPED TO CUSTOMER




SYSTEM CONFIGURATION	P/N
CHASSIS KIT	SNST-5000_r02
GATEWAY PCB KIT	T15001840
SW IMAGE	T94000350

## LABELING REQUIREMENTS



**PROPRIETARY AND CONFIDENTIAL**  
 THE INFORMATION CONTAINED IN THIS DRAWING IS THE SOLE PROPERTY OF LOGIC SUPPLY. ANY REPRODUCTION IN PART OR AS A WHOLE WITHOUT THE WRITTEN PERMISSION OF LOGIC SUPPLY IS PROHIBITED.

UNLESS OTHERWISE SPECIFIED:		NAME	DATE	 35 Thompson St S. Burlington, VT 05473 802-861-2300
DIMENSIONS AFTER PLATING OR OTHER PROCESS. TOLERANCES TO BE IN INCHES: X.X ± 0.1" X.XX ± 0.01" X.XXX ± 0.005" BEND ± 1 deg		DRAWN	R.HILL	
INTERPRET GEOMETRIC TOLERANCING PER:		CHECKED		TITLE:
MATERIAL		ENG APPR.		SIZE <b>B</b> DWG. NO. SNST-8000_r03 REV
FINISH		MFG APPR.		
NEXT ASSY	USED ON	Q.A.		SCALE: 1:1 WEIGHT: SHEET 2 OF 6
APPLICATION		COMMENTS:		
DO NOT SCALE DRAWING				