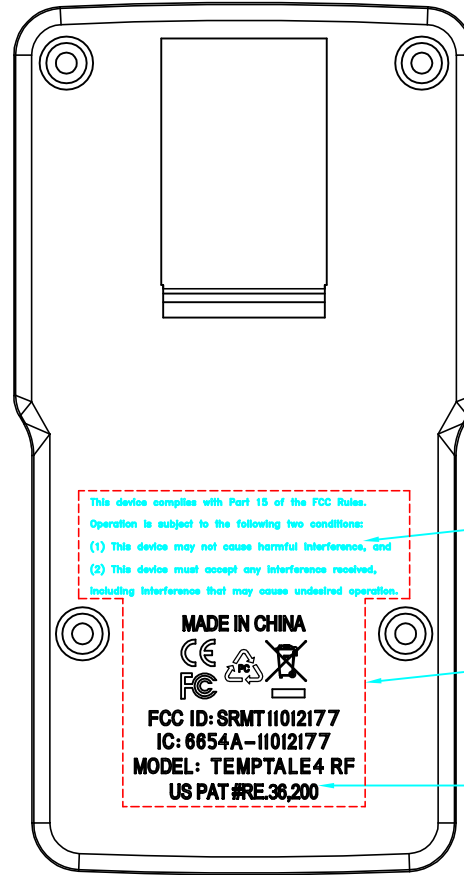
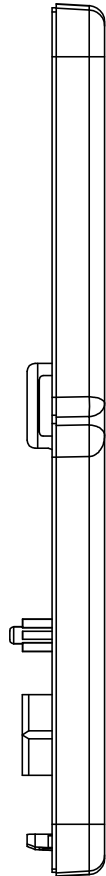
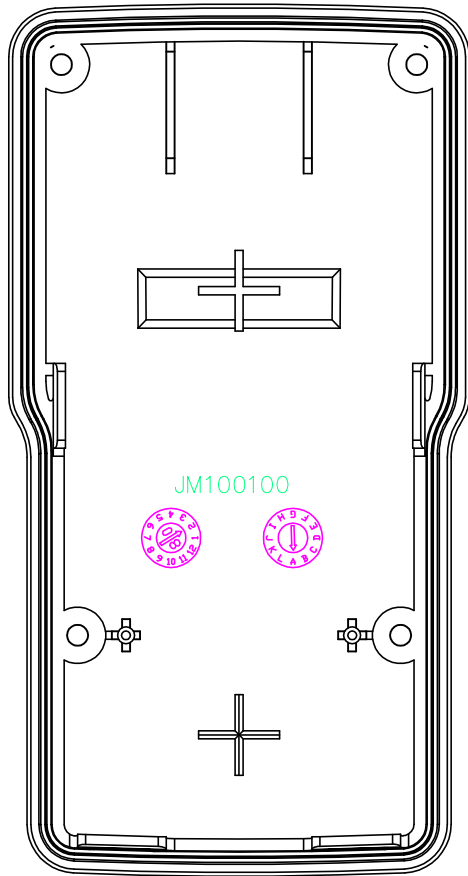


FCC ID LABEL SAMPLE AND LOCATION INFORMATION
SENSITCH TEMPTALE 4 RF MODEL T11012177



This device complies with Part 15 of the FCC Rules.
Operation is subject to the following two conditions:
(1) This device may not cause harmful interference, and
(2) This device must accept any interference received,
including interference that may cause undesired operation.

words high=0.2mm

MADE IN CHINA
CE
FC
♻️
♻️

broken line area depth=0.3mm

FCC ID: SRMT11012177
IC: 6654A-11012177
MODEL: TEMPTALE4 RF
US PAT #RE.36,200

A5

words high=0.2mm

REAR HOUSING