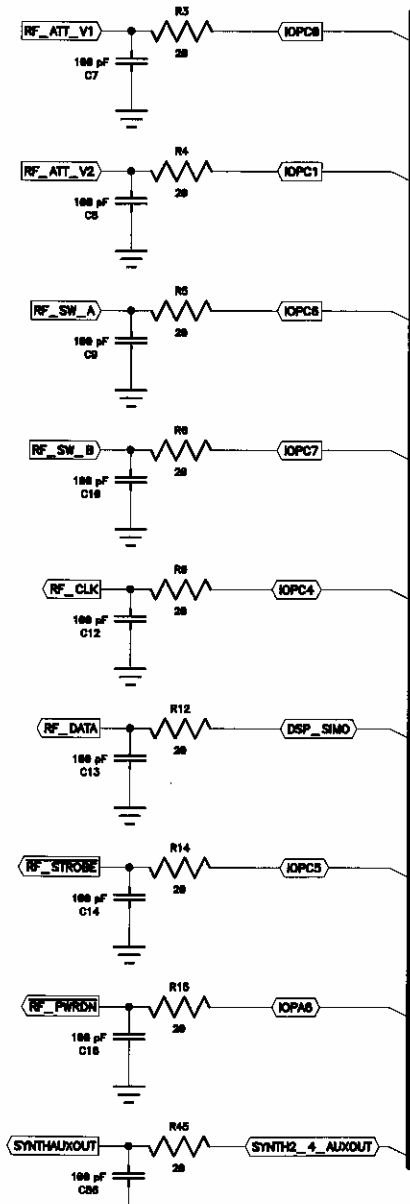
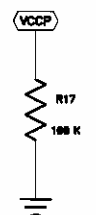


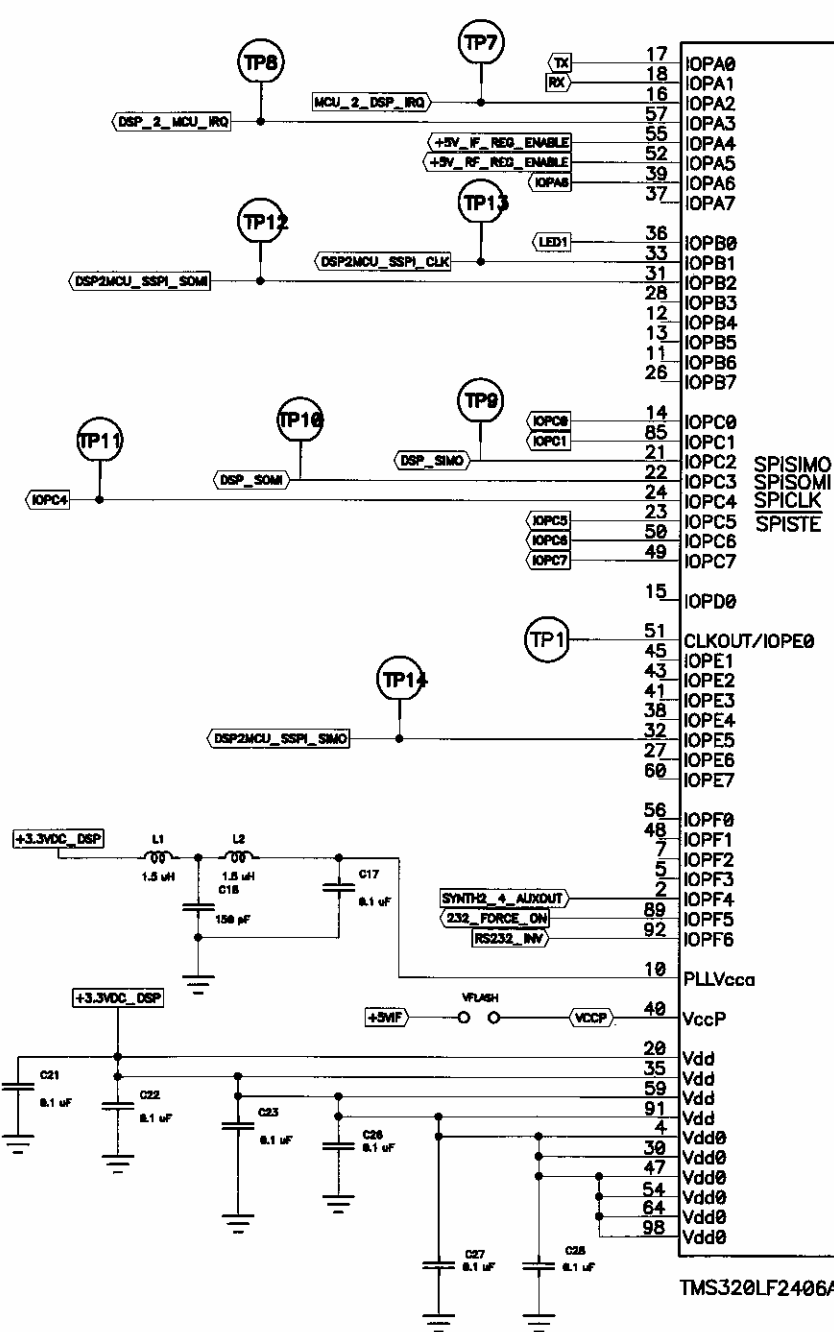
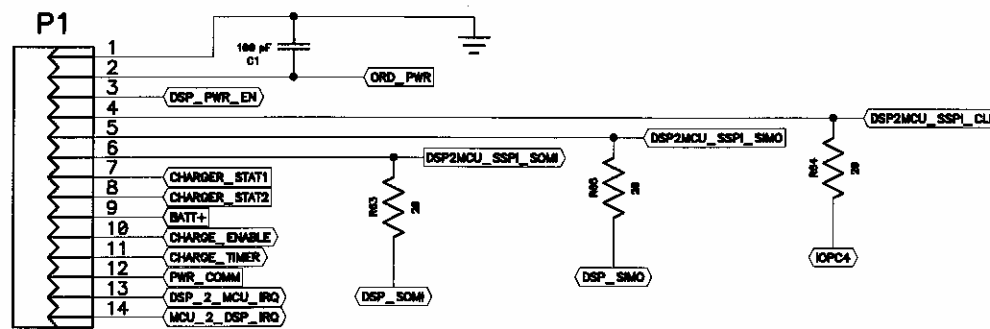
### RF CONTROL INTERFACE



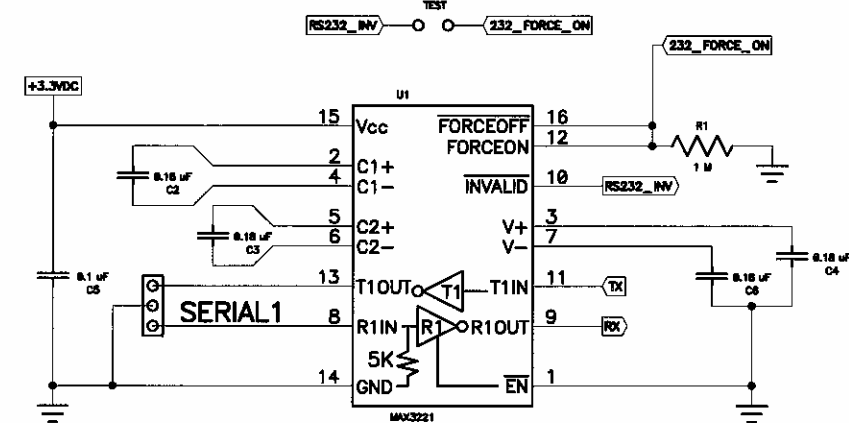
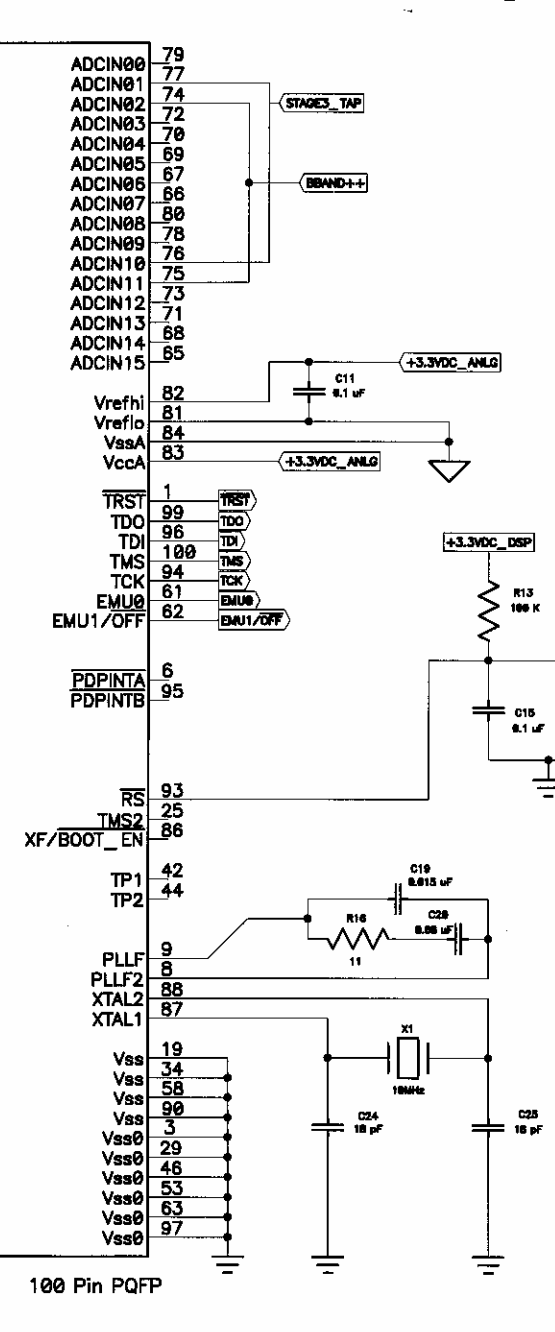
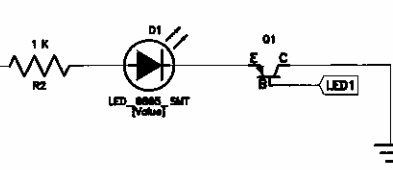
### Flash Pgm Pin Puldwn



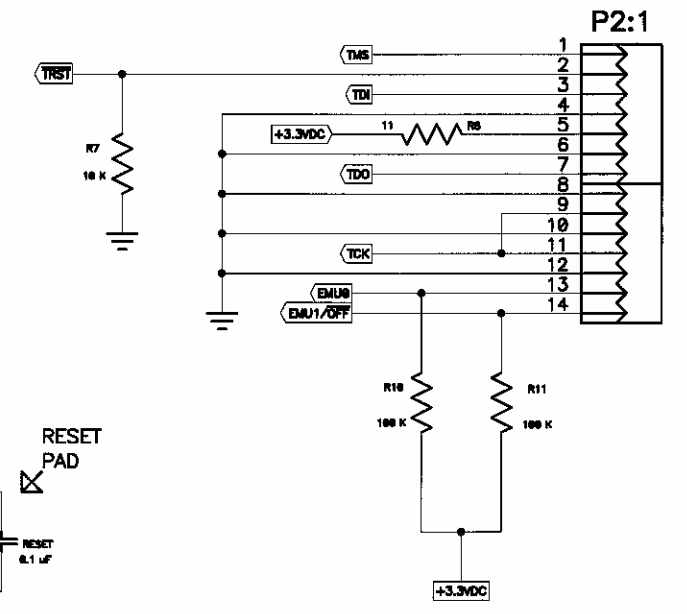
### MCU CONTROL INTERFACE



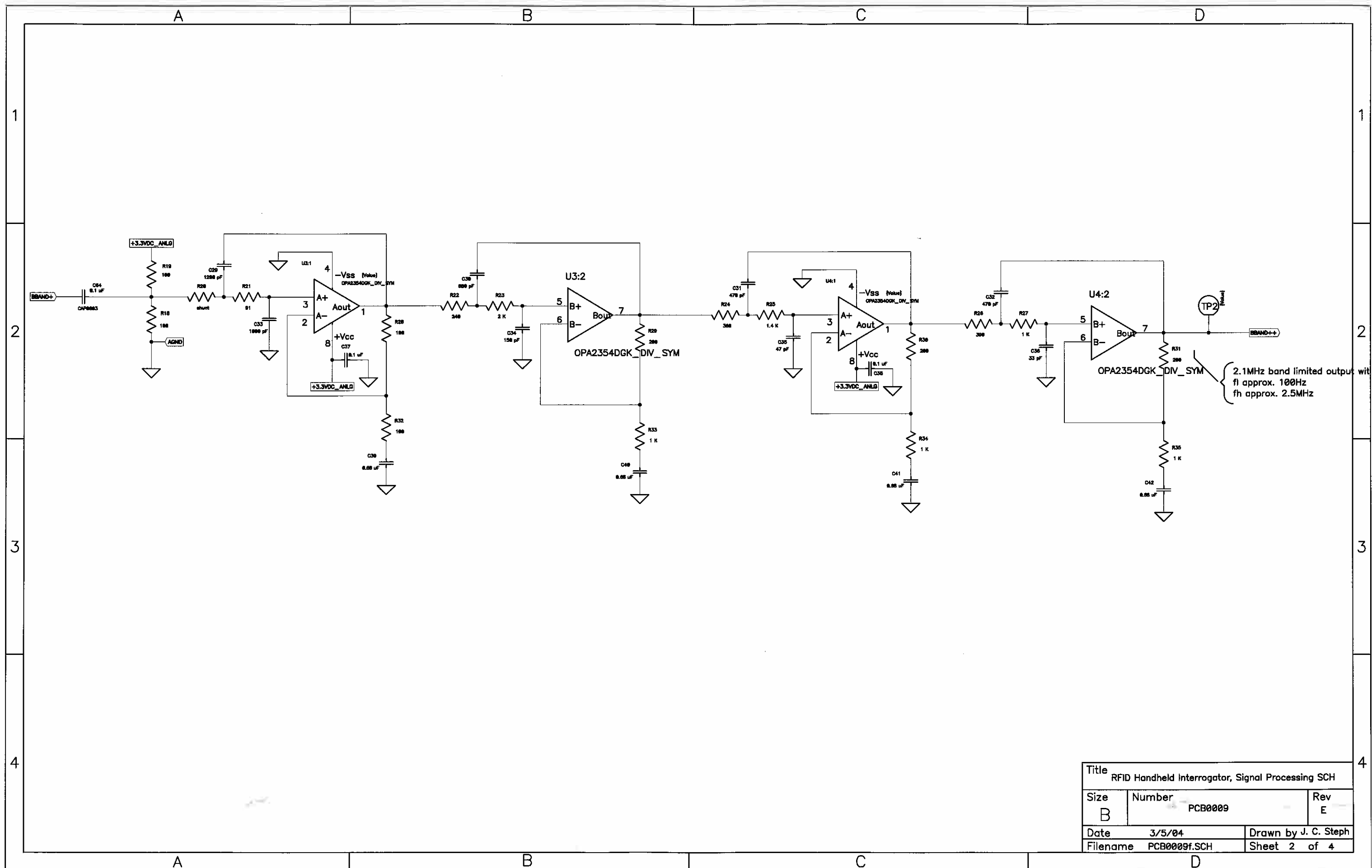
TMS320LF2406A 100 Pin PQFP



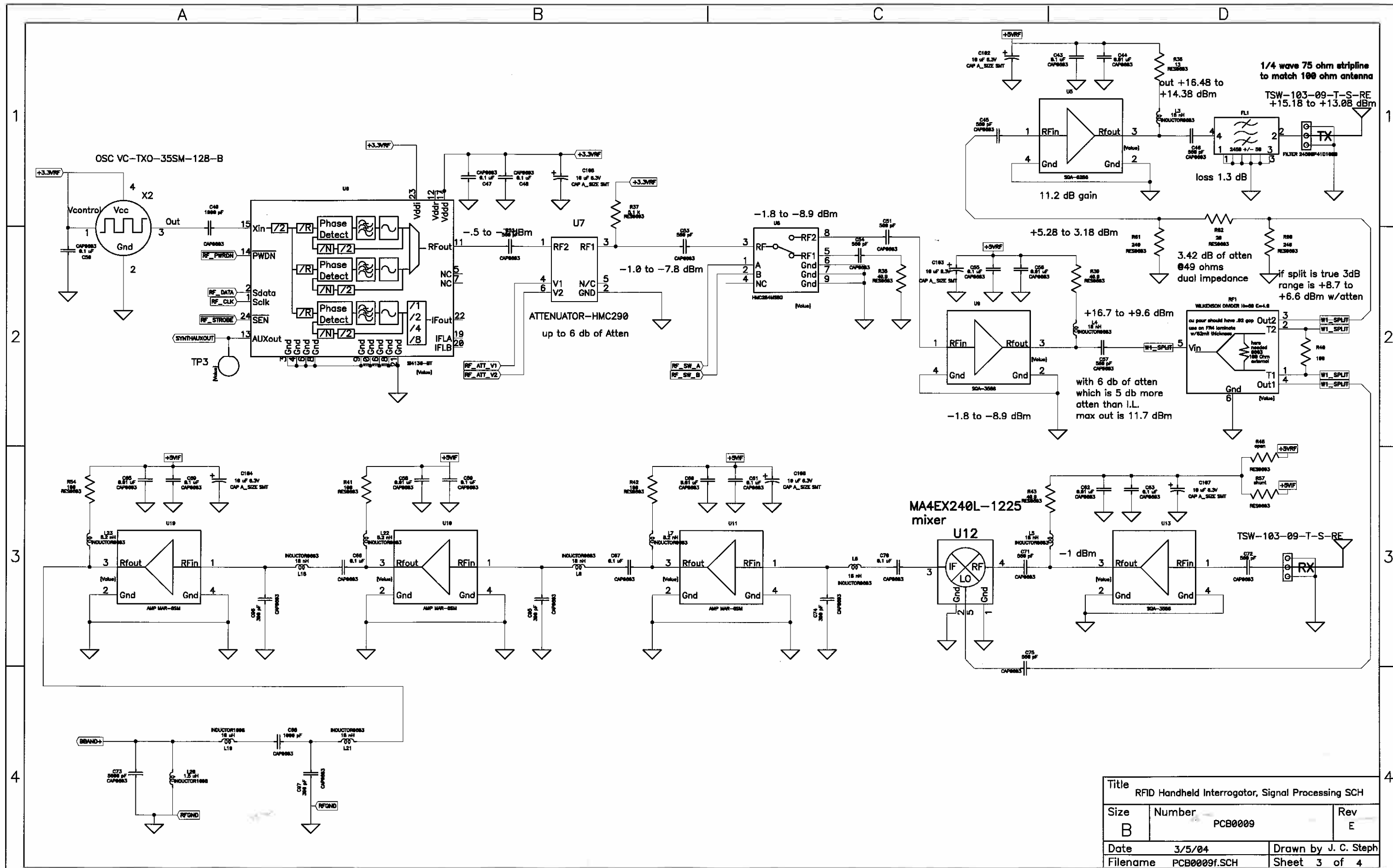
### JTAG HEADER



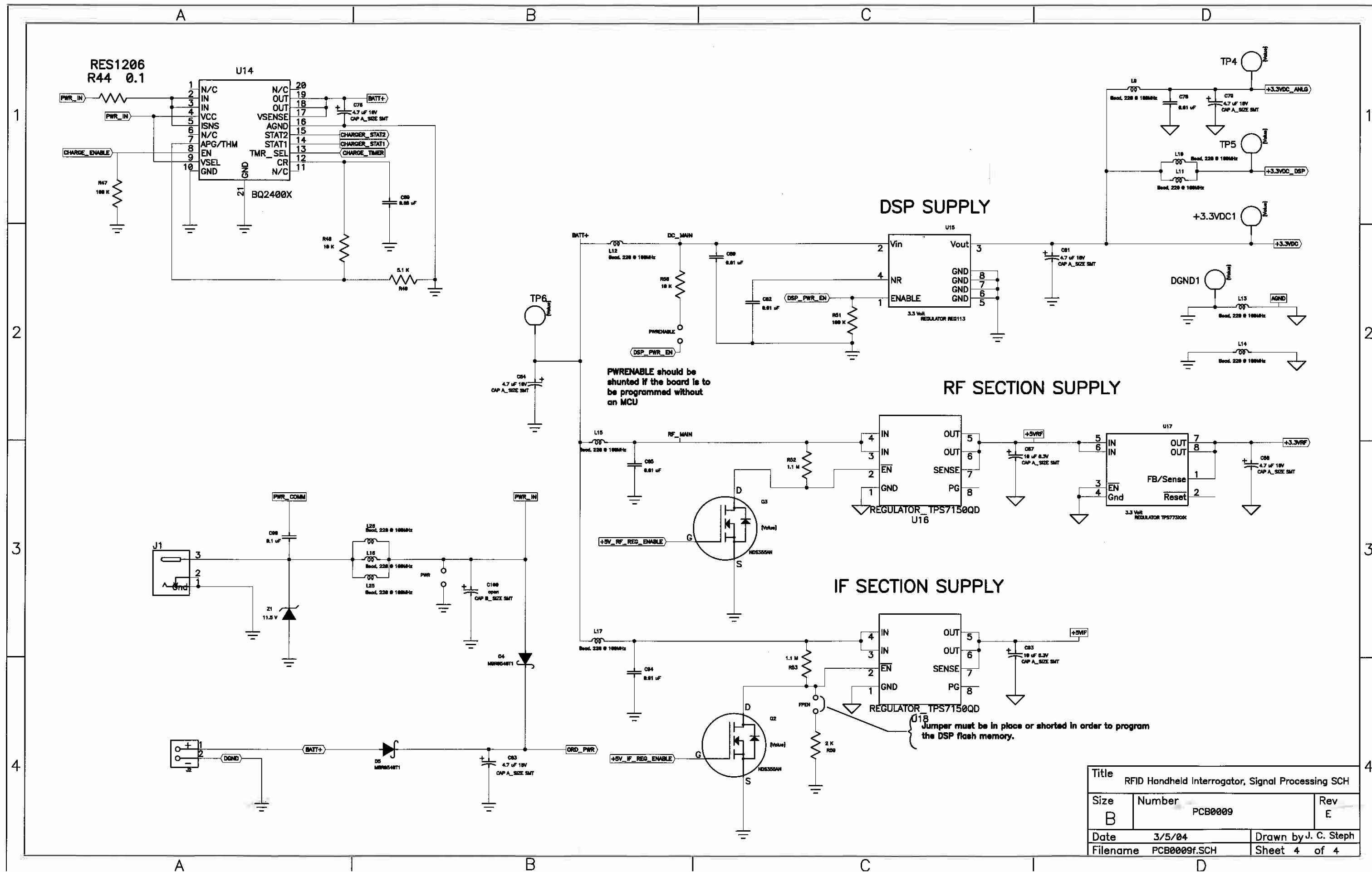
Title RFID Handheld Interrogator, Signal Processing SCH		
Size B	Number PCB0009	Rev E
Date 3/5/04	Drawn by J. C. Steph	
Filename PCB0009f.SCH	Sheet 1 of 4	



Title		
RFID Handheld Interrogator, Signal Processing SCH		
Size	Number	Rev
B	PCB0009	E
Date	3/5/04	Drawn by J. C. Steph
Filename	PCB0009f.SCH	Sheet 2 of 4



Title		
RFID Handheld Interrogator, Signal Processing SCH		
Size	Number	Rev
B	PCB0009	E
Date	3/5/04	Drawn by J. C. Steph
Filename	PCB0009f.SCH	Sheet 3 of 4



Title			RFID Handheld Interrogator, Signal Processing SCH		
Size	Number	Rev			
B	PCB0009	E			
Date	3/5/04	Drawn by	J. C. Steph		
Filename	PCB0009f.SCH	Sheet	4 of 4		