

## **ATTACHMENT H.**

### **- OPERATION DESCRIPTION**

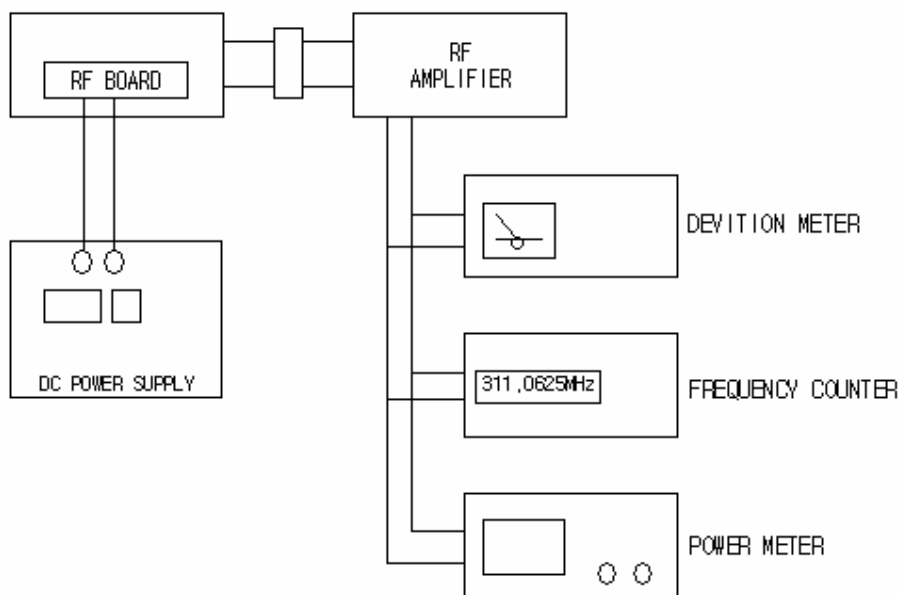
## Control method

### 1. Measurement equipment

- a. Frequency Counter
- b. DC Power Supply
- c. Spectrum Analyzer
- d. Devition Meter
- e. FF Transmitter Jig
- f. FF Amplifier

### 2. Measurement method

#### a. Equipment connection



< Measurement equipment connection >

- ▣ Must do condenser coupling(2pF) between end and cable of product in measurement equipment connection.

## Equipment operational mode

1. Emergency remote control button - press on the transmit button over 0.5 sec  
If you press on the transmit button, the phone automatically turn 'ON' by the signal emission while blinking transmitter INDICATOR.  
It would transmit the Message according to the memorial phone number by calling.
2. LED ( pilot lamp)  
It would be checked by the lighting whenever transmitted.