

6

5

4

3

2

1

D

D

C

C

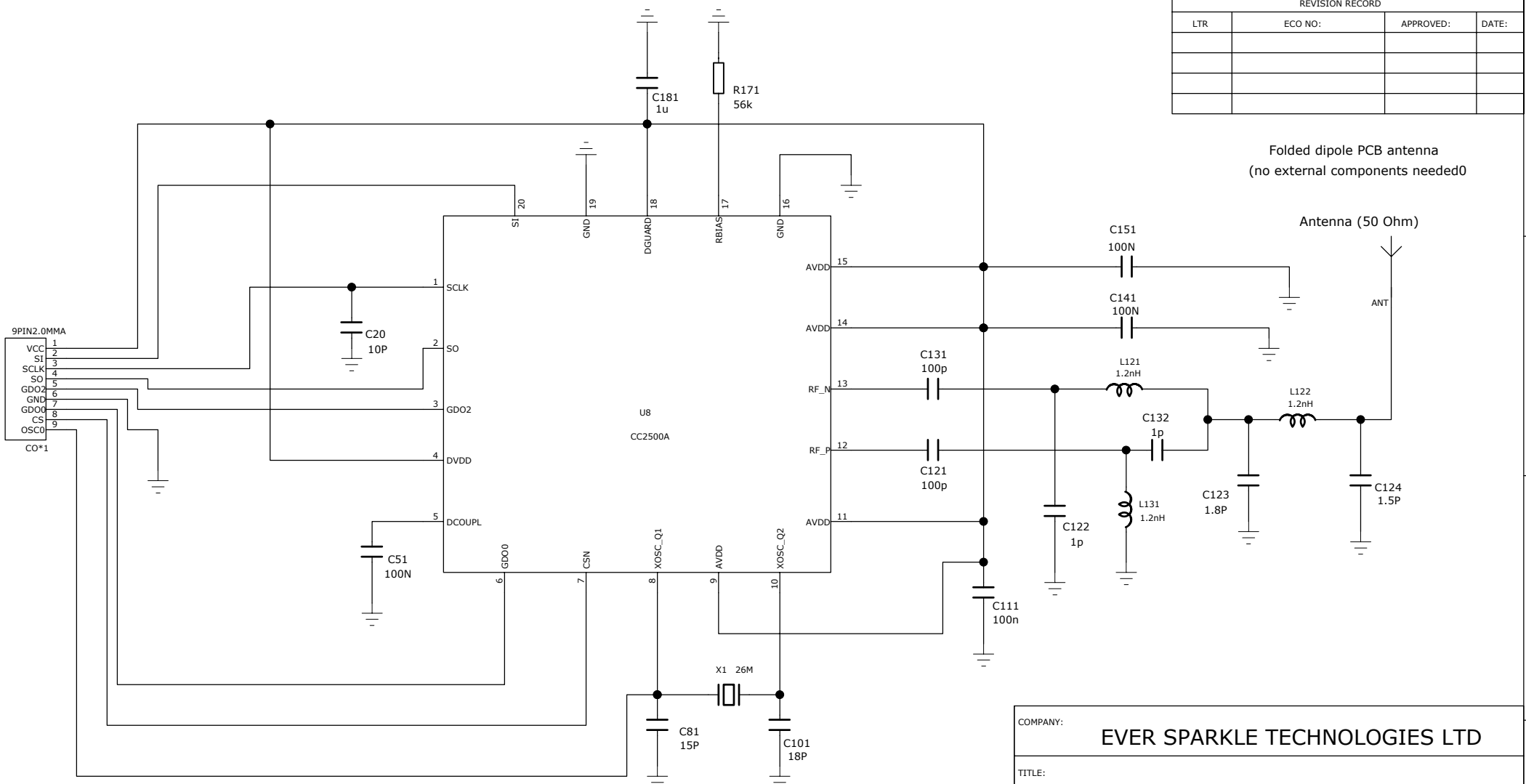
B

B

A

A

REVISION RECORD			
LTR	ECO NO:	APPROVED:	DATE:



Folded dipole PCB antenna
(no external components needed)

Antenna (50 Ohm)

COMPANY:			
EVER SPARKLE TECHNOLOGIES LTD			
TITLE:			
RF-MODEL 2.4GHZ			
CODE:	SIZE:	DRAWING NO:	REV:
<Code>	B	ps3-003	a
SCALE: <Scale>			SHEET: 6 of 6

DRAWN:	DATED:
hanson	08-16
CHECKED:	DATED:
QUALITY CONTROL:	DATED:
RELEASED:	DATED: