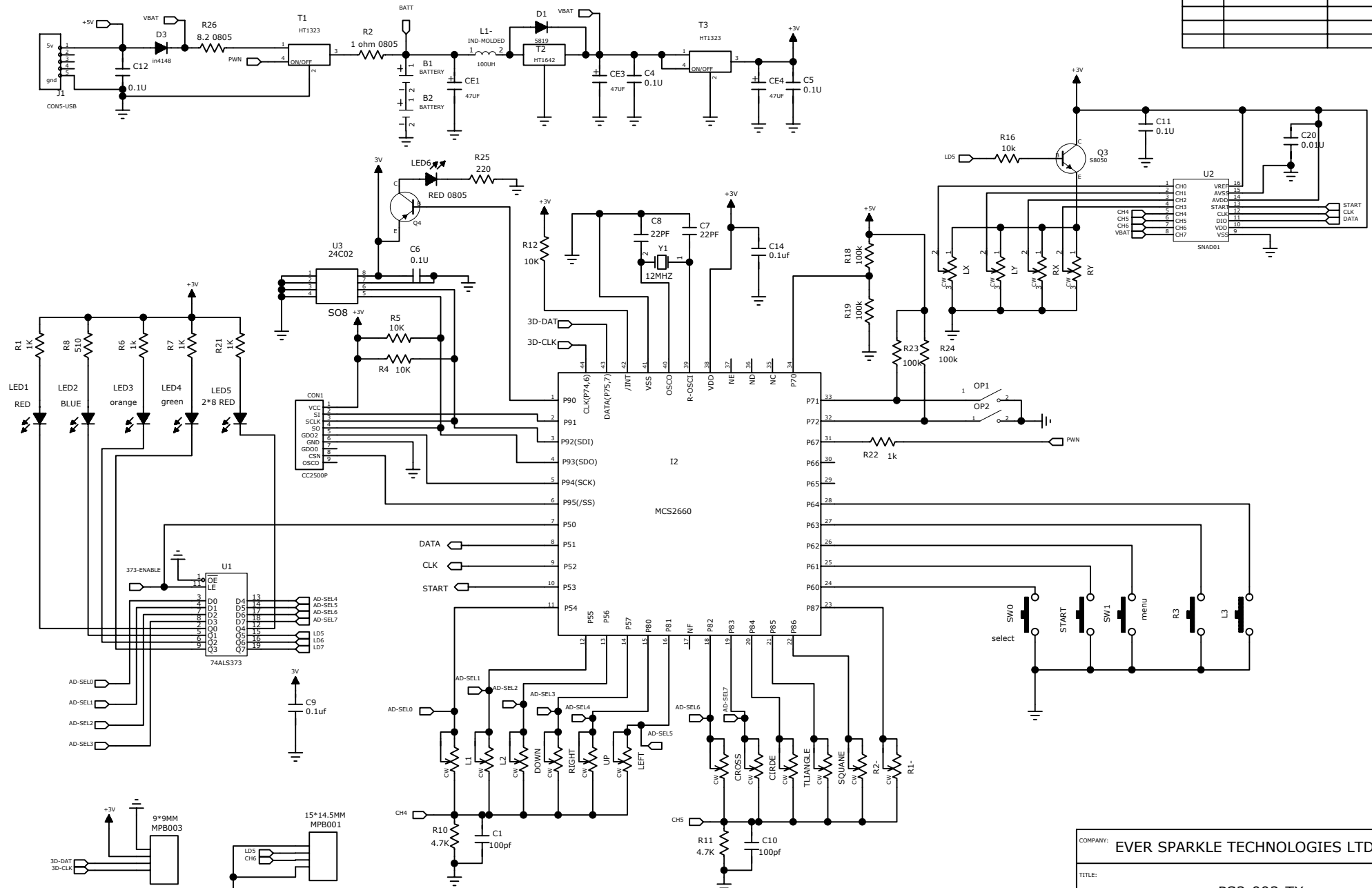


REVISION RECORD			
LTR	ECO NO:	APPROVED:	DATE:



COMPANY: EVER SPARKLE TECHNOLOGIES LTD

TITLE: PS3-003-TX

DRAWN: HANSON	DATED: 07-06-30
CHECKED:	DATED:
QUALITY CONTROL:	DATED:
RELEASED:	DATED:

CODE:	SIZE: A2	DRAWING NO:	REV: 1
SCALE: <Scale>		SHEET: 1F 1	

D

C

B

A

D

C

B

A