

6 5 4 3 2 1

D

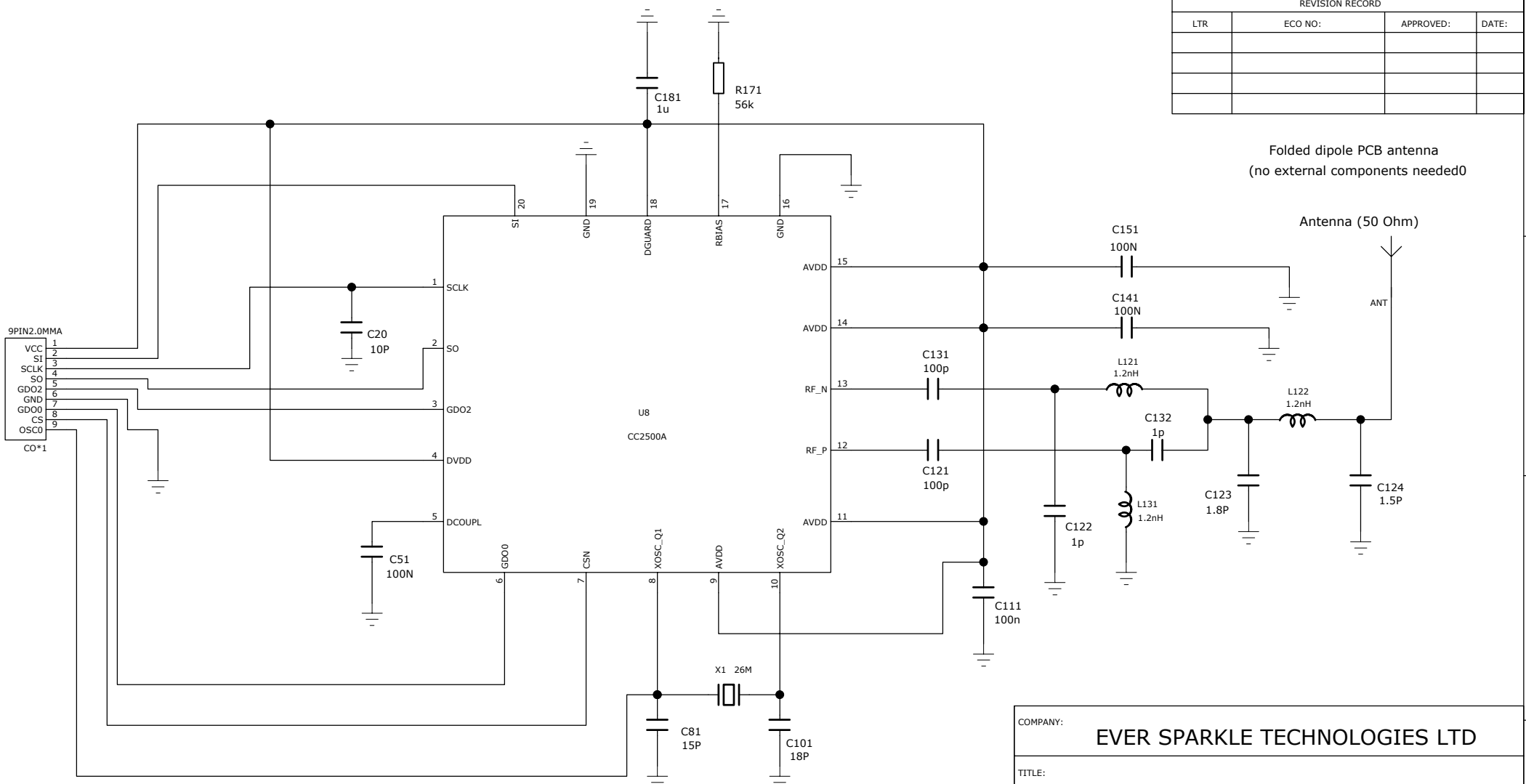
C

B

A

REVISION RECORD			
LTR	ECO NO:	APPROVED:	DATE:

Folded dipole PCB antenna  
(no external components needed)



COMPANY: EVER SPARKLE TECHNOLOGIES LTD			
TITLE: RF-MODEL 2.4GHZ			
CODE:	SIZE:	DRAWING NO:	REV:
<Code>	B		a
SCALE: <Scale>			SHEET: 6 of 6

DRAWN:	hanson	DATED:	08-16
CHECKED:		DATED:	
QUALITY CONTROL:		DATED:	
RELEASED:		DATED:	