

6

5

4

3

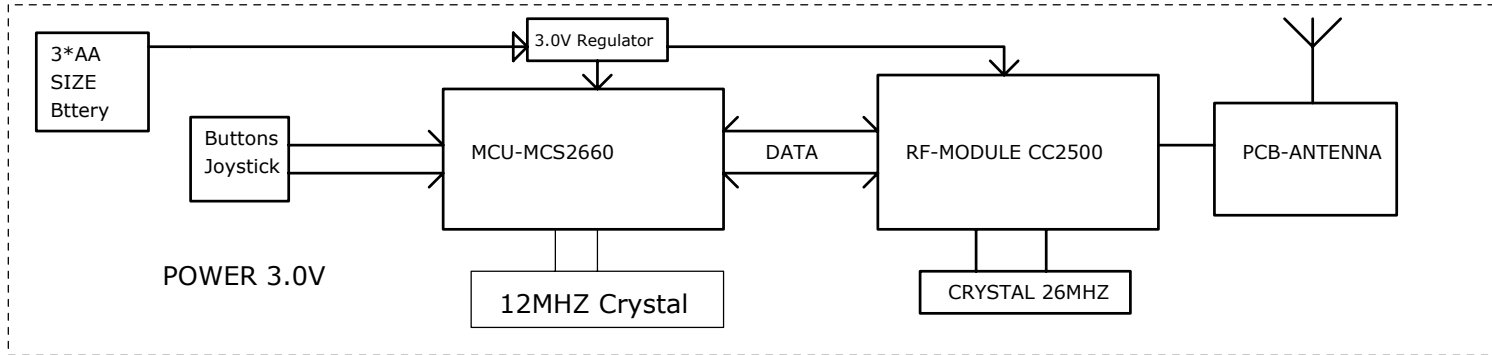
2

1

REVISION RECORD

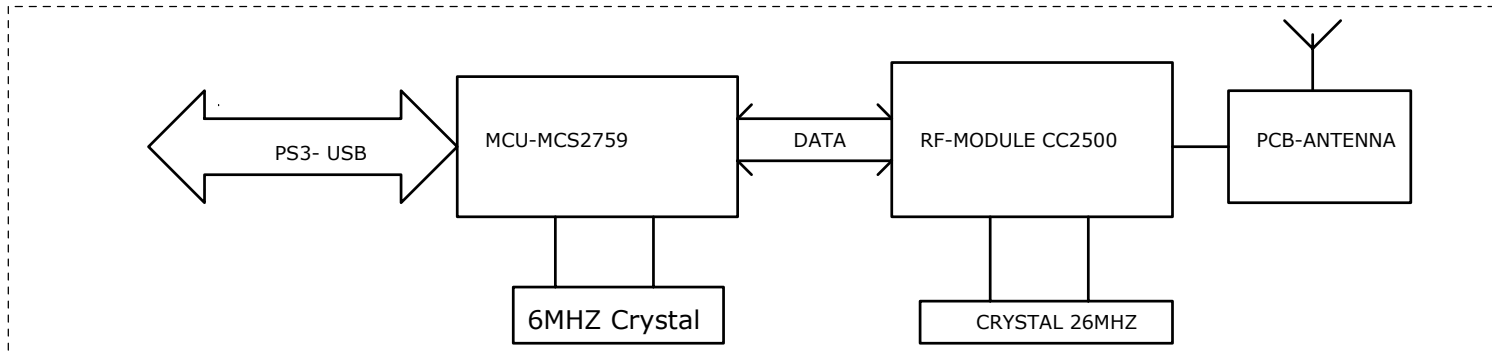
LTR	ECO NO:	APPROVED:	DATE:

Controller side



POWER 3.0V

Host side



COMPANY: EVER SPARKLE TECHNOLOGIES LTD

TITLE: PS3-003

DRAWN: HANSON	DATED: 2007-08-16
CHECKED:	DATED:
QUALITY CONTROL:	DATED:
RELEASED:	DATED:

CODE: <Code>	SIZE: B	DRAWING NO: 1	REV: A
SCALE: <Scale>			SHEET: 1 of 1

D

D

C

C

B

B

A

A