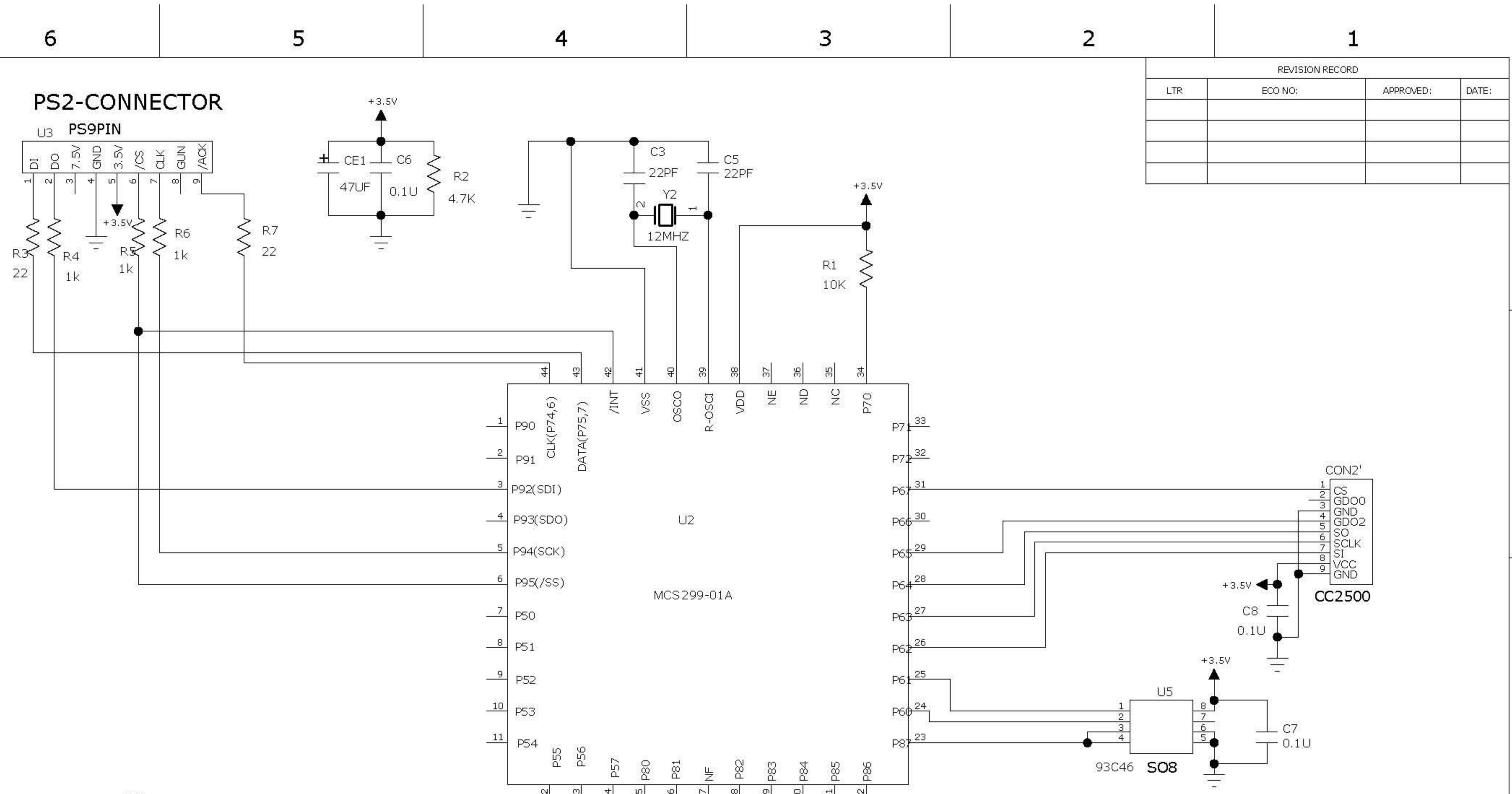


REVISION RECORD			
LTR	ECO NO:	APPROVED:	DATE:



COMPANY:				<b>EVER SPARKLE TECHNOLOGIES LTD</b>			
TITLE:				<b>DONGLE BOARD</b>			
CODE:	SIZE:	DRAWING NO:		REV:			
<b>&lt;Code&gt;</b>	<b>B</b>	<b>ps2-004</b>		<b>a</b>			
SCALE: <b>&lt;Scale&gt;</b>				SHEET: <b>5F 6</b>			

DRAWN:	<b>hanson</b>	DATED:	<b>11-27</b>
CHECKED:		DATED:	
QUALITY CONTROL:		DATED:	
RELEASED:		DATED:	

D  
C  
B  
A

D  
C  
B  
A

6

5

4

3

2

1

D

D

C

C

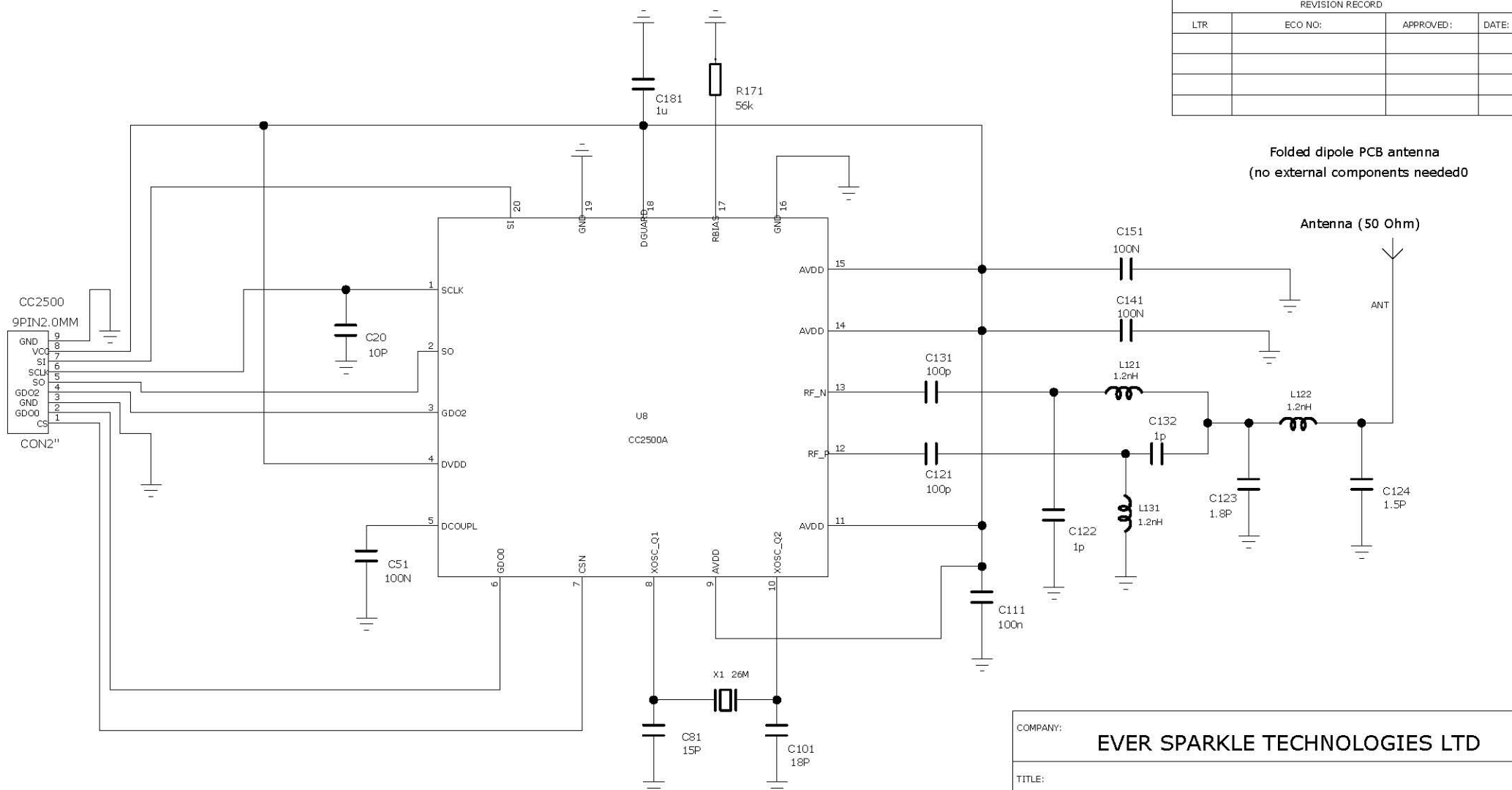
B

B

A

A

REVISION RECORD			
LTR	ECO NO:	APPROVED:	DATE:



Folded dipole PCB antenna  
(no external components needed)

Antenna (50 Ohm)

COMPANY:			
EVER SPARKLE TECHNOLOGIES LTD			
TITLE:			
RF-MODEL 2.4GHZ			
CODE:	SIZE:	DRAWING NO:	REV:
<Code>	B	ps2-004	a
SCALE: <Scale>			SHEET: 6 OF 6

DRAWN:	DATED:
hanson	11-27
CHECKED:	DATED:
QUALITY CONTROL:	DATED:
RELEASED:	DATED: