

6

5

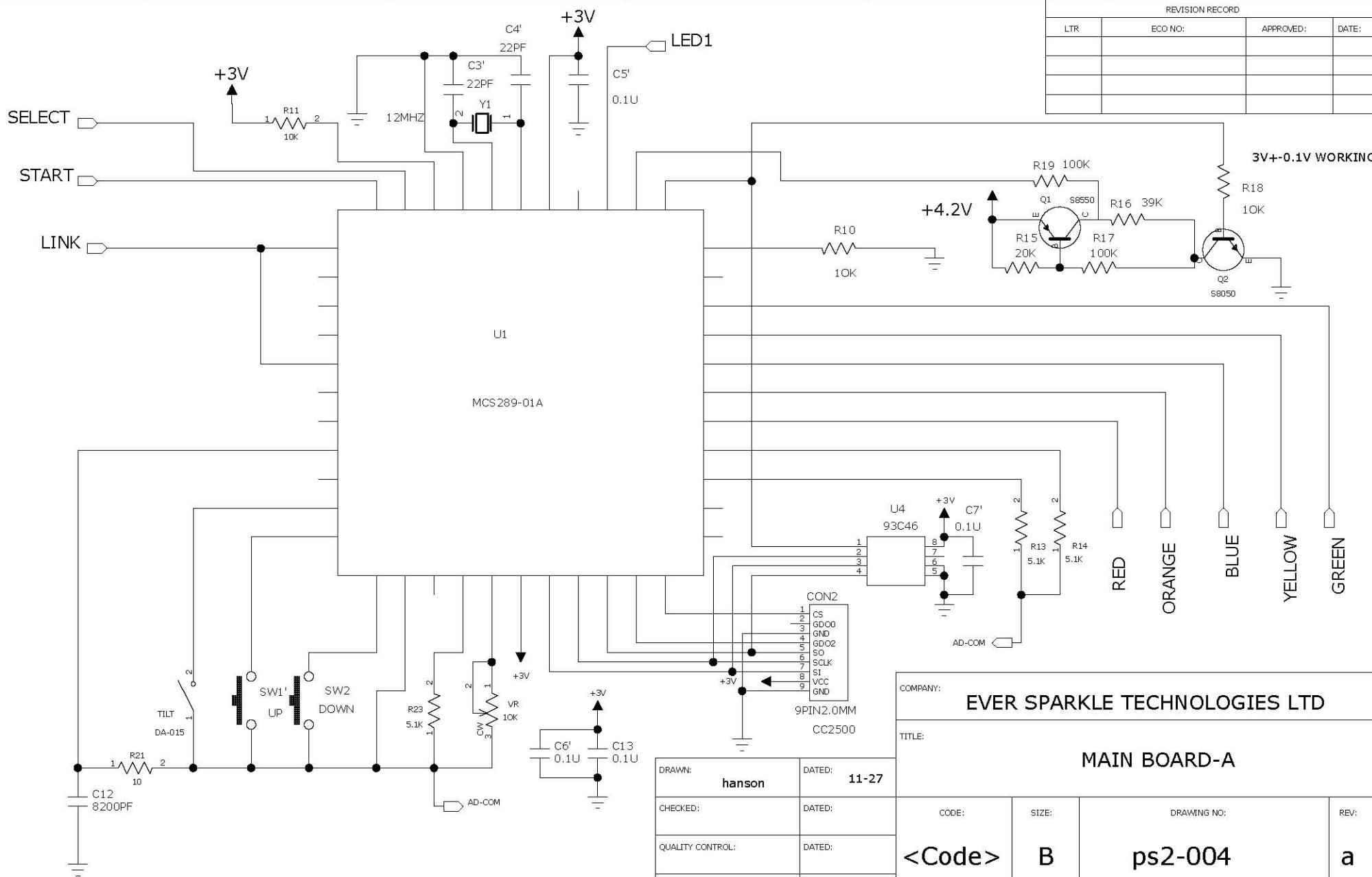
4

3

2

1

REVISION RECORD			
LTR	ECO NO:	APPROVED:	DATE:



COMPANY:			
EVER SPARKLE TECHNOLOGIES LTD			
TITLE:			
MAIN BOARD-A			
CODE:	SIZE:	DRAWING NO:	REV:
<Code>	B	ps2-004	a
SCALE: <Scale>			SHEET: 1F 6

DRAWN:	DATED:
hanson	11-27
CHECKED:	DATED:
QUALITY CONTROL:	DATED:
RELEASED:	DATED:

D

D

C

C

B

B

A

A

6

5

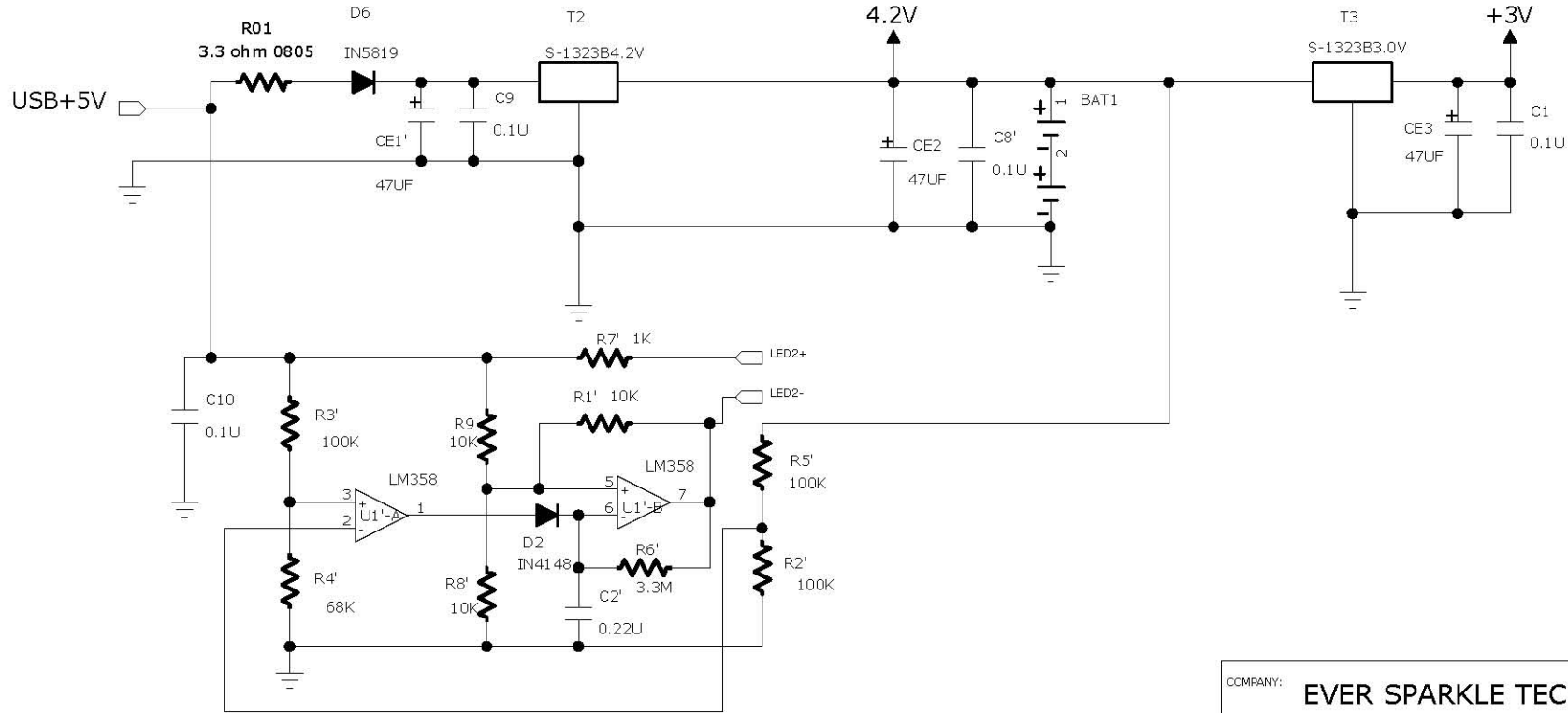
4

3

2

1

REVISION RECORD			
LTR	ECO NO:	APPROVED:	DATE:



COMPANY: EVER SPARKLE TECHNOLOGIES LTD			
TITLE: MAIN BOARD -B			
CHECKED:	DATED:	CODE:	SIZE:
		<Code>	B
QUALITY CONTROL:	DATED:	DRAWING NO:	
RELEASED:	DATED:	REV:	
		a	
SCALE: <Scale>			SHEET: 2F 6

DRAWN: hanson	DATED: 11-27
CHECKED:	DATED:
QUALITY CONTROL:	DATED:
RELEASED:	DATED:

D

C

B

A

D

C

B

A

6

5

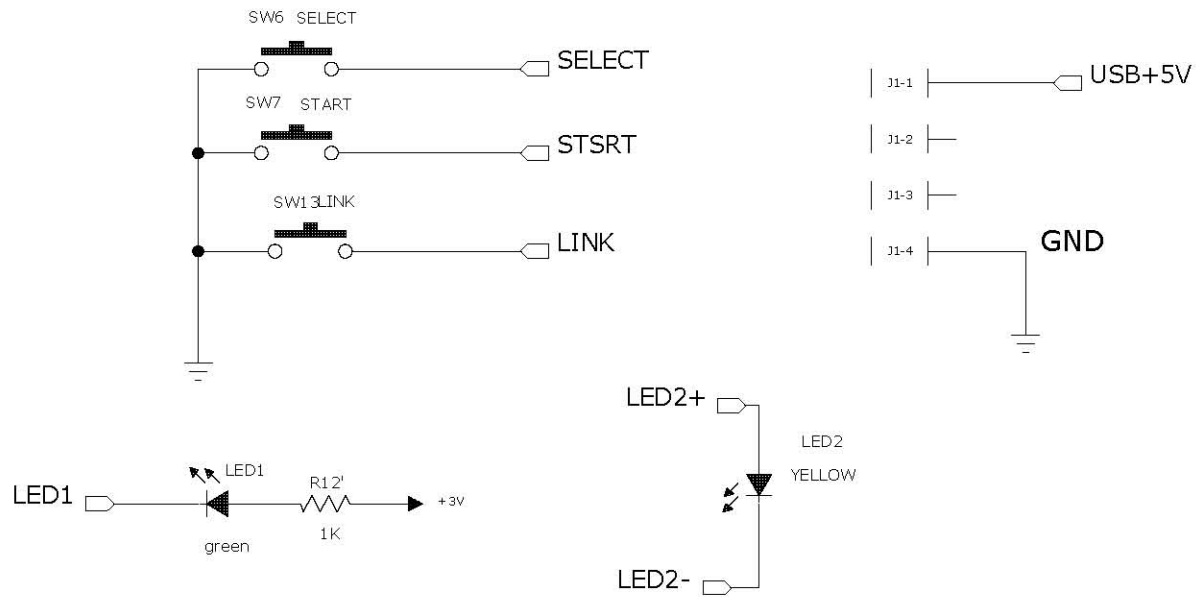
4

3

2

1

REVISION RECORD			
LTR	ECO NO:	APPROVED:	DATE:



COMPANY: EVER SPARKLE TECHNOLOGIES LTD			
TITLE: KEY2- START..			
CODE:	SIZE:	DRAWING NO:	REV:
<Code>	B	ps2-004	a
SCALE: <Scale>			SHEET: 3F 6

DRAWN:	hanson	DATED:	11-27
CHECKED:		DATED:	
QUALITY CONTROL:		DATED:	
RELEASED:		DATED:	

D

D

C

C

B

B

A

A

6

5

4

3

2

1

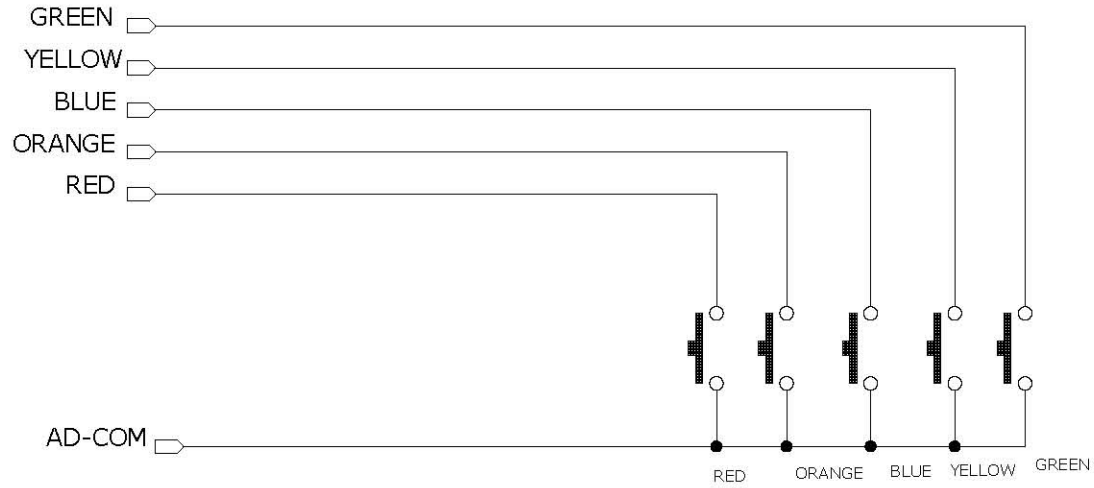
D

C

B

A

REVISION RECORD			
LTR	ECO NO:	APPROVED:	DATE:



COMPANY: EVER SPARKLE TECHNOLOGIES LTD			
TITLE: KEY1-GREEN			
CODE:	SIZE:	DRAWING NO:	REV:
<Code>	B	ps2-004	a
SCALE: <Scale>			SHEET: 4F 6

DRAWN: hanson	DATED: 11-27
CHECKED:	DATED:
QUALITY CONTROL:	DATED:
RELEASED:	DATED:

D

C

B

A

6

5

4

3

2

1

D

D

C

C

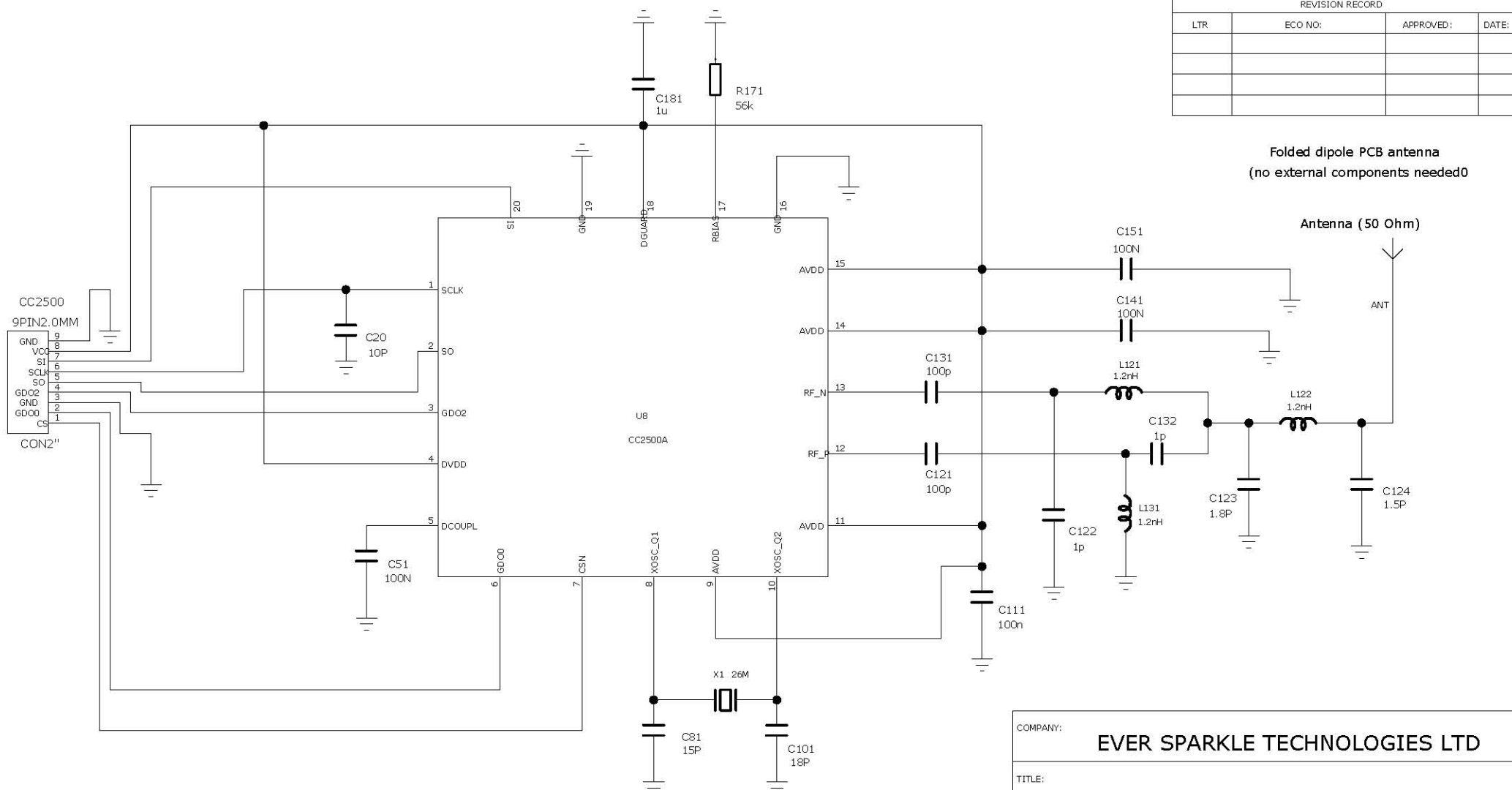
B

B

A

A

REVISION RECORD			
LTR	ECO NO:	APPROVED:	DATE:



Folded dipole PCB antenna
(no external components needed)

Antenna (50 Ohm)

COMPANY:			
EVER SPARKLE TECHNOLOGIES LTD			
TITLE:			
RF-MODEL 2.4GHZ			
CODE:	SIZE:	DRAWING NO:	REV:
<Code>	B	ps2-004	a
SCALE: <Scale>			SHEET: 6 OF 6

DRAWN:	DATED:
hanson	11-27
CHECKED:	DATED:
QUALITY CONTROL:	DATED:
RELEASED:	DATED: