

6

5

4

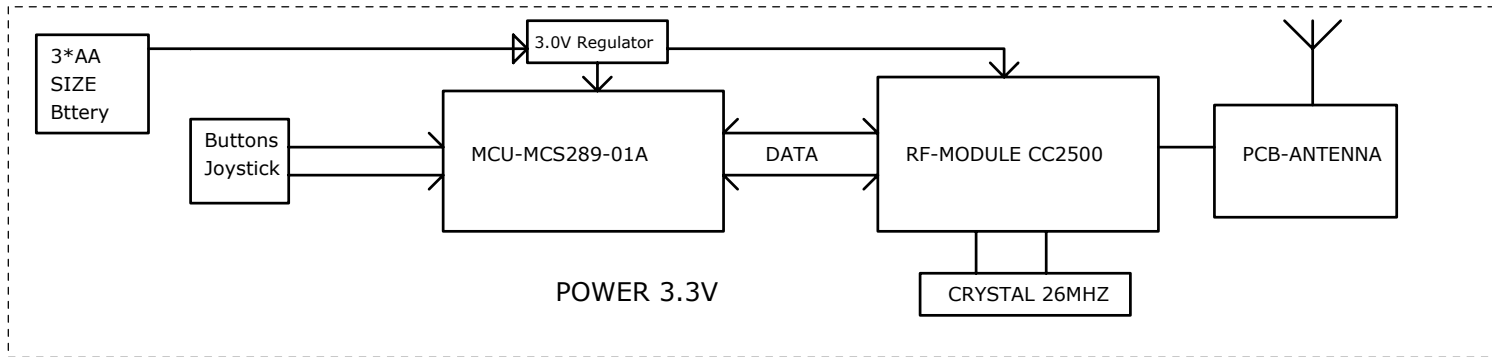
3

2

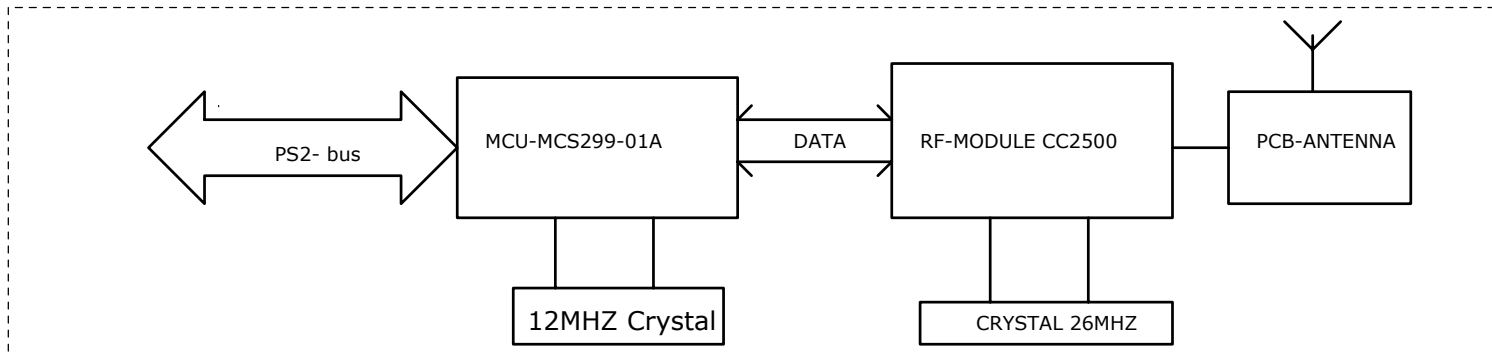
1

REVISION RECORD			
LTR	ECO NO:	APPROVED:	DATE:

### Conrtroller side



### Host side



COMPANY: EVER SPARKLE TECHNOLOGIES LTD

TITLE: PS2-004

DRAWN: HANSON	DATED: 2006-11-8
CHECKED:	DATED:
QUALITY CONTROL:	DATED:
RELEASED:	DATED:

CODE: <Code>	SIZE: B	DRAWING NO: 1	REV: A
SCALE: <Scale>			SHEET: 1 of 1

D

D

C

C

B

B

A

A