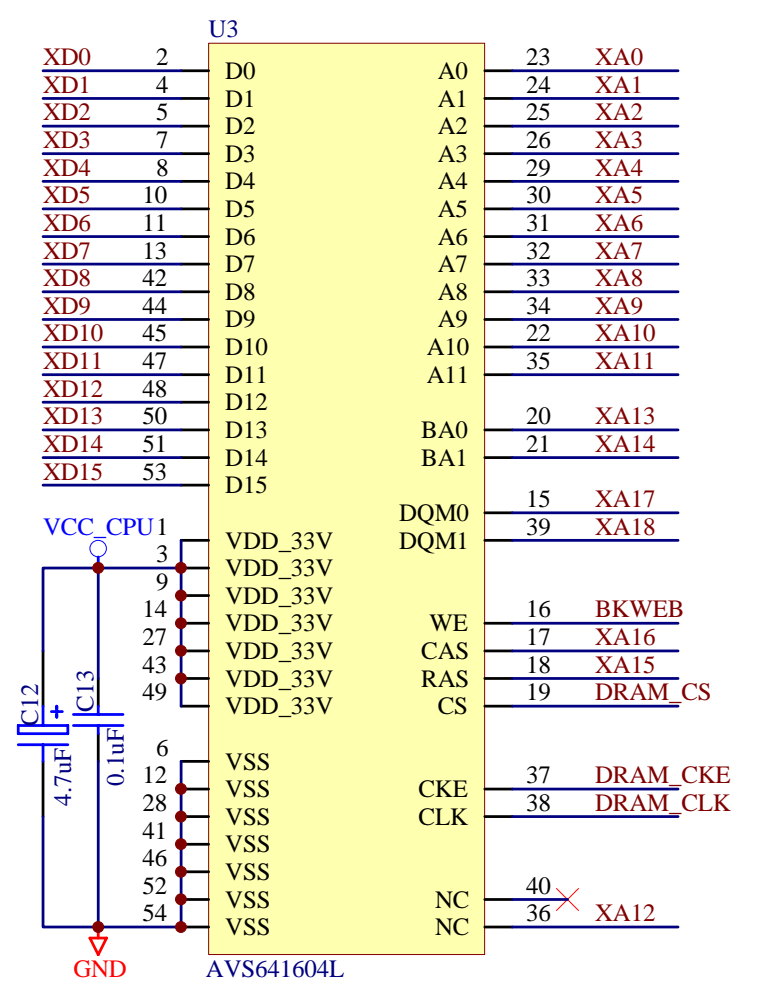
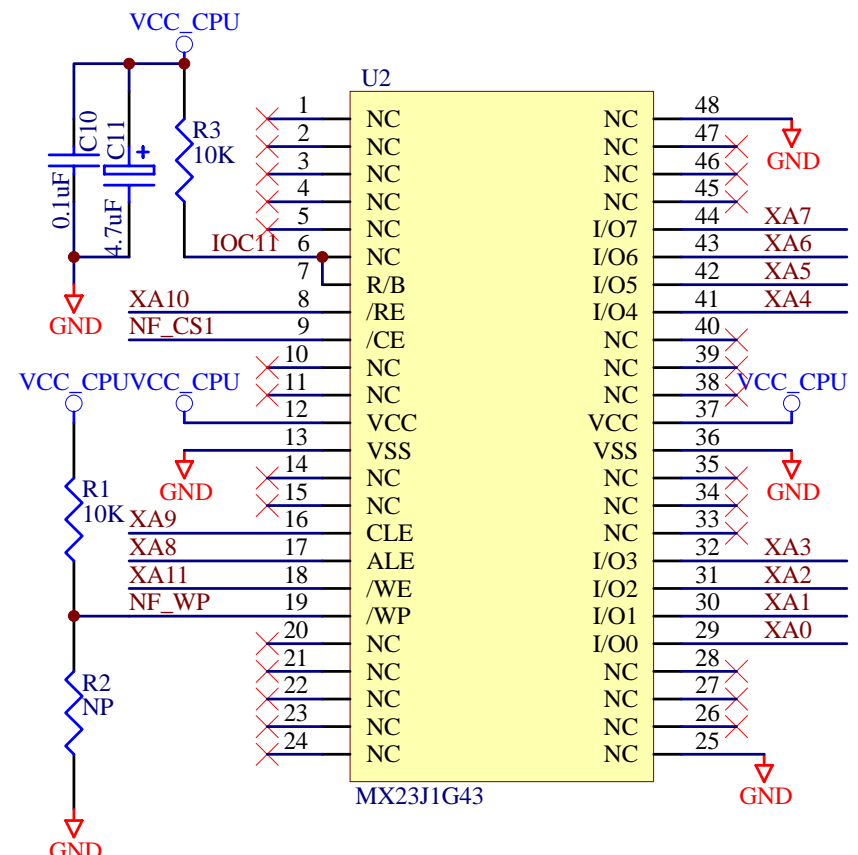
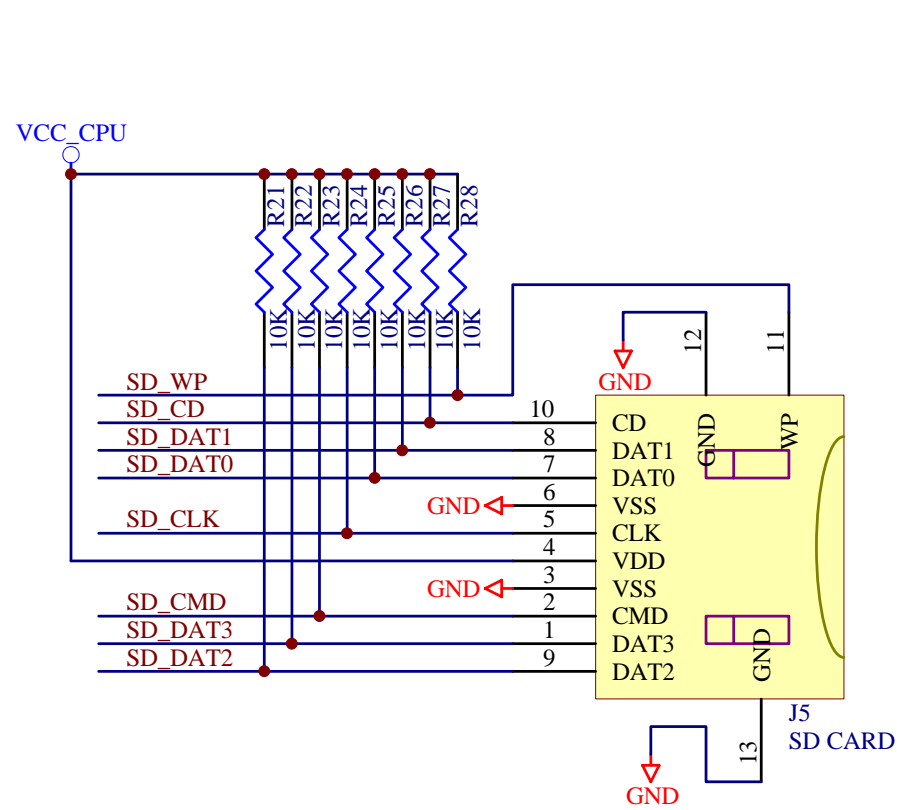


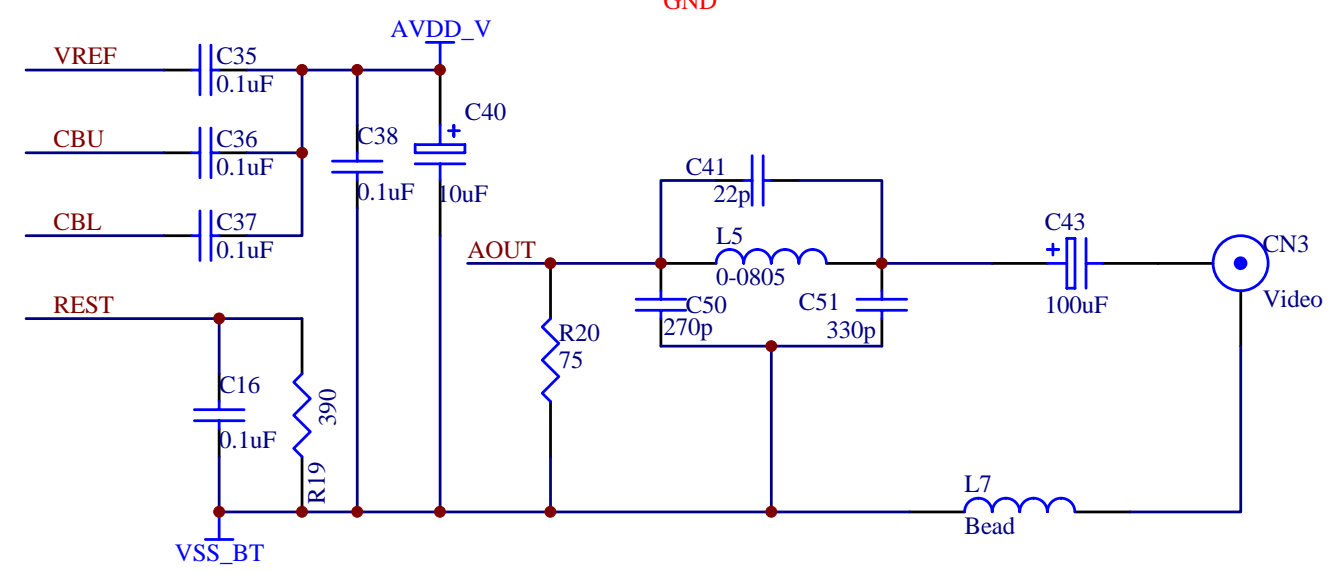
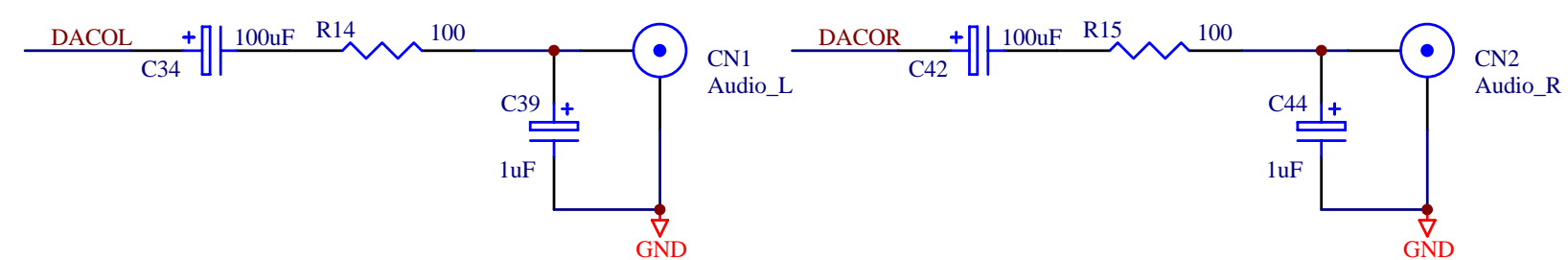
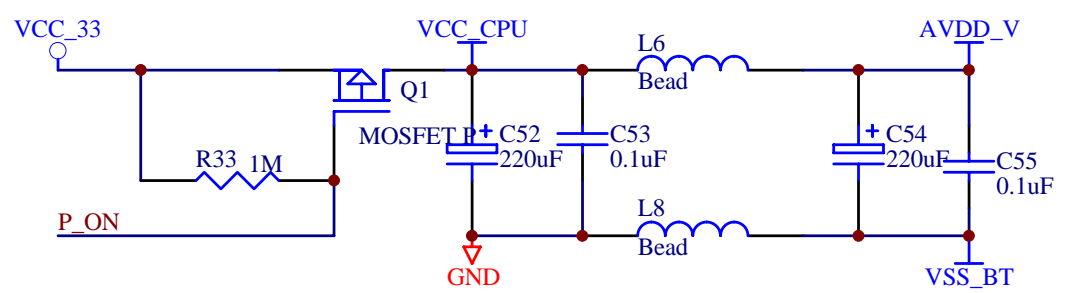
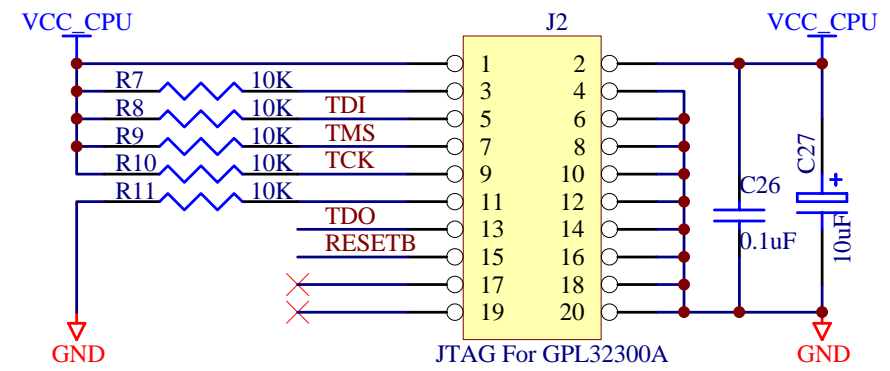
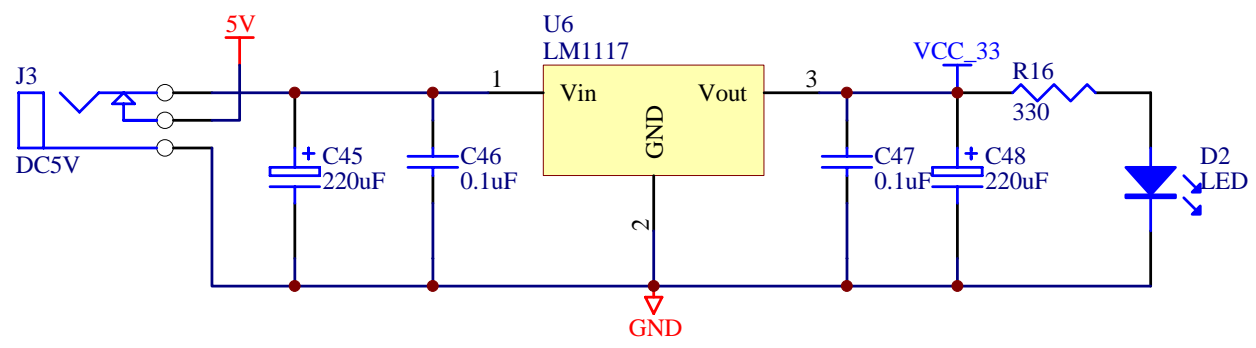
IOB3 = 1 is Program from USB
IOB3 = 0 is normal

BM1 = 1 is Boot from SDRAM
BM1 = 0 is Boot from Nand

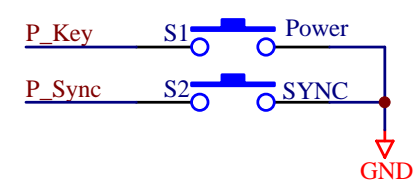
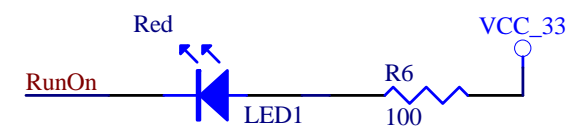
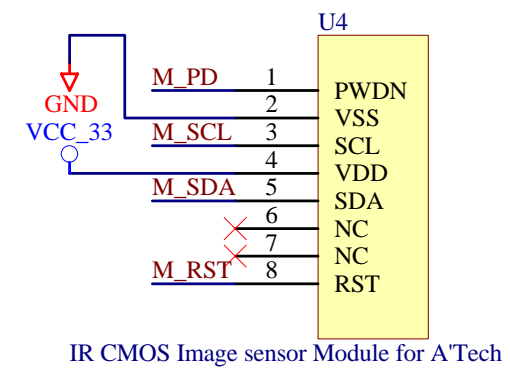
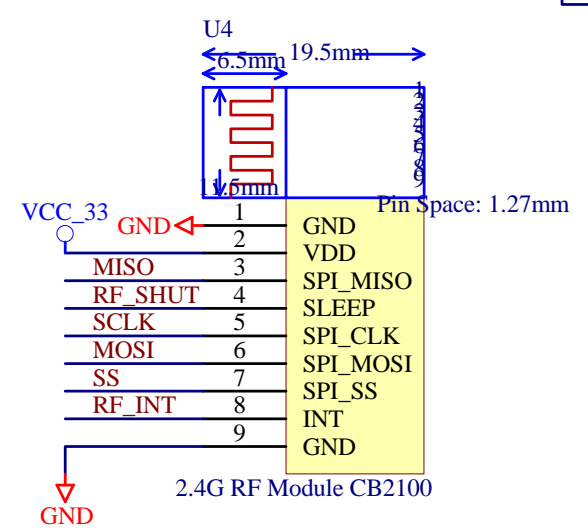
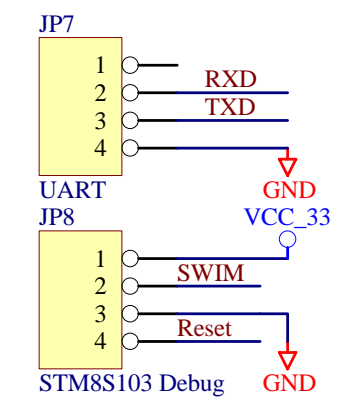
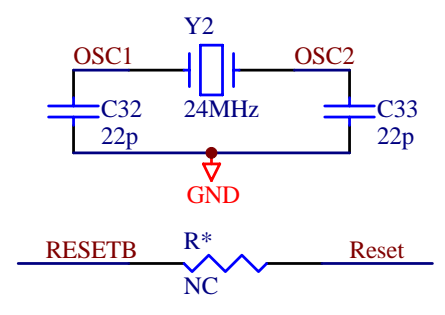
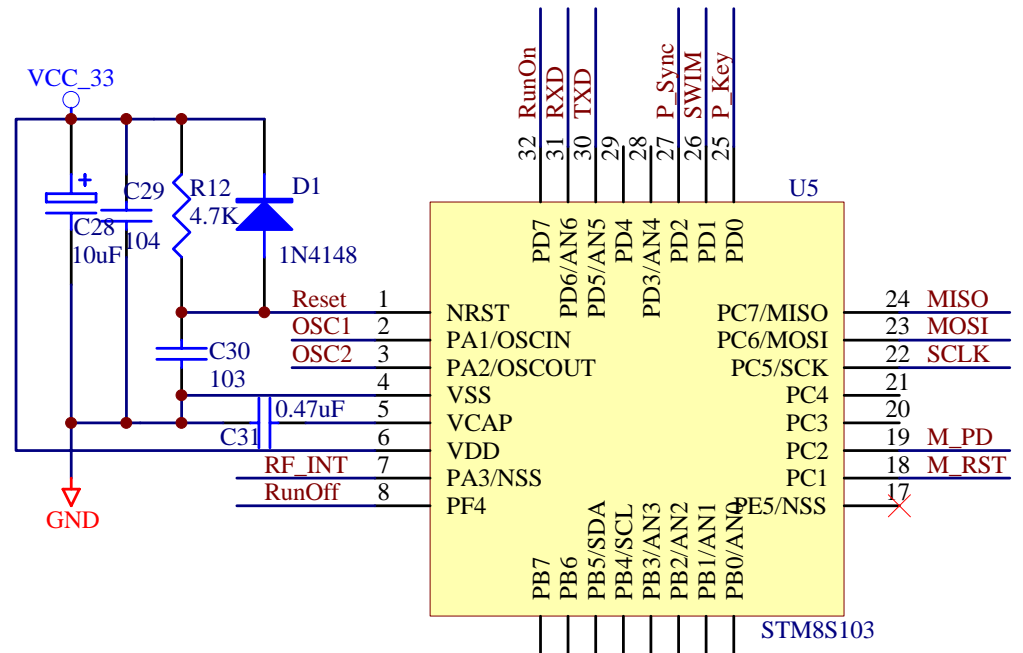
Title		
TV Plug-In Game Host SCH --- CPU Core		
Size	Number	Revision
A3		V14
Date:	16-Mar-2011	Sheet of
File:	D:\V14\TV Plug-In Game SCH_V14.Ddb	Drawn By: Ben Zhang



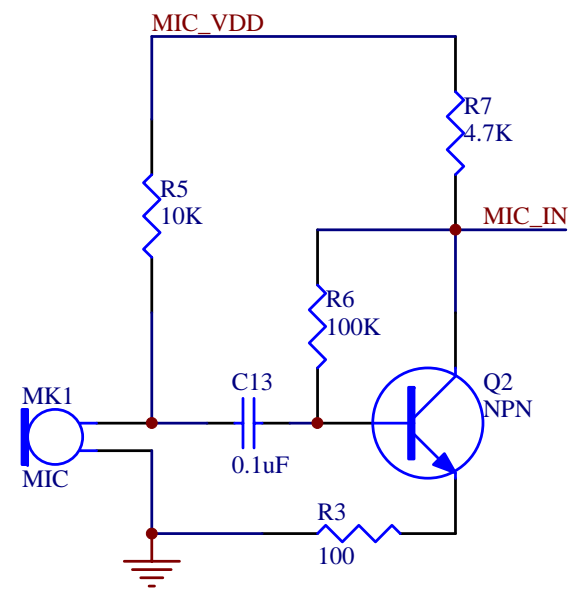
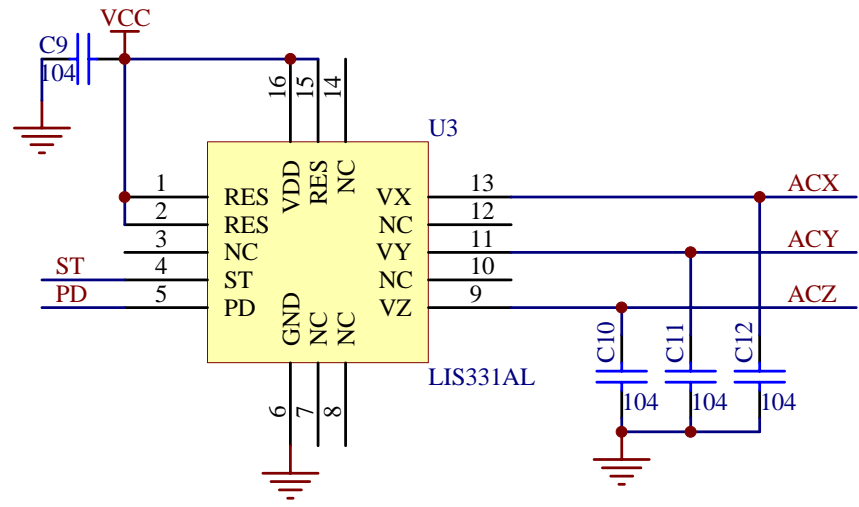
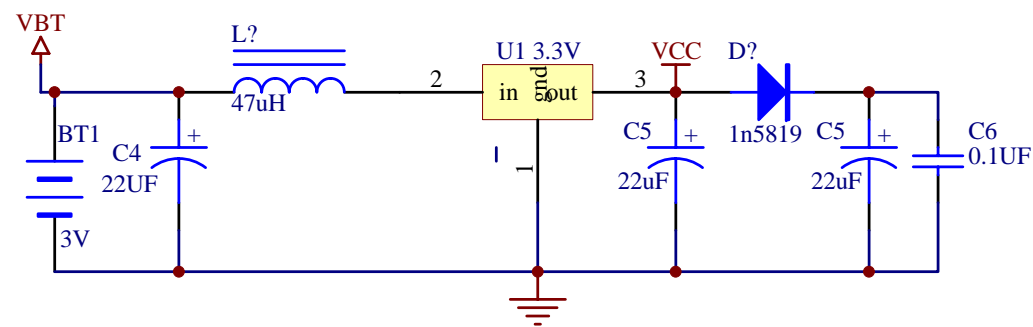
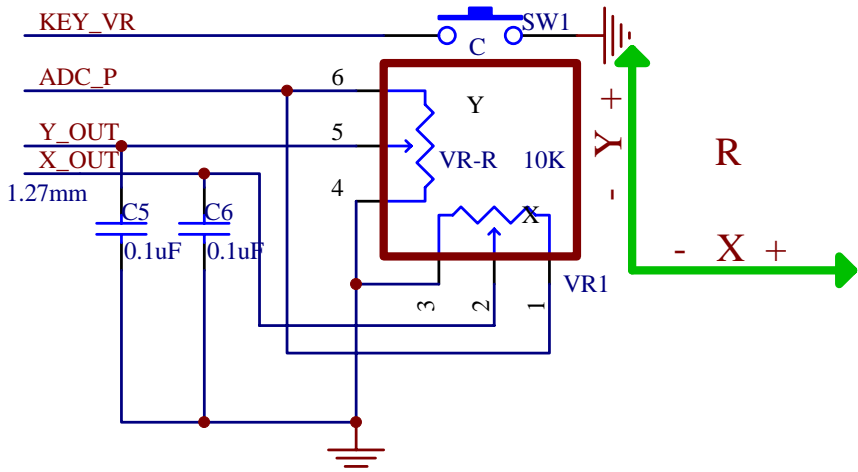
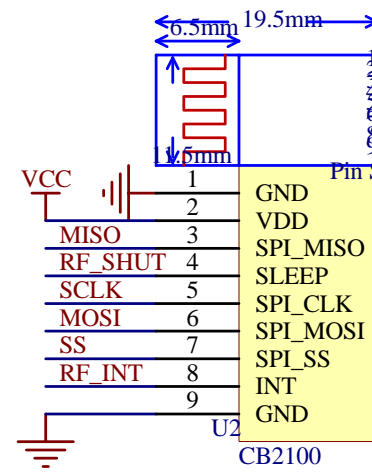
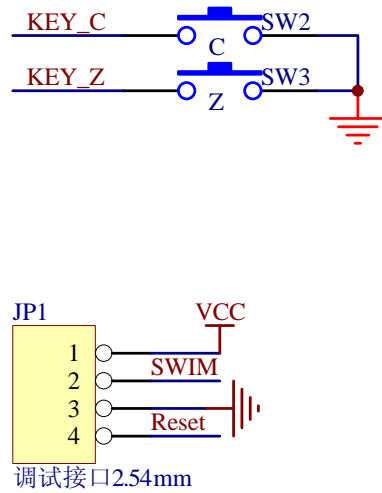
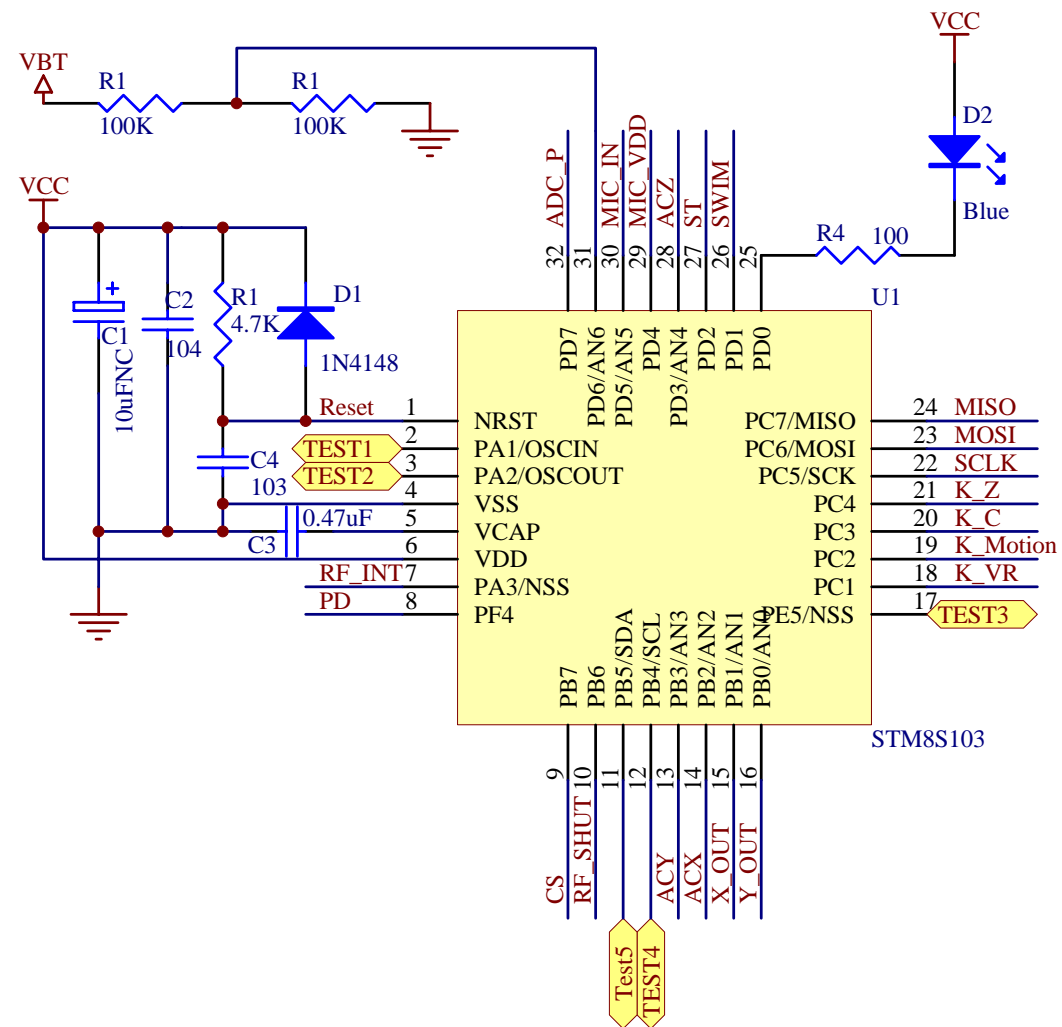
Title		
TV Plug-In Game Host SCH --- Memory		
Size	Number	Revision
A4		V14
Date:	16-Mar-2011	Sheet of
File:	D:\V14\TV Plug-In Game SCH_V14.Ddb	Drawn By: Ben Zhang



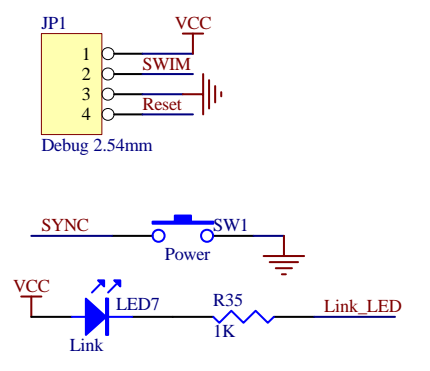
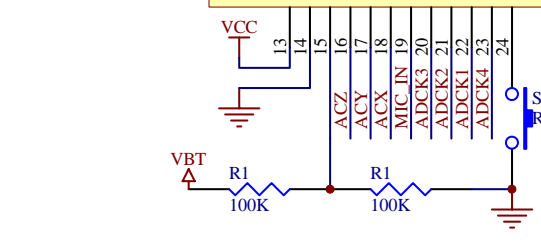
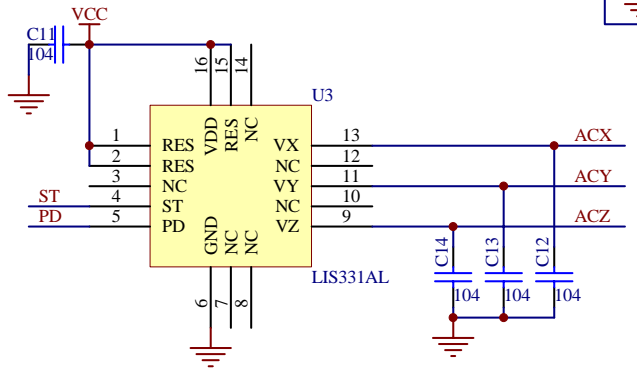
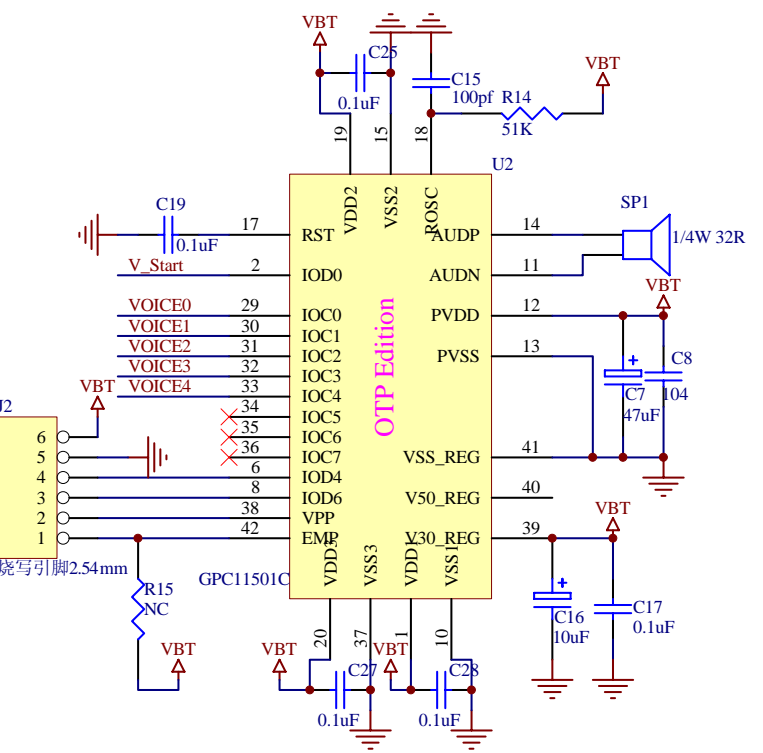
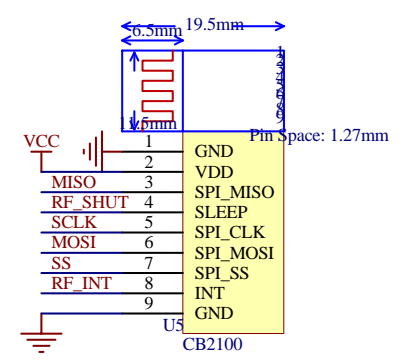
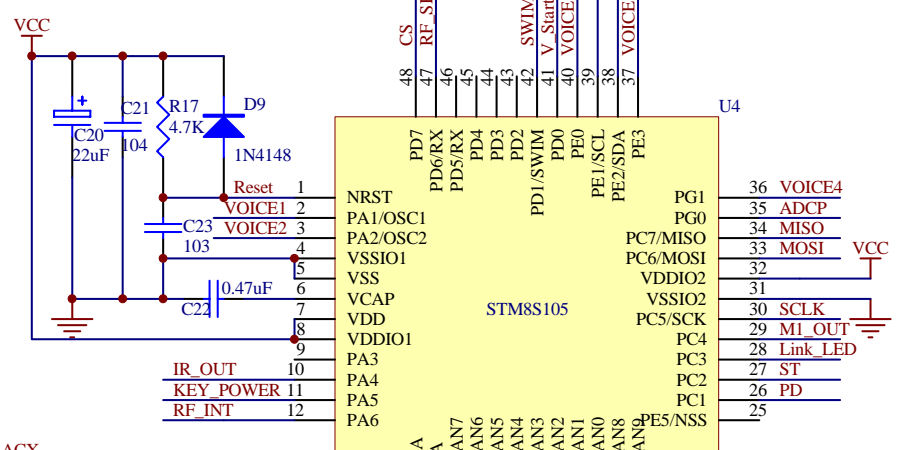
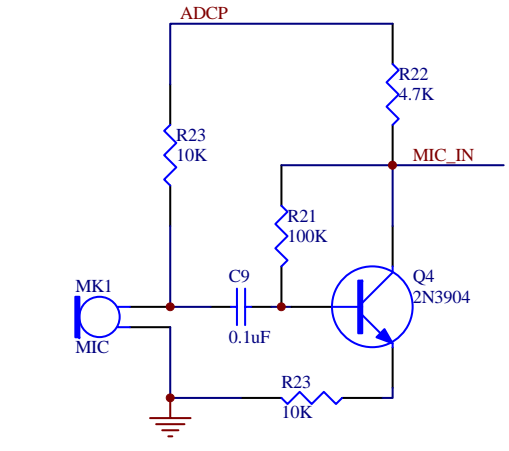
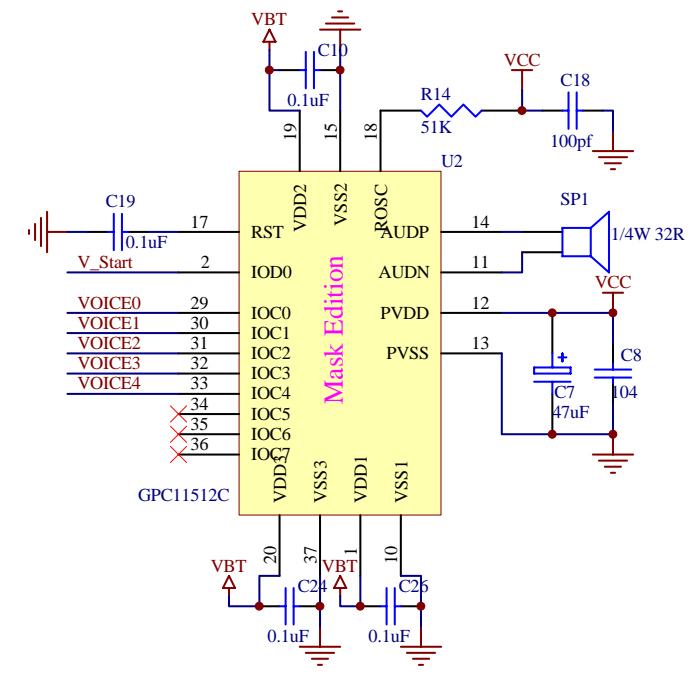
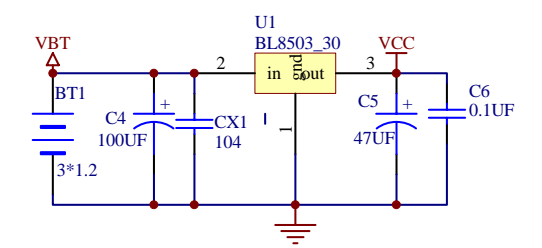
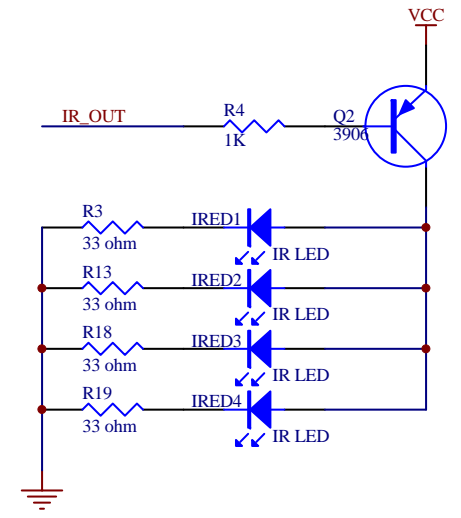
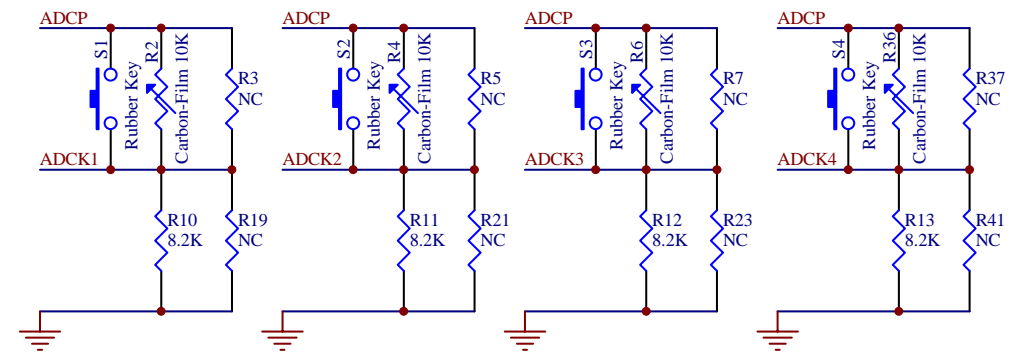
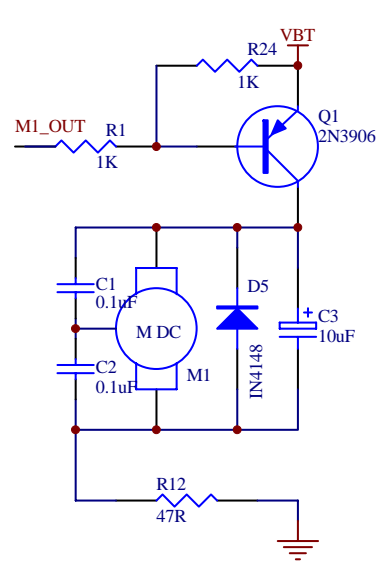
Title			TV Plug-In Game Host SCH --- Interface		
Size	Number	Revision		V14	
A4					
Date:	16-Mar-2011	Sheet of			
File:	D:\V14\TV Plug-In Game SCH_V14.Ddb	Drawn By:	Ben Zhang		



Title		
TV Plug-In Game Host SCH --- InputDevice		
Size	Number	Revision
A4		V14
Date:	16-Mar-2011	Sheet of
File:	D:\V14\TV Plug-In Game SCH_V14.Ddb	Drawn By: Ben Zhang



Title		
TV Plug-In Game Joystick SCH --- Left Hand		
Size	Number	Revision
A4		V14
Date:	16-Mar-2011	Sheet of
File:	D:\V14\TV Plug-In Game SCH_V14.Ddb	Drawn By: Ben Zhang



Title		
TV Plug-In Game Joystick SCH --- Right Hand		
Size	Number	Revision
A3		V14
Date:	16-Mar-2011	Sheet of
File:	D:\V14\TV Plug-In Game SCH_V14.Ddb	Drawn By:
		Ben Zhang