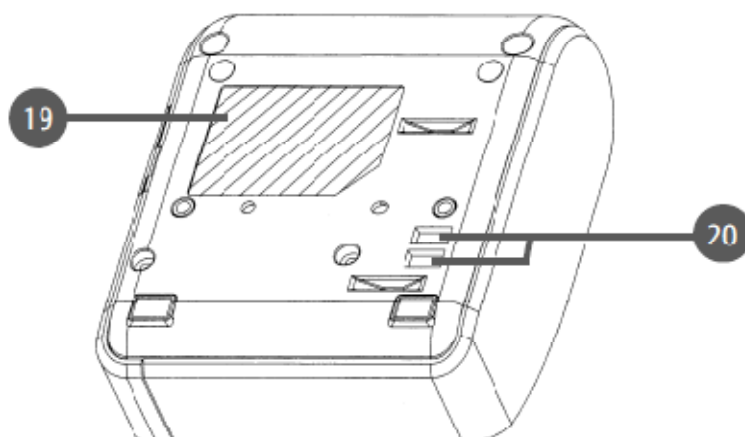


■ Side



- 19 Product Label** : Displays printer type and other product information.
- 20 Charge Terminal** : Charge with the Cradle (Optional)